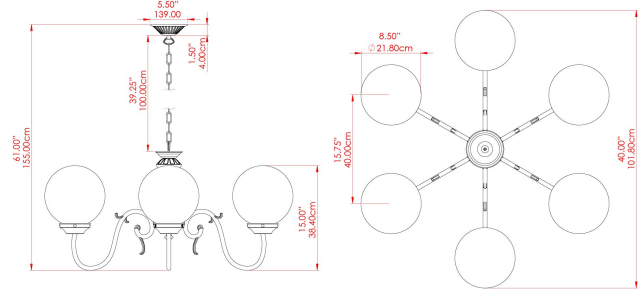


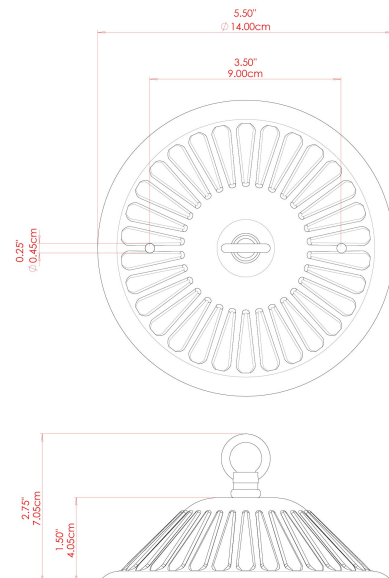
# CARNEW Chandelier

# MLF005ANTBRS Antique Brass



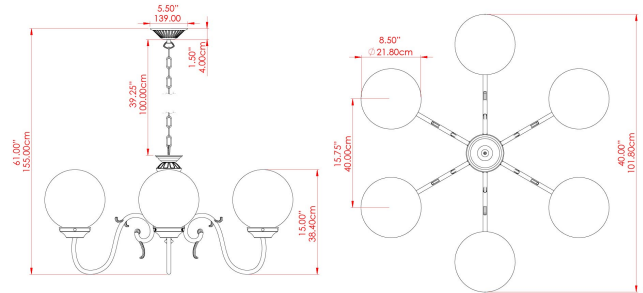
MATERIAL	Brass
HEIGHT	15.75"
WIDTH   DIAMETER	37.5"
LENGTH   PROJECTION	n/a
WEIGHT	12 kg   26.5 lbs
LAMPHOLDER	E12
MAX WATTAGE	40W
VOLTAGE	110/120v
ENVIRONMENTAL RATING	Dry Location (IP20)
CLASS PROTECTION	Class I
SHADE	GL044E
FLEX   BAR   CHAIN LENGTH	40"
CABLE TYPE	MLCA010   Brown PVC Flexible Cable   2 Core

### FIXING BRACKET: MLROSE12



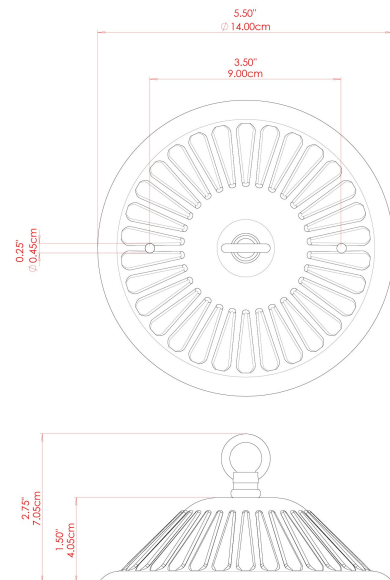
Product Notes:  
 1) Bulbs not included. 2) Dimensions do not include bulbs. 3) All products are individually made-to-order and therefore may differ slightly within manufacturing tolerances. 4) Cable / chain can be shortened during installation. Longer cable / chain lengths available on request. 5) Additional color finishes may be available on request. 6) Twisted cable is not available for UL wired products. Round cable in black or brown only is supplied instead. 7) Refer to our website for a full list of terms and conditions.





MATERIAL	Brass
HEIGHT	15.75"
WIDTH   DIAMETER	37.5"
LENGTH   PROJECTION	n/a
WEIGHT	12 kg   26.5 lbs
LAMPHOLDER	E12
MAX WATTAGE	40W
VOLTAGE	110/120v
ENVIRONMENTAL RATING	Dry Location (IP20)
CLASS PROTECTION	Class I
SHADE	GL044E
FLEX   BAR   CHAIN LENGTH	40"
CABLE TYPE	MLCA014   Clear PVC Flexible Cable   2 Core

### FIXING BRACKET: MLROSE12



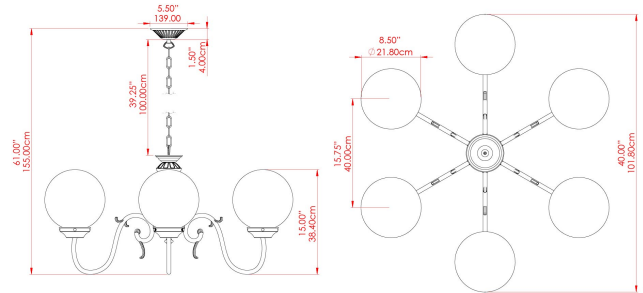
Product Notes:  
 1) Bulbs not included. 2) Dimensions do not include bulbs. 3) All products are individually made-to-order and therefore may differ slightly within manufacturing tolerances. 4) Cable / chain can be shortened during installation. Longer cable / chain lengths available on request. 5) Additional color finishes may be available on request. 6) Twisted cable is not available for UL wired products. Round cable in black or brown only is supplied instead. 7) Refer to our website for a full list of terms and conditions.





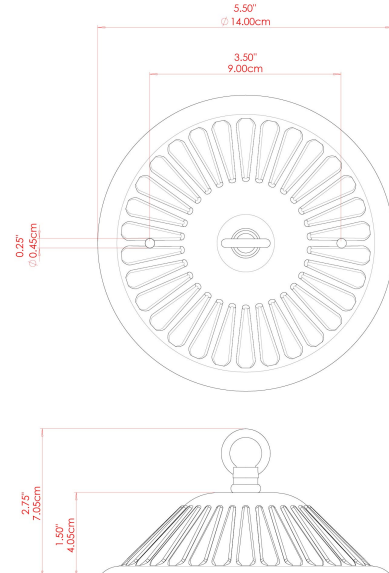
# CARNEW Chandelier

MLF005POLBRS Polished Brass



MATERIAL	Brass
HEIGHT	15.75"
WIDTH   DIAMETER	37.5"
LENGTH   PROJECTION	n/a
WEIGHT	12 kg   26.5 lbs
LAMPHOLDER	E12
MAX WATTAGE	40W
VOLTAGE	110/120v
ENVIRONMENTAL RATING	Dry Location (IP20)
CLASS PROTECTION	Class I
SHADE	GL044E
FLEX   BAR   CHAIN LENGTH	40"
CABLE TYPE	MLCA038   Gold PVC Flexible Cable   2 Core

## FIXING BRACKET: MLROSE12



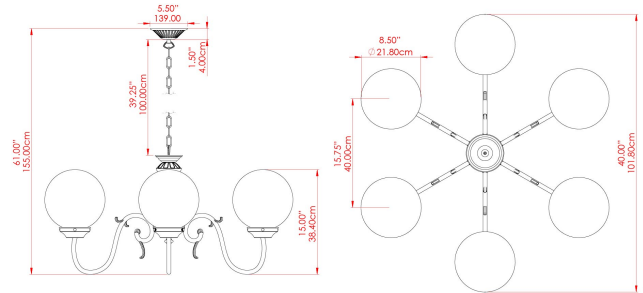
Product Notes:  
 1) Bulbs not included. 2) Dimensions do not include bulbs. 3) All products are individually made-to-order and therefore may differ slightly within manufacturing tolerances. 4) Cable / chain can be shortened during installation. Longer cable / chain lengths available on request. 5) Additional color finishes may be available on request. 6) Twisted cable is not available for UL wired products. Round cable in black or brown only is supplied instead. 7) Refer to our website for a full list of terms and conditions.





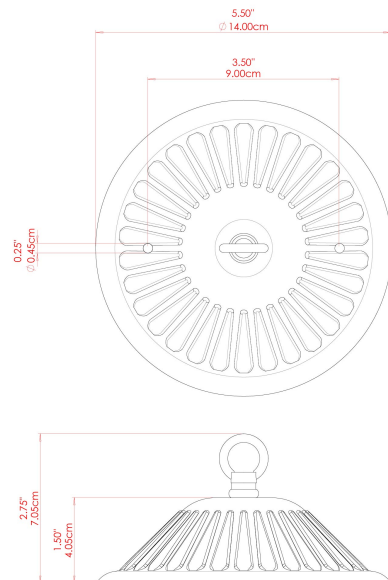
# CARNEW Chandelier

MLF005SATBRS Satin Brass



MATERIAL	Brass
HEIGHT	37.5"
WIDTH   DIAMETER	15.75"
LENGTH   PROJECTION	n/a
WEIGHT	12 kg   26.5 lbs
LAMPHOLDER	E12
MAX WATTAGE	40W
VOLTAGE	110/120v
ENVIRONMENTAL RATING	Dry Location (IP20)
CLASS PROTECTION	Class I
SHADE	GL044E
FLEX   BAR   CHAIN LENGTH	40"
CABLE TYPE	MLCA038   Gold PVC Flexible Cable   2 Core

### FIXING BRACKET: MLROSE12



Product Notes:  
 1) Bulbs not included. 2) Dimensions do not include bulbs. 3) All products are individually made-to-order and therefore may differ slightly within manufacturing tolerances. 4) Cable / chain can be shortened during installation. Longer cable / chain lengths available on request. 5) Additional color finishes may be available on request. 6) Twisted cable is not available for UL wired products. Round cable in black or brown only is supplied instead. 7) Refer to our website for a full list of terms and conditions.

