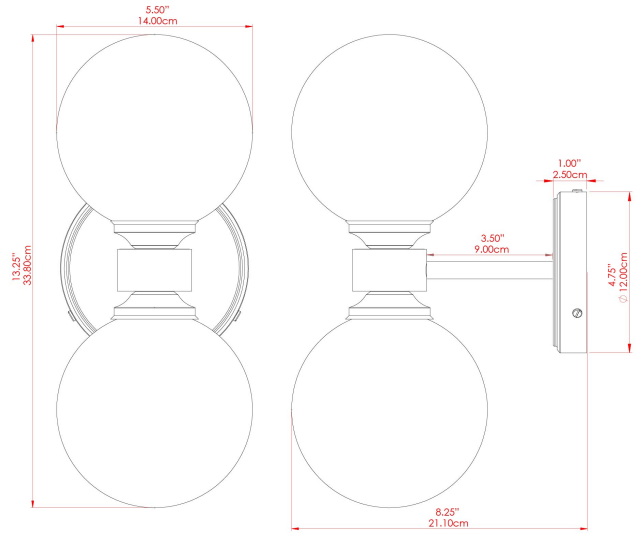


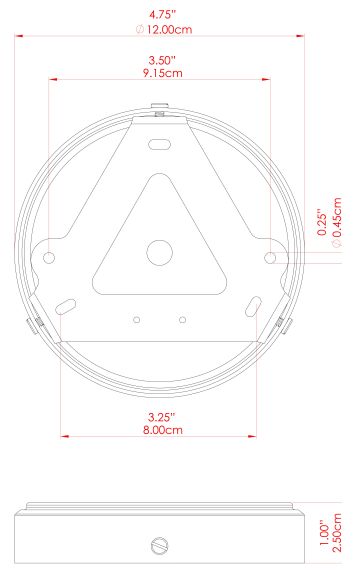
# KOBE Ceramic Wall Light

## MLCMWL046ANTBRS Antique Brass



MATERIAL	Brass   Ceramic
HEIGHT	13.5"
WIDTH   DIAMETER	5.5"
LENGTH   PROJECTION	8.25"
WEIGHT	1.8 kg   4 lbs
LAMPHOLDER	G9
MAX WATTAGE	5W
VOLTAGE	110/120v
ENVIRONMENTAL RATING	Dry Location (IP20)
CLASS PROTECTION	Class I
SHADE	GL044F   MLCS079
FLEX   BAR   CHAIN LENGTH	n/a
CABLE TYPE	

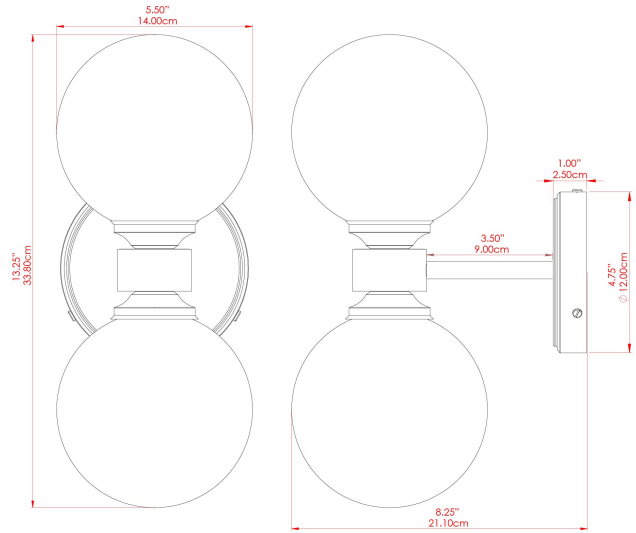
### FIXING BRACKET: MLWB17





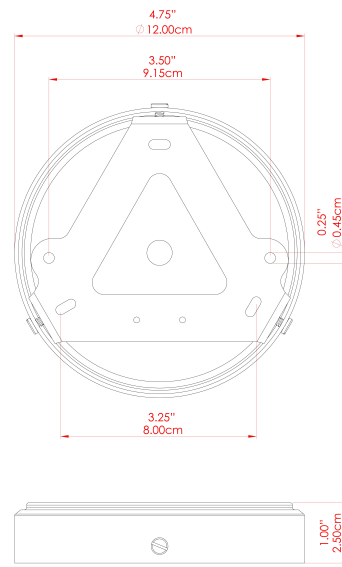
## KOBE Ceramic Wall Light

MLCMWL046ANTSLV Antique Silver



MATERIAL	Brass   Ceramic
HEIGHT	13.5"
WIDTH   DIAMETER	5.5"
LENGTH   PROJECTION	8.25"
WEIGHT	1.8 kg   4 lbs
LAMPHOLDER	G9
MAX WATTAGE	5W
VOLTAGE	110/120v
ENVIRONMENTAL RATING	Dry Location (IP20)
CLASS PROTECTION	Class I
SHADE	GL044F   MLCS079
FLEX   BAR   CHAIN LENGTH	n/a
CABLE TYPE	

### FIXING BRACKET: MLWB17



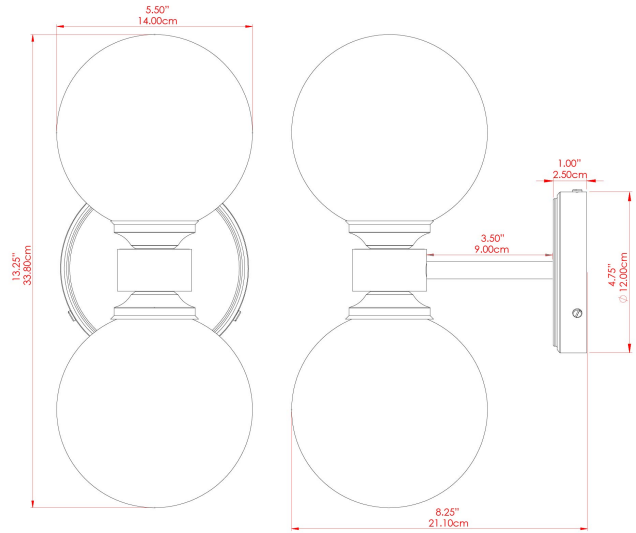
Product Notes:  
1) Bulbs not included. 2) Dimensions do not include bulbs. 3) All products are individually made-to-order and therefore may differ slightly within manufacturing tolerances. 4) Cable / chain can be shortened during installation. Longer cable / chain lengths available on request. 5) Additional color finishes may be available on request. 6) Twisted cable is not available for UL wired products. Round cable in black or brown only is supplied instead. 7) Refer to our website for a full list of terms and conditions.





# KOBE Ceramic Wall Light

MLCMWL046PCMBK Matt Black



MATERIAL	Brass   Ceramic
HEIGHT	13.5"
WIDTH   DIAMETER	5.5"
LENGTH   PROJECTION	8.25"
WEIGHT	1.8 kg   4 lbs
LAMPHOLDER	G9
MAX WATTAGE	5W
VOLTAGE	110/120v
ENVIRONMENTAL RATING	Dry Location (IP20)
CLASS PROTECTION	Class I
SHADE	GL044F   MLCS079
FLEX   BAR   CHAIN LENGTH	n/a
CABLE TYPE	

## FIXING BRACKET: MLWB17



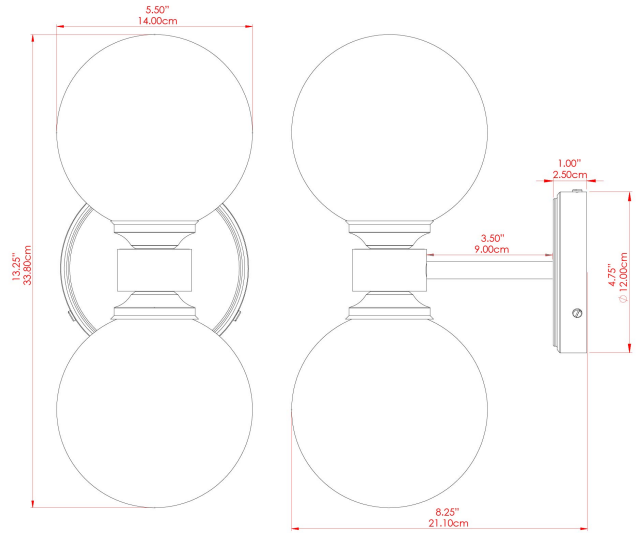
Product Notes:  
 1) Bulbs not included. 2) Dimensions do not include bulbs. 3) All products are individually made-to-order and therefore may differ slightly within manufacturing tolerances. 4) Cable / chain can be shortened during installation. Longer cable / chain lengths available on request. 5) Additional color finishes may be available on request. 6) Twisted cable is not available for UL wired products. Round cable in black or brown only is supplied instead. 7) Refer to our website for a full list of terms and conditions.





# KOBE Ceramic Wall Light

MLCMWL046POLBRS Polished Brass



MATERIAL	Brass   Ceramic
HEIGHT	13.5"
WIDTH   DIAMETER	5.5"
LENGTH   PROJECTION	8.25"
WEIGHT	1.8 kg   4 lbs
LAMPHOLDER	G9
MAX WATTAGE	5W
VOLTAGE	110/120v
ENVIRONMENTAL RATING	Dry Location (IP20)
CLASS PROTECTION	Class I
SHADE	GL044F   MLCS079
FLEX   BAR   CHAIN LENGTH	n/a
CABLE TYPE	

## FIXING BRACKET: MLWB17

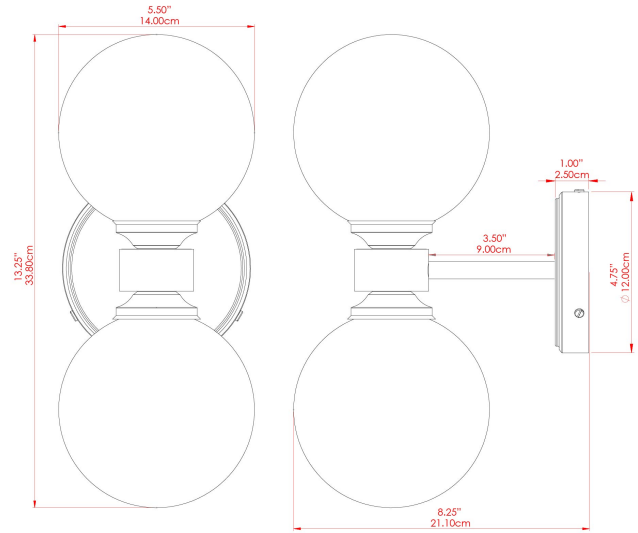


Product Notes:  
 1) Bulbs not included. 2) Dimensions do not include bulbs. 3) All products are individually made-to-order and therefore may differ slightly within manufacturing tolerances. 4) Cable / chain can be shortened during installation. Longer cable / chain lengths available on request. 5) Additional color finishes may be available on request. 6) Twisted cable is not available for UL wired products. Round cable in black or brown only is supplied instead. 7) Refer to our website for a full list of terms and conditions.



# KOBE Ceramic Wall Light

MLCMWL046SATBRS Satin Brass



MATERIAL	Brass   Ceramic
HEIGHT	13.5"
WIDTH   DIAMETER	5.5"
LENGTH   PROJECTION	8.25"
WEIGHT	1.8 kg   4 lbs
LAMPHOLDER	G9
MAX WATTAGE	5W
VOLTAGE	110/120v
ENVIRONMENTAL RATING	Dry Location (IP20)
CLASS PROTECTION	Class I
SHADE	GL044F   MLCS079
FLEX   BAR   CHAIN LENGTH	n/a
CABLE TYPE	

## FIXING BRACKET: MLWB17

