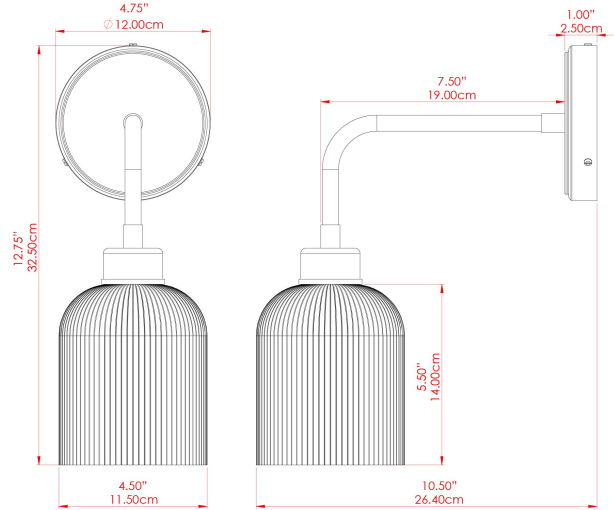


OSIER Ceramic Wall Light

MLCMWL043ANTBRS Antique Brass



MATERIAL	Brass Ceramic
HEIGHT	12.25"
WIDTH DIAMETER	4.75"
LENGTH PROJECTION	10.25"
WEIGHT	1.3 kg 2.8 lbs
LAMPHOLDER	E26
MAX WATTAGE	40W
VOLTAGE	110/120v
ENVIRONMENTAL RATING	Dry Location (IP20)
CLASS PROTECTION	Class I
SHADE	MLCS076
FLEX BAR CHAIN LENGTH	n/a
CABLE TYPE	

FIXING BRACKET: MLWB17| Antique Brass



Product Notes:
 1) Bulbs not included. 2) Dimensions do not include bulbs. 3) All products are individually made-to-order and therefore may differ slightly within manufacturing tolerances. 4) Cable / chain can be shortened during installation. Longer cable / chain lengths available on request. 5) Additional color finishes may be available on request. 6) Twisted cable is not available for UL wired products. Round cable in black or brown only is supplied instead. 7) Refer to our website for a full list of terms and conditions.

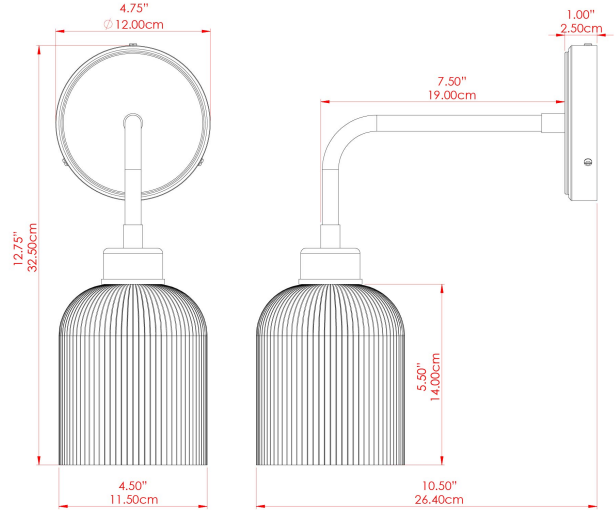


OSIER Ceramic Wall Light

MLCMWL043ANTSLV Antique Silver

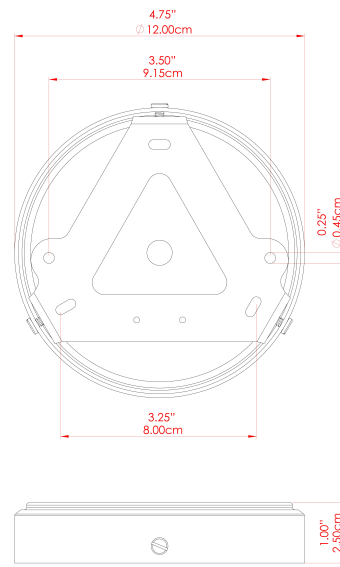


ANTIQUE SILVER



MATERIAL	Brass Ceramic
HEIGHT	12.25"
WIDTH DIAMETER	4.75"
LENGTH PROJECTION	10.25"
WEIGHT	1.3 kg 2.8 lbs
LAMPHOLDER	E26
MAX WATTAGE	40W
VOLTAGE	110/120v
ENVIRONMENTAL RATING	Dry Location (IP20)
CLASS PROTECTION	Class I
SHADE	MLCS076
FLEX BAR CHAIN LENGTH	n/a
CABLE TYPE	

FIXING BRACKET: MLWB17| Antique Silver

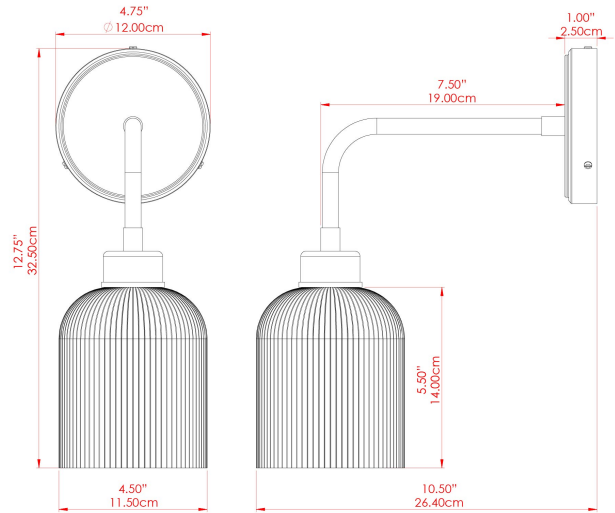


Product Notes:
 1) Bulbs not included. 2) Dimensions do not include bulbs. 3) All products are individually made-to-order and therefore may differ slightly within manufacturing tolerances. 4) Cable / chain can be shortened during installation. Longer cable / chain lengths available on request. 5) Additional color finishes may be available on request. 6) Twisted cable is not available for UL wired products. Round cable in black or brown only is supplied instead. 7) Refer to our website for a full list of terms and conditions.



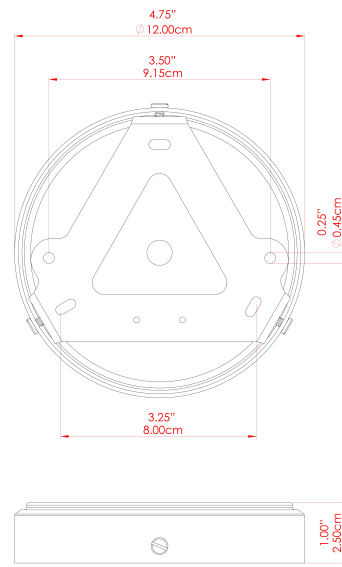
OSIER Ceramic Wall Light

MLCMWL043PCMBK Matt Black



MATERIAL	Brass Ceramic
HEIGHT	12.25"
WIDTH DIAMETER	4.75"
LENGTH PROJECTION	10.25"
WEIGHT	1.3 kg 2.8 lbs
LAMPHOLDER	E26
MAX WATTAGE	40W
VOLTAGE	110/120v
ENVIRONMENTAL RATING	Dry Location (IP20)
CLASS PROTECTION	Class I
SHADE	MLCS076
FLEX BAR CHAIN LENGTH	n/a
CABLE TYPE	

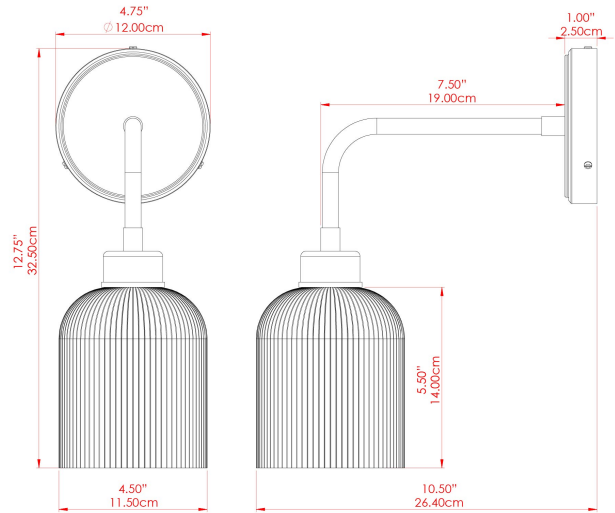
FIXING BRACKET: MLWB17





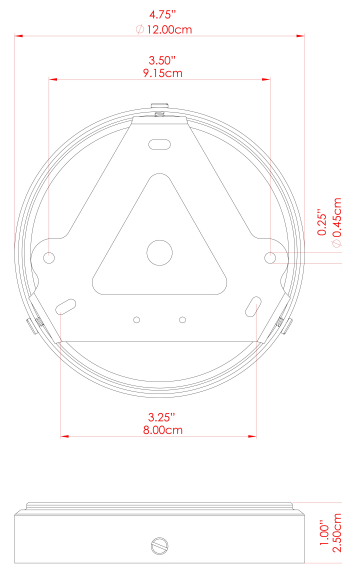
OSIER Ceramic Wall Light

MLCMWL043POLBRS Polished Brass



MATERIAL	Brass Ceramic
HEIGHT	12.25"
WIDTH DIAMETER	4.75"
LENGTH PROJECTION	10.25"
WEIGHT	1.3 kg 2.8 lbs
LAMPHOLDER	E26
MAX WATTAGE	40W
VOLTAGE	110/120v
ENVIRONMENTAL RATING	Dry Location (IP20)
CLASS PROTECTION	Class I
SHADE	MLCS0076
FLEX BAR CHAIN LENGTH	n/a
CABLE TYPE	

FIXING BRACKET: MLWB17 | Polished Brass

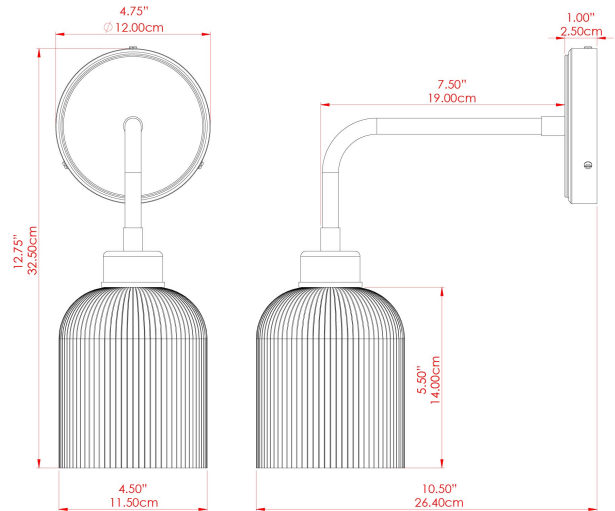


Product Notes:
1) Bulbs not included. 2) Dimensions do not include bulbs. 3) All products are individually made-to-order and therefore may differ slightly within manufacturing tolerances. 4) Cable / chain can be shortened during installation. Longer cable / chain lengths available on request. 5) Additional color finishes may be available on request. 6) Twisted cable is not available for UL wired products. Round cable in black or brown only is supplied instead. 7) Refer to our website for a full list of terms and conditions.



OSIER Ceramic Wall Light

MLCMWL043SATBRS Satin Brass



MATERIAL	Brass Ceramic
HEIGHT	12.25"
WIDTH DIAMETER	4.75"
LENGTH PROJECTION	10.25"
WEIGHT	1.3 kg 2.8 lbs
LAMPHOLDER	E26
MAX WATTAGE	40W
VOLTAGE	110/120v
ENVIRONMENTAL RATING	Dry Location (IP20)
CLASS PROTECTION	Class I
SHADE	MLCS076
FLEX BAR CHAIN LENGTH	n/a
CABLE TYPE	

FIXING BRACKET: MLWB17 | Satin Brass

