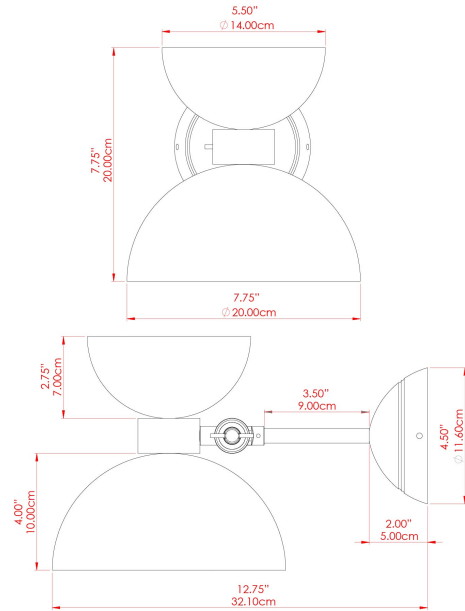


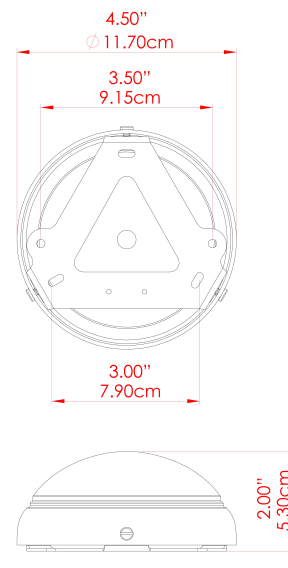
NAKAI Ceramic Wall Light

MLCMWL039ANTBRSC Antique Brass



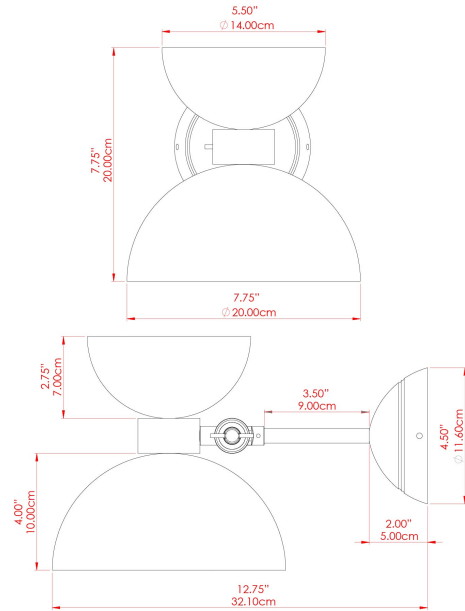
MATERIAL	Brass Ceramic Glass
HEIGHT	9.5"
WIDTH DIAMETER	7.75"
LENGTH PROJECTION	12.25"-13.75"
WEIGHT	2.1 kg 4.8 lbs
LAMPHOLDER	G9
MAX WATTAGE	6.5W
VOLTAGE	110/120v
ENVIRONMENTAL RATING	Dry Location (IP20)
CLASS PROTECTION	Class I
SHADE	GL192 MLCS002 MLCS072
FLEX BAR CHAIN LENGTH	n/a
CABLE TYPE	

FIXING BRACKET: MLWB11



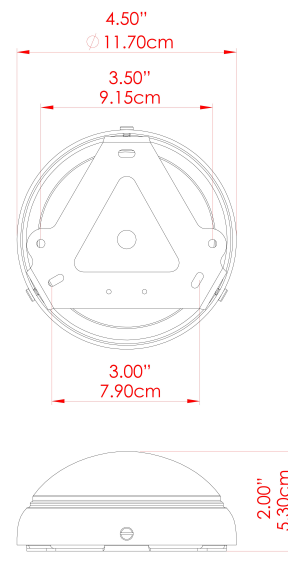
NAKAI Ceramic Wall Light

MLCMWL039ANTBRSOP Antique Brass



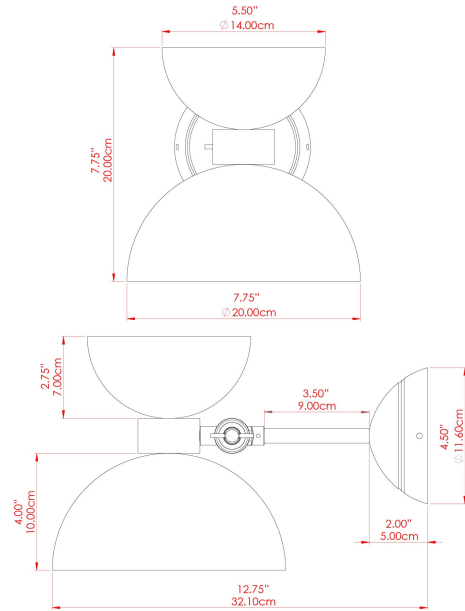
MATERIAL	Brass Ceramic Glass
HEIGHT	9.5"
WIDTH DIAMETER	7.75"
LENGTH PROJECTION	12.25"-13.75"
WEIGHT	2.1 kg 4.8 lbs
LAMPHOLDER	G9
MAX WATTAGE	6.5W
VOLTAGE	110/120v
ENVIRONMENTAL RATING	Dry Location (IP20)
CLASS PROTECTION	Class I
SHADE	GL192 MLCS002 MLCS072
FLEX BAR CHAIN LENGTH	n/a
CABLE TYPE	

FIXING BRACKET: MLWB11



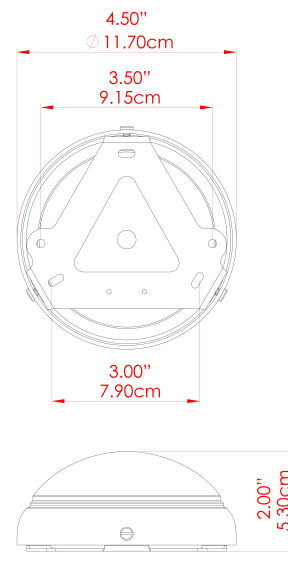
NAKAI Ceramic Wall Light

MLCMWL039ANTBRSFR Antique Brass



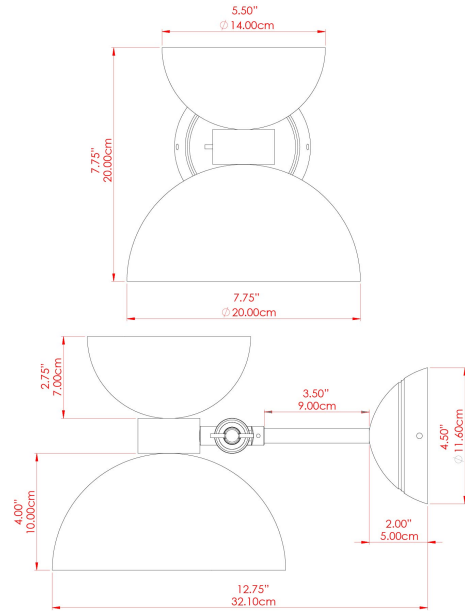
MATERIAL	Brass Ceramic Glass
HEIGHT	9.5"
WIDTH DIAMETER	7.75"
LENGTH PROJECTION	12.25"-13.75"
WEIGHT	2.1 kg 4.8 lbs
LAMPHOLDER	G9
MAX WATTAGE	6.5W
VOLTAGE	110/120v
ENVIRONMENTAL RATING	Dry Location (IP20)
CLASS PROTECTION	Class I
SHADE	GL192 MLCS002 MLCS072
FLEX BAR CHAIN LENGTH	n/a
CABLE TYPE	

FIXING BRACKET: MLWB11



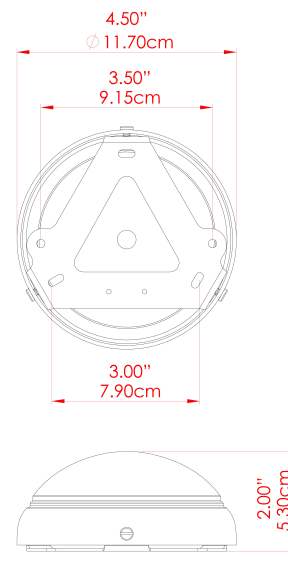
NAKAI Ceramic Wall Light

MLCMWL039ANTSLVOP Antique Silver



MATERIAL	Brass Ceramic Glass
HEIGHT	9.5"
WIDTH DIAMETER	7.75"
LENGTH PROJECTION	12.25"-13.75"
WEIGHT	2.1 kg 4.8 lbs
LAMPHOLDER	G9
MAX WATTAGE	6.5W
VOLTAGE	110/120v
ENVIRONMENTAL RATING	Dry Location (IP20)
CLASS PROTECTION	Class I
SHADE	GL192 MLCS002 MLCS072
FLEX BAR CHAIN LENGTH	n/a
CABLE TYPE	

FIXING BRACKET: MLWB11

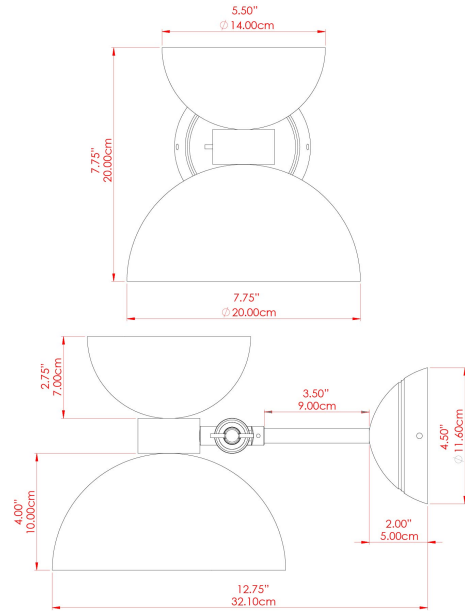


Product Notes:
 1) Bulbs not included. 2) Dimensions do not include bulbs. 3) All products are individually made-to-order and therefore may differ slightly within manufacturing tolerances. 4) Cable / chain can be shortened during installation. Longer cable / chain lengths available on request. 5) Additional color finishes may be available on request. 6) Twisted cable is not available for UL wired products. Round cable in black or brown only is supplied instead. 7) Refer to our website for a full list of terms and conditions.



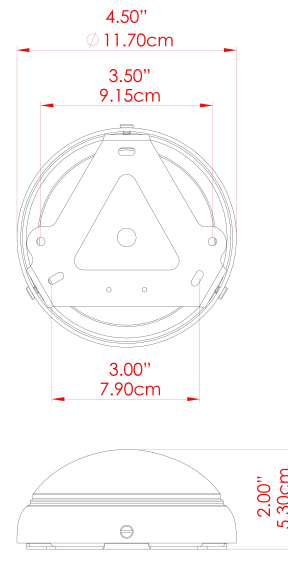
NAKAI Ceramic Wall Light

MLCMWL039ANTSLVCL Antique Silver



MATERIAL	Brass Ceramic Glass
HEIGHT	9.5"
WIDTH DIAMETER	7.75"
LENGTH PROJECTION	12.25"-13.75"
WEIGHT	2.1 kg 4.8 lbs
LAMPHOLDER	G9
MAX WATTAGE	6.5W
VOLTAGE	110/120v
ENVIRONMENTAL RATING	Dry Location (IP20)
CLASS PROTECTION	Class I
SHADE	GL192 MLCS002 MLCS072
FLEX BAR CHAIN LENGTH	n/a
CABLE TYPE	

FIXING BRACKET: MLWB11



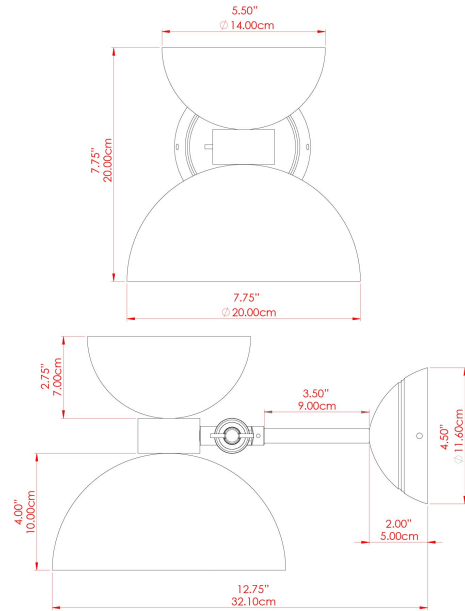
Product Notes:
 1) Bulbs not included. 2) Dimensions do not include bulbs. 3) All products are individually made-to-order and therefore may differ slightly within manufacturing tolerances. 4) Cable / chain can be shortened during installation. Longer cable / chain lengths available on request. 5) Additional color finishes may be available on request. 6) Twisted cable is not available for UL wired products. Round cable in black or brown only is supplied instead. 7) Refer to our website for a full list of terms and conditions.





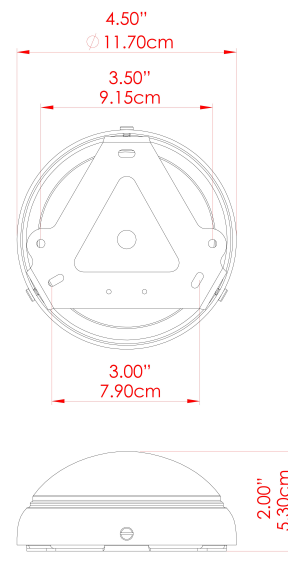
NAKAI Ceramic Wall Light

MLCMWL039ANTSLVFR Antique Silver



MATERIAL	Brass Ceramic Glass
HEIGHT	9.5"
WIDTH DIAMETER	7.75"
LENGTH PROJECTION	12.25"-13.75"
WEIGHT	2.1 kg 4.8 lbs
LAMPHOLDER	G9
MAX WATTAGE	6.5W
VOLTAGE	110/120v
ENVIRONMENTAL RATING	Dry Location (IP20)
CLASS PROTECTION	Class I
SHADE	GL192 MLCS002 MLCS072
FLEX BAR CHAIN LENGTH	n/a
CABLE TYPE	

FIXING BRACKET: MLWB11



WWW.MULLANLIGHTING.COM

Product Notes:

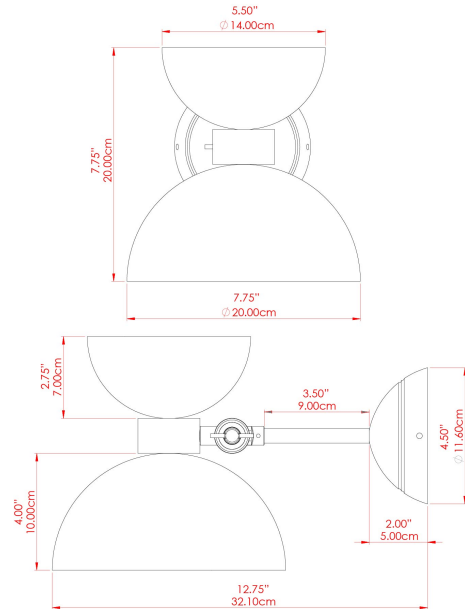
1) Bulbs not included. 2) Dimensions do not include bulbs. 3) All products are individually made-to-order and therefore may differ slightly within manufacturing tolerances. 4) Cable / chain can be shortened during installation. Longer cable / chain lengths available on request. 5) Additional color finishes may be available on request. 6) Twisted cable is not available for UL wired products. Round cable in black or brown only is supplied instead. 7) Refer to our website for a full list of terms and conditions.





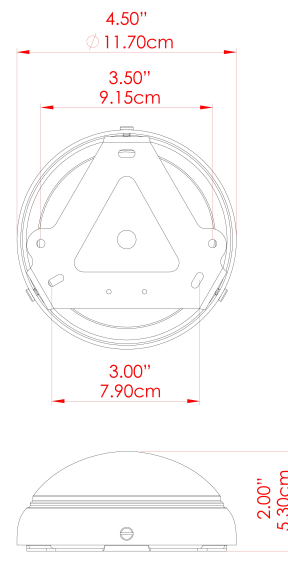
NAKAI Ceramic Wall Light

MLCMWL039PCMBKCL Matt Black



MATERIAL	Brass Ceramic Glass
HEIGHT	9.5"
WIDTH DIAMETER	7.75"
LENGTH PROJECTION	12.25"-13.75"
WEIGHT	2.1 kg 4.8 lbs
LAMPHOLDER	G9
MAX WATTAGE	6.5W
VOLTAGE	110/120v
ENVIRONMENTAL RATING	Dry Location (IP20)
CLASS PROTECTION	Class I
SHADE	GL192 MLCS002 MLCS072
FLEX BAR CHAIN LENGTH	n/a
CABLE TYPE	

FIXING BRACKET: MLWB11

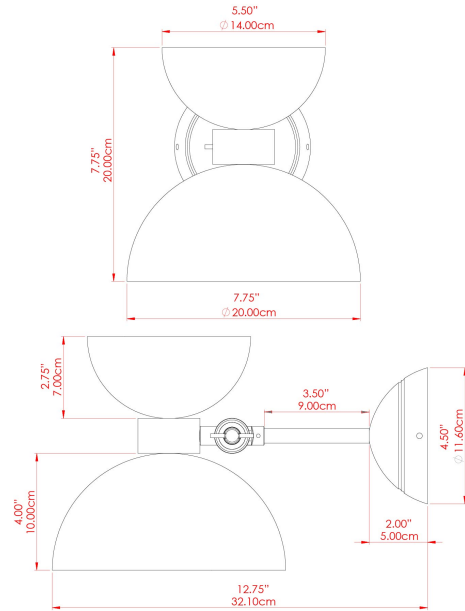


Product Notes:
1) Bulbs not included. 2) Dimensions do not include bulbs. 3) All products are individually made-to-order and therefore may differ slightly within manufacturing tolerances. 4) Cable / chain can be shortened during installation. Longer cable / chain lengths available on request. 5) Additional color finishes may be available on request. 6) Twisted cable is not available for UL wired products. Round cable in black or brown only is supplied instead. 7) Refer to our website for a full list of terms and conditions.



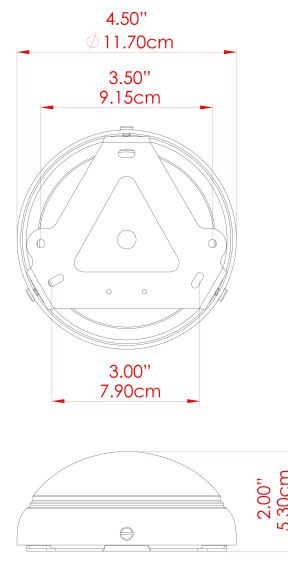
NAKAI Ceramic Wall Light

MLCMWL039PCMBKFR Matt Black



MATERIAL	Brass Ceramic Glass
HEIGHT	9.5"
WIDTH DIAMETER	7.75"
LENGTH PROJECTION	12.25"-13.75"
WEIGHT	2.1 kg 4.8 lbs
LAMPHOLDER	G9
MAX WATTAGE	6.5W
VOLTAGE	110/120v
ENVIRONMENTAL RATING	Dry Location (IP20)
CLASS PROTECTION	Class I
SHADE	GL192 MLCS002 MLCS072
FLEX BAR CHAIN LENGTH	n/a
CABLE TYPE	

FIXING BRACKET: MLWB11



Product Notes:
 1) Bulbs not included. 2) Dimensions do not include bulbs. 3) All products are individually made-to-order and therefore may differ slightly within manufacturing tolerances. 4) Cable / chain can be shortened during installation. Longer cable / chain lengths available on request. 5) Additional color finishes may be available on request. 6) Twisted cable is not available for UL wired products. Round cable in black or brown only is supplied instead. 7) Refer to our website for a full list of terms and conditions.



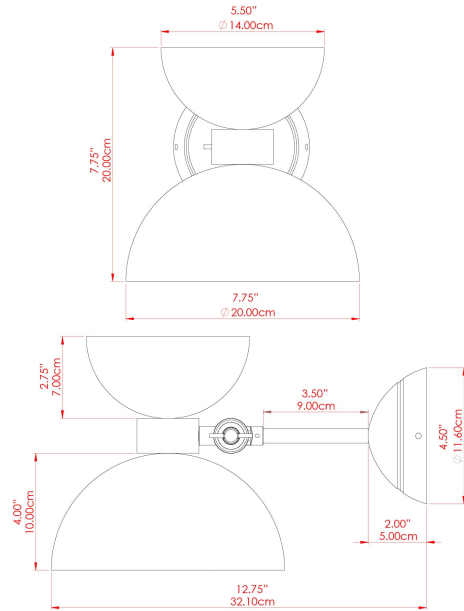


NAKAI Ceramic Wall Light

MLCMWL039PCMBKOP Matt Black

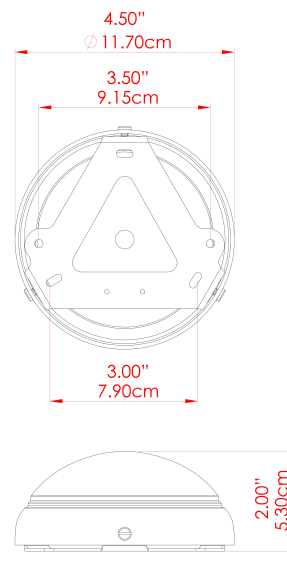


POWDER-COATED
MATTE BLACK



MATERIAL	Brass Ceramic Glass
HEIGHT	9.5"
WIDTH DIAMETER	7.75"
LENGTH PROJECTION	12.25"-13.75"
WEIGHT	2.1 kg 4.8 lbs
LAMPHOLDER	G9
MAX WATTAGE	6.5W
VOLTAGE	110/120v
ENVIRONMENTAL RATING	Dry Location (IP20)
CLASS PROTECTION	Class I
SHADE	GL192 MLCS002 MLCS072
FLEX BAR CHAIN LENGTH	n/a
CABLE TYPE	

FIXING BRACKET: MLWB11



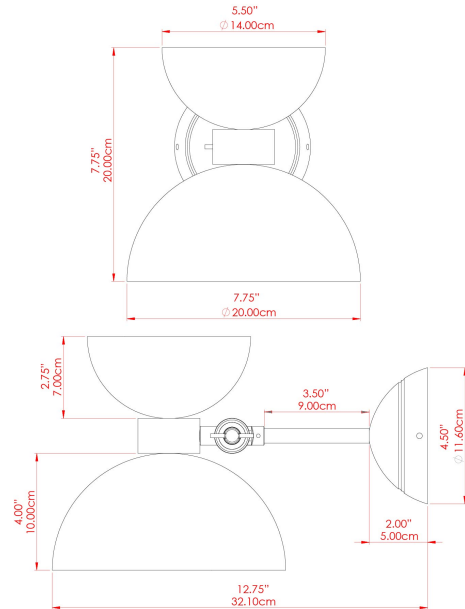
Product Notes:
 1) Bulbs not included. 2) Dimensions do not include bulbs. 3) All products are individually made-to-order and therefore may differ slightly within manufacturing tolerances. 4) Cable / chain can be shortened during installation. Longer cable / chain lengths available on request. 5) Additional color finishes may be available on request. 6) Twisted cable is not available for UL wired products. Round cable in black or brown only is supplied instead. 7) Refer to our website for a full list of terms and conditions.





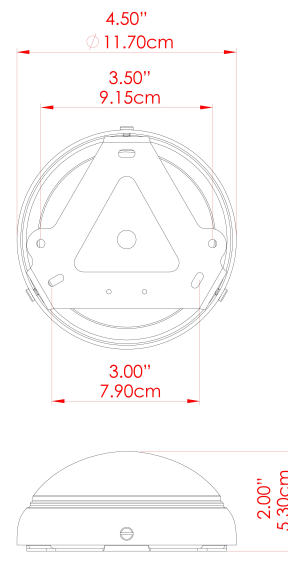
NAKAI Ceramic Wall Light

MLCMWL039POLBRSC Polished Brass



MATERIAL	Brass Ceramic Glass
HEIGHT	9.5"
WIDTH DIAMETER	7.75"
LENGTH PROJECTION	12.25"-13.75"
WEIGHT	2.1 kg 4.8 lbs
LAMPHOLDER	G9
MAX WATTAGE	6.5W
VOLTAGE	110/120v
ENVIRONMENTAL RATING	Dry Location (IP20)
CLASS PROTECTION	Class I
SHADE	GL192 MLCS002 MLCS072
FLEX BAR CHAIN LENGTH	n/a
CABLE TYPE	

FIXING BRACKET: MLWB11



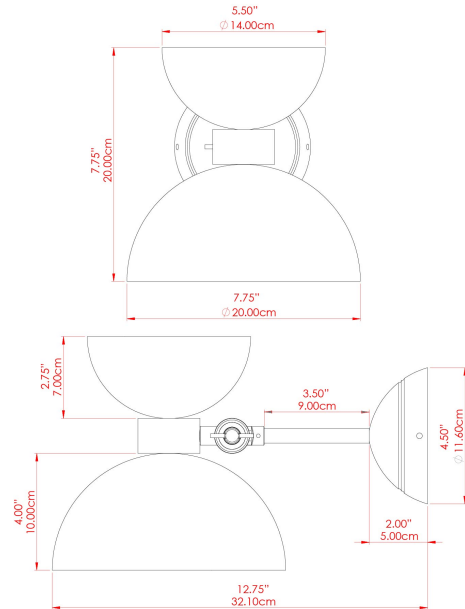
Product Notes:
 1) Bulbs not included. 2) Dimensions do not include bulbs. 3) All products are individually made-to-order and therefore may differ slightly within manufacturing tolerances. 4) Cable / chain can be shortened during installation. Longer cable / chain lengths available on request. 5) Additional color finishes may be available on request. 6) Twisted cable is not available for UL wired products. Round cable in black or brown only is supplied instead. 7) Refer to our website for a full list of terms and conditions.





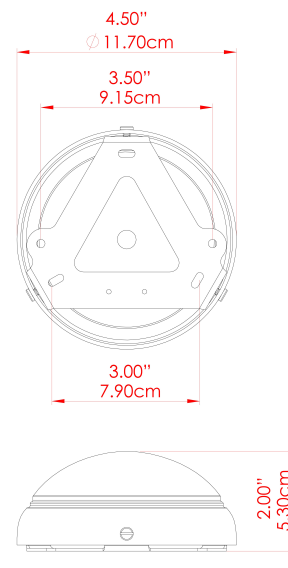
NAKAI Ceramic Wall Light

MLCMWL039POLBRSFR Polished Brass



MATERIAL	Brass Ceramic Glass
HEIGHT	9.5"
WIDTH DIAMETER	7.75"
LENGTH PROJECTION	12.25"-13.75"
WEIGHT	2.1 kg 4.8 lbs
LAMPHOLDER	G9
MAX WATTAGE	6.5W
VOLTAGE	110/120v
ENVIRONMENTAL RATING	Dry Location (IP20)
CLASS PROTECTION	Class I
SHADE	GL192 MLCS002 MLCS072
FLEX BAR CHAIN LENGTH	n/a
CABLE TYPE	

FIXING BRACKET: MLWB11



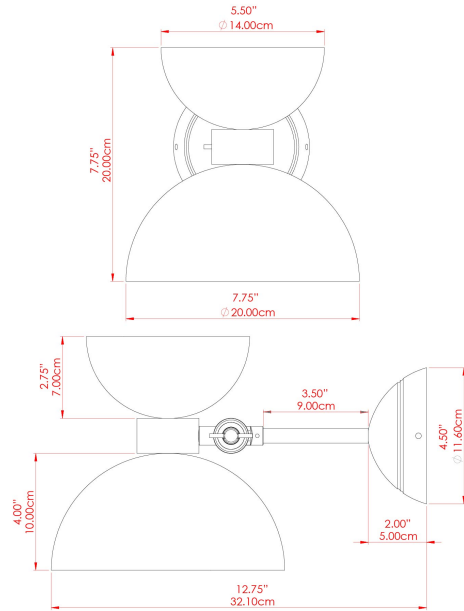
Product Notes:
1) Bulbs not included. 2) Dimensions do not include bulbs. 3) All products are individually made-to-order and therefore may differ slightly within manufacturing tolerances. 4) Cable / chain can be shortened during installation. Longer cable / chain lengths available on request. 5) Additional color finishes may be available on request. 6) Twisted cable is not available for UL wired products. Round cable in black or brown only is supplied instead. 7) Refer to our website for a full list of terms and conditions.





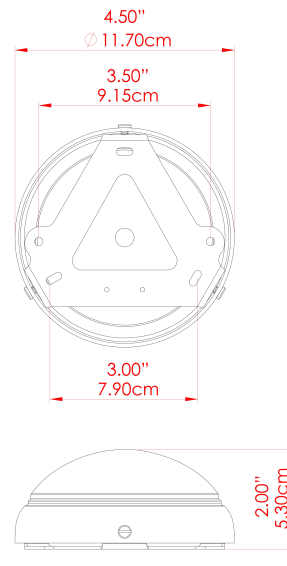
NAKAI Ceramic Wall Light

MLCMWL039POLBRSOP Polished Brass



MATERIAL	Brass Ceramic Glass
HEIGHT	9.5"
WIDTH DIAMETER	7.75"
LENGTH PROJECTION	12.25"-13.75"
WEIGHT	2.1 kg 4.8 lbs
LAMPHOLDER	G9
MAX WATTAGE	6.5W
VOLTAGE	110/120v
ENVIRONMENTAL RATING	Dry Location (IP20)
CLASS PROTECTION	Class I
SHADE	GL192 MLCS002 MLCS072
FLEX BAR CHAIN LENGTH	n/a
CABLE TYPE	

FIXING BRACKET: MLWB11



Product Notes:
1) Bulbs not included. 2) Dimensions do not include bulbs. 3) All products are individually made-to-order and therefore may differ slightly within manufacturing tolerances. 4) Cable / chain can be shortened during installation. Longer cable / chain lengths available on request. 5) Additional color finishes may be available on request. 6) Twisted cable is not available for UL wired products. Round cable in black or brown only is supplied instead. 7) Refer to our website for a full list of terms and conditions.

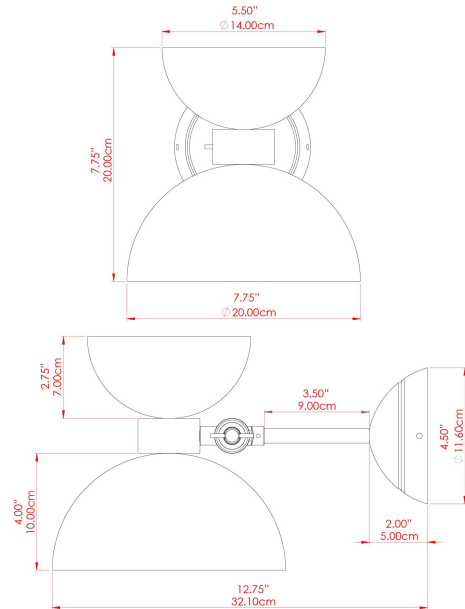


NAKAI Ceramic Wall Light

MLCMWL039SATBRSL Satin Brass

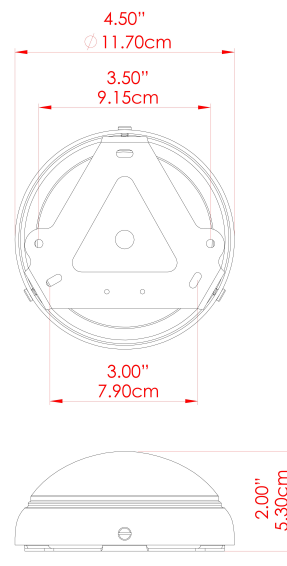


SATIN BRASS



MATERIAL	Brass Ceramic Glass
HEIGHT	9.5"
WIDTH DIAMETER	7.75"
LENGTH PROJECTION	12.25"-13.75"
WEIGHT	2.1 kg 4.8 lbs
LAMPHOLDER	G9
MAX WATTAGE	6.5W
VOLTAGE	110/120v
ENVIRONMENTAL RATING	Dry Location (IP20)
CLASS PROTECTION	Class I
SHADE	GL192 MLCS002 MLCS072
FLEX BAR CHAIN LENGTH	n/a
CABLE TYPE	

FIXING BRACKET: MLWB11



WWW.MULLANLIGHTING.COM

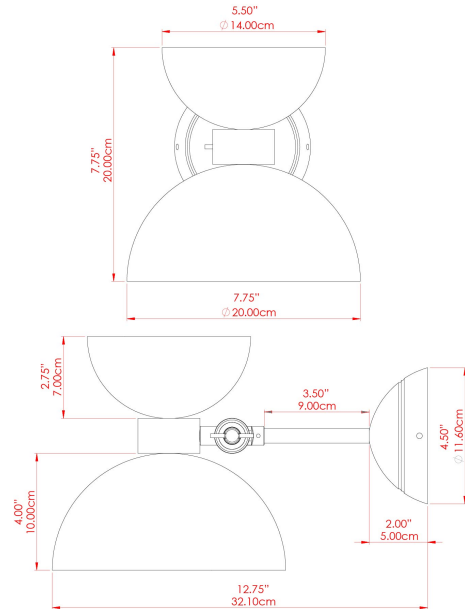
Product Notes:
 1) Bulbs not included. 2) Dimensions do not include bulbs. 3) All products are individually made-to-order and therefore may differ slightly within manufacturing tolerances. 4) Cable / chain can be shortened during installation. Longer cable / chain lengths available on request. 5) Additional color finishes may be available on request. 6) Twisted cable is not available for UL wired products. Round cable in black or brown only is supplied instead. 7) Refer to our website for a full list of terms and conditions.





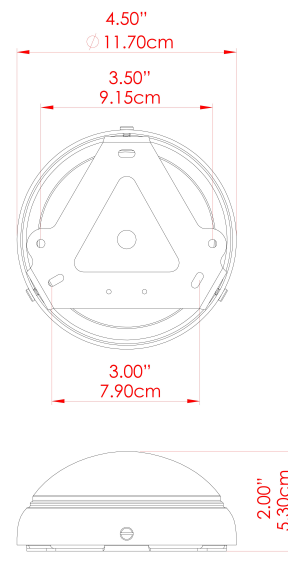
NAKAI Ceramic Wall Light

MLCMWL039SATBRSFR Satin Brass



MATERIAL	Brass Ceramic Glass
HEIGHT	9.5"
WIDTH DIAMETER	7.75"
LENGTH PROJECTION	12.25"-13.75"
WEIGHT	2.1 kg 4.8 lbs
LAMPHOLDER	G9
MAX WATTAGE	6.5W
VOLTAGE	110/120v
ENVIRONMENTAL RATING	Dry Location (IP20)
CLASS PROTECTION	Class I
SHADE	GL192 MLCS002 MLCS072
FLEX BAR CHAIN LENGTH	n/a
CABLE TYPE	

FIXING BRACKET: MLWB11



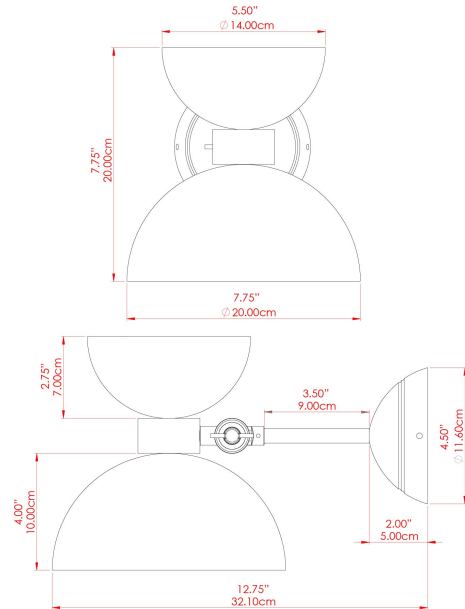
Product Notes:
 1) Bulbs not included. 2) Dimensions do not include bulbs. 3) All products are individually made-to-order and therefore may differ slightly within manufacturing tolerances. 4) Cable / chain can be shortened during installation. Longer cable / chain lengths available on request. 5) Additional color finishes may be available on request. 6) Twisted cable is not available for UL wired products. Round cable in black or brown only is supplied instead. 7) Refer to our website for a full list of terms and conditions.





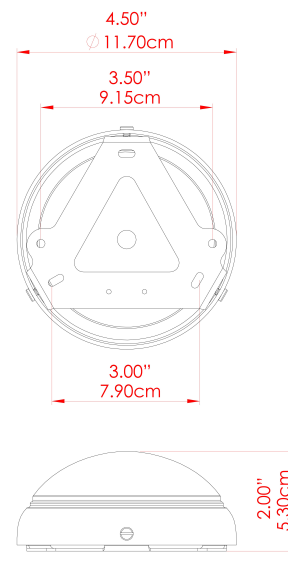
NAKAI Ceramic Wall Light

MLCMWL039SATBR SOP Satin Brass



MATERIAL	Brass Ceramic Glass
HEIGHT	9.5"
WIDTH DIAMETER	7.75"
LENGTH PROJECTION	12.25"-13.75"
WEIGHT	2.1 kg 4.8 lbs
LAMPHOLDER	G9
MAX WATTAGE	6.5W
VOLTAGE	110/120v
ENVIRONMENTAL RATING	Dry Location (IP20)
CLASS PROTECTION	Class I
SHADE	GL192 MLCS002 MLCS072
FLEX BAR CHAIN LENGTH	n/a
CABLE TYPE	

FIXING BRACKET: MLWB11



Product Notes:
1) Bulbs not included. 2) Dimensions do not include bulbs. 3) All products are individually made-to-order and therefore may differ slightly within manufacturing tolerances. 4) Cable / chain can be shortened during installation. Longer cable / chain lengths available on request. 5) Additional color finishes may be available on request. 6) Twisted cable is not available for UL wired products. Round cable in black or brown only is supplied instead. 7) Refer to our website for a full list of terms and conditions.

