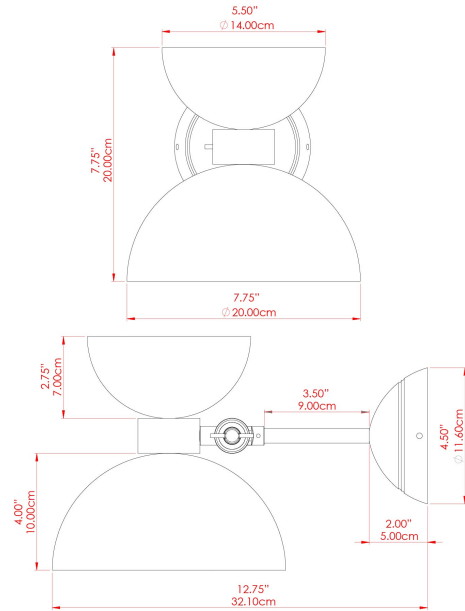


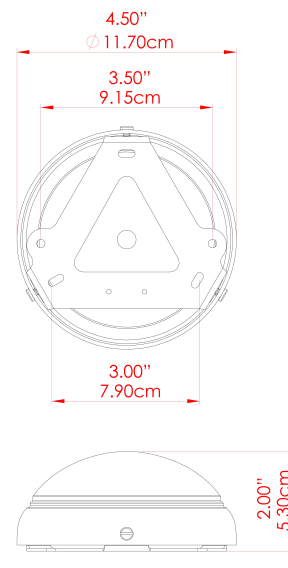
# NAKAI Ceramic Wall Light

## MLCMWL038ANTBRSC Antique Brass



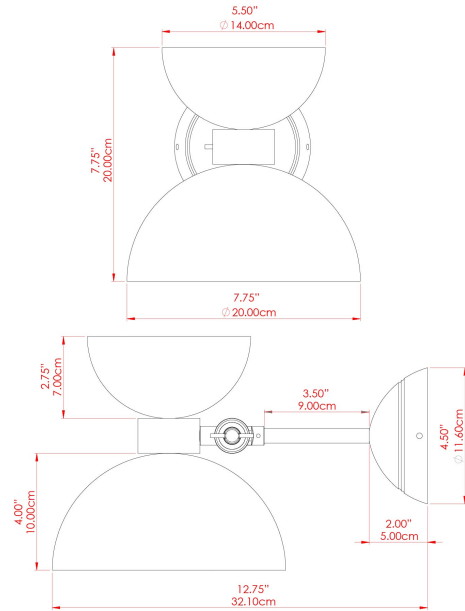
MATERIAL	Brass   Ceramic   Glass
HEIGHT	9.5"
WIDTH   DIAMETER	7.75"
LENGTH   PROJECTION	12.25"-13.75"
WEIGHT	2.1 kg   4.8 lbs
LAMPHOLDER	G9
MAX WATTAGE	6.5W
VOLTAGE	110/120v
ENVIRONMENTAL RATING	Dry Location (IP20)
CLASS PROTECTION	Class I
SHADE	GL196   MLCS003   MLCS071
FLEX   BAR   CHAIN LENGTH	n/a
CABLE TYPE	

### FIXING BRACKET: MLWB11



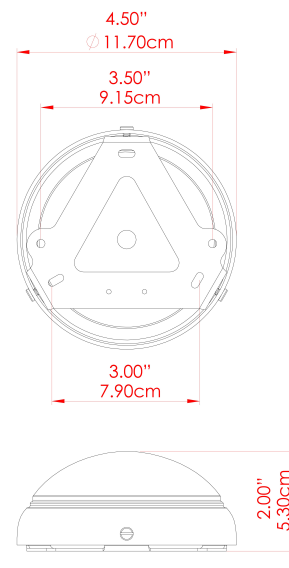
# NAKAI Ceramic Wall Light

## MLCMWL038ANTBRSFR Antique Brass



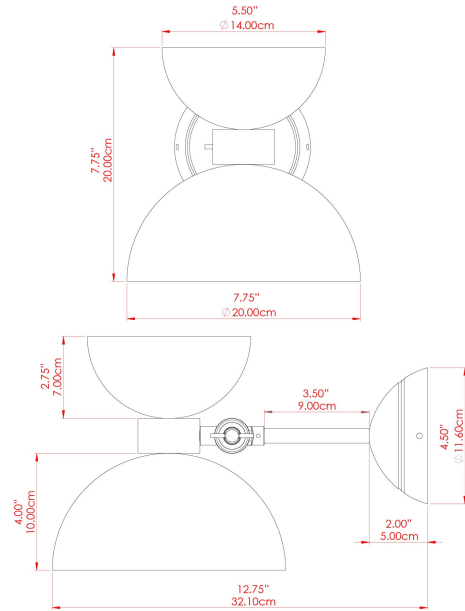
MATERIAL	Brass   Ceramic   Glass
HEIGHT	9.5"
WIDTH   DIAMETER	7.75"
LENGTH   PROJECTION	12.25"-13.75"
WEIGHT	2.1 kg   4.8 lbs
LAMPHOLDER	G9
MAX WATTAGE	6.5W
VOLTAGE	110/120v
ENVIRONMENTAL RATING	Dry Location (IP20)
CLASS PROTECTION	Class I
SHADE	GL208   MLCS003   MLCS071
FLEX   BAR   CHAIN LENGTH	n/a
CABLE TYPE	

### FIXING BRACKET: MLWB11



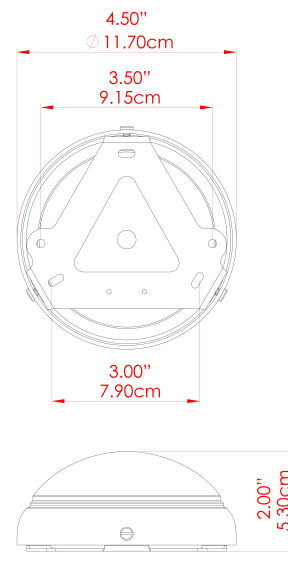
# NAKAI Ceramic Wall Light

## MLCMWL038ANTBRSOP Antique Brass



MATERIAL	Brass   Ceramic   Glass
HEIGHT	9.5"
WIDTH   DIAMETER	7.75"
LENGTH   PROJECTION	12.25"-13.75"
WEIGHT	2.1 kg   4.8 lbs
LAMPHOLDER	G9
MAX WATTAGE	6.5W
VOLTAGE	110/120v
ENVIRONMENTAL RATING	Dry Location (IP20)
CLASS PROTECTION	Class I
SHADE	GL192   MLCS003   MLCS071
FLEX   BAR   CHAIN LENGTH	n/a
CABLE TYPE	

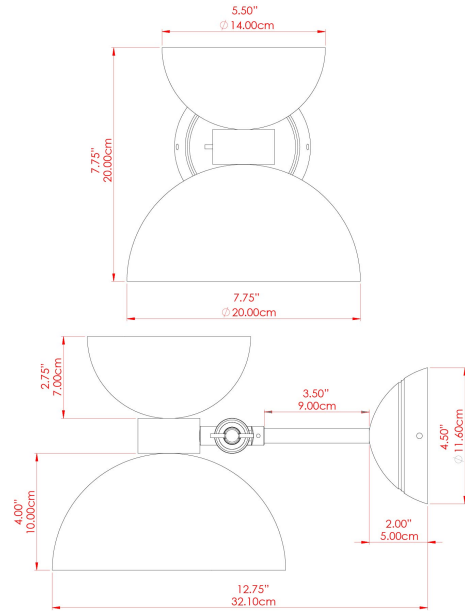
### FIXING BRACKET: MLWB11





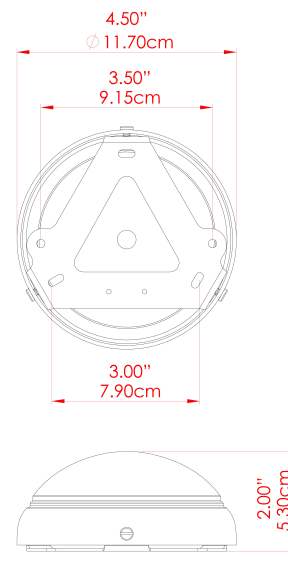
# NAKAI Ceramic Wall Light

MLCMWL038ANTSLVCL Antique Silver



MATERIAL	Brass   Ceramic   Glass
HEIGHT	9.5"
WIDTH   DIAMETER	7.75"
LENGTH   PROJECTION	12.25"-13.75"
WEIGHT	2.1 kg   4.8 lbs
LAMPHOLDER	G9
MAX WATTAGE	6.5W
VOLTAGE	110/120v
ENVIRONMENTAL RATING	Dry Location (IP20)
CLASS PROTECTION	Class I
SHADE	GL196   MLCS003   MLCS071
FLEX   BAR   CHAIN LENGTH	n/a
CABLE TYPE	

FIXING BRACKET: MLWB11



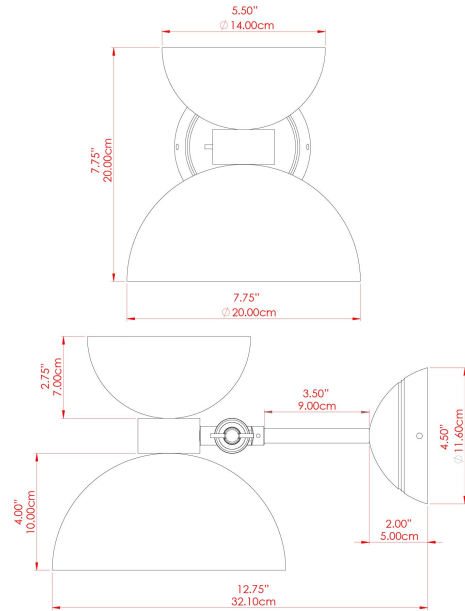
Product Notes:  
 1) Bulbs not included. 2) Dimensions do not include bulbs. 3) All products are individually made-to-order and therefore may differ slightly within manufacturing tolerances. 4) Cable / chain can be shortened during installation. Longer cable / chain lengths available on request. 5) Additional color finishes may be available on request. 6) Twisted cable is not available for UL wired products. Round cable in black or brown only is supplied instead. 7) Refer to our website for a full list of terms and conditions.





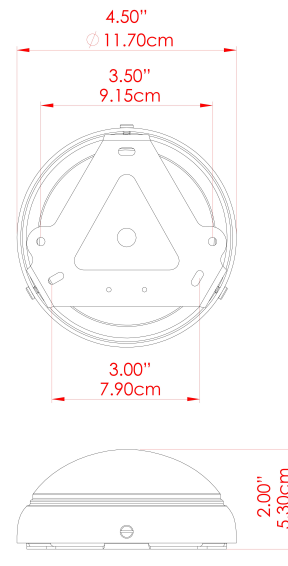
## NAKAI Ceramic Wall Light

MLCMWL038ANTSLVFR Antique Silver



MATERIAL	Brass   Ceramic   Glass
HEIGHT	9.5"
WIDTH   DIAMETER	7.75"
LENGTH   PROJECTION	12.25"-13.75"
WEIGHT	2.1 kg   4.8 lbs
LAMPHOLDER	G9
MAX WATTAGE	6.5W
VOLTAGE	110/120v
ENVIRONMENTAL RATING	Dry Location (IP20)
CLASS PROTECTION	Class I
SHADE	GL208   MLCS003   MLCS071
FLEX   BAR   CHAIN LENGTH	n/a
CABLE TYPE	

FIXING BRACKET: MLWB11

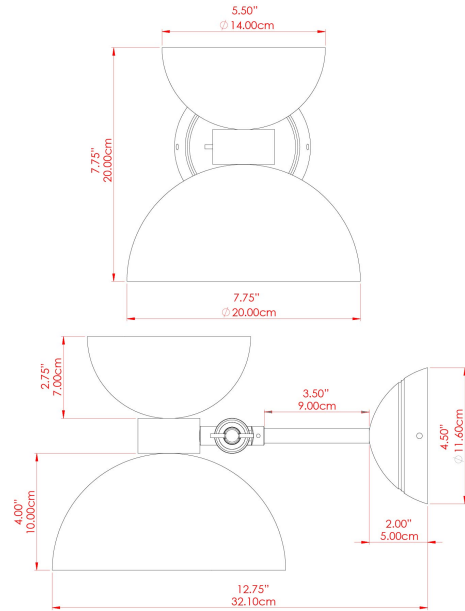


Product Notes:  
1) Bulbs not included. 2) Dimensions do not include bulbs. 3) All products are individually made-to-order and therefore may differ slightly within manufacturing tolerances. 4) Cable / chain can be shortened during installation. Longer cable / chain lengths available on request. 5) Additional color finishes may be available on request. 6) Twisted cable is not available for UL wired products. Round cable in black or brown only is supplied instead. 7) Refer to our website for a full list of terms and conditions.



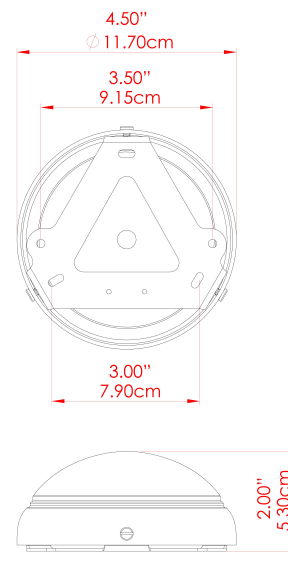
# NAKAI Ceramic Wall Light

## MLCMWL038ANTSLVOP Antique Silver



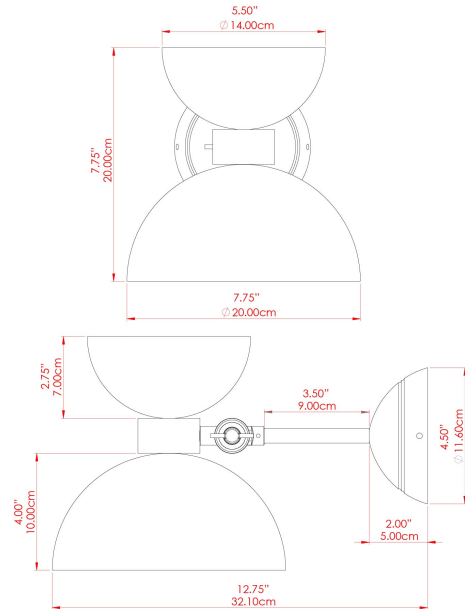
MATERIAL	Brass   Ceramic   Glass
HEIGHT	9.5"
WIDTH   DIAMETER	7.75"
LENGTH   PROJECTION	12.25"-13.75"
WEIGHT	2.1 kg   4.8 lbs
LAMPHOLDER	G9
MAX WATTAGE	6.5W
VOLTAGE	110/120v
ENVIRONMENTAL RATING	Dry Location (IP20)
CLASS PROTECTION	Class I
SHADE	GL192   MLCS003   MLCS071
FLEX   BAR   CHAIN LENGTH	n/a
CABLE TYPE	

### FIXING BRACKET: MLWB11



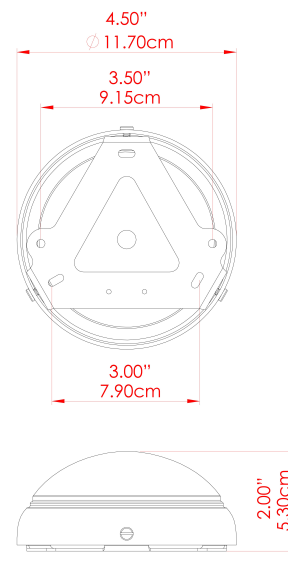
# NAKAI Ceramic Wall Light

MLCMWL038PCMBKCL Matt Black



MATERIAL	Brass   Ceramic   Glass
HEIGHT	9.5"
WIDTH   DIAMETER	7.75"
LENGTH   PROJECTION	12.25"-13.75"
WEIGHT	2.1 kg   4.8 lbs
LAMPHOLDER	G9
MAX WATTAGE	6.5W
VOLTAGE	110/120v
ENVIRONMENTAL RATING	Dry Location (IP20)
CLASS PROTECTION	Class I
SHADE	GL196   MLCS003   MLCS071
FLEX   BAR   CHAIN LENGTH	n/a
CABLE TYPE	

FIXING BRACKET: MLWB11

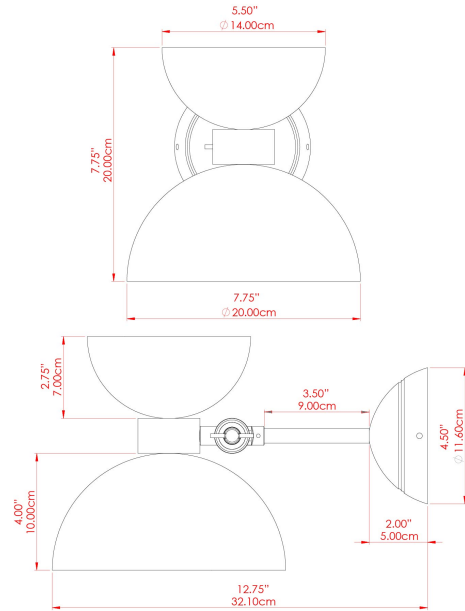


Product Notes:  
 1) Bulbs not included. 2) Dimensions do not include bulbs. 3) All products are individually made-to-order and therefore may differ slightly within manufacturing tolerances. 4) Cable / chain can be shortened during installation. Longer cable / chain lengths available on request. 5) Additional color finishes may be available on request. 6) Twisted cable is not available for UL wired products. Round cable in black or brown only is supplied instead. 7) Refer to our website for a full list of terms and conditions.



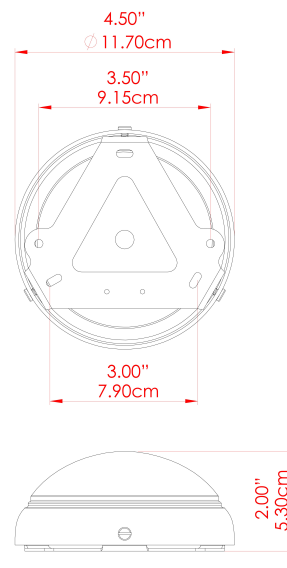
# NAKAI Ceramic Wall Light

MLCMWL038PCMBKFR Matt Black



MATERIAL	Brass   Ceramic   Glass
HEIGHT	9.5"
WIDTH   DIAMETER	7.75"
LENGTH   PROJECTION	12.25"-13.75"
WEIGHT	2.1 kg   4.8 lbs
LAMPHOLDER	G9
MAX WATTAGE	6.5W
VOLTAGE	110/120v
ENVIRONMENTAL RATING	Dry Location (IP20)
CLASS PROTECTION	Class I
SHADE	GL208   MLCS003   MLCS071
FLEX   BAR   CHAIN LENGTH	n/a
CABLE TYPE	

### FIXING BRACKET: MLWB11



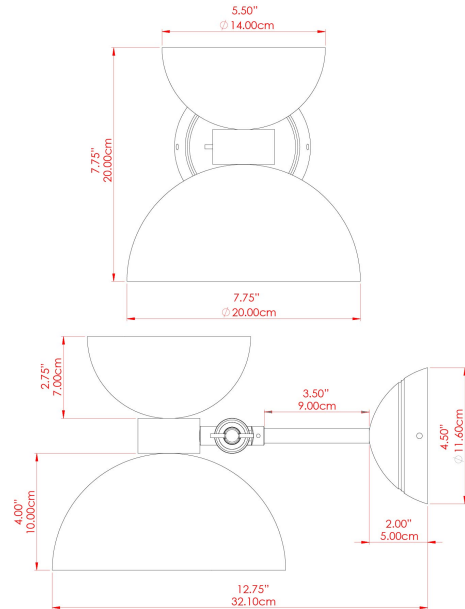
Product Notes:  
 1) Bulbs not included. 2) Dimensions do not include bulbs. 3) All products are individually made-to-order and therefore may differ slightly within manufacturing tolerances. 4) Cable / chain can be shortened during installation. Longer cable / chain lengths available on request. 5) Additional color finishes may be available on request. 6) Twisted cable is not available for UL wired products. Round cable in black or brown only is supplied instead. 7) Refer to our website for a full list of terms and conditions.





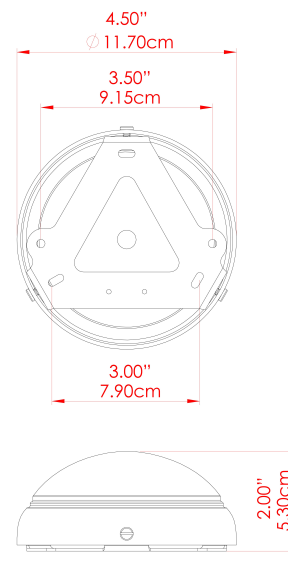
# NAKAI Ceramic Wall Light

MLCMWL038PCMBKOP Matt Black



MATERIAL	Brass   Ceramic   Glass
HEIGHT	9.5"
WIDTH   DIAMETER	7.75"
LENGTH   PROJECTION	12.25"-13.75"
WEIGHT	2.1 kg   4.8 lbs
LAMPHOLDER	G9
MAX WATTAGE	6.5W
VOLTAGE	110/120v
ENVIRONMENTAL RATING	Dry Location (IP20)
CLASS PROTECTION	Class I
SHADE	GL192   MLCS003   MLCS071
FLEX   BAR   CHAIN LENGTH	n/a
CABLE TYPE	

FIXING BRACKET: MLWB11



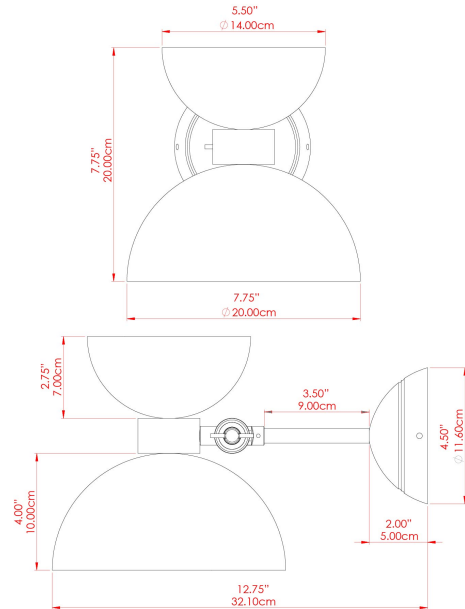
Product Notes:  
1) Bulbs not included. 2) Dimensions do not include bulbs. 3) All products are individually made-to-order and therefore may differ slightly within manufacturing tolerances. 4) Cable / chain can be shortened during installation. Longer cable / chain lengths available on request. 5) Additional color finishes may be available on request. 6) Twisted cable is not available for UL wired products. Round cable in black or brown only is supplied instead. 7) Refer to our website for a full list of terms and conditions.





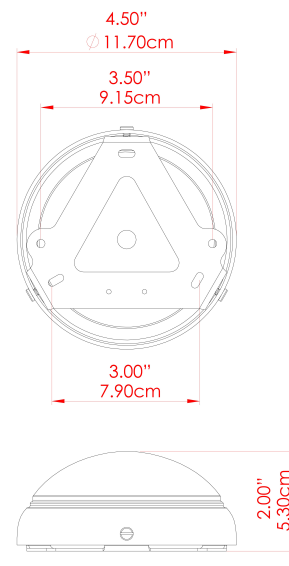
# NAKAI Ceramic Wall Light

MLCMWL038POLBRSC Polished Brass



MATERIAL	Brass   Ceramic   Glass
HEIGHT	9.5"
WIDTH   DIAMETER	7.75"
LENGTH   PROJECTION	12.25"-13.75"
WEIGHT	2.1 kg   4.8 lbs
LAMPHOLDER	G9
MAX WATTAGE	6.5W
VOLTAGE	110/120v
ENVIRONMENTAL RATING	Dry Location (IP20)
CLASS PROTECTION	Class I
SHADE	GL196   MLCS003   MLCS071
FLEX   BAR   CHAIN LENGTH	n/a
CABLE TYPE	

FIXING BRACKET: MLWB11



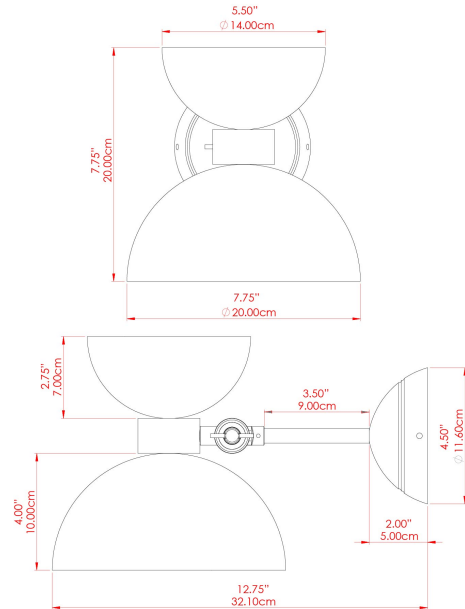
Product Notes:  
 1) Bulbs not included. 2) Dimensions do not include bulbs. 3) All products are individually made-to-order and therefore may differ slightly within manufacturing tolerances. 4) Cable / chain can be shortened during installation. Longer cable / chain lengths available on request. 5) Additional color finishes may be available on request. 6) Twisted cable is not available for UL wired products. Round cable in black or brown only is supplied instead. 7) Refer to our website for a full list of terms and conditions.





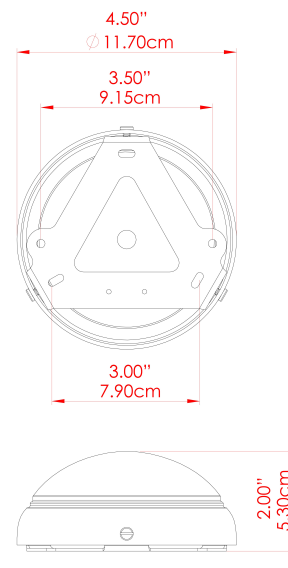
# NAKAI Ceramic Wall Light

MLCMWL038POLBRSFR Polished Brass



MATERIAL	Brass   Ceramic   Glass
HEIGHT	9.5"
WIDTH   DIAMETER	7.75"
LENGTH   PROJECTION	12.25"-13.75"
WEIGHT	2.1 kg   4.8 lbs
LAMPHOLDER	G9
MAX WATTAGE	6.5W
VOLTAGE	110/120v
ENVIRONMENTAL RATING	Dry Location (IP20)
CLASS PROTECTION	Class I
SHADE	GL208   MLCS003   MLCS071
FLEX   BAR   CHAIN LENGTH	n/a
CABLE TYPE	

FIXING BRACKET: MLWB11



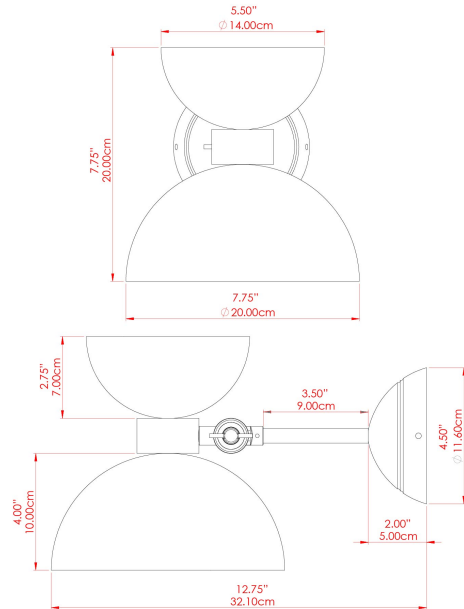
Product Notes:  
 1) Bulbs not included. 2) Dimensions do not include bulbs. 3) All products are individually made-to-order and therefore may differ slightly within manufacturing tolerances. 4) Cable / chain can be shortened during installation. Longer cable / chain lengths available on request. 5) Additional color finishes may be available on request. 6) Twisted cable is not available for UL wired products. Round cable in black or brown only is supplied instead. 7) Refer to our website for a full list of terms and conditions.





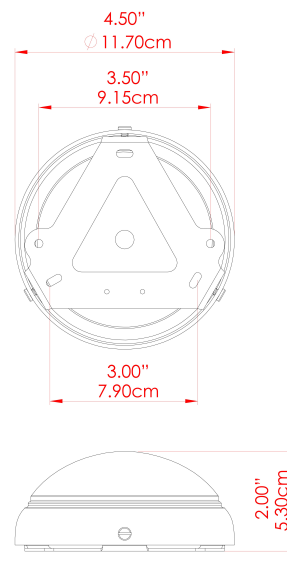
# NAKAI Ceramic Wall Light

MLCMWL038POLBRSOP Polished Brass



MATERIAL	Brass   Ceramic   Glass
HEIGHT	9.5"
WIDTH   DIAMETER	7.75"
LENGTH   PROJECTION	12.25"-13.75"
WEIGHT	2.1 kg   4.8 lbs
LAMPHOLDER	G9
MAX WATTAGE	6.5W
VOLTAGE	110/120v
ENVIRONMENTAL RATING	Dry Location (IP20)
CLASS PROTECTION	Class I
SHADE	GL192   MLCS003   MLCS071
FLEX   BAR   CHAIN LENGTH	n/a
CABLE TYPE	

FIXING BRACKET: MLWB11



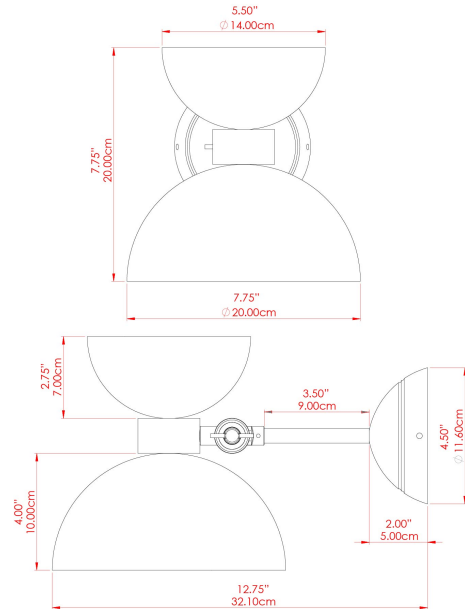
Product Notes:  
 1) Bulbs not included. 2) Dimensions do not include bulbs. 3) All products are individually made-to-order and therefore may differ slightly within manufacturing tolerances. 4) Cable / chain can be shortened during installation. Longer cable / chain lengths available on request. 5) Additional color finishes may be available on request. 6) Twisted cable is not available for UL wired products. Round cable in black or brown only is supplied instead. 7) Refer to our website for a full list of terms and conditions.





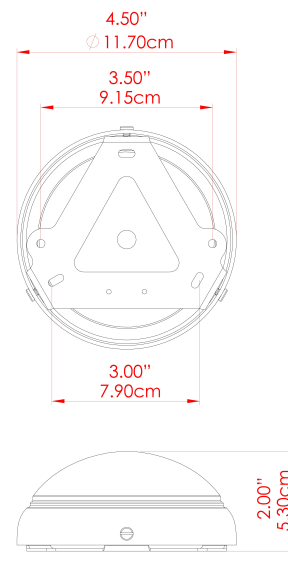
## NAKAI Ceramic Wall Light

MLCMWL038SATBRSL Satin Brass



MATERIAL	Brass   Ceramic   Glass
HEIGHT	9.5"
WIDTH   DIAMETER	7.75"
LENGTH   PROJECTION	12.25"-13.75"
WEIGHT	2.1 kg   4.8 lbs
LAMPHOLDER	G9
MAX WATTAGE	6.5W
VOLTAGE	110/120v
ENVIRONMENTAL RATING	Dry Location (IP20)
CLASS PROTECTION	Class I
SHADE	GL196   MLCS003   MLCS071
FLEX   BAR   CHAIN LENGTH	n/a
CABLE TYPE	

FIXING BRACKET: MLWB11



WWW.MULLANLIGHTING.COM

Product Notes:

1) Bulbs not included. 2) Dimensions do not include bulbs. 3) All products are individually made-to-order and therefore may differ slightly within manufacturing tolerances. 4) Cable / chain can be shortened during installation. Longer cable / chain lengths available on request. 5) Additional color finishes may be available on request. 6) Twisted cable is not available for UL wired products. Round cable in black or brown only is supplied instead. 7) Refer to our website for a full list of terms and conditions.



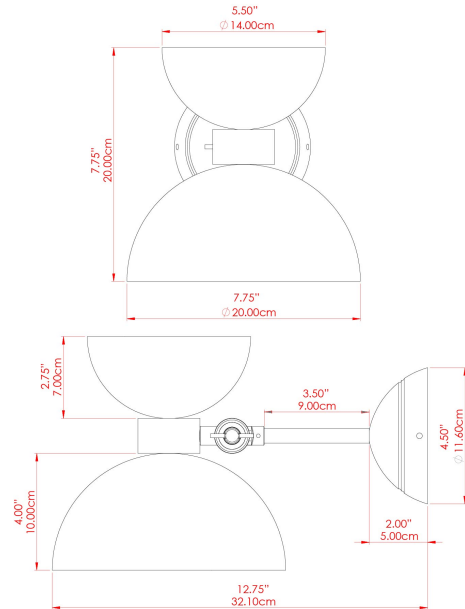


# NAKAI Ceramic Wall Light

MLCMWL038SATBRSFR Satin Brass

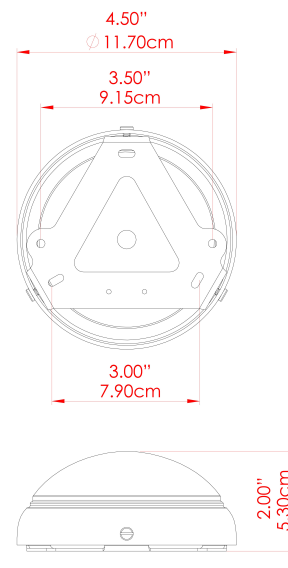


SATIN BRASS



MATERIAL	Brass   Ceramic   Glass
HEIGHT	9.5"
WIDTH   DIAMETER	7.75"
LENGTH   PROJECTION	12.25"-13.75"
WEIGHT	2.1 kg   4.8 lbs
LAMPHOLDER	G9
MAX WATTAGE	6.5W
VOLTAGE	110/120v
ENVIRONMENTAL RATING	Dry Location (IP20)
CLASS PROTECTION	Class I
SHADE	GL208   MLCS003   MLCS071
FLEX   BAR   CHAIN LENGTH	n/a
CABLE TYPE	

FIXING BRACKET: MLWB11



WWW.MULLANLIGHTING.COM

**Product Notes:**

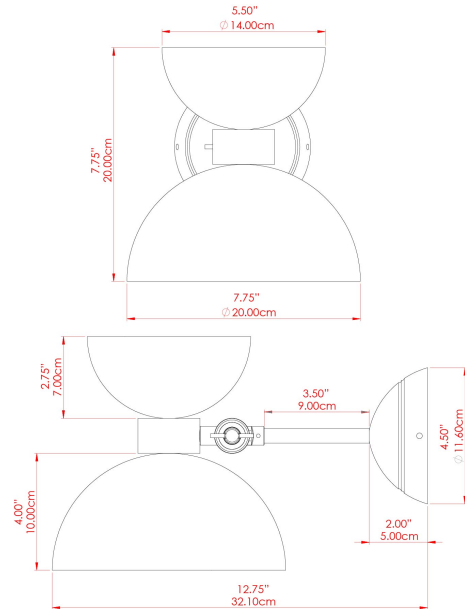
1) Bulbs not included. 2) Dimensions do not include bulbs. 3) All products are individually made-to-order and therefore may differ slightly within manufacturing tolerances. 4) Cable / chain can be shortened during installation. Longer cable / chain lengths available on request. 5) Additional color finishes may be available on request. 6) Twisted cable is not available for UL wired products. Round cable in black or brown only is supplied instead. 7) Refer to our website for a full list of terms and conditions.





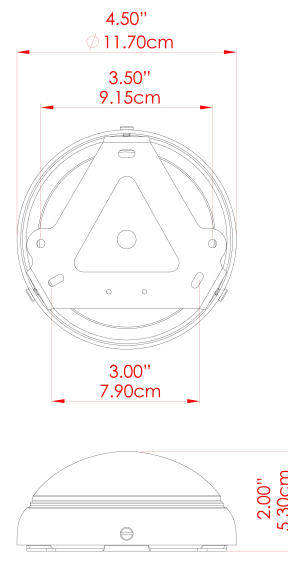
## NAKAI Ceramic Wall Light

MLCMWL038SATBRSOP Satin Brass



MATERIAL	Brass   Ceramic   Glass
HEIGHT	9.5"
WIDTH   DIAMETER	7.75"
LENGTH   PROJECTION	12.25"-13.75"
WEIGHT	2.1 kg   4.8 lbs
LAMPHOLDER	G9
MAX WATTAGE	6.5W
VOLTAGE	110/120v
ENVIRONMENTAL RATING	Dry Location (IP20)
CLASS PROTECTION	Class I
SHADE	GL192   MLCS003   MLCS071
FLEX   BAR   CHAIN LENGTH	n/a
CABLE TYPE	

FIXING BRACKET: MLWB11



WWW.MULLANLIGHTING.COM

**Product Notes:**

1) Bulbs not included. 2) Dimensions do not include bulbs. 3) All products are individually made-to-order and therefore may differ slightly within manufacturing tolerances. 4) Cable / chain can be shortened during installation. Longer cable / chain lengths available on request. 5) Additional color finishes may be available on request. 6) Twisted cable is not available for UL wired products. Round cable in black or brown only is supplied instead. 7) Refer to our website for a full list of terms and conditions.

