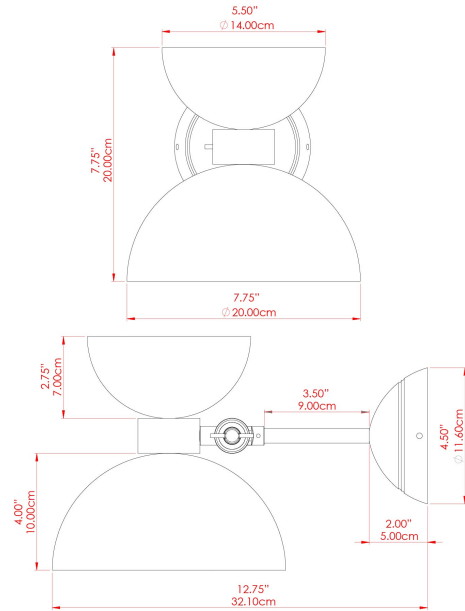


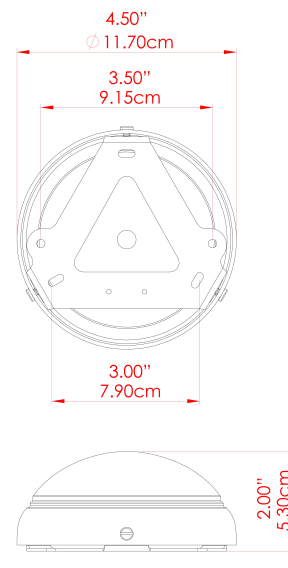
NAKAI Ceramic Wall Light

MLCMWL037ANTBRSC Antique Brass



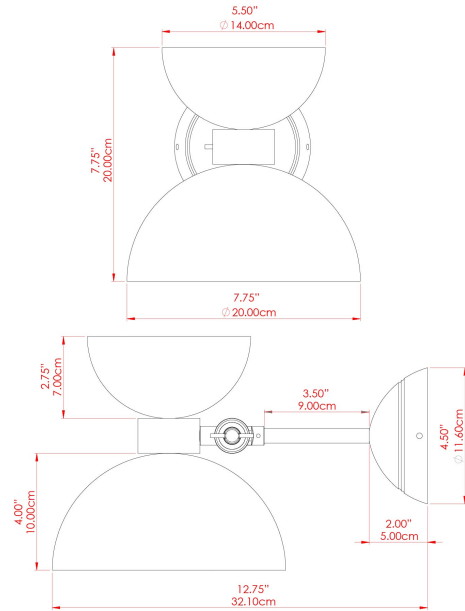
MATERIAL	Brass Ceramic Glass
HEIGHT	9.5"
WIDTH DIAMETER	7.75"
LENGTH PROJECTION	12.25"-13.75"
WEIGHT	2.1 kg 4.8 lbs
LAMPHOLDER	G9
MAX WATTAGE	6.5W
VOLTAGE	110/120v
ENVIRONMENTAL RATING	Dry Location (IP20)
CLASS PROTECTION	Class I
SHADE	GL196 MLCS001 MLCS070
FLEX BAR CHAIN LENGTH	n/a
CABLE TYPE	

FIXING BRACKET: MLWB11



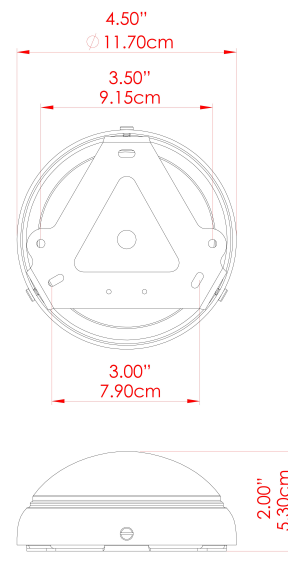
NAKAI Ceramic Wall Light

MLCMWL037ANTBRSFR Antique Brass



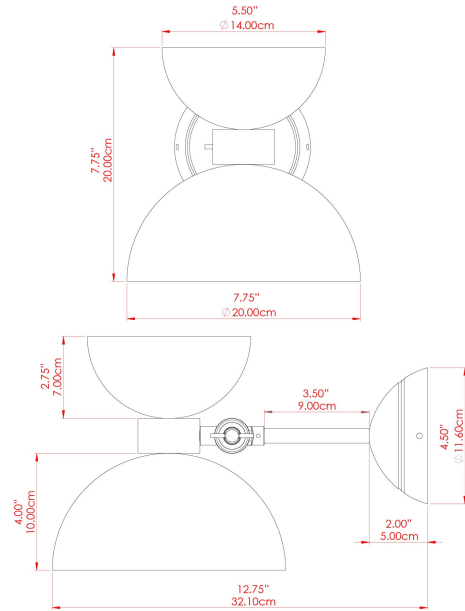
MATERIAL	Brass Ceramic Glass
HEIGHT	9.5"
WIDTH DIAMETER	7.75"
LENGTH PROJECTION	12.25"-13.75"
WEIGHT	2.1 kg 4.8 lbs
LAMPHOLDER	G9
MAX WATTAGE	6.5W
VOLTAGE	110/120v
ENVIRONMENTAL RATING	Dry Location (IP20)
CLASS PROTECTION	Class I
SHADE	GL208 MLCS001 MLCS070
FLEX BAR CHAIN LENGTH	n/a
CABLE TYPE	

FIXING BRACKET: MLWB11



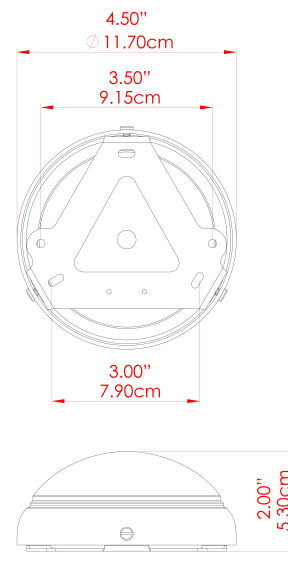
NAKAI Ceramic Wall Light

MLCMWL037ANTBRSOP Antique Brass



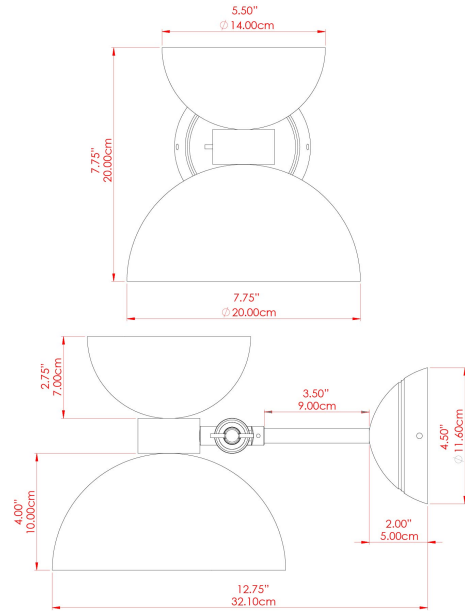
MATERIAL	Brass Ceramic Glass
HEIGHT	9.5"
WIDTH DIAMETER	7.75"
LENGTH PROJECTION	12.25"-13.75"
WEIGHT	2.1 kg 4.8 lbs
LAMPHOLDER	G9
MAX WATTAGE	6.5W
VOLTAGE	110/120v
ENVIRONMENTAL RATING	Dry Location (IP20)
CLASS PROTECTION	Class I
SHADE	GL192 MLCS001 MLCS070
FLEX BAR CHAIN LENGTH	n/a
CABLE TYPE	

FIXING BRACKET: MLWB11



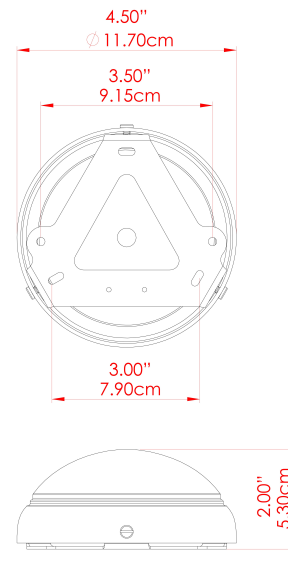
NAKAI Ceramic Wall Light

MLCMWL037ANTSLVCL Antique Silver



MATERIAL	Brass Ceramic Glass
HEIGHT	9.5"
WIDTH DIAMETER	7.75"
LENGTH PROJECTION	12.25"-13.75"
WEIGHT	2.1 kg 4.8 lbs
LAMPHOLDER	G9
MAX WATTAGE	6.5W
VOLTAGE	110/120v
ENVIRONMENTAL RATING	Dry Location (IP20)
CLASS PROTECTION	Class I
SHADE	GL196 MLCS001 MLCS070
FLEX BAR CHAIN LENGTH	n/a
CABLE TYPE	

FIXING BRACKET: MLWB11

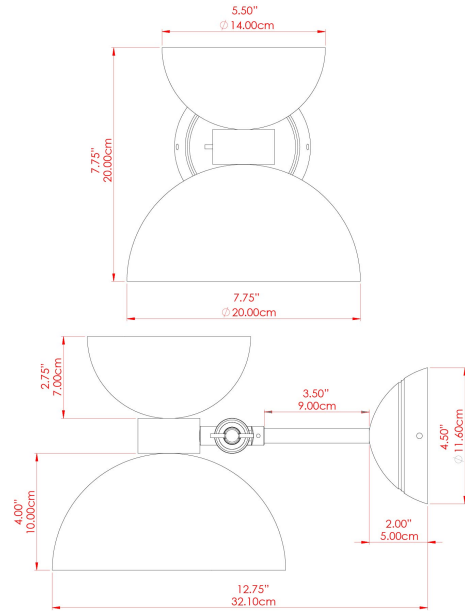


Product Notes:
 1) Bulbs not included. 2) Dimensions do not include bulbs. 3) All products are individually made-to-order and therefore may differ slightly within manufacturing tolerances. 4) Cable / chain can be shortened during installation. Longer cable / chain lengths available on request. 5) Additional color finishes may be available on request. 6) Twisted cable is not available for UL wired products. Round cable in black or brown only is supplied instead. 7) Refer to our website for a full list of terms and conditions.



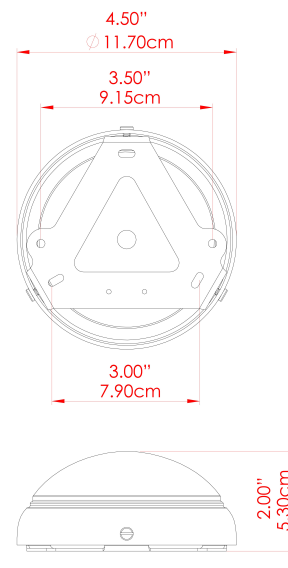
NAKAI Ceramic Wall Light

MLCMWL037ANTSLVFR Antique Silver



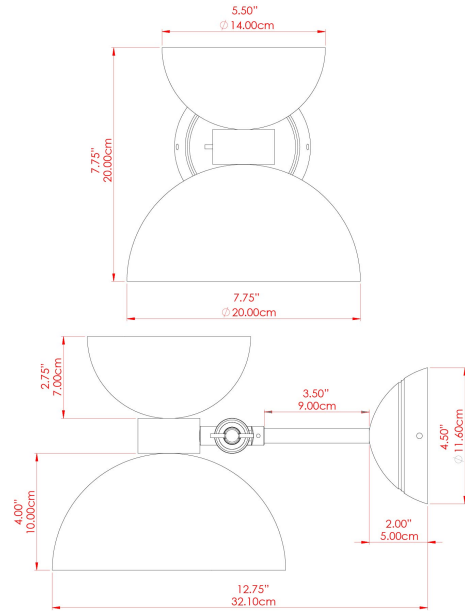
MATERIAL	Brass Ceramic Glass
HEIGHT	9.5"
WIDTH DIAMETER	7.75"
LENGTH PROJECTION	12.25"-13.75"
WEIGHT	2.1 kg 4.8 lbs
LAMPHOLDER	G9
MAX WATTAGE	6.5W
VOLTAGE	110/120v
ENVIRONMENTAL RATING	Dry Location (IP20)
CLASS PROTECTION	Class I
SHADE	GL208 MLCS001 MLCS070
FLEX BAR CHAIN LENGTH	n/a
CABLE TYPE	

FIXING BRACKET: MLWB11



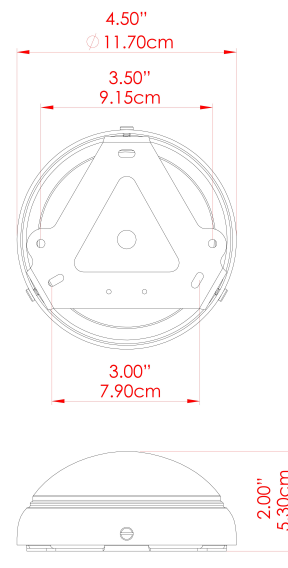
NAKAI Ceramic Wall Light

MLCMWL037ANTSLVOP Antique Silver



MATERIAL	Brass Ceramic Glass
HEIGHT	9.5"
WIDTH DIAMETER	7.75"
LENGTH PROJECTION	12.25"-13.75"
WEIGHT	2.1 kg 4.8 lbs
LAMPHOLDER	G9
MAX WATTAGE	6.5W
VOLTAGE	110/120v
ENVIRONMENTAL RATING	Dry Location (IP20)
CLASS PROTECTION	Class I
SHADE	GL192 MLCS001 MLCS070
FLEX BAR CHAIN LENGTH	n/a
CABLE TYPE	

FIXING BRACKET: MLWB11



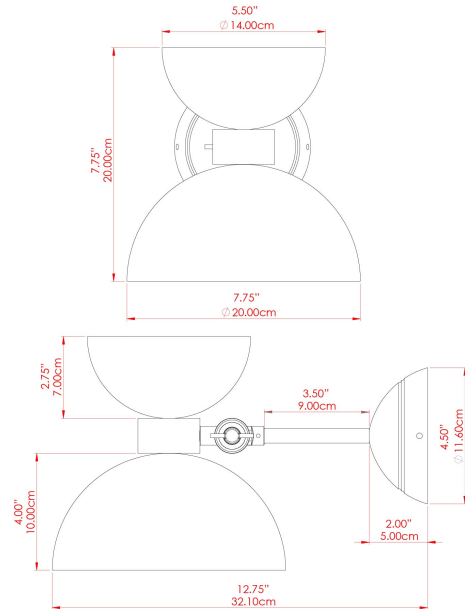
Product Notes:
 1) Bulbs not included. 2) Dimensions do not include bulbs. 3) All products are individually made-to-order and therefore may differ slightly within manufacturing tolerances. 4) Cable / chain can be shortened during installation. Longer cable / chain lengths available on request. 5) Additional color finishes may be available on request. 6) Twisted cable is not available for UL wired products. Round cable in black or brown only is supplied instead. 7) Refer to our website for a full list of terms and conditions.





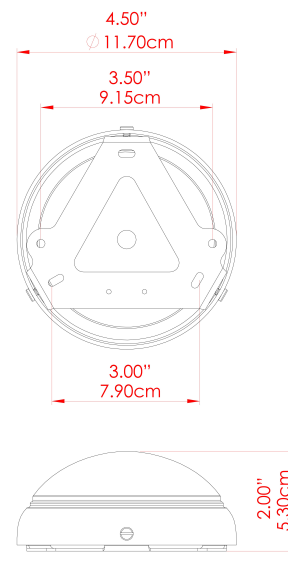
NAKAI Ceramic Wall Light

MLCMWL037PCMBKCL Matt Black



MATERIAL	Brass Ceramic Glass
HEIGHT	9.5"
WIDTH DIAMETER	7.75"
LENGTH PROJECTION	12.25"-13.75"
WEIGHT	2.1 kg 4.8 lbs
LAMPHOLDER	G9
MAX WATTAGE	6.5W
VOLTAGE	110/120v
ENVIRONMENTAL RATING	Dry Location (IP20)
CLASS PROTECTION	Class I
SHADE	GL196 MLCS001 MLCS070
FLEX BAR CHAIN LENGTH	n/a
CABLE TYPE	

FIXING BRACKET: MLWB11



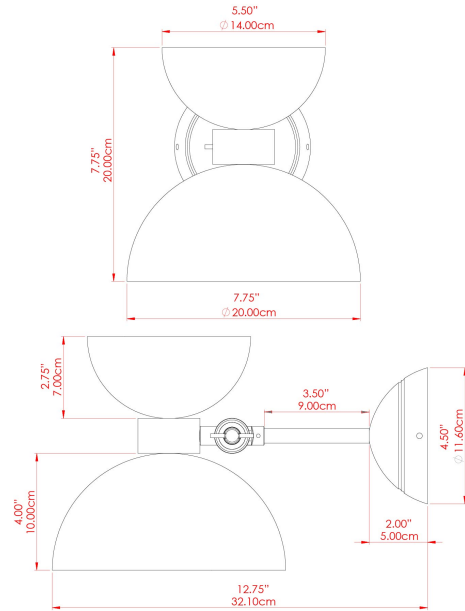
Product Notes:
1) Bulbs not included. 2) Dimensions do not include bulbs. 3) All products are individually made-to-order and therefore may differ slightly within manufacturing tolerances. 4) Cable / chain can be shortened during installation. Longer cable / chain lengths available on request. 5) Additional color finishes may be available on request. 6) Twisted cable is not available for UL wired products. Round cable in black or brown only is supplied instead. 7) Refer to our website for a full list of terms and conditions.





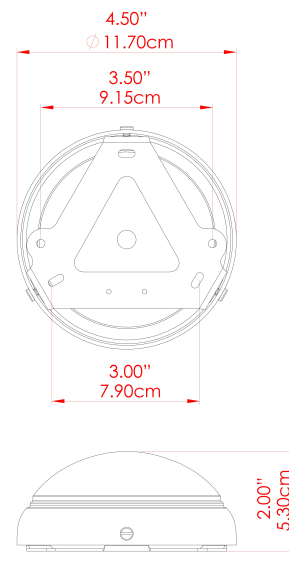
NAKAI Ceramic Wall Light

MLCMWL037PCMBKFR Matt Black



MATERIAL	Brass Ceramic Glass
HEIGHT	9.5"
WIDTH DIAMETER	7.75"
LENGTH PROJECTION	12.25"-13.75"
WEIGHT	2.1 kg 4.8 lbs
LAMPHOLDER	G9
MAX WATTAGE	6.5W
VOLTAGE	110/120v
ENVIRONMENTAL RATING	Dry Location (IP20)
CLASS PROTECTION	Class I
SHADE	GL208 MLCS001 MLCS070
FLEX BAR CHAIN LENGTH	n/a
CABLE TYPE	

FIXING BRACKET: MLWB11



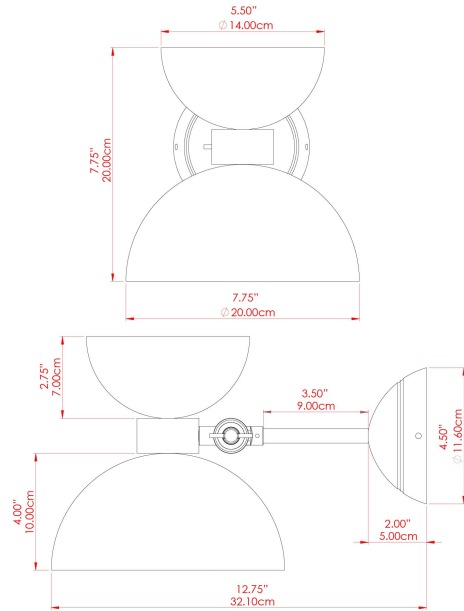
Product Notes:
 1) Bulbs not included. 2) Dimensions do not include bulbs. 3) All products are individually made-to-order and therefore may differ slightly within manufacturing tolerances. 4) Cable / chain can be shortened during installation. Longer cable / chain lengths available on request. 5) Additional color finishes may be available on request. 6) Twisted cable is not available for UL wired products. Round cable in black or brown only is supplied instead. 7) Refer to our website for a full list of terms and conditions.





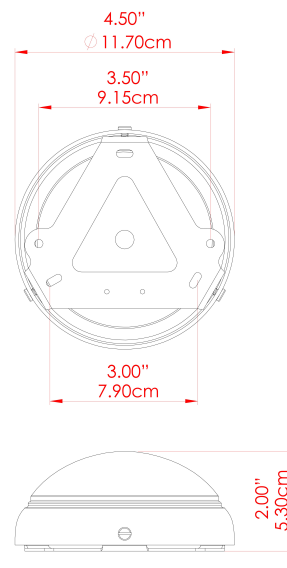
NAKAI Ceramic Wall Light

MLCMWL037PCMBKOP Matt Black



MATERIAL	Brass Ceramic Glass
HEIGHT	9.5"
WIDTH DIAMETER	7.75"
LENGTH PROJECTION	12.25"-13.75"
WEIGHT	2.1 kg 4.8 lbs
LAMPHOLDER	G9
MAX WATTAGE	6.5W
VOLTAGE	110/120v
ENVIRONMENTAL RATING	Dry Location (IP20)
CLASS PROTECTION	Class I
SHADE	GL192 MLCS001 MLCS070
FLEX BAR CHAIN LENGTH	n/a
CABLE TYPE	

FIXING BRACKET: MLWB11



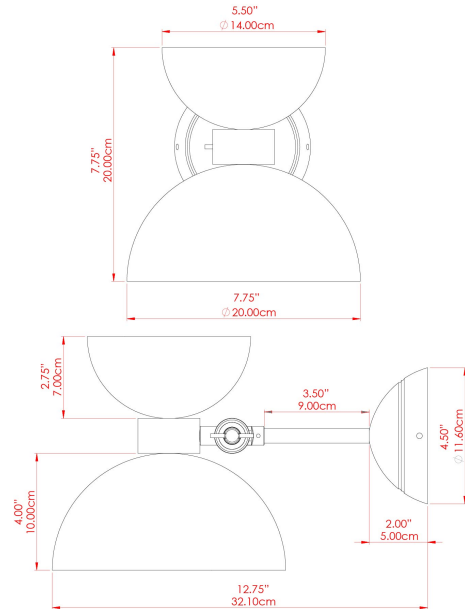
Product Notes:
 1) Bulbs not included. 2) Dimensions do not include bulbs. 3) All products are individually made-to-order and therefore may differ slightly within manufacturing tolerances. 4) Cable / chain can be shortened during installation. Longer cable / chain lengths available on request. 5) Additional color finishes may be available on request. 6) Twisted cable is not available for UL wired products. Round cable in black or brown only is supplied instead. 7) Refer to our website for a full list of terms and conditions.





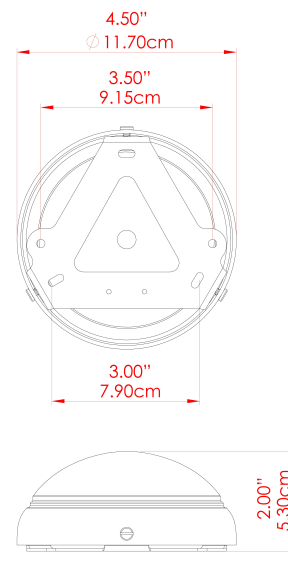
NAKAI Ceramic Wall Light

MLCMWL037POLBRSCl Polished Brass



MATERIAL	Brass Ceramic Glass
HEIGHT	9.5"
WIDTH DIAMETER	7.75"
LENGTH PROJECTION	12.25"-13.75"
WEIGHT	2.1 kg 4.8 lbs
LAMPHOLDER	G9
MAX WATTAGE	6.5W
VOLTAGE	110/120v
ENVIRONMENTAL RATING	Dry Location (IP20)
CLASS PROTECTION	Class I
SHADE	GL196 MLCS001 MLCS070
FLEX BAR CHAIN LENGTH	n/a
CABLE TYPE	

FIXING BRACKET: MLWB11



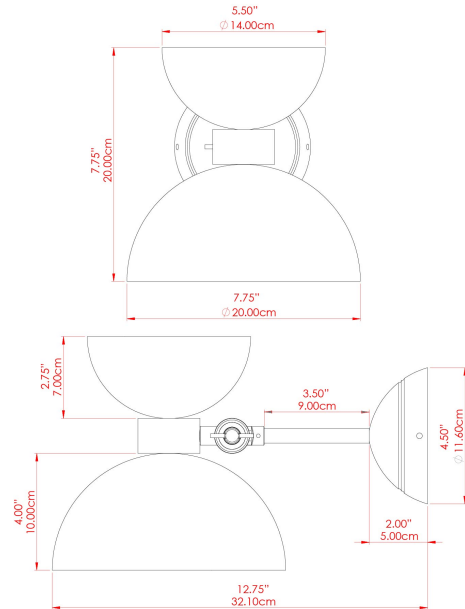
Product Notes:
1) Bulbs not included. 2) Dimensions do not include bulbs. 3) All products are individually made-to-order and therefore may differ slightly within manufacturing tolerances. 4) Cable / chain can be shortened during installation. Longer cable / chain lengths available on request. 5) Additional color finishes may be available on request. 6) Twisted cable is not available for UL wired products. Round cable in black or brown only is supplied instead. 7) Refer to our website for a full list of terms and conditions.





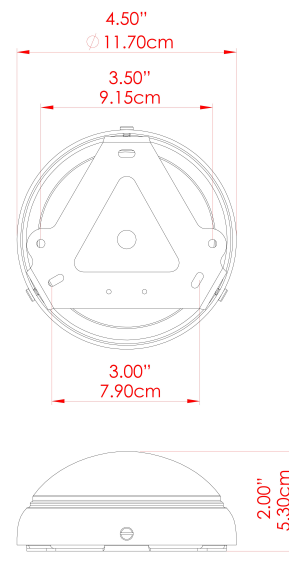
NAKAI Ceramic Wall Light

MLCMWL037POLBRSFR Polished Brass



MATERIAL	Brass Ceramic Glass
HEIGHT	9.5"
WIDTH DIAMETER	7.75"
LENGTH PROJECTION	12.25"-13.75"
WEIGHT	2.1 kg 4.8 lbs
LAMPHOLDER	G9
MAX WATTAGE	6.5W
VOLTAGE	110/120v
ENVIRONMENTAL RATING	Dry Location (IP20)
CLASS PROTECTION	Class I
SHADE	GL208 MLCS001 MLCS070
FLEX BAR CHAIN LENGTH	n/a
CABLE TYPE	

FIXING BRACKET: MLWB11



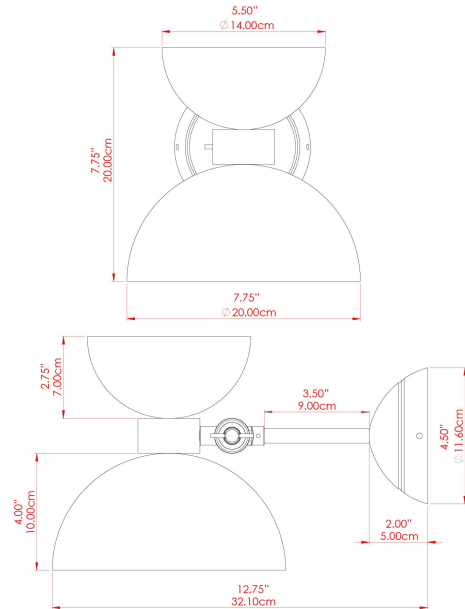
Product Notes:
 1) Bulbs not included. 2) Dimensions do not include bulbs. 3) All products are individually made-to-order and therefore may differ slightly within manufacturing tolerances. 4) Cable / chain can be shortened during installation. Longer cable / chain lengths available on request. 5) Additional color finishes may be available on request. 6) Twisted cable is not available for UL wired products. Round cable in black or brown only is supplied instead. 7) Refer to our website for a full list of terms and conditions.





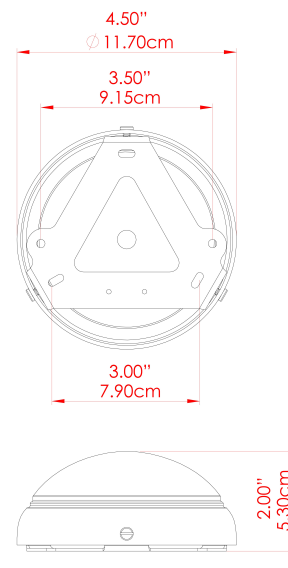
NAKAI Ceramic Wall Light

MLCMWL037POLBRSOP Polished Brass



MATERIAL	Brass Ceramic Glass
HEIGHT	9.5"
WIDTH DIAMETER	7.75"
LENGTH PROJECTION	12.25"-13.75"
WEIGHT	2.1 kg 4.8 lbs
LAMPHOLDER	G9
MAX WATTAGE	6.5W
VOLTAGE	110/120v
ENVIRONMENTAL RATING	Dry Location (IP20)
CLASS PROTECTION	Class I
SHADE	GL192 MLCS001 MLCS070
FLEX BAR CHAIN LENGTH	n/a
CABLE TYPE	

FIXING BRACKET: MLWB11



WWW.MULLANLIGHTING.COM

Product Notes:

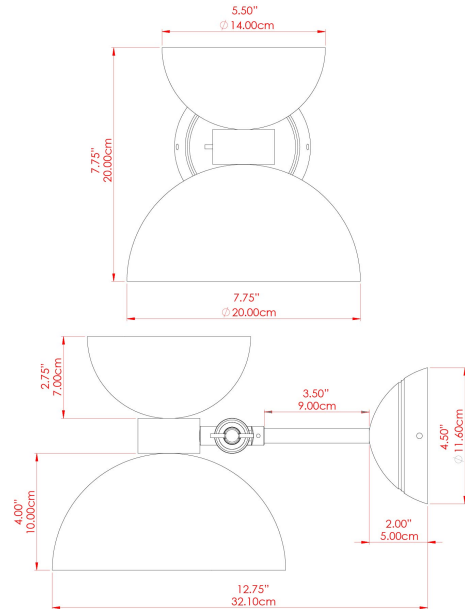
1) Bulbs not included. 2) Dimensions do not include bulbs. 3) All products are individually made-to-order and therefore may differ slightly within manufacturing tolerances. 4) Cable / chain can be shortened during installation. Longer cable / chain lengths available on request. 5) Additional color finishes may be available on request. 6) Twisted cable is not available for UL wired products. Round cable in black or brown only is supplied instead. 7) Refer to our website for a full list of terms and conditions.





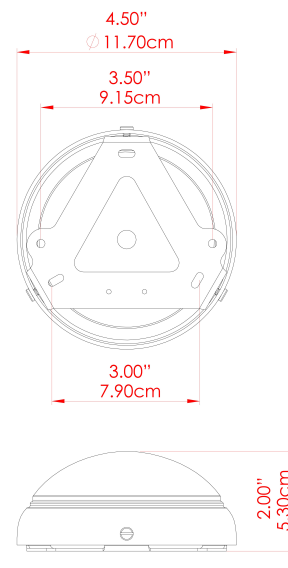
NAKAI Ceramic Wall Light

MLCMWL037SATBRSL Satin Brass



MATERIAL	Brass Ceramic Glass
HEIGHT	9.5"
WIDTH DIAMETER	7.75"
LENGTH PROJECTION	12.25"-13.75"
WEIGHT	2.1 kg 4.8 lbs
LAMPHOLDER	G9
MAX WATTAGE	6.5W
VOLTAGE	110/120v
ENVIRONMENTAL RATING	Dry Location (IP20)
CLASS PROTECTION	Class I
SHADE	GL196 MLCS001 MLCS070
FLEX BAR CHAIN LENGTH	n/a
CABLE TYPE	

FIXING BRACKET: MLWB11



WWW.MULLANLIGHTING.COM

Product Notes:

1) Bulbs not included. 2) Dimensions do not include bulbs. 3) All products are individually made-to-order and therefore may differ slightly within manufacturing tolerances. 4) Cable / chain can be shortened during installation. Longer cable / chain lengths available on request. 5) Additional color finishes may be available on request. 6) Twisted cable is not available for UL wired products. Round cable in black or brown only is supplied instead. 7) Refer to our website for a full list of terms and conditions.

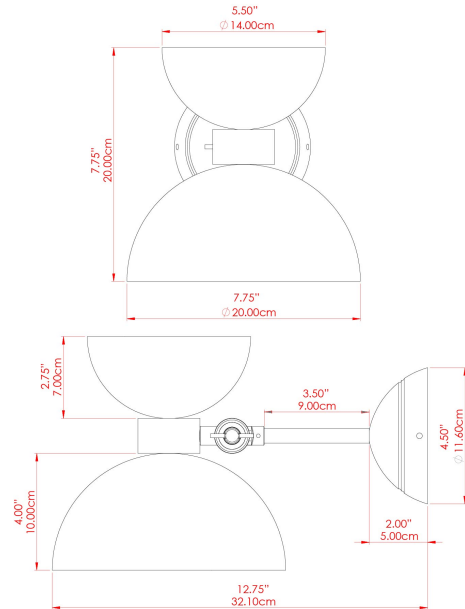


NAKAI Ceramic Wall Light

MLCMWL037SATBRSFR Satin Brass

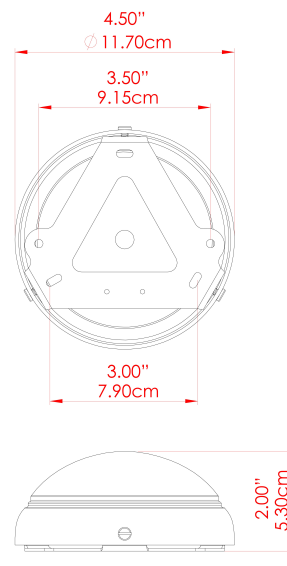


SATIN BRASS



MATERIAL	Brass Ceramic Glass
HEIGHT	9.5"
WIDTH DIAMETER	7.75"
LENGTH PROJECTION	12.25"-13.75"
WEIGHT	2.1 kg 4.8 lbs
LAMPHOLDER	G9
MAX WATTAGE	6.5W
VOLTAGE	110/120v
ENVIRONMENTAL RATING	Dry Location (IP20)
CLASS PROTECTION	Class I
SHADE	GL208 MLCS001 MLCS070
FLEX BAR CHAIN LENGTH	n/a
CABLE TYPE	

FIXING BRACKET: MLWB11



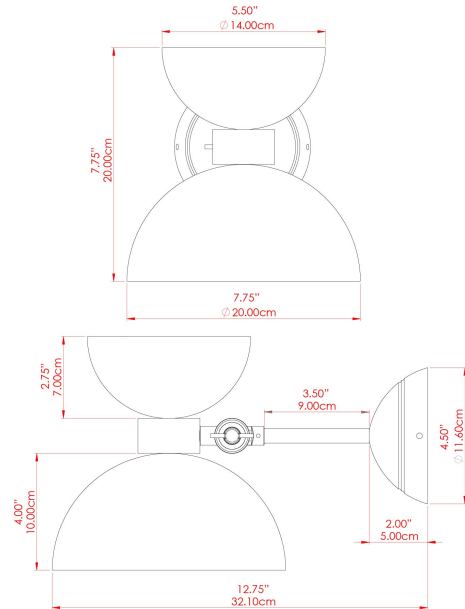
Product Notes:
 1) Bulbs not included. 2) Dimensions do not include bulbs. 3) All products are individually made-to-order and therefore may differ slightly within manufacturing tolerances. 4) Cable / chain can be shortened during installation. Longer cable / chain lengths available on request. 5) Additional color finishes may be available on request. 6) Twisted cable is not available for UL wired products. Round cable in black or brown only is supplied instead. 7) Refer to our website for a full list of terms and conditions.





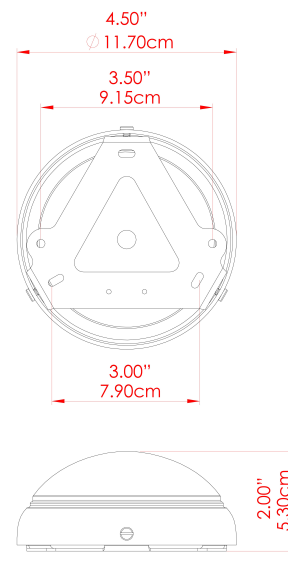
NAKAI Ceramic Wall Light

MLCMWL037SATBRSOP Satin Brass



MATERIAL	Brass Ceramic Glass
HEIGHT	9.5"
WIDTH DIAMETER	7.75"
LENGTH PROJECTION	12.25"-13.75"
WEIGHT	2.1 kg 4.8 lbs
LAMPHOLDER	G9
MAX WATTAGE	6.5W
VOLTAGE	110/120v
ENVIRONMENTAL RATING	Dry Location (IP20)
CLASS PROTECTION	Class I
SHADE	GL192 MLCS001 MLCS070
FLEX BAR CHAIN LENGTH	n/a
CABLE TYPE	

FIXING BRACKET: MLWB11



Product Notes:
1) Bulbs not included. 2) Dimensions do not include bulbs. 3) All products are individually made-to-order and therefore may differ slightly within manufacturing tolerances. 4) Cable / chain can be shortened during installation. Longer cable / chain lengths available on request. 5) Additional color finishes may be available on request. 6) Twisted cable is not available for UL wired products. Round cable in black or brown only is supplied instead. 7) Refer to our website for a full list of terms and conditions.

