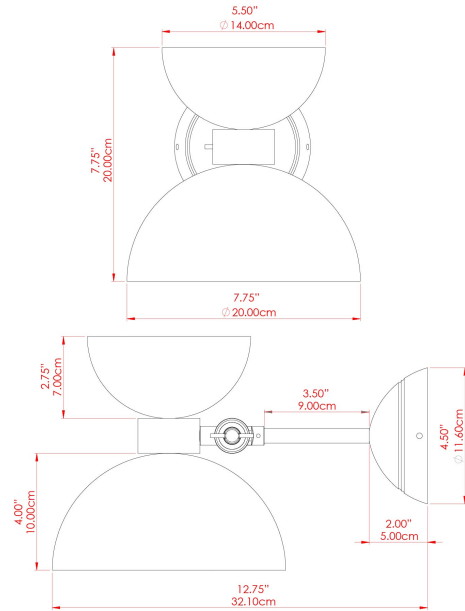


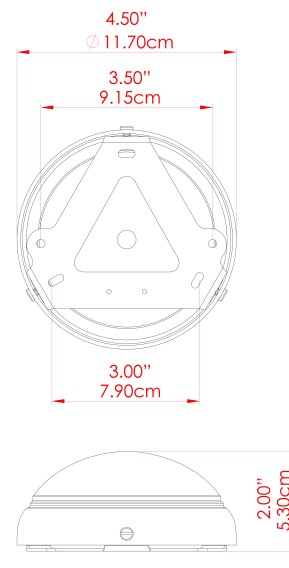
NAKAI Ceramic Wall Light

MLCMWL036ANTBRSFR Antique Brass



MATERIAL	Brass Ceramic Glass
HEIGHT	9.5"
WIDTH DIAMETER	7.75"
LENGTH PROJECTION	12.25"-13.75"
WEIGHT	2.1 kg 4.8 lbs
LAMPHOLDER	G9
MAX WATTAGE	6.5W
VOLTAGE	110/120v
ENVIRONMENTAL RATING	Dry Location (IP20)
CLASS PROTECTION	Class I
SHADE	GL208 MLCS087 MLCS088
FLEX BAR CHAIN LENGTH	n/a
CABLE TYPE	

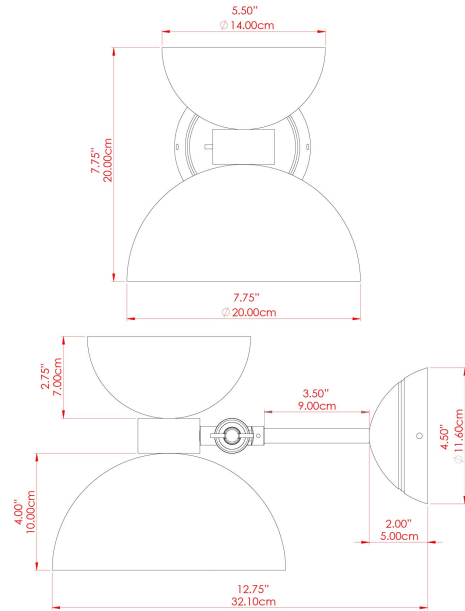
FIXING BRACKET: MLWB11





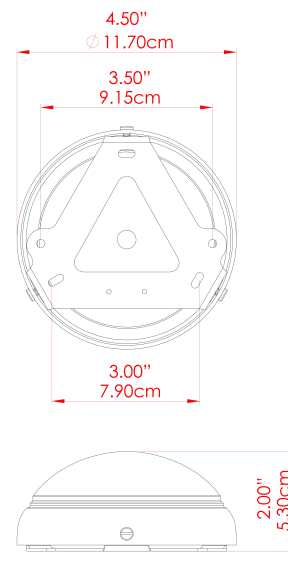
NAKAI Ceramic Wall Light

MLCMWL036ANTSLVCL Antique Silver



MATERIAL	Brass Ceramic Glass
HEIGHT	9.5"
WIDTH DIAMETER	7.75"
LENGTH PROJECTION	12.25"-13.75"
WEIGHT	2.1 kg 4.8 lbs
LAMPHOLDER	G9
MAX WATTAGE	25W
VOLTAGE	110/120v
ENVIRONMENTAL RATING	Dry Location (IP20)
CLASS PROTECTION	Class I
SHADE	GL196 MLCS087 MLCS088
FLEX BAR CHAIN LENGTH	n/a
CABLE TYPE	

FIXING BRACKET: MLWB11



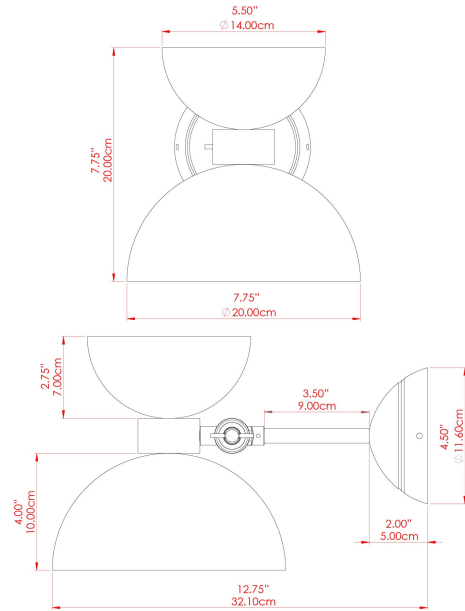
Product Notes:
1) Bulbs not included. 2) Dimensions do not include bulbs. 3) All products are individually made-to-order and therefore may differ slightly within manufacturing tolerances. 4) Cable / chain can be shortened during installation. Longer cable / chain lengths available on request. 5) Additional color finishes may be available on request. 6) Twisted cable is not available for UL wired products. Round cable in black or brown only is supplied instead. 7) Refer to our website for a full list of terms and conditions.





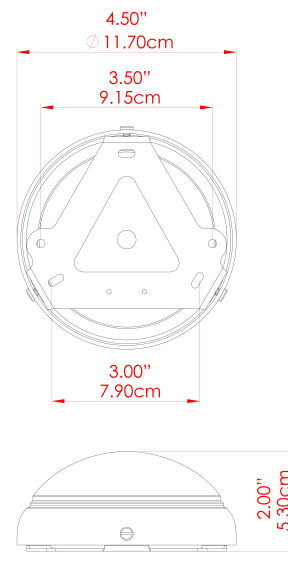
NAKAI Ceramic Wall Light

MLCMWL036ANTSLVFR Antique Silver



MATERIAL	Brass Ceramic Glass
HEIGHT	9.5"
WIDTH DIAMETER	7.75"
LENGTH PROJECTION	12.25"-13.75"
WEIGHT	2.1 kg 4.8 lbs
LAMPHOLDER	G9
MAX WATTAGE	25W
VOLTAGE	110/120v
ENVIRONMENTAL RATING	Dry Location (IP20)
CLASS PROTECTION	Class I
SHADE	GL208 MLCS087 MLCS088
FLEX BAR CHAIN LENGTH	n/a
CABLE TYPE	

FIXING BRACKET: MLWB11

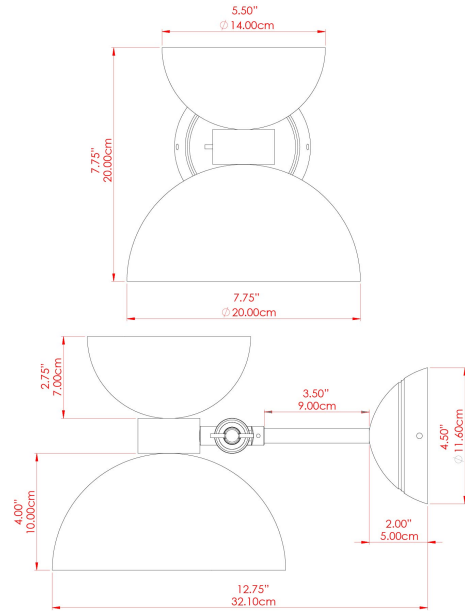


Product Notes:
1) Bulbs not included. 2) Dimensions do not include bulbs. 3) All products are individually made-to-order and therefore may differ slightly within manufacturing tolerances. 4) Cable / chain can be shortened during installation. Longer cable / chain lengths available on request. 5) Additional color finishes may be available on request. 6) Twisted cable is not available for UL wired products. Round cable in black or brown only is supplied instead. 7) Refer to our website for a full list of terms and conditions.



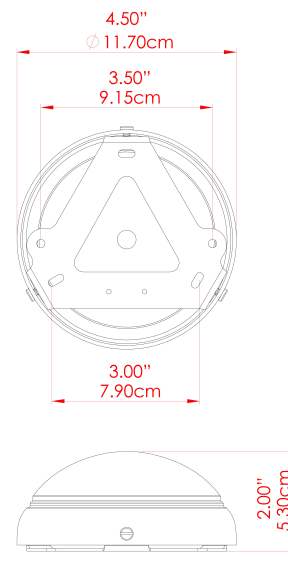
NAKAI Ceramic Wall Light

MLCMWL036ANTBRSCS Antique Brass



MATERIAL	Brass Ceramic Glass
HEIGHT	9.5"
WIDTH DIAMETER	7.75"
LENGTH PROJECTION	12.25"-13.75"
WEIGHT	2.1 kg 4.8 lbs
LAMPHOLDER	G9
MAX WATTAGE	6.5W
VOLTAGE	110/120v
ENVIRONMENTAL RATING	Dry Location (IP20)
CLASS PROTECTION	Class I
SHADE	GL192 MLCS087 MLCS088
FLEX BAR CHAIN LENGTH	n/a
CABLE TYPE	

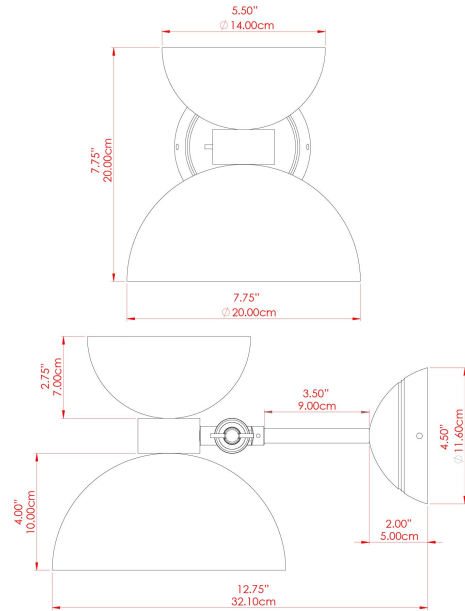
FIXING BRACKET: MLWB11





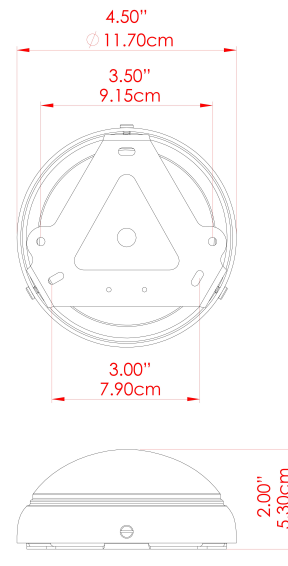
NAKAI Ceramic Wall Light

MLCMWL036ANTBRSOP Antique Brass



MATERIAL	Brass Ceramic Glass
HEIGHT	9.5"
WIDTH DIAMETER	7.75"
LENGTH PROJECTION	12.25"-13.75"
WEIGHT	2.1 kg 4.8 lbs
LAMPHOLDER	G9
MAX WATTAGE	6.5W
VOLTAGE	110/120v
ENVIRONMENTAL RATING	Dry Location (IP20)
CLASS PROTECTION	Class I
SHADE	GL192 MLCS087 MLCS088
FLEX BAR CHAIN LENGTH	n/a
CABLE TYPE	

FIXING BRACKET: MLWB11



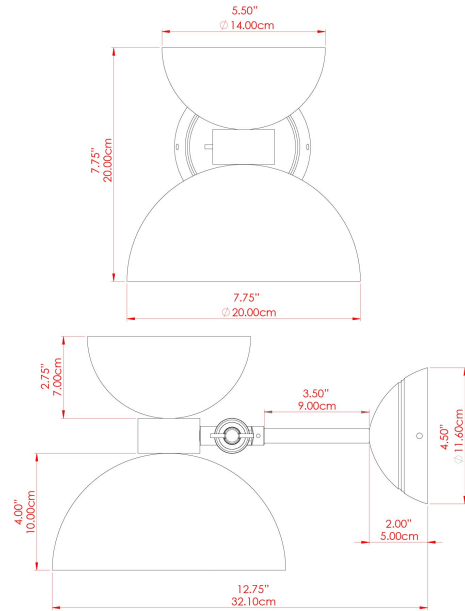
Product Notes:
1) Bulbs not included. 2) Dimensions do not include bulbs. 3) All products are individually made-to-order and therefore may differ slightly within manufacturing tolerances. 4) Cable / chain can be shortened during installation. Longer cable / chain lengths available on request. 5) Additional color finishes may be available on request. 6) Twisted cable is not available for UL wired products. Round cable in black or brown only is supplied instead. 7) Refer to our website for a full list of terms and conditions.





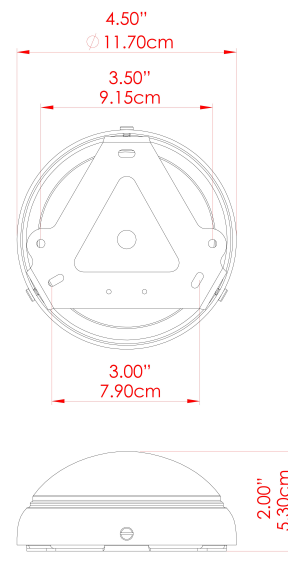
NAKAI Ceramic Wall Light

MLCMWL036ANTSLVOP Antique Silver



MATERIAL	Brass Ceramic Glass
HEIGHT	9.5"
WIDTH DIAMETER	7.75"
LENGTH PROJECTION	12.25"-13.75"
WEIGHT	2.1 kg 4.8 lbs
LAMPHOLDER	G9
MAX WATTAGE	25W
VOLTAGE	110/120v
ENVIRONMENTAL RATING	Dry Location (IP20)
CLASS PROTECTION	Class I
SHADE	GL192 MLCS087 MLCS088
FLEX BAR CHAIN LENGTH	n/a
CABLE TYPE	

FIXING BRACKET: MLWB11



WWW.MULLANLIGHTING.COM

Product Notes:

1) Bulbs not included. 2) Dimensions do not include bulbs. 3) All products are individually made-to-order and therefore may differ slightly within manufacturing tolerances. 4) Cable / chain can be shortened during installation. Longer cable / chain lengths available on request. 5) Additional color finishes may be available on request. 6) Twisted cable is not available for UL wired products. Round cable in black or brown only is supplied instead. 7) Refer to our website for a full list of terms and conditions.

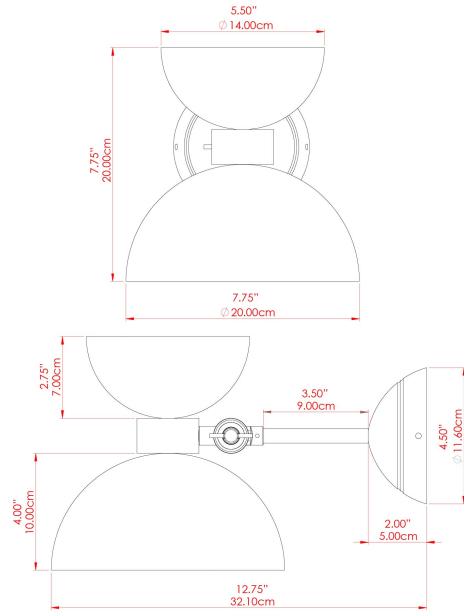


NAKAI Ceramic Wall Light

MLCMWL036PCMBKCL Matt Black

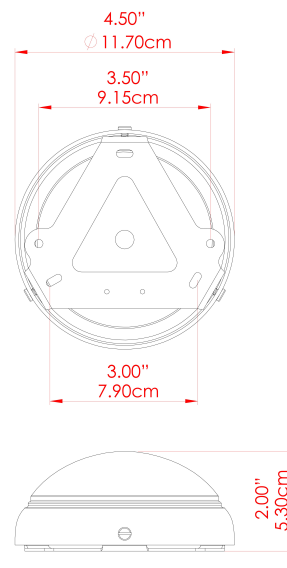


POWDER-COATED
MATTE BLACK



MATERIAL	Brass Ceramic Glass
HEIGHT	9.5"
WIDTH DIAMETER	7.75"
LENGTH PROJECTION	12.25"-13.75"
WEIGHT	2.1 kg 4.8 lbs
LAMPHOLDER	G9
MAX WATTAGE	6.5W
VOLTAGE	110/120v
ENVIRONMENTAL RATING	Dry Location (IP20)
CLASS PROTECTION	Class I
SHADE	GL196 MLCS087 MLCS088
FLEX BAR CHAIN LENGTH	n/a
CABLE TYPE	

FIXING BRACKET: MLWB11



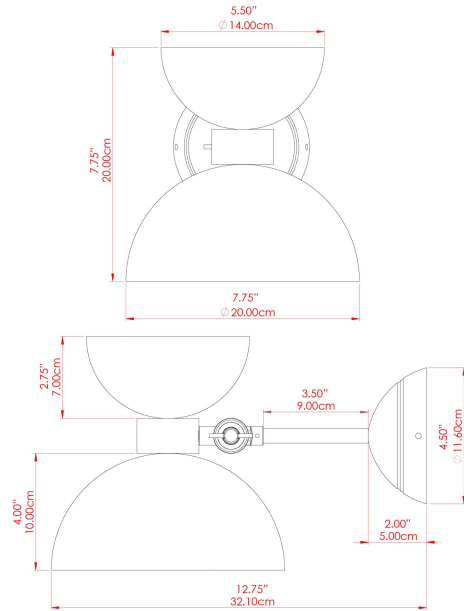
Product Notes:
 1) Bulbs not included. 2) Dimensions do not include bulbs. 3) All products are individually made-to-order and therefore may differ slightly within manufacturing tolerances. 4) Cable / chain can be shortened during installation. Longer cable / chain lengths available on request. 5) Additional color finishes may be available on request. 6) Twisted cable is not available for UL wired products. Round cable in black or brown only is supplied instead. 7) Refer to our website for a full list of terms and conditions.





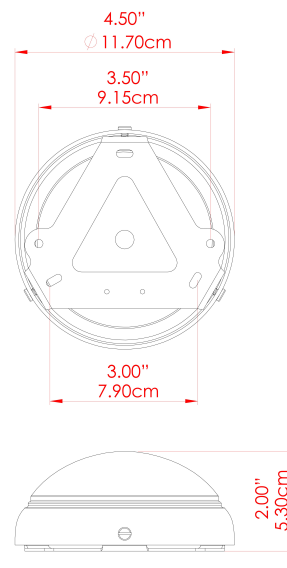
NAKAI Ceramic Wall Light

MLCMWL036PCMBKFR Matt Black



MATERIAL	Brass Ceramic Glass
HEIGHT	9.5"
WIDTH DIAMETER	7.75"
LENGTH PROJECTION	12.25"-13.75"
WEIGHT	2.1 kg 4.8 lbs
LAMPHOLDER	G9
MAX WATTAGE	6.5W
VOLTAGE	110/120v
ENVIRONMENTAL RATING	Dry Location (IP20)
CLASS PROTECTION	Class I
SHADE	GL208 MLCS087 MLCS088
FLEX BAR CHAIN LENGTH	n/a
CABLE TYPE	

FIXING BRACKET: MLWB11



Product Notes:
 1) Bulbs not included. 2) Dimensions do not include bulbs. 3) All products are individually made-to-order and therefore may differ slightly within manufacturing tolerances. 4) Cable / chain can be shortened during installation. Longer cable / chain lengths available on request. 5) Additional color finishes may be available on request. 6) Twisted cable is not available for UL wired products. Round cable in black or brown only is supplied instead. 7) Refer to our website for a full list of terms and conditions.



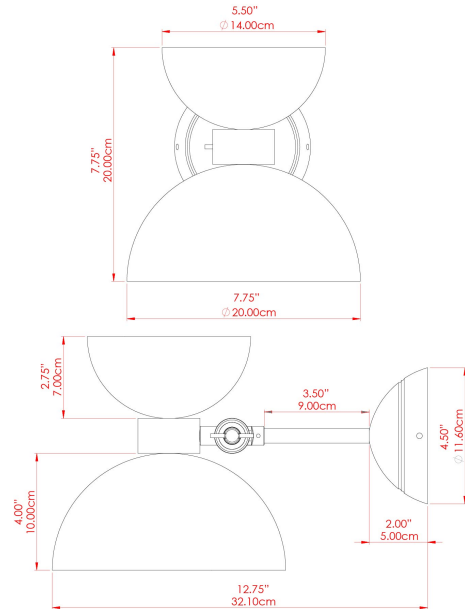


NAKAI Ceramic Wall Light

MLCMWL036PCMBKOP Matt Black

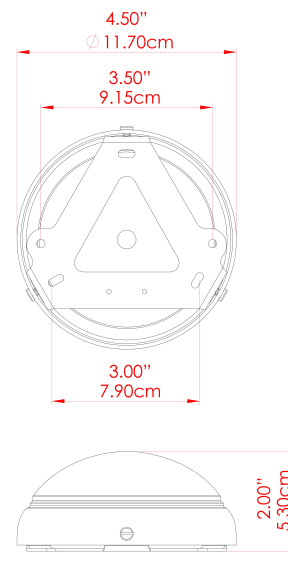


POWDER-COATED
MATTE BLACK



MATERIAL	Brass Ceramic Glass
HEIGHT	9.5"
WIDTH DIAMETER	7.75"
LENGTH PROJECTION	12.25"-13.75"
WEIGHT	2.1 kg 4.8 lbs
LAMPHOLDER	G9
MAX WATTAGE	6.5W
VOLTAGE	110/120v
ENVIRONMENTAL RATING	Dry Location (IP20)
CLASS PROTECTION	Class I
SHADE	GL192 MLCS087 MLCS088
FLEX BAR CHAIN LENGTH	n/a
CABLE TYPE	

FIXING BRACKET: MLWB11



WWW.MULLANLIGHTING.COM

Product Notes:

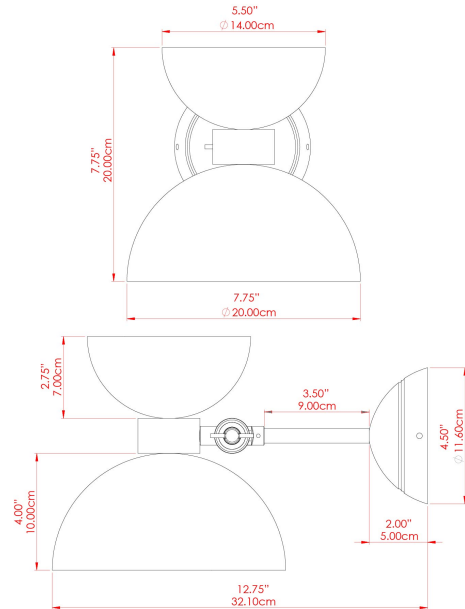
1) Bulbs not included. 2) Dimensions do not include bulbs. 3) All products are individually made-to-order and therefore may differ slightly within manufacturing tolerances. 4) Cable / chain can be shortened during installation. Longer cable / chain lengths available on request. 5) Additional color finishes may be available on request. 6) Twisted cable is not available for UL wired products. Round cable in black or brown only is supplied instead. 7) Refer to our website for a full list of terms and conditions.





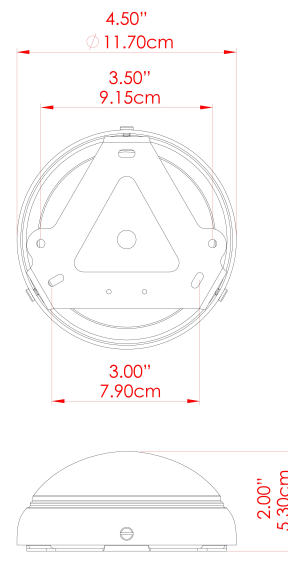
NAKAI Ceramic Wall Light

MLCMWL036POLBRSCl Polished Brass



MATERIAL	Brass Ceramic Glass
HEIGHT	9.5"
WIDTH DIAMETER	7.75"
LENGTH PROJECTION	12.25"-13.75"
WEIGHT	2.1 kg 4.8 lbs
LAMPHOLDER	G9
MAX WATTAGE	6.5W
VOLTAGE	110/120v
ENVIRONMENTAL RATING	Dry Location (IP20)
CLASS PROTECTION	Class I
SHADE	GL196 MLCS087 MLCS088
FLEX BAR CHAIN LENGTH	n/a
CABLE TYPE	

FIXING BRACKET: MLWB11



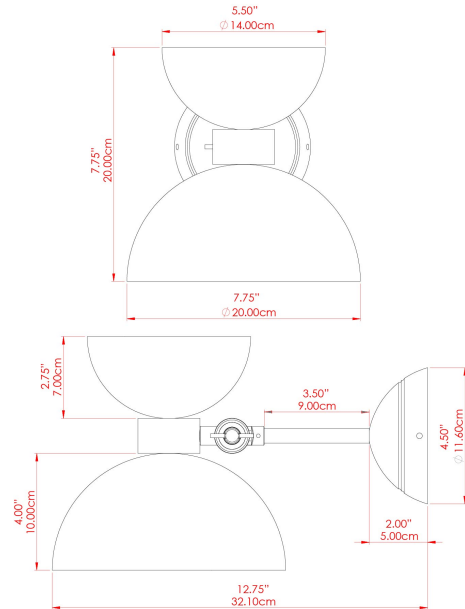
Product Notes:
1) Bulbs not included. 2) Dimensions do not include bulbs. 3) All products are individually made-to-order and therefore may differ slightly within manufacturing tolerances. 4) Cable / chain can be shortened during installation. Longer cable / chain lengths available on request. 5) Additional color finishes may be available on request. 6) Twisted cable is not available for UL wired products. Round cable in black or brown only is supplied instead. 7) Refer to our website for a full list of terms and conditions.





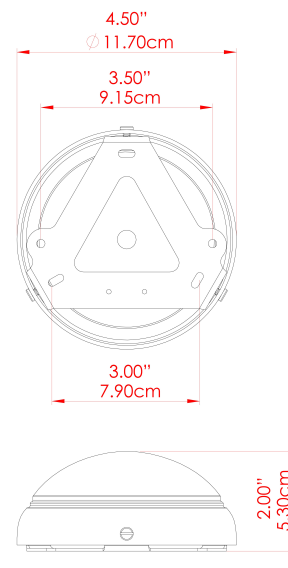
NAKAI Ceramic Wall Light

MLCMWL036POLBRSFR Polished Brass



MATERIAL	Brass Ceramic Glass
HEIGHT	9.5"
WIDTH DIAMETER	7.75"
LENGTH PROJECTION	12.25"-13.75"
WEIGHT	2.1 kg 4.8 lbs
LAMPHOLDER	G9
MAX WATTAGE	6.5W
VOLTAGE	110/120v
ENVIRONMENTAL RATING	Dry Location (IP20)
CLASS PROTECTION	Class I
SHADE	GL208 MLCS087 MLCS088
FLEX BAR CHAIN LENGTH	n/a
CABLE TYPE	

FIXING BRACKET: MLWB11



Product Notes:

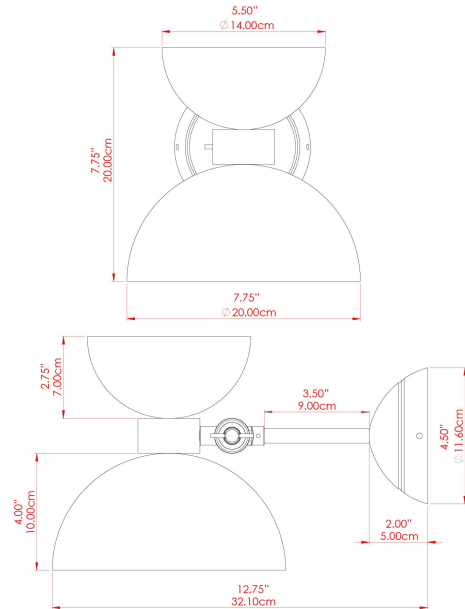
1) Bulbs not included. 2) Dimensions do not include bulbs. 3) All products are individually made-to-order and therefore may differ slightly within manufacturing tolerances. 4) Cable / chain can be shortened during installation. Longer cable / chain lengths available on request. 5) Additional color finishes may be available on request. 6) Twisted cable is not available for UL wired products. Round cable in black or brown only is supplied instead. 7) Refer to our website for a full list of terms and conditions.





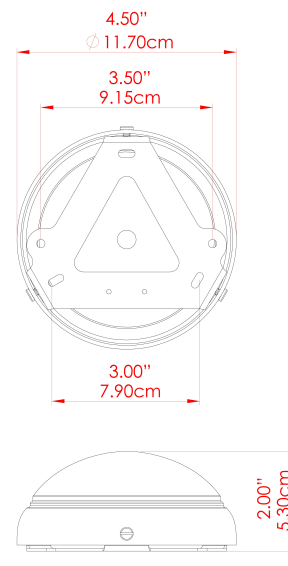
NAKAI Ceramic Wall Light

MLCMWL036POLBRSOP Polished Brass



MATERIAL	Brass Ceramic Glass
HEIGHT	9.5"
WIDTH DIAMETER	7.75"
LENGTH PROJECTION	12.25"-13.75"
WEIGHT	2.1 kg 4.8 lbs
LAMPHOLDER	G9
MAX WATTAGE	6.5W
VOLTAGE	110/120v
ENVIRONMENTAL RATING	Dry Location (IP20)
CLASS PROTECTION	Class I
SHADE	GL192 MLCS087 MLCS088
FLEX BAR CHAIN LENGTH	n/a
CABLE TYPE	

FIXING BRACKET: MLWB11



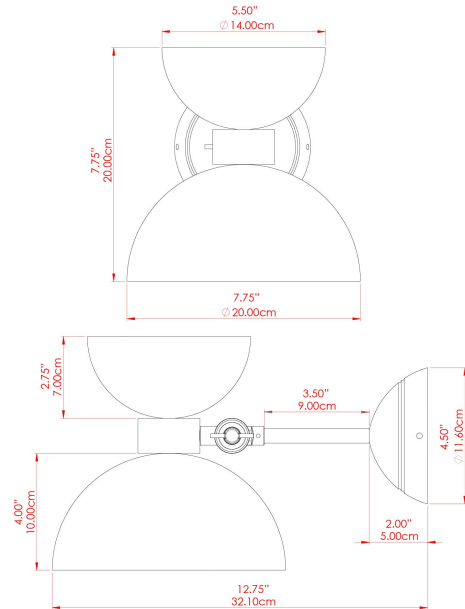
Product Notes:
1) Bulbs not included. 2) Dimensions do not include bulbs. 3) All products are individually made-to-order and therefore may differ slightly within manufacturing tolerances. 4) Cable / chain can be shortened during installation. Longer cable / chain lengths available on request. 5) Additional color finishes may be available on request. 6) Twisted cable is not available for UL wired products. Round cable in black or brown only is supplied instead. 7) Refer to our website for a full list of terms and conditions.





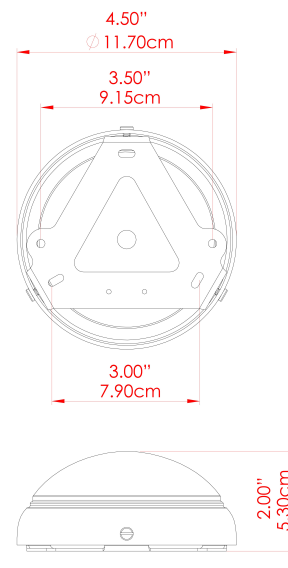
NAKAI Ceramic Wall Light

MLCMWL036SATBRSL Satin Brass



MATERIAL	Brass Ceramic Glass
HEIGHT	9.5"
WIDTH DIAMETER	7.75"
LENGTH PROJECTION	12.25"-13.75"
WEIGHT	2.1 kg 4.8 lbs
LAMPHOLDER	G9
MAX WATTAGE	6.5W
VOLTAGE	110/120v
ENVIRONMENTAL RATING	Dry Location (IP20)
CLASS PROTECTION	Class I
SHADE	GL196 MLCS087 MLCS088
FLEX BAR CHAIN LENGTH	n/a
CABLE TYPE	

FIXING BRACKET: MLWB11



WWW.MULLANLIGHTING.COM

Product Notes:

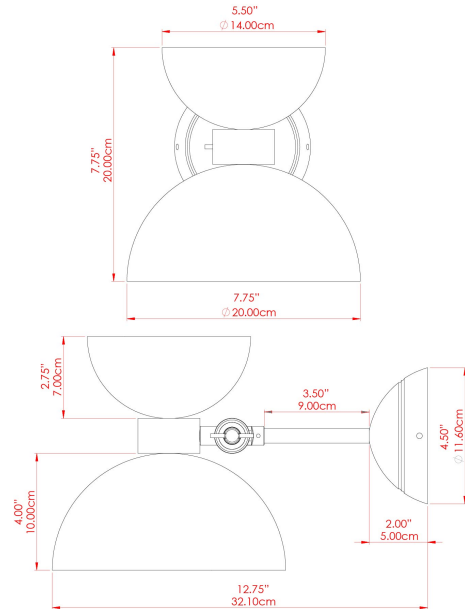
1) Bulbs not included. 2) Dimensions do not include bulbs. 3) All products are individually made-to-order and therefore may differ slightly within manufacturing tolerances. 4) Cable / chain can be shortened during installation. Longer cable / chain lengths available on request. 5) Additional color finishes may be available on request. 6) Twisted cable is not available for UL wired products. Round cable in black or brown only is supplied instead. 7) Refer to our website for a full list of terms and conditions.





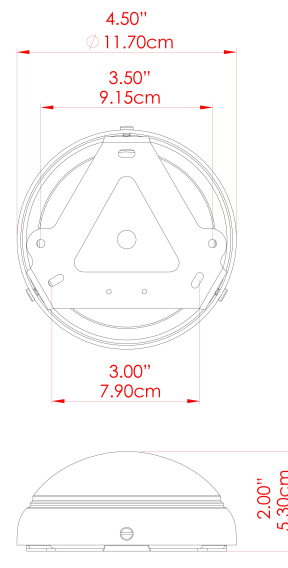
NAKAI Ceramic Wall Light

MLCMWL036SATBRSFR Satin Brass



MATERIAL	Brass Ceramic Glass
HEIGHT	9.5"
WIDTH DIAMETER	7.75"
LENGTH PROJECTION	12.25"-13.75"
WEIGHT	2.1 kg 4.8 lbs
LAMPHOLDER	G9
MAX WATTAGE	6.5W
VOLTAGE	110/120v
ENVIRONMENTAL RATING	Dry Location (IP20)
CLASS PROTECTION	Class I
SHADE	GL208 MLCS087 MLCS088
FLEX BAR CHAIN LENGTH	n/a
CABLE TYPE	

FIXING BRACKET: MLWB11



WWW.MULLANLIGHTING.COM

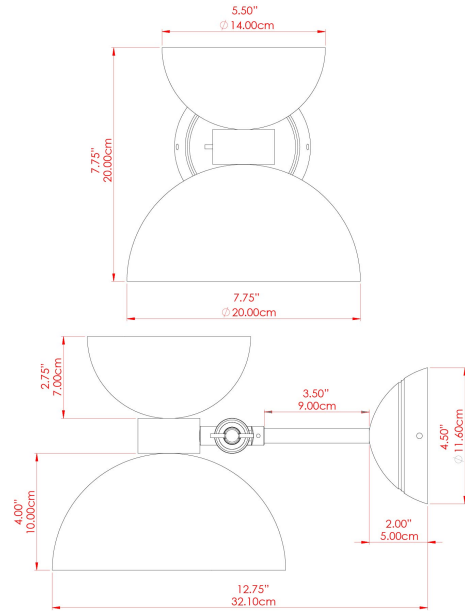
Product Notes:

1) Bulbs not included. 2) Dimensions do not include bulbs. 3) All products are individually made-to-order and therefore may differ slightly within manufacturing tolerances. 4) Cable / chain can be shortened during installation. Longer cable / chain lengths available on request. 5) Additional color finishes may be available on request. 6) Twisted cable is not available for UL wired products. Round cable in black or brown only is supplied instead. 7) Refer to our website for a full list of terms and conditions.



NAKAI Ceramic Wall Light

MLCMWL036SATBRSOP Satin Brass



MATERIAL	Brass Ceramic Glass
HEIGHT	9.5"
WIDTH DIAMETER	7.75"
LENGTH PROJECTION	12.25"-13.75"
WEIGHT	2.1 kg 4.8 lbs
LAMPHOLDER	G9
MAX WATTAGE	6.5W
VOLTAGE	110/120v
ENVIRONMENTAL RATING	Dry Location (IP20)
CLASS PROTECTION	Class I
SHADE	GL192 MLCS087 MLCS088
FLEX BAR CHAIN LENGTH	n/a
CABLE TYPE	

FIXING BRACKET: MLWB11

