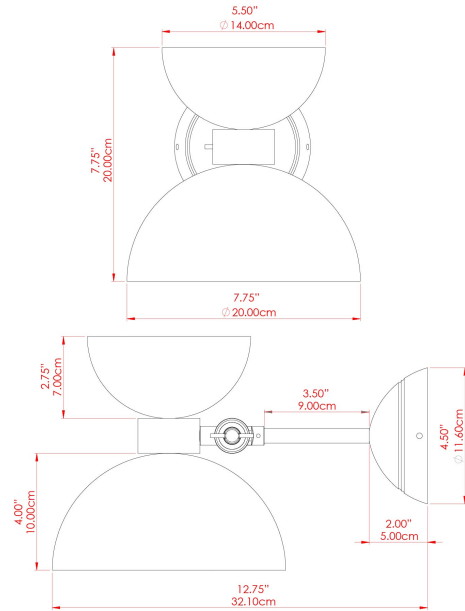


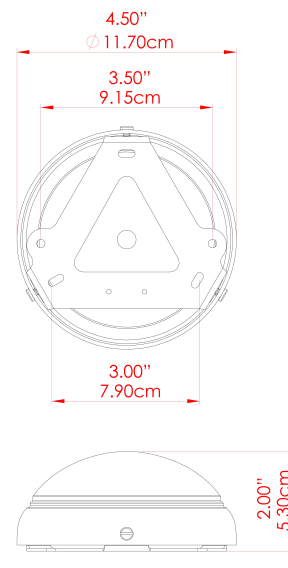
NAKAI Ceramic Wall Light

MLCMWL035ANTBRSC Antique Brass



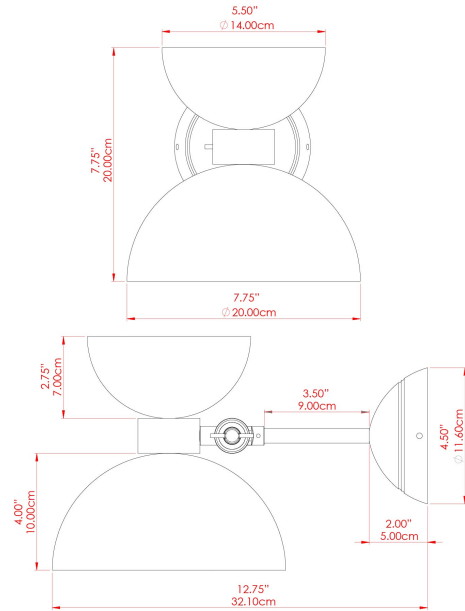
| | |
|---------------------------|---------------------------|
| MATERIAL | Brass Ceramic Glass |
| HEIGHT | 9.5" |
| WIDTH DIAMETER | 7.75" |
| LENGTH PROJECTION | 12.25"-13.75" |
| WEIGHT | 2.1 kg 4.8 lbs |
| LAMPHOLDER | G9 |
| MAX WATTAGE | 6.5W |
| VOLTAGE | 110/120v |
| ENVIRONMENTAL RATING | Dry Location (IP20) |
| CLASS PROTECTION | Class I |
| SHADE | GL196 MLCS035 MLCS043 |
| FLEX BAR CHAIN LENGTH | n/a |
| CABLE TYPE | |

FIXING BRACKET: MLWB11



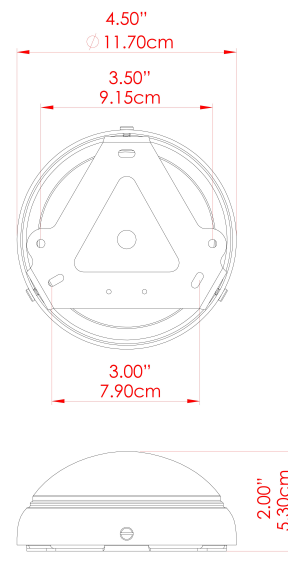
NAKAI Ceramic Wall Light

MLCMWL035ANTBRSFR Antique Brass



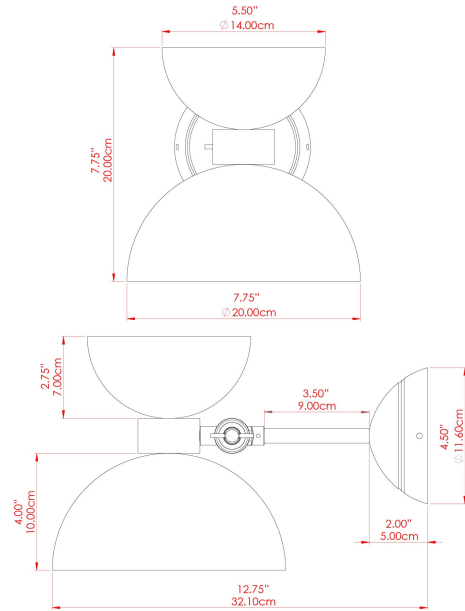
| | |
|---------------------------|---------------------------|
| MATERIAL | Brass Ceramic Glass |
| HEIGHT | 9.5" |
| WIDTH DIAMETER | 7.75" |
| LENGTH PROJECTION | 12.25"-13.75" |
| WEIGHT | 2.1 kg 4.8 lbs |
| LAMPHOLDER | G9 |
| MAX WATTAGE | 6.5W |
| VOLTAGE | 110/120v |
| ENVIRONMENTAL RATING | Dry Location (IP20) |
| CLASS PROTECTION | Class I |
| SHADE | GL208 MLCS035 MLCS043 |
| FLEX BAR CHAIN LENGTH | n/a |
| CABLE TYPE | |

FIXING BRACKET: MLWB11



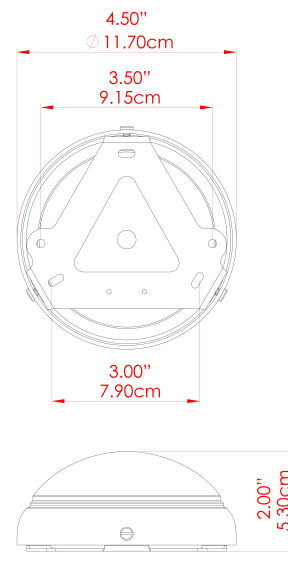
NAKAI Ceramic Wall Light

MLCMWL035ANTBRSOP Antique Brass



| | |
|---------------------------|---------------------------|
| MATERIAL | Brass Ceramic Glass |
| HEIGHT | 9.5" |
| WIDTH DIAMETER | 7.75" |
| LENGTH PROJECTION | 12.25"-13.75" |
| WEIGHT | 2.1 kg 4.8 lbs |
| LAMPHOLDER | G9 |
| MAX WATTAGE | 6.5W |
| VOLTAGE | 110/120v |
| ENVIRONMENTAL RATING | Dry Location (IP20) |
| CLASS PROTECTION | Class I |
| SHADE | GL192 MLCS035 MLCS043 |
| FLEX BAR CHAIN LENGTH | n/a |
| CABLE TYPE | |

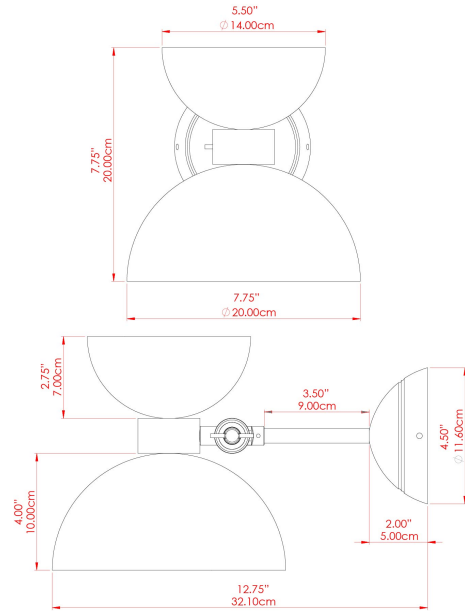
FIXING BRACKET: MLWB11





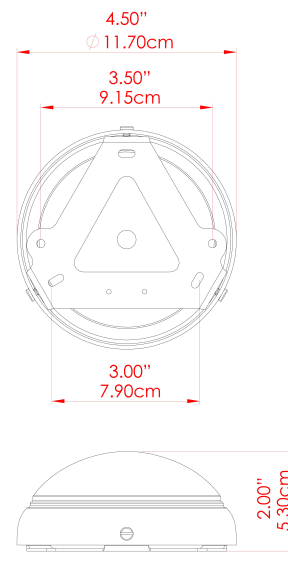
NAKAI Ceramic Wall Light

MLCMWL035ANTSLVCL Antique Silver



| | |
|---------------------------|---------------------------|
| MATERIAL | Brass Ceramic Glass |
| HEIGHT | 9.5" |
| WIDTH DIAMETER | 7.75" |
| LENGTH PROJECTION | 12.25"-13.75" |
| WEIGHT | 2.1 kg 4.8 lbs |
| LAMPHOLDER | G9 |
| MAX WATTAGE | 6.5W |
| VOLTAGE | 110/120v |
| ENVIRONMENTAL RATING | Dry Location (IP20) |
| CLASS PROTECTION | Class I |
| SHADE | GL196 MLCS035 MLCS043 |
| FLEX BAR CHAIN LENGTH | n/a |
| CABLE TYPE | |

FIXING BRACKET: MLWB11

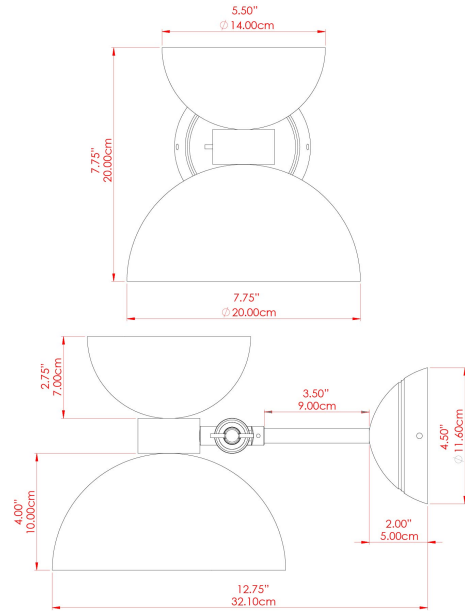


Product Notes:
1) Bulbs not included. 2) Dimensions do not include bulbs. 3) All products are individually made-to-order and therefore may differ slightly within manufacturing tolerances. 4) Cable / chain can be shortened during installation. Longer cable / chain lengths available on request. 5) Additional color finishes may be available on request. 6) Twisted cable is not available for UL wired products. Round cable in black or brown only is supplied instead. 7) Refer to our website for a full list of terms and conditions.



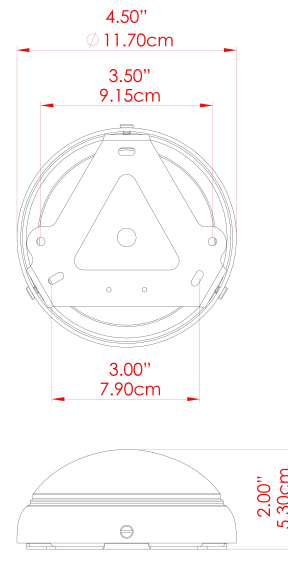
NAKAI Ceramic Wall Light

MLCMWL035ANTSLVFR Antique Silver



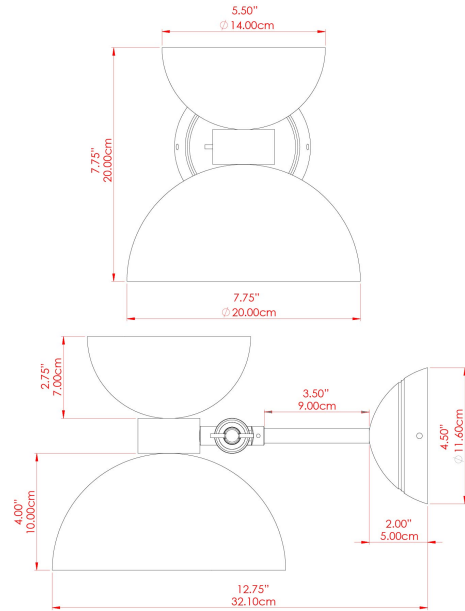
| | |
|---------------------------|---------------------------|
| MATERIAL | Brass Ceramic Glass |
| HEIGHT | 9.5" |
| WIDTH DIAMETER | 7.75" |
| LENGTH PROJECTION | 12.25"-13.75" |
| WEIGHT | 2.1 kg 4.8 lbs |
| LAMPHOLDER | G9 |
| MAX WATTAGE | 6.5W |
| VOLTAGE | 110/120v |
| ENVIRONMENTAL RATING | Dry Location (IP20) |
| CLASS PROTECTION | Class I |
| SHADE | GL208 MLCS035 MLCS043 |
| FLEX BAR CHAIN LENGTH | n/a |
| CABLE TYPE | |

FIXING BRACKET: MLWB11



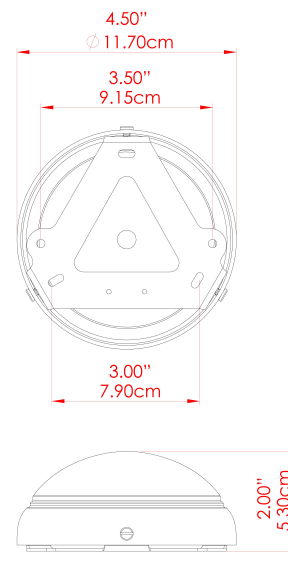
NAKAI Ceramic Wall Light

MLCMWL035ANTSLVOP Antique Silver



| | |
|---------------------------|---------------------------|
| MATERIAL | Brass Ceramic Glass |
| HEIGHT | 9.5" |
| WIDTH DIAMETER | 7.75" |
| LENGTH PROJECTION | 12.25"-13.75" |
| WEIGHT | 2.1 kg 4.8 lbs |
| LAMPHOLDER | G9 |
| MAX WATTAGE | 6.5W |
| VOLTAGE | 110/120v |
| ENVIRONMENTAL RATING | Dry Location (IP20) |
| CLASS PROTECTION | Class I |
| SHADE | GL192 MLCS035 MLCS043 |
| FLEX BAR CHAIN LENGTH | n/a |
| CABLE TYPE | |

FIXING BRACKET: MLWB11



Product Notes:
 1) Bulbs not included. 2) Dimensions do not include bulbs. 3) All products are individually made-to-order and therefore may differ slightly within manufacturing tolerances. 4) Cable / chain can be shortened during installation. Longer cable / chain lengths available on request. 5) Additional color finishes may be available on request. 6) Twisted cable is not available for UL wired products. Round cable in black or brown only is supplied instead. 7) Refer to our website for a full list of terms and conditions.



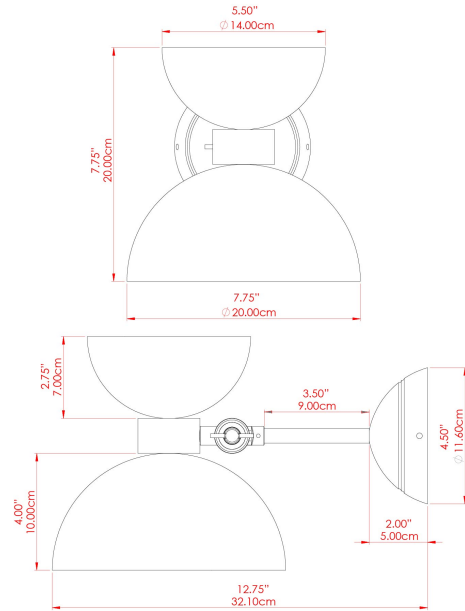


NAKAI Ceramic Wall Light

MLCMWL035PCMBKCL Matt Black

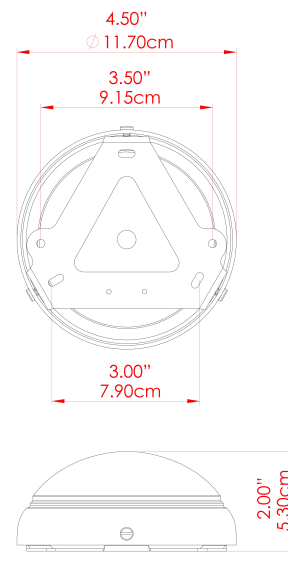


POWDER-COATED
MATTE BLACK



| | |
|---------------------------|---------------------------|
| MATERIAL | Brass Ceramic Glass |
| HEIGHT | 9.5" |
| WIDTH DIAMETER | 7.75" |
| LENGTH PROJECTION | 12.25"-13.75" |
| WEIGHT | 2.1 kg 4.8 lbs |
| LAMPHOLDER | G9 |
| MAX WATTAGE | 25W |
| VOLTAGE | 110/120v |
| ENVIRONMENTAL RATING | Dry Location (IP20) |
| CLASS PROTECTION | Class I |
| SHADE | GL196 MLCS035 MLCS043 |
| FLEX BAR CHAIN LENGTH | n/a |
| CABLE TYPE | |

FIXING BRACKET: MLWB11



WWW.MULLANLIGHTING.COM

Product Notes:

1) Bulbs not included. 2) Dimensions do not include bulbs. 3) All products are individually made-to-order and therefore may differ slightly within manufacturing tolerances. 4) Cable / chain can be shortened during installation. Longer cable / chain lengths available on request. 5) Additional color finishes may be available on request. 6) Twisted cable is not available for UL wired products. Round cable in black or brown only is supplied instead. 7) Refer to our website for a full list of terms and conditions.



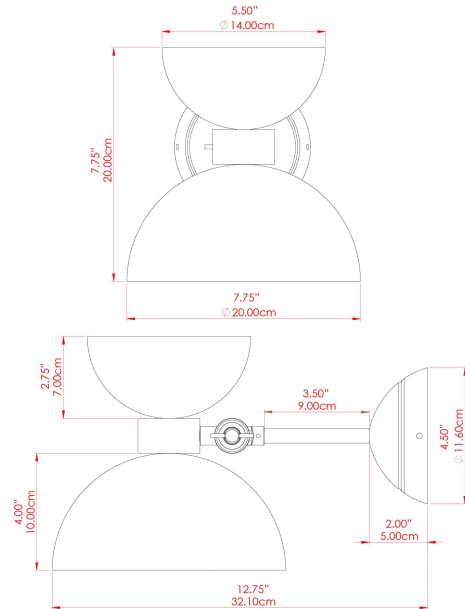


NAKAI Ceramic Wall Light

MLCMWL035PCMBKFR Matt Black

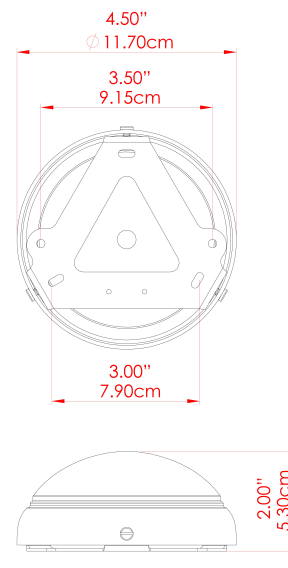


POWDER-COATED
MATTE BLACK



| | |
|---------------------------|---------------------------|
| MATERIAL | Brass Ceramic Glass |
| HEIGHT | 9.5" |
| WIDTH DIAMETER | 7.75" |
| LENGTH PROJECTION | 12.25"-13.75" |
| WEIGHT | 2.1 kg 4.8 lbs |
| LAMPHOLDER | G9 |
| MAX WATTAGE | 25W |
| VOLTAGE | 110/120v |
| ENVIRONMENTAL RATING | Dry Location (IP20) |
| CLASS PROTECTION | Class I |
| SHADE | GL208 MLCS035 MLCS043 |
| FLEX BAR CHAIN LENGTH | n/a |
| CABLE TYPE | |

FIXING BRACKET: MLWB11



WWW.MULLANLIGHTING.COM

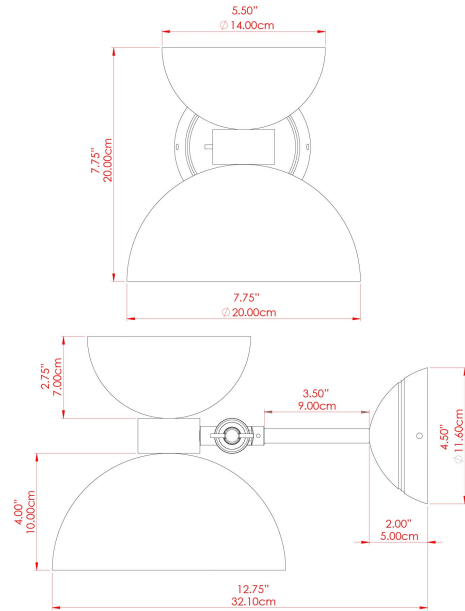
Product Notes:

1) Bulbs not included. 2) Dimensions do not include bulbs. 3) All products are individually made-to-order and therefore may differ slightly within manufacturing tolerances. 4) Cable / chain can be shortened during installation. Longer cable / chain lengths available on request. 5) Additional color finishes may be available on request. 6) Twisted cable is not available for UL wired products. Round cable in black or brown only is supplied instead. 7) Refer to our website for a full list of terms and conditions.



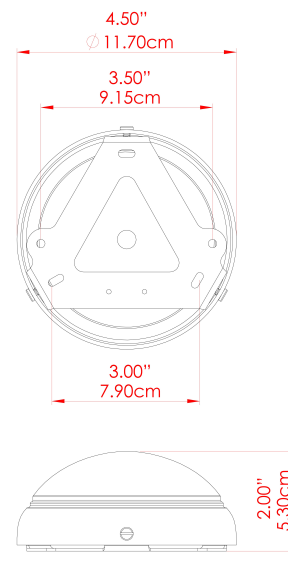
NAKAI Ceramic Wall Light

MLCMWL035PCMBKOP Matt Black



| | |
|---------------------------|---------------------------|
| MATERIAL | Brass Ceramic Glass |
| HEIGHT | 9.5" |
| WIDTH DIAMETER | 7.75" |
| LENGTH PROJECTION | 12.25"-13.75" |
| WEIGHT | 2.1 kg 4.8 lbs |
| LAMPHOLDER | G9 |
| MAX WATTAGE | 25W |
| VOLTAGE | 110/120v |
| ENVIRONMENTAL RATING | Dry Location (IP20) |
| CLASS PROTECTION | Class I |
| SHADE | GL192 MLCS035 MLCS043 |
| FLEX BAR CHAIN LENGTH | n/a |
| CABLE TYPE | |

FIXING BRACKET: MLWB11



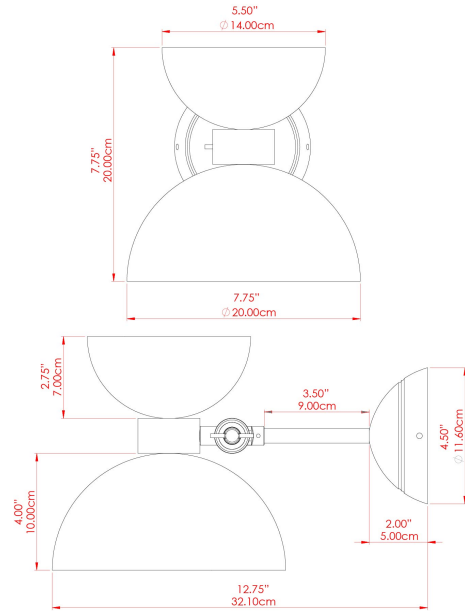
Product Notes:
 1) Bulbs not included. 2) Dimensions do not include bulbs. 3) All products are individually made-to-order and therefore may differ slightly within manufacturing tolerances. 4) Cable / chain can be shortened during installation. Longer cable / chain lengths available on request. 5) Additional color finishes may be available on request. 6) Twisted cable is not available for UL wired products. Round cable in black or brown only is supplied instead. 7) Refer to our website for a full list of terms and conditions.





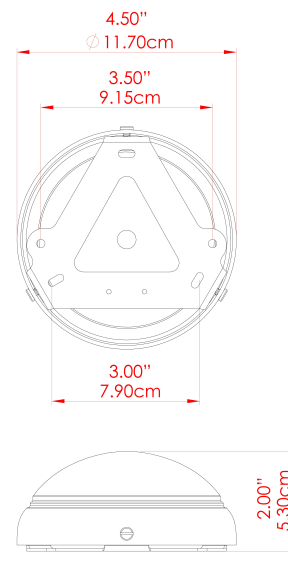
NAKAI Ceramic Wall Light

MLCMWL035POLBRSCl Polished Brass



| | |
|---------------------------|---------------------------|
| MATERIAL | Brass Ceramic Glass |
| HEIGHT | 9.5" |
| WIDTH DIAMETER | 7.75" |
| LENGTH PROJECTION | 12.25"-13.75" |
| WEIGHT | 2.1 kg 4.8 lbs |
| LAMPHOLDER | G9 |
| MAX WATTAGE | 25W |
| VOLTAGE | 110/120v |
| ENVIRONMENTAL RATING | Dry Location (IP20) |
| CLASS PROTECTION | Class I |
| SHADE | GL196 MLCS035 MLCS043 |
| FLEX BAR CHAIN LENGTH | n/a |
| CABLE TYPE | |

FIXING BRACKET: MLWB11



WWW.MULLANLIGHTING.COM

Product Notes:

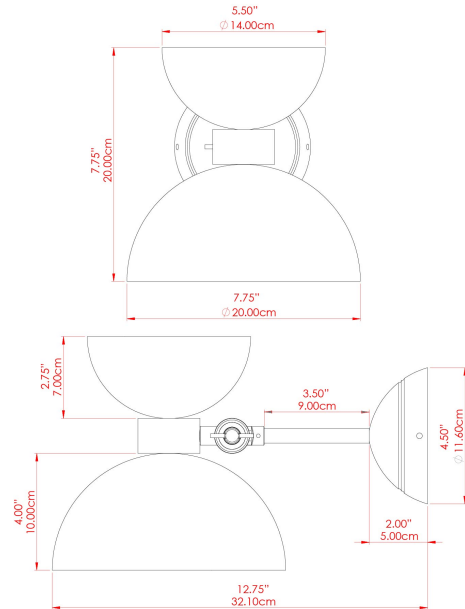
1) Bulbs not included. 2) Dimensions do not include bulbs. 3) All products are individually made-to-order and therefore may differ slightly within manufacturing tolerances. 4) Cable / chain can be shortened during installation. Longer cable / chain lengths available on request. 5) Additional color finishes may be available on request. 6) Twisted cable is not available for UL wired products. Round cable in black or brown only is supplied instead. 7) Refer to our website for a full list of terms and conditions.





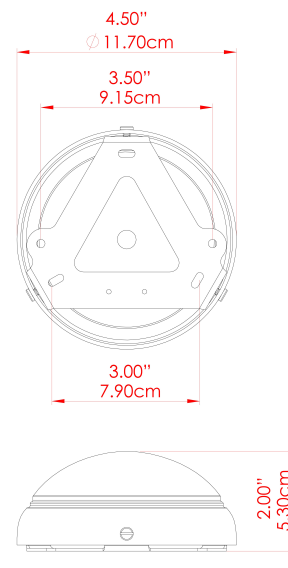
NAKAI Ceramic Wall Light

MLCMWL035POLBRSFR Polished Brass



| | |
|---------------------------|---------------------------|
| MATERIAL | Brass Ceramic Glass |
| HEIGHT | 9.5" |
| WIDTH DIAMETER | 7.75" |
| LENGTH PROJECTION | 12.25"-13.75" |
| WEIGHT | 2.1 kg 4.8 lbs |
| LAMPHOLDER | G9 |
| MAX WATTAGE | 25W |
| VOLTAGE | 110/120v |
| ENVIRONMENTAL RATING | Dry Location (IP20) |
| CLASS PROTECTION | Class I |
| SHADE | GL208 MLCS035 MLCS043 |
| FLEX BAR CHAIN LENGTH | n/a |
| CABLE TYPE | |

FIXING BRACKET: MLWB11



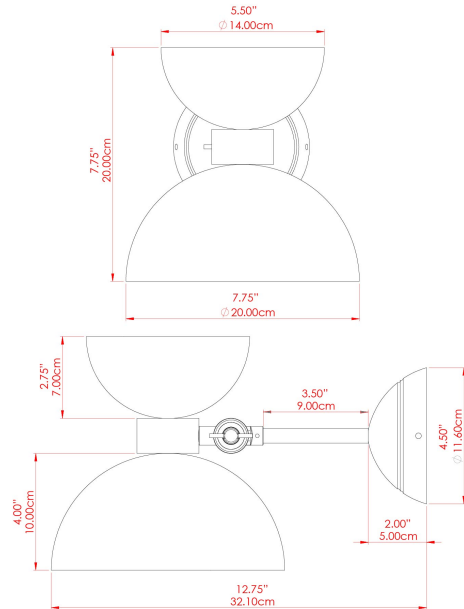
Product Notes:
 1) Bulbs not included. 2) Dimensions do not include bulbs. 3) All products are individually made-to-order and therefore may differ slightly within manufacturing tolerances. 4) Cable / chain can be shortened during installation. Longer cable / chain lengths available on request. 5) Additional color finishes may be available on request. 6) Twisted cable is not available for UL wired products. Round cable in black or brown only is supplied instead. 7) Refer to our website for a full list of terms and conditions.





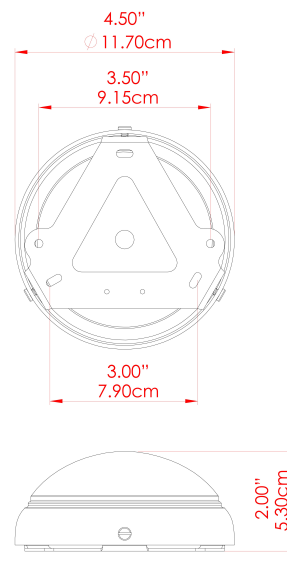
NAKAI Ceramic Wall Light

MLCMWL035POLBRSOP Polished Brass



| | |
|---------------------------|---------------------------|
| MATERIAL | Brass Ceramic Glass |
| HEIGHT | 9.5" |
| WIDTH DIAMETER | 7.75" |
| LENGTH PROJECTION | 12.25"-13.75" |
| WEIGHT | 2.1 kg 4.8 lbs |
| LAMPHOLDER | G9 |
| MAX WATTAGE | 25W |
| VOLTAGE | 110/120v |
| ENVIRONMENTAL RATING | Dry Location (IP20) |
| CLASS PROTECTION | Class I |
| SHADE | GL192 MLCS035 MLCS043 |
| FLEX BAR CHAIN LENGTH | n/a |
| CABLE TYPE | |

FIXING BRACKET: MLWB11



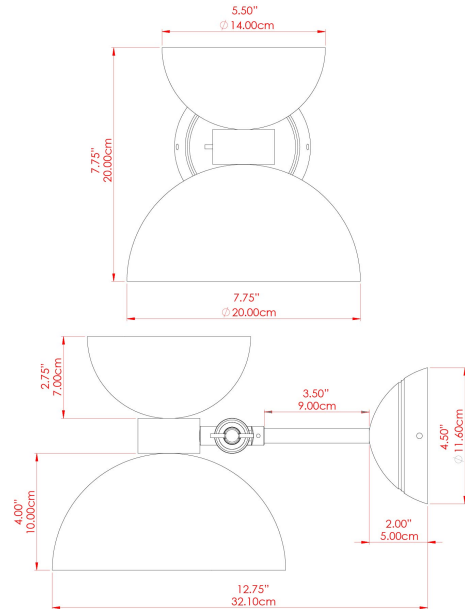
Product Notes:
 1) Bulbs not included. 2) Dimensions do not include bulbs. 3) All products are individually made-to-order and therefore may differ slightly within manufacturing tolerances. 4) Cable / chain can be shortened during installation. Longer cable / chain lengths available on request. 5) Additional color finishes may be available on request. 6) Twisted cable is not available for UL wired products. Round cable in black or brown only is supplied instead. 7) Refer to our website for a full list of terms and conditions.





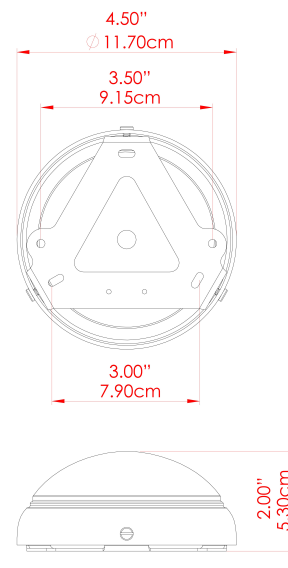
NAKAI Ceramic Wall Light

MLCMWL035SATBRSL Satin Brass



| | |
|---------------------------|---------------------------|
| MATERIAL | Brass Ceramic Glass |
| HEIGHT | 9.5" |
| WIDTH DIAMETER | 7.75" |
| LENGTH PROJECTION | 12.25"-13.75" |
| WEIGHT | 2.1 kg 4.8 lbs |
| LAMPHOLDER | G9 |
| MAX WATTAGE | 25W |
| VOLTAGE | 110/120v |
| ENVIRONMENTAL RATING | Dry Location (IP20) |
| CLASS PROTECTION | Class I |
| SHADE | GL196 MLCS035 MLCS043 |
| FLEX BAR CHAIN LENGTH | n/a |
| CABLE TYPE | |

FIXING BRACKET: MLWB11



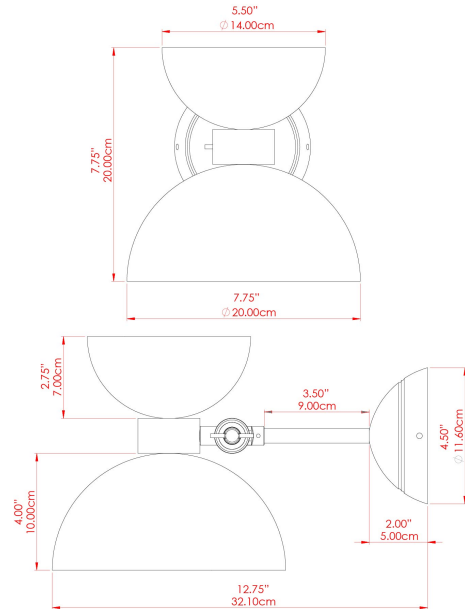
Product Notes:
1) Bulbs not included. 2) Dimensions do not include bulbs. 3) All products are individually made-to-order and therefore may differ slightly within manufacturing tolerances. 4) Cable / chain can be shortened during installation. Longer cable / chain lengths available on request. 5) Additional color finishes may be available on request. 6) Twisted cable is not available for UL wired products. Round cable in black or brown only is supplied instead. 7) Refer to our website for a full list of terms and conditions.





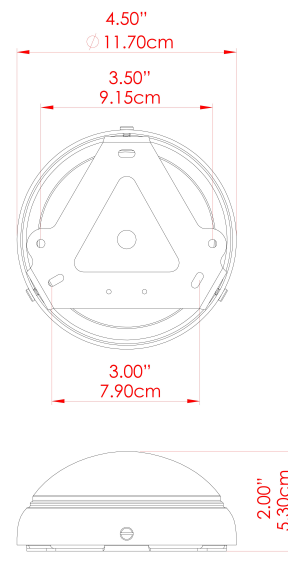
NAKAI Ceramic Wall Light

MLCMWL035SATBRSFR Satin Brass



| | |
|---------------------------|---------------------------|
| MATERIAL | Brass Ceramic Glass |
| HEIGHT | 9.5" |
| WIDTH DIAMETER | 7.75" |
| LENGTH PROJECTION | 12.25"-13.75" |
| WEIGHT | 2.1 kg 4.8 lbs |
| LAMPHOLDER | G9 |
| MAX WATTAGE | 25W |
| VOLTAGE | 110/120v |
| ENVIRONMENTAL RATING | Dry Location (IP20) |
| CLASS PROTECTION | Class I |
| SHADE | GL208 MLCS035 MLCS043 |
| FLEX BAR CHAIN LENGTH | n/a |
| CABLE TYPE | |

FIXING BRACKET: MLWB11

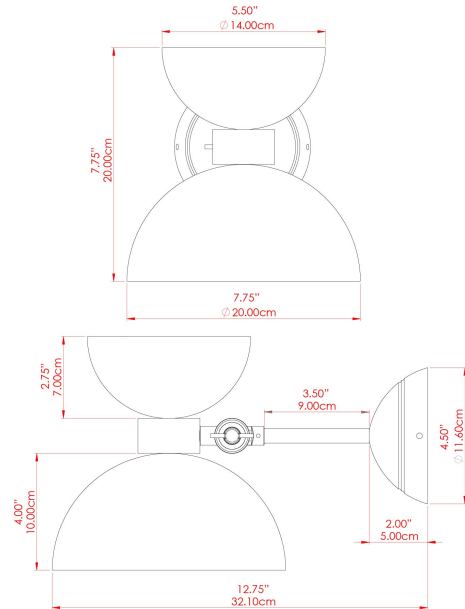


Product Notes:
 1) Bulbs not included. 2) Dimensions do not include bulbs. 3) All products are individually made-to-order and therefore may differ slightly within manufacturing tolerances. 4) Cable / chain can be shortened during installation. Longer cable / chain lengths available on request. 5) Additional color finishes may be available on request. 6) Twisted cable is not available for UL wired products. Round cable in black or brown only is supplied instead. 7) Refer to our website for a full list of terms and conditions.



NAKAI Ceramic Wall Light

MLCMWL035SATBRSOP Satin Brass



| | |
|---------------------------|---------------------------|
| MATERIAL | Brass Ceramic Glass |
| HEIGHT | 9.5" |
| WIDTH DIAMETER | 7.75" |
| LENGTH PROJECTION | 12.25"-13.75" |
| WEIGHT | 2.1 kg 4.8 lbs |
| LAMPHOLDER | G9 |
| MAX WATTAGE | 25W |
| VOLTAGE | 110/120v |
| ENVIRONMENTAL RATING | Dry Location (IP20) |
| CLASS PROTECTION | Class I |
| SHADE | GL192 MLCS035 MLCS043 |
| FLEX BAR CHAIN LENGTH | n/a |
| CABLE TYPE | |

FIXING BRACKET: MLWB11

