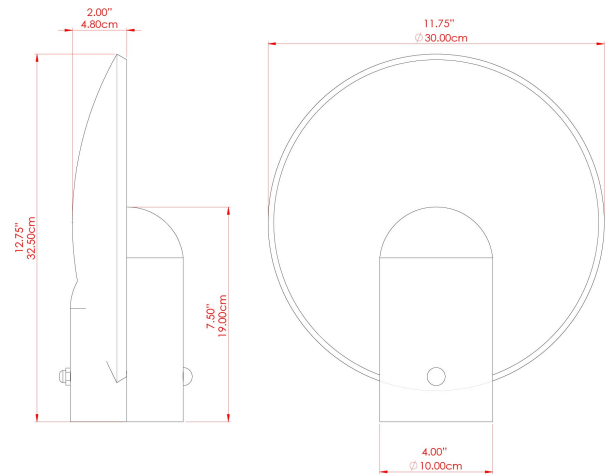


# CAGLIARI Ceramic Table Lamp

MLCMTL044SATBRS Satin Brass



MATERIAL	Ceramic   Brass
HEIGHT	12.75"
WIDTH   DIAMETER	11.75"
LENGTH   PROJECTION	4"
WEIGHT	2.6 kg   5.8 lbs
LAMPHOLDER	G9
MAX WATTAGE	6.5W
VOLTAGE	110/120v
ENVIRONMENTAL RATING	Dry Location (IP20)
CLASS PROTECTION	Class I
SHADE	MLCMBASE030   MLCMBASE032
FLEX   BAR   CHAIN LENGTH	n/a
CABLE TYPE	MLCA028   Black Fabric Braided Cable   2 Core Round

FIXING BRACKET:



Product Notes:  
 1) Bulbs not included. 2) Dimensions do not include bulbs. 3) All products are individually made-to-order and therefore may differ slightly within manufacturing tolerances. 4) Cable / chain can be shortened during installation. Longer cable / chain lengths available on request. 5) Additional color finishes may be available on request. 6) Twisted cable is not available for UL wired products. Round cable in black or brown only is supplied instead. 7) Refer to our website for a full list of terms and conditions.

