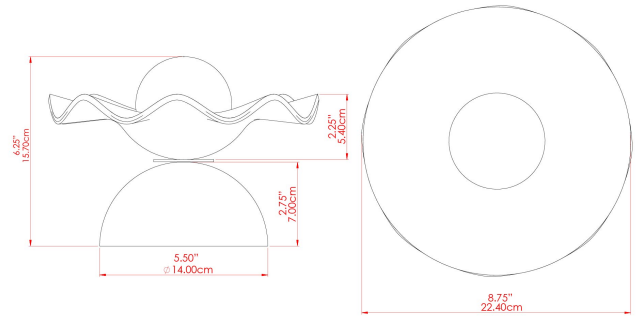




RIVALE Ceramic Table Lamp

MLCMTL036ANTBRACL Antique Brass



MATERIAL	Brass Ceramic
HEIGHT	5"
WIDTH DIAMETER	8.25"
LENGTH PROJECTION	n/a
WEIGHT	1.1 kg 2.5 lbs
LAMPHOLDER	G9
MAX WATTAGE	6.5W
VOLTAGE	110/120v
ENVIRONMENTAL RATING	Dry Location (IP20)
CLASS PROTECTION	Class II
SHADE	GL196 MLCS059
FLEX BAR CHAIN LENGTH	n/a
CABLE TYPE	MLCA002 Brown Fabric Braided Cable 2 Core Twisted

FIXING BRACKET: -

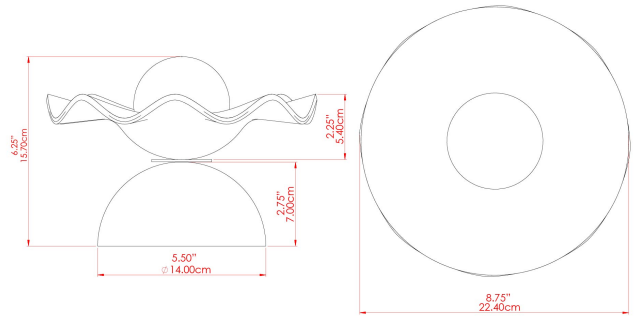


WWW.MULLANLIGHTING.COM

Product Notes:

1) Bulbs not included. 2) Dimensions do not include bulbs. 3) All products are individually made-to-order and therefore may differ slightly within manufacturing tolerances. 4) Cable / chain can be shortened during installation. Longer cable / chain lengths available on request. 5) Additional color finishes may be available on request. 6) Twisted cable is not available for UL wired products. Round cable in black or brown only is supplied instead. 7) Refer to our website for a full list of terms and conditions.





MATERIAL	Brass Ceramic
HEIGHT	5"
WIDTH DIAMETER	8.25"
LENGTH PROJECTION	n/a
WEIGHT	1.1 kg 2.5 lbs
LAMPHOLDER	G9
MAX WATTAGE	6.5W
VOLTAGE	110/120v
ENVIRONMENTAL RATING	Dry Location (IP20)
CLASS PROTECTION	Class II
SHADE	GL208 MLCS059
FLEX BAR CHAIN LENGTH	n/a
CABLE TYPE	MLCA002 Brown Fabric Braided Cable 2 Core Twisted

FIXING BRACKET: -

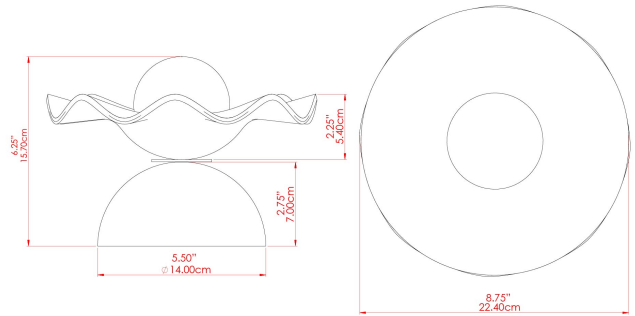


Product Notes:
 1) Bulbs not included. 2) Dimensions do not include bulbs. 3) All products are individually made-to-order and therefore may differ slightly within manufacturing tolerances. 4) Cable / chain can be shortened during installation. Longer cable / chain lengths available on request. 5) Additional color finishes may be available on request. 6) Twisted cable is not available for UL wired products. Round cable in black or brown only is supplied instead. 7) Refer to our website for a full list of terms and conditions.



RIVALE Ceramic Table Lamp

MLCMTL036ANTBRSOP Antique Brass



MATERIAL	Brass Ceramic
HEIGHT	5"
WIDTH DIAMETER	8.25"
LENGTH PROJECTION	n/a
WEIGHT	1.1 kg 2.5 lbs
LAMPHOLDER	G9
MAX WATTAGE	6.5W
VOLTAGE	110/120v
ENVIRONMENTAL RATING	Dry Location (IP20)
CLASS PROTECTION	Class II
SHADE	GL192 MLCS059
FLEX BAR CHAIN LENGTH	n/a
CABLE TYPE	MLCA002 Brown Fabric Braided Cable 2 Core Twisted

FIXING BRACKET: -

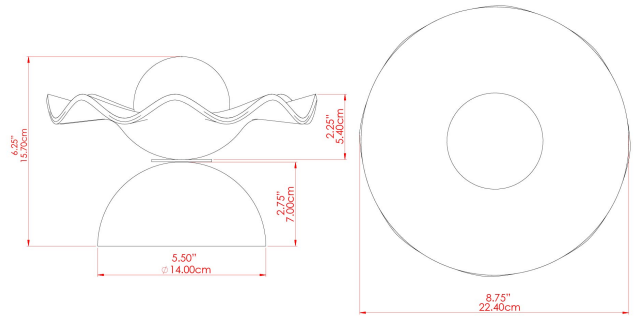


Product Notes:
 1) Bulbs not included. 2) Dimensions do not include bulbs. 3) All products are individually made-to-order and therefore may differ slightly within manufacturing tolerances. 4) Cable / chain can be shortened during installation. Longer cable / chain lengths available on request. 5) Additional color finishes may be available on request. 6) Twisted cable is not available for UL wired products. Round cable in black or brown only is supplied instead. 7) Refer to our website for a full list of terms and conditions.



RIVALE Ceramic Table Lamp

MLCMTL036ANTSLVCL Antique Silver



MATERIAL	Brass Ceramic
HEIGHT	5"
WIDTH DIAMETER	8.25"
LENGTH PROJECTION	n/a
WEIGHT	1.1 kg 2.5 lbs
LAMPHOLDER	G9
MAX WATTAGE	6.5W
VOLTAGE	110/120v
ENVIRONMENTAL RATING	Dry Location (IP20)
CLASS PROTECTION	Class II
SHADE	GL196 MLCS059
FLEX BAR CHAIN LENGTH	n/a
CABLE TYPE	MLCA001 Black Fabric Braided Cable 2 Core Twisted

FIXING BRACKET: -



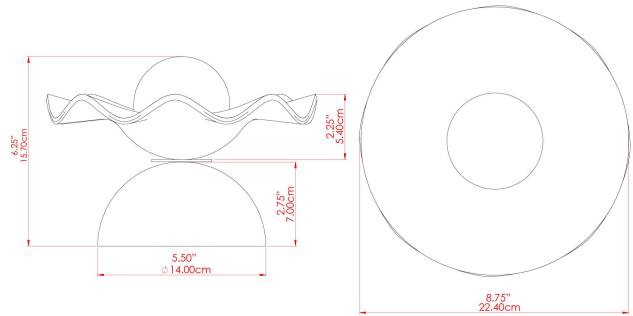
Product Notes:
 1) Bulbs not included. 2) Dimensions do not include bulbs. 3) All products are individually made-to-order and therefore may differ slightly within manufacturing tolerances. 4) Cable / chain can be shortened during installation. Longer cable / chain lengths available on request. 5) Additional color finishes may be available on request. 6) Twisted cable is not available for UL wired products. Round cable in black or brown only is supplied instead. 7) Refer to our website for a full list of terms and conditions.





RIVALE Ceramic Table Lamp

MLCMTL036ANTSLVFR Antique Silver



MATERIAL	Brass Ceramic	FIXING BRACKET: -
HEIGHT	5"	
WIDTH DIAMETER	8.25"	
LENGTH PROJECTION	n/a	
WEIGHT	1.1 kg 2.5 lbs	
LAMPHOLDER	G9	
MAX WATTAGE	6.5W	
VOLTAGE	110/120v	
ENVIRONMENTAL RATING	Dry Location (IP20)	
CLASS PROTECTION	Class II	
SHADE	GL208 MLCS059	
FLEX BAR CHAIN LENGTH	n/a	
CABLE TYPE	MLCA001 Black Fabric Braided Cable 2 Core Twisted	



WWW.MULLANLIGHTING.COM

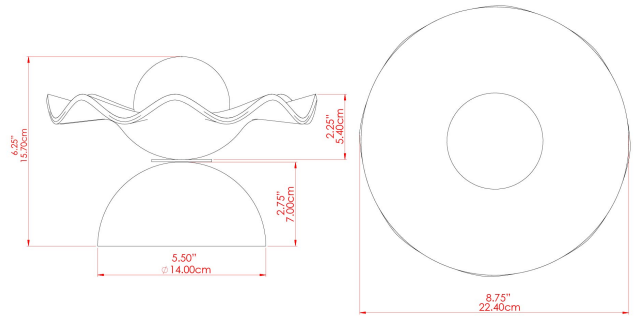
Product Notes:

1) Bulbs not included. 2) Dimensions do not include bulbs. 3) All products are individually made-to-order and therefore may differ slightly within manufacturing tolerances. 4) Cable / chain can be shortened during installation. Longer cable / chain lengths available on request. 5) Additional color finishes may be available on request. 6) Twisted cable is not available for UL wired products. Round cable in black or brown only is supplied instead. 7) Refer to our website for a full list of terms and conditions.



RIVALE Ceramic Table Lamp

MLCMTL036ANTSLVOP Antique Silver



MATERIAL	Brass Ceramic
HEIGHT	5"
WIDTH DIAMETER	8.25"
LENGTH PROJECTION	n/a
WEIGHT	1.1 kg 2.5 lbs
LAMPHOLDER	G9
MAX WATTAGE	6.5W
VOLTAGE	110/120v
ENVIRONMENTAL RATING	Dry Location (IP20)
CLASS PROTECTION	Class II
SHADE	GL192 MLCS059
FLEX BAR CHAIN LENGTH	n/a
CABLE TYPE	MLCA001 Black Fabric Braided Cable 2 Core Twisted

FIXING BRACKET: -



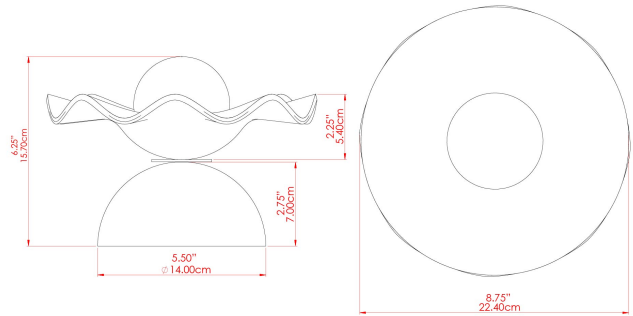
Product Notes:
 1) Bulbs not included. 2) Dimensions do not include bulbs. 3) All products are individually made-to-order and therefore may differ slightly within manufacturing tolerances. 4) Cable / chain can be shortened during installation. Longer cable / chain lengths available on request. 5) Additional color finishes may be available on request. 6) Twisted cable is not available for UL wired products. Round cable in black or brown only is supplied instead. 7) Refer to our website for a full list of terms and conditions.





RIVALE Ceramic Table Lamp

MLCMTL036PCMBKCL Matt Black



MATERIAL	Brass Ceramic	FIXING BRACKET: -
HEIGHT	5"	
WIDTH DIAMETER	8.25"	
LENGTH PROJECTION	n/a	
WEIGHT	1.1 kg 2.5 lbs	
LAMPHOLDER	G9	
MAX WATTAGE	6.5W	
VOLTAGE	110/120v	
ENVIRONMENTAL RATING	Dry Location (IP20)	
CLASS PROTECTION	Class II	
SHADE	GL196 MLCS059	
FLEX BAR CHAIN LENGTH	n/a	
CABLE TYPE	MLCA001 Black Fabric Braided Cable 2 Core Twisted	

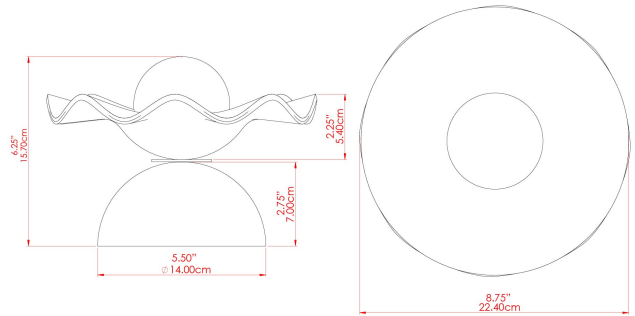


Product Notes:
1) Bulbs not included. 2) Dimensions do not include bulbs. 3) All products are individually made-to-order and therefore may differ slightly within manufacturing tolerances. 4) Cable / chain can be shortened during installation. Longer cable / chain lengths available on request. 5) Additional color finishes may be available on request. 6) Twisted cable is not available for UL wired products. Round cable in black or brown only is supplied instead. 7) Refer to our website for a full list of terms and conditions.



RIVALE Ceramic Table Lamp

MLCMTL036PCMBKFR Matt Black



MATERIAL	Brass Ceramic
HEIGHT	5"
WIDTH DIAMETER	8.25"
LENGTH PROJECTION	n/a
WEIGHT	1.1 kg 2.5 lbs
LAMPHOLDER	G9
MAX WATTAGE	6.5W
VOLTAGE	110/120v
ENVIRONMENTAL RATING	Dry Location (IP20)
CLASS PROTECTION	Class II
SHADE	GL208 MLCS059
FLEX BAR CHAIN LENGTH	n/a
CABLE TYPE	MLCA001 Black Fabric Braided Cable 2 Core Twisted

FIXING BRACKET: -

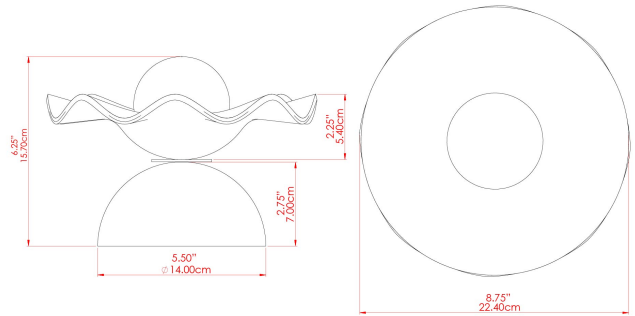


Product Notes:
 1) Bulbs not included. 2) Dimensions do not include bulbs. 3) All products are individually made-to-order and therefore may differ slightly within manufacturing tolerances. 4) Cable / chain can be shortened during installation. Longer cable / chain lengths available on request. 5) Additional color finishes may be available on request. 6) Twisted cable is not available for UL wired products. Round cable in black or brown only is supplied instead. 7) Refer to our website for a full list of terms and conditions.



RIVALE Ceramic Table Lamp

MLCMTL036PCMBKOP Matt Black



MATERIAL	Brass Ceramic
HEIGHT	5"
WIDTH DIAMETER	8.25"
LENGTH PROJECTION	n/a
WEIGHT	1.1 kg 2.5 lbs
LAMPHOLDER	G9
MAX WATTAGE	6.5W
VOLTAGE	110/120v
ENVIRONMENTAL RATING	Dry Location (IP20)
CLASS PROTECTION	Class II
SHADE	GL192 MLCS059
FLEX BAR CHAIN LENGTH	n/a
CABLE TYPE	MLCA001 Black Fabric Braided Cable 2 Core Twisted

FIXING BRACKET: -



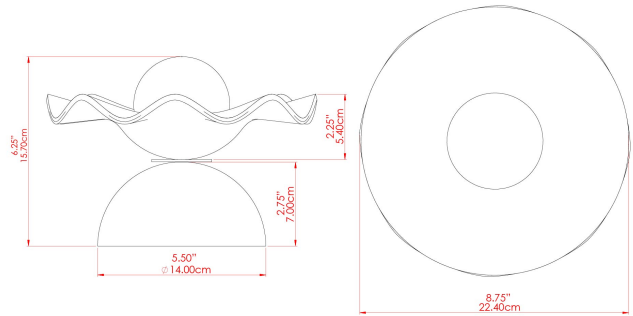
Product Notes:
 1) Bulbs not included. 2) Dimensions do not include bulbs. 3) All products are individually made-to-order and therefore may differ slightly within manufacturing tolerances. 4) Cable / chain can be shortened during installation. Longer cable / chain lengths available on request. 5) Additional color finishes may be available on request. 6) Twisted cable is not available for UL wired products. Round cable in black or brown only is supplied instead. 7) Refer to our website for a full list of terms and conditions.





RIVALE Ceramic Table Lamp

MLCMTL036POLBRSC Polished Brass



MATERIAL	Brass Ceramic	FIXING BRACKET: -
HEIGHT	5"	
WIDTH DIAMETER	8.25"	
LENGTH PROJECTION	n/a	
WEIGHT	1.1 kg 2.5 lbs	
LAMPHOLDER	G9	
MAX WATTAGE	6.5W	
VOLTAGE	110/120v	
ENVIRONMENTAL RATING	Dry Location (IP20)	
CLASS PROTECTION	Class II	
SHADE	GL196 MLCS059	
FLEX BAR CHAIN LENGTH	n/a	
CABLE TYPE	MLCA001 Black Fabric Braided Cable 2 Core Twisted	



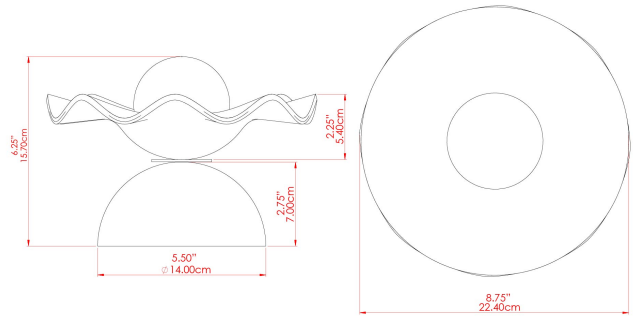
Product Notes:
1) Bulbs not included. 2) Dimensions do not include bulbs. 3) All products are individually made-to-order and therefore may differ slightly within manufacturing tolerances. 4) Cable / chain can be shortened during installation. Longer cable / chain lengths available on request. 5) Additional color finishes may be available on request. 6) Twisted cable is not available for UL wired products. Round cable in black or brown only is supplied instead. 7) Refer to our website for a full list of terms and conditions.





RIVALE Ceramic Table Lamp

MLCMTL036POLBRSFR Polished Brass



MATERIAL	Brass Ceramic	FIXING BRACKET: -
HEIGHT	5"	
WIDTH DIAMETER	8.25"	
LENGTH PROJECTION	n/a	
WEIGHT	1.1 kg 2.5 lbs	
LAMPHOLDER	G9	
MAX WATTAGE	6.5W	
VOLTAGE	110/120v	
ENVIRONMENTAL RATING	Dry Location (IP20)	
CLASS PROTECTION	Class II	
SHADE	GL208 MLCS059	
FLEX BAR CHAIN LENGTH	n/a	
CABLE TYPE	MLCA001 Black Fabric Braided Cable 2 Core Twisted	



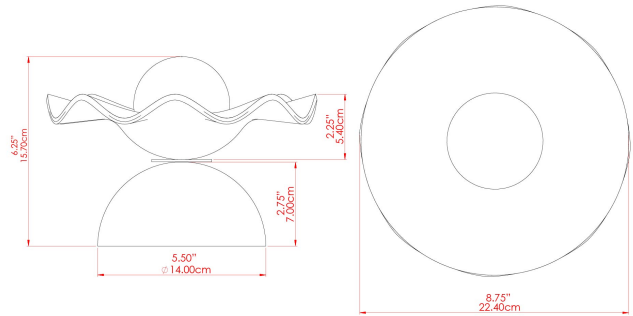
Product Notes:
1) Bulbs not included. 2) Dimensions do not include bulbs. 3) All products are individually made-to-order and therefore may differ slightly within manufacturing tolerances. 4) Cable / chain can be shortened during installation. Longer cable / chain lengths available on request. 5) Additional color finishes may be available on request. 6) Twisted cable is not available for UL wired products. Round cable in black or brown only is supplied instead. 7) Refer to our website for a full list of terms and conditions.





RIVALE Ceramic Table Lamp

MLCMTL036POLBRSOP Polished Brass



MATERIAL	Brass Ceramic
HEIGHT	5"
WIDTH DIAMETER	8.25"
LENGTH PROJECTION	n/a
WEIGHT	1.1 kg 2.5 lbs
LAMPHOLDER	G9
MAX WATTAGE	6.5W
VOLTAGE	110/120v
ENVIRONMENTAL RATING	Dry Location (IP20)
CLASS PROTECTION	Class II
SHADE	GL192 MLCS059
FLEX BAR CHAIN LENGTH	n/a
CABLE TYPE	MLCA001 Black Fabric Braided Cable 2 Core Twisted

FIXING BRACKET: -



WWW.MULLANLIGHTING.COM

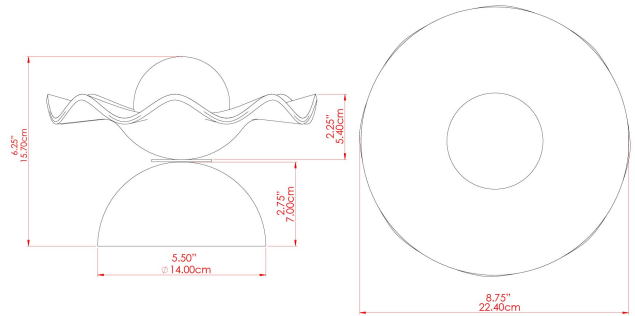
Product Notes:

1) Bulbs not included. 2) Dimensions do not include bulbs. 3) All products are individually made-to-order and therefore may differ slightly within manufacturing tolerances. 4) Cable / chain can be shortened during installation. Longer cable / chain lengths available on request. 5) Additional color finishes may be available on request. 6) Twisted cable is not available for UL wired products. Round cable in black or brown only is supplied instead. 7) Refer to our website for a full list of terms and conditions.



RIVALE Ceramic Table Lamp

MLCMTL036SATBRSL Satin Brass



MATERIAL	Brass Ceramic
HEIGHT	5"
WIDTH DIAMETER	8.25"
LENGTH PROJECTION	n/a
WEIGHT	1.1 kg 2.5 lbs
LAMPHOLDER	G9
MAX WATTAGE	6.5W
VOLTAGE	110/120v
ENVIRONMENTAL RATING	Dry Location (IP20)
CLASS PROTECTION	Class II
SHADE	GL196 MLCS059
FLEX BAR CHAIN LENGTH	n/a
CABLE TYPE	MLCA001 Black Fabric Braided Cable 2 Core Twisted

FIXING BRACKET: -

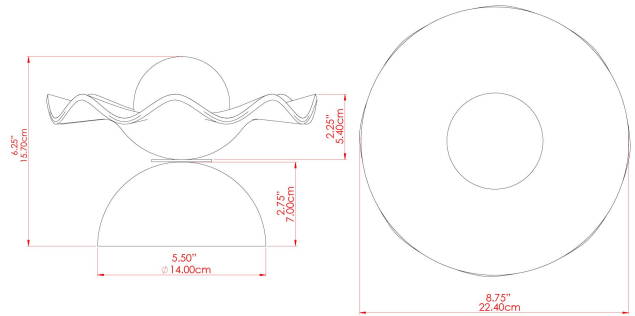


Product Notes:
 1) Bulbs not included. 2) Dimensions do not include bulbs. 3) All products are individually made-to-order and therefore may differ slightly within manufacturing tolerances. 4) Cable / chain can be shortened during installation. Longer cable / chain lengths available on request. 5) Additional color finishes may be available on request. 6) Twisted cable is not available for UL wired products. Round cable in black or brown only is supplied instead. 7) Refer to our website for a full list of terms and conditions.



RIVALE Ceramic Table Lamp

MLCMTL036SATBRSFR Satin Brass



MATERIAL	Brass Ceramic
HEIGHT	5"
WIDTH DIAMETER	8.25"
LENGTH PROJECTION	n/a
WEIGHT	1.1 kg 2.5 lbs
LAMPHOLDER	G9
MAX WATTAGE	6.5W
VOLTAGE	110/120v
ENVIRONMENTAL RATING	Dry Location (IP20)
CLASS PROTECTION	Class II
SHADE	GL208 MLCS059
FLEX BAR CHAIN LENGTH	n/a
CABLE TYPE	MLCA001 Black Fabric Braided Cable 2 Core Twisted

FIXING BRACKET: -

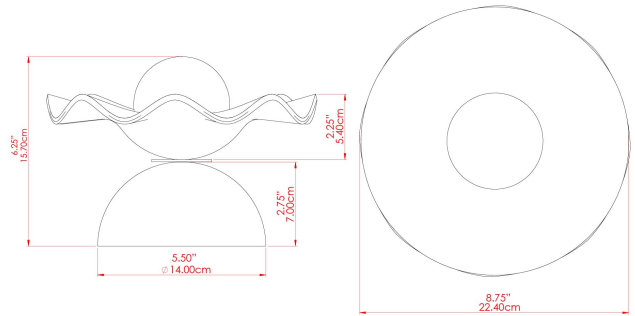


Product Notes:
 1) Bulbs not included. 2) Dimensions do not include bulbs. 3) All products are individually made-to-order and therefore may differ slightly within manufacturing tolerances. 4) Cable / chain can be shortened during installation. Longer cable / chain lengths available on request. 5) Additional color finishes may be available on request. 6) Twisted cable is not available for UL wired products. Round cable in black or brown only is supplied instead. 7) Refer to our website for a full list of terms and conditions.



RIVALE Ceramic Table Lamp

MLCMTL036SATBRSOP Satin Brass



MATERIAL	Brass Ceramic
HEIGHT	5"
WIDTH DIAMETER	8.25"
LENGTH PROJECTION	n/a
WEIGHT	1.1 kg 2.5 lbs
LAMPHOLDER	G9
MAX WATTAGE	6.5W
VOLTAGE	110/120v
ENVIRONMENTAL RATING	Dry Location (IP20)
CLASS PROTECTION	Class II
SHADE	GL192 MLCS059
FLEX BAR CHAIN LENGTH	n/a
CABLE TYPE	MLCA001 Black Fabric Braided Cable 2 Core Twisted

FIXING BRACKET: -



Product Notes:
 1) Bulbs not included. 2) Dimensions do not include bulbs. 3) All products are individually made-to-order and therefore may differ slightly within manufacturing tolerances. 4) Cable / chain can be shortened during installation. Longer cable / chain lengths available on request. 5) Additional color finishes may be available on request. 6) Twisted cable is not available for UL wired products. Round cable in black or brown only is supplied instead. 7) Refer to our website for a full list of terms and conditions.

