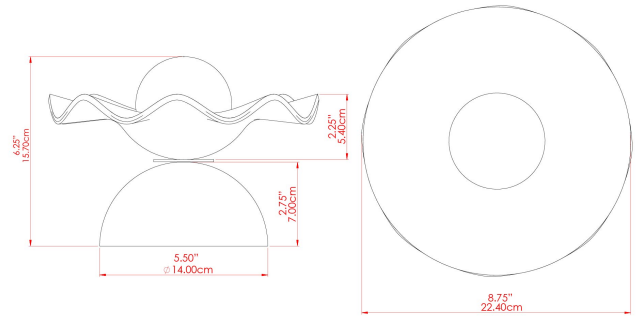


RIVALE Ceramic Table Lamp

MLCMTL035ANTBRACL Antique Brass



MATERIAL	Brass Ceramic
HEIGHT	5"
WIDTH DIAMETER	8.25"
LENGTH PROJECTION	n/a
WEIGHT	1.1 kg 2.5 lbs
LAMPHOLDER	G9
MAX WATTAGE	6.5W
VOLTAGE	110/120v
ENVIRONMENTAL RATING	Dry Location (IP20)
CLASS PROTECTION	Class II
SHADE	GL196 MLCS063
FLEX BAR CHAIN LENGTH	n/a
CABLE TYPE	MLCA002 Brown Fabric Braided Cable 2 Core Twisted

FIXING BRACKET: -

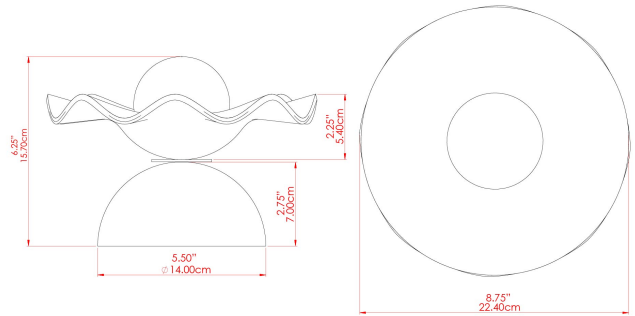


Product Notes:
 1) Bulbs not included. 2) Dimensions do not include bulbs. 3) All products are individually made-to-order and therefore may differ slightly within manufacturing tolerances. 4) Cable / chain can be shortened during installation. Longer cable / chain lengths available on request. 5) Additional color finishes may be available on request. 6) Twisted cable is not available for UL wired products. Round cable in black or brown only is supplied instead. 7) Refer to our website for a full list of terms and conditions.



RIVALE Ceramic Table Lamp

MLCMTL035ANTBRSFR Antique Brass



MATERIAL	Brass Ceramic
HEIGHT	5"
WIDTH DIAMETER	8.25"
LENGTH PROJECTION	n/a
WEIGHT	1.1 kg 2.5 lbs
LAMPHOLDER	G9
MAX WATTAGE	6.5W
VOLTAGE	110/120v
ENVIRONMENTAL RATING	Dry Location (IP20)
CLASS PROTECTION	Class II
SHADE	GL208 MLCS063
FLEX BAR CHAIN LENGTH	n/a
CABLE TYPE	MLCA002 Brown Fabric Braided Cable 2 Core Twisted

FIXING BRACKET: -

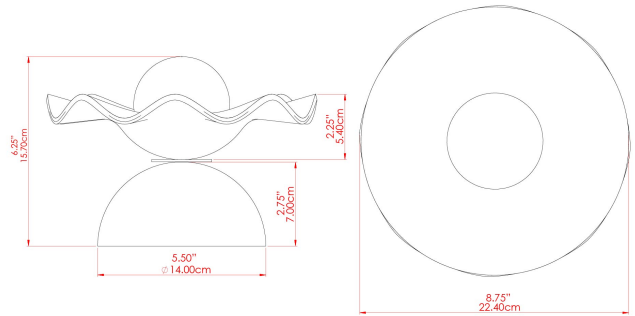


Product Notes:
 1) Bulbs not included. 2) Dimensions do not include bulbs. 3) All products are individually made-to-order and therefore may differ slightly within manufacturing tolerances. 4) Cable / chain can be shortened during installation. Longer cable / chain lengths available on request. 5) Additional color finishes may be available on request. 6) Twisted cable is not available for UL wired products. Round cable in black or brown only is supplied instead. 7) Refer to our website for a full list of terms and conditions.



RIVALE Ceramic Table Lamp

MLCMTL035ANTBRSOP Antique Brass



MATERIAL	Brass Ceramic
HEIGHT	5"
WIDTH DIAMETER	8.25"
LENGTH PROJECTION	n/a
WEIGHT	1.1 kg 2.5 lbs
LAMPHOLDER	G9
MAX WATTAGE	6.5W
VOLTAGE	110/120v
ENVIRONMENTAL RATING	Dry Location (IP20)
CLASS PROTECTION	Class II
SHADE	GL192 MLCS060
FLEX BAR CHAIN LENGTH	n/a
CABLE TYPE	MLCA002 Brown Fabric Braided Cable 2 Core Twisted

FIXING BRACKET: -



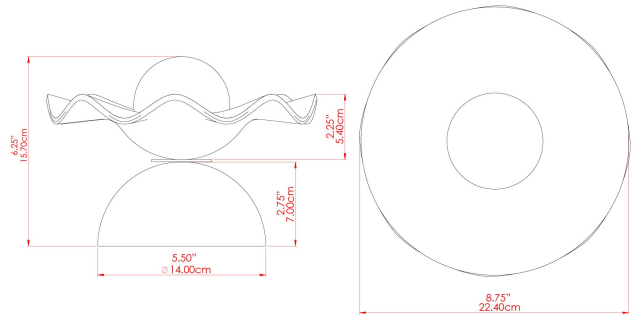
Product Notes:
 1) Bulbs not included. 2) Dimensions do not include bulbs. 3) All products are individually made-to-order and therefore may differ slightly within manufacturing tolerances. 4) Cable / chain can be shortened during installation. Longer cable / chain lengths available on request. 5) Additional color finishes may be available on request. 6) Twisted cable is not available for UL wired products. Round cable in black or brown only is supplied instead. 7) Refer to our website for a full list of terms and conditions.





RIVALE Ceramic Table Lamp

MLCMTL035ANTSLVCL Antique Silver



MATERIAL	Brass Ceramic
HEIGHT	5"
WIDTH DIAMETER	8.25"
LENGTH PROJECTION	n/a
WEIGHT	1.1 kg 2.5 lbs
LAMPHOLDER	G9
MAX WATTAGE	6.5W
VOLTAGE	110/120v
ENVIRONMENTAL RATING	Dry Location (IP20)
CLASS PROTECTION	Class II
SHADE	GL196 MLCS063
FLEX BAR CHAIN LENGTH	n/a
CABLE TYPE	MLCA001 Black Fabric Braided Cable 2 Core Twisted

FIXING BRACKET: -



WWW.MULLANLIGHTING.COM

Product Notes:

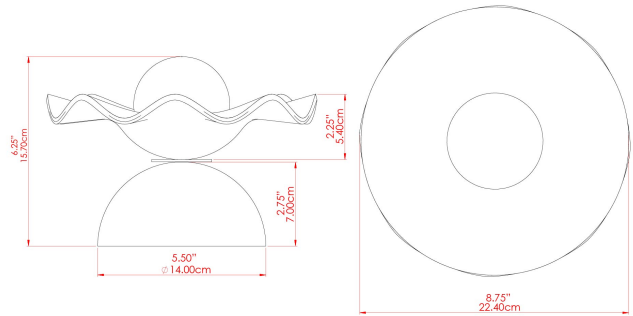
1) Bulbs not included. 2) Dimensions do not include bulbs. 3) All products are individually made-to-order and therefore may differ slightly within manufacturing tolerances. 4) Cable / chain can be shortened during installation. Longer cable / chain lengths available on request. 5) Additional color finishes may be available on request. 6) Twisted cable is not available for UL wired products. Round cable in black or brown only is supplied instead. 7) Refer to our website for a full list of terms and conditions.





RIVALE Ceramic Table Lamp

MLCMTL035ANTSLVFR Antique Silver



MATERIAL	Brass Ceramic	FIXING BRACKET: -
HEIGHT	5"	
WIDTH DIAMETER	8.25"	
LENGTH PROJECTION	n/a	
WEIGHT	1.1 kg 2.5 lbs	
LAMPHOLDER	G9	
MAX WATTAGE	6.5W	
VOLTAGE	110/120v	
ENVIRONMENTAL RATING	Dry Location (IP20)	
CLASS PROTECTION	Class II	
SHADE	GL208 MLCS063	
FLEX BAR CHAIN LENGTH	n/a	
CABLE TYPE	MLCA001 Black Fabric Braided Cable 2 Core Twisted	

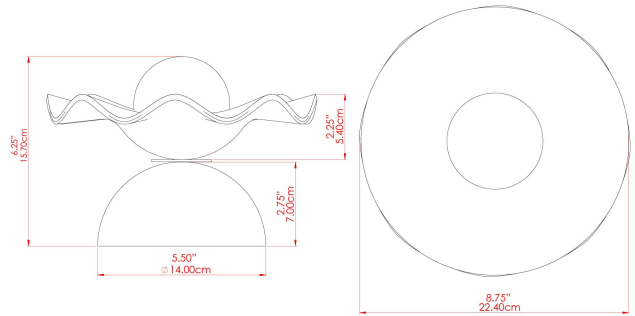


Product Notes:
1) Bulbs not included. 2) Dimensions do not include bulbs. 3) All products are individually made-to-order and therefore may differ slightly within manufacturing tolerances. 4) Cable / chain can be shortened during installation. Longer cable / chain lengths available on request. 5) Additional color finishes may be available on request. 6) Twisted cable is not available for UL wired products. Round cable in black or brown only is supplied instead. 7) Refer to our website for a full list of terms and conditions.



RIVALE Ceramic Table Lamp

MLCMTL035ANTSLVOP Antique Silver



MATERIAL	Brass Ceramic
HEIGHT	5"
WIDTH DIAMETER	8.25"
LENGTH PROJECTION	n/a
WEIGHT	1.1 kg 2.5 lbs
LAMPHOLDER	G9
MAX WATTAGE	6.5W
VOLTAGE	110/120v
ENVIRONMENTAL RATING	Dry Location (IP20)
CLASS PROTECTION	Class II
SHADE	GL192 MLCS060
FLEX BAR CHAIN LENGTH	n/a
CABLE TYPE	MLCA001 Black Fabric Braided Cable 2 Core Twisted

FIXING BRACKET: -



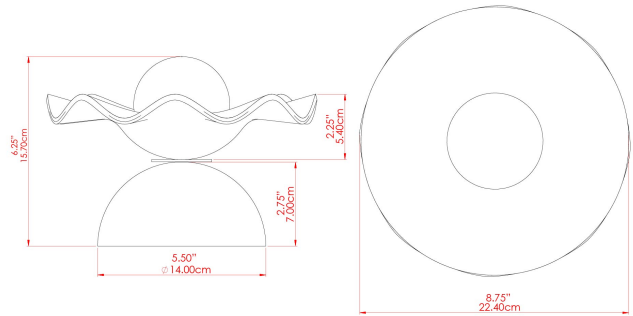
Product Notes:
 1) Bulbs not included. 2) Dimensions do not include bulbs. 3) All products are individually made-to-order and therefore may differ slightly within manufacturing tolerances. 4) Cable / chain can be shortened during installation. Longer cable / chain lengths available on request. 5) Additional color finishes may be available on request. 6) Twisted cable is not available for UL wired products. Round cable in black or brown only is supplied instead. 7) Refer to our website for a full list of terms and conditions.





RIVALE Ceramic Table Lamp

MLCMTL035PCMBKCL Matt Black



MATERIAL	Brass Ceramic	FIXING BRACKET: -
HEIGHT	5"	
WIDTH DIAMETER	8.25"	
LENGTH PROJECTION	n/a	
WEIGHT	1.1 kg 2.5 lbs	
LAMPHOLDER	G9	
MAX WATTAGE	6.5W	
VOLTAGE	110/120v	
ENVIRONMENTAL RATING	Dry Location (IP20)	
CLASS PROTECTION	Class II	
SHADE	GL196 MLCS063	
FLEX BAR CHAIN LENGTH	n/a	
CABLE TYPE	MLCA001 Black Fabric Braided Cable 2 Core Twisted	

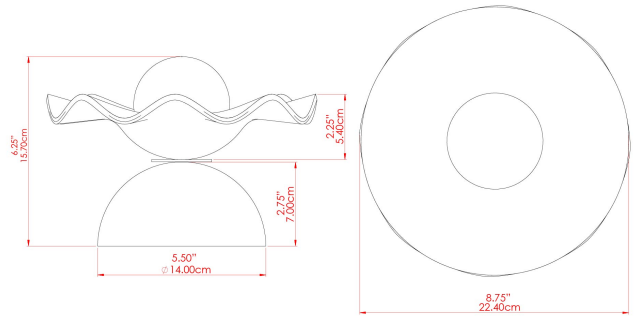


Product Notes:
1) Bulbs not included. 2) Dimensions do not include bulbs. 3) All products are individually made-to-order and therefore may differ slightly within manufacturing tolerances. 4) Cable / chain can be shortened during installation. Longer cable / chain lengths available on request. 5) Additional color finishes may be available on request. 6) Twisted cable is not available for UL wired products. Round cable in black or brown only is supplied instead. 7) Refer to our website for a full list of terms and conditions.



RIVALE Ceramic Table Lamp

MLCMTL035PCMBKFR Matt Black



MATERIAL	Brass Ceramic
HEIGHT	5"
WIDTH DIAMETER	8.25"
LENGTH PROJECTION	n/a
WEIGHT	1.1 kg 2.5 lbs
LAMPHOLDER	G9
MAX WATTAGE	6.5W
VOLTAGE	110/120v
ENVIRONMENTAL RATING	Dry Location (IP20)
CLASS PROTECTION	Class II
SHADE	GL208 MLCS063
FLEX BAR CHAIN LENGTH	n/a
CABLE TYPE	MLCA001 Black Fabric Braided Cable 2 Core Twisted

FIXING BRACKET: -



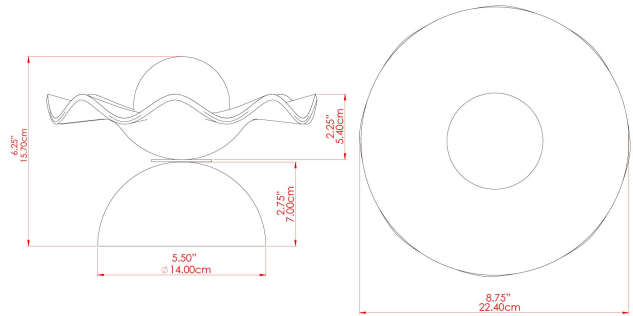
Product Notes:
 1) Bulbs not included. 2) Dimensions do not include bulbs. 3) All products are individually made-to-order and therefore may differ slightly within manufacturing tolerances. 4) Cable / chain can be shortened during installation. Longer cable / chain lengths available on request. 5) Additional color finishes may be available on request. 6) Twisted cable is not available for UL wired products. Round cable in black or brown only is supplied instead. 7) Refer to our website for a full list of terms and conditions.





RIVALE Ceramic Table Lamp

MLCMTL035PCMBKOP Matt Black



MATERIAL	Brass Ceramic	FIXING BRACKET: -
HEIGHT	5"	
WIDTH DIAMETER	8.25"	
LENGTH PROJECTION	n/a	
WEIGHT	1.1 kg 2.5 lbs	
LAMPHOLDER	G9	
MAX WATTAGE	6.5W	
VOLTAGE	110/120v	
ENVIRONMENTAL RATING	Dry Location (IP20)	
CLASS PROTECTION	Class II	
SHADE	GL192 MLCS060	
FLEX BAR CHAIN LENGTH	n/a	
CABLE TYPE	MLCA001 Black Fabric Braided Cable 2 Core Twisted	



WWW.MULLANLIGHTING.COM

Product Notes:

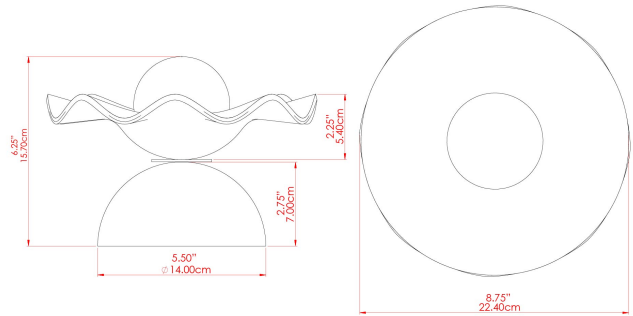
1) Bulbs not included. 2) Dimensions do not include bulbs. 3) All products are individually made-to-order and therefore may differ slightly within manufacturing tolerances. 4) Cable / chain can be shortened during installation. Longer cable / chain lengths available on request. 5) Additional color finishes may be available on request. 6) Twisted cable is not available for UL wired products. Round cable in black or brown only is supplied instead. 7) Refer to our website for a full list of terms and conditions.





RIVALE Ceramic Table Lamp

MLCMTL035POLBRSCS Polished Brass



MATERIAL	Brass Ceramic	FIXING BRACKET: -
HEIGHT	5"	
WIDTH DIAMETER	8.25"	
LENGTH PROJECTION	n/a	
WEIGHT	1.1 kg 2.5 lbs	
LAMPHOLDER	G9	
MAX WATTAGE	6.5W	
VOLTAGE	110/120v	
ENVIRONMENTAL RATING	Dry Location (IP20)	
CLASS PROTECTION	Class II	
SHADE	GL196 MLCS063	
FLEX BAR CHAIN LENGTH	n/a	
CABLE TYPE	MLCA001 Black Fabric Braided Cable 2 Core Twisted	



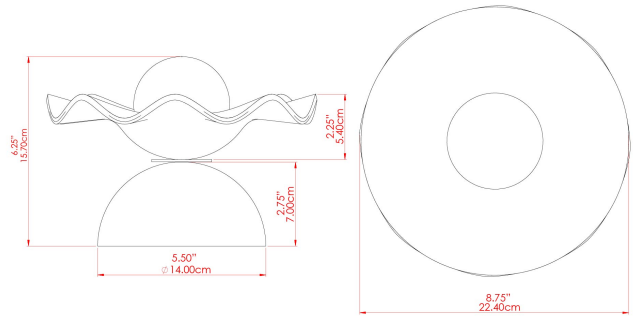
Product Notes:
1) Bulbs not included. 2) Dimensions do not include bulbs. 3) All products are individually made-to-order and therefore may differ slightly within manufacturing tolerances. 4) Cable / chain can be shortened during installation. Longer cable / chain lengths available on request. 5) Additional color finishes may be available on request. 6) Twisted cable is not available for UL wired products. Round cable in black or brown only is supplied instead. 7) Refer to our website for a full list of terms and conditions.





RIVALE Ceramic Table Lamp

MLCMTL035POLBRSFR Polished Brass



MATERIAL	Brass Ceramic	FIXING BRACKET: -
HEIGHT	5"	
WIDTH DIAMETER	8.25"	
LENGTH PROJECTION	n/a	
WEIGHT	1.1 kg 2.5 lbs	
LAMPHOLDER	G9	
MAX WATTAGE	6.5W	
VOLTAGE	110/120v	
ENVIRONMENTAL RATING	Dry Location (IP20)	
CLASS PROTECTION	Class II	
SHADE	GL208 MLCS063	
FLEX BAR CHAIN LENGTH	n/a	
CABLE TYPE	MLCA001 Black Fabric Braided Cable 2 Core Twisted	



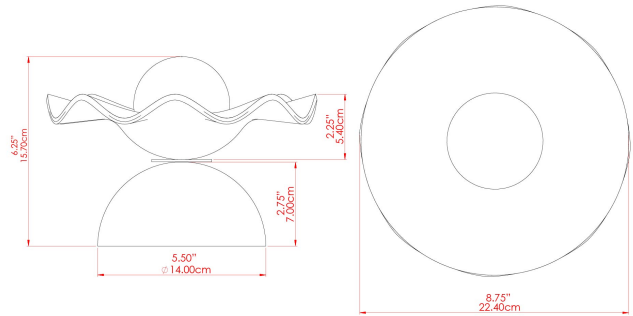
Product Notes:
1) Bulbs not included. 2) Dimensions do not include bulbs. 3) All products are individually made-to-order and therefore may differ slightly within manufacturing tolerances. 4) Cable / chain can be shortened during installation. Longer cable / chain lengths available on request. 5) Additional color finishes may be available on request. 6) Twisted cable is not available for UL wired products. Round cable in black or brown only is supplied instead. 7) Refer to our website for a full list of terms and conditions.





RIVALE Ceramic Table Lamp

MLCMTL035POLBRSOP Polished Brass



MATERIAL	Brass Ceramic	FIXING BRACKET: -
HEIGHT	5"	
WIDTH DIAMETER	8.25"	
LENGTH PROJECTION	n/a	
WEIGHT	1.1 kg 2.5 lbs	
LAMPHOLDER	G9	
MAX WATTAGE	6.5W	
VOLTAGE	110/120v	
ENVIRONMENTAL RATING	Dry Location (IP20)	
CLASS PROTECTION	Class II	
SHADE	GL192 MLCS060	
FLEX BAR CHAIN LENGTH	n/a	
CABLE TYPE	MLCA001 Black Fabric Braided Cable 2 Core Twisted	



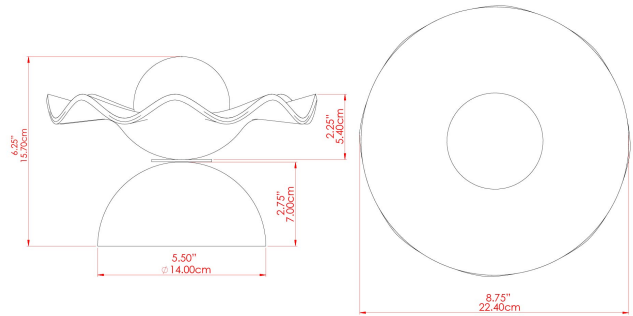
Product Notes:
1) Bulbs not included. 2) Dimensions do not include bulbs. 3) All products are individually made-to-order and therefore may differ slightly within manufacturing tolerances. 4) Cable / chain can be shortened during installation. Longer cable / chain lengths available on request. 5) Additional color finishes may be available on request. 6) Twisted cable is not available for UL wired products. Round cable in black or brown only is supplied instead. 7) Refer to our website for a full list of terms and conditions.





RIVALE Ceramic Table Lamp

MLCMTL035SATBRSL Satin Brass



MATERIAL	Brass Ceramic	FIXING BRACKET: -
HEIGHT	5"	
WIDTH DIAMETER	8.25"	
LENGTH PROJECTION	n/a	
WEIGHT	1.1 kg 2.5 lbs	
LAMPHOLDER	G9	
MAX WATTAGE	6.5W	
VOLTAGE	110/120v	
ENVIRONMENTAL RATING	Dry Location (IP20)	
CLASS PROTECTION	Class II	
SHADE	GL196 MLCS063	
FLEX BAR CHAIN LENGTH	n/a	
CABLE TYPE	MLCA001 Black Fabric Braided Cable 2 Core Twisted	



WWW.MULLANLIGHTING.COM

Product Notes:

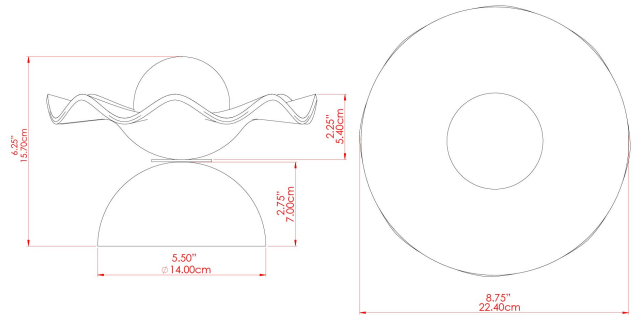
1) Bulbs not included. 2) Dimensions do not include bulbs. 3) All products are individually made-to-order and therefore may differ slightly within manufacturing tolerances. 4) Cable / chain can be shortened during installation. Longer cable / chain lengths available on request. 5) Additional color finishes may be available on request. 6) Twisted cable is not available for UL wired products. Round cable in black or brown only is supplied instead. 7) Refer to our website for a full list of terms and conditions.





RIVALE Ceramic Table Lamp

MLCMTL035SATBRSFR Satin Brass



MATERIAL	Brass Ceramic	FIXING BRACKET: -
HEIGHT	5"	
WIDTH DIAMETER	8.25"	
LENGTH PROJECTION	n/a	
WEIGHT	1.1 kg 2.5 lbs	
LAMPHOLDER	G9	
MAX WATTAGE	6.5W	
VOLTAGE	110/120v	
ENVIRONMENTAL RATING	Dry Location (IP20)	
CLASS PROTECTION	Class II	
SHADE	GL208 MLCS063	
FLEX BAR CHAIN LENGTH	n/a	
CABLE TYPE	MLCA001 Black Fabric Braided Cable 2 Core Twisted	

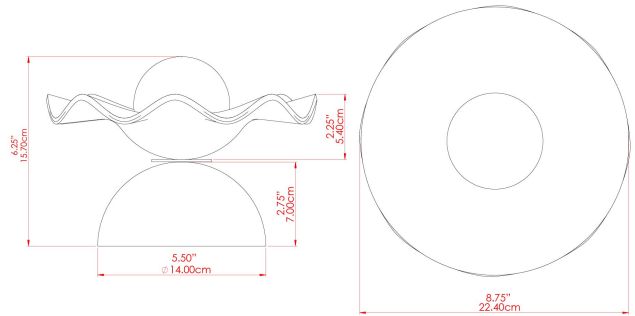


Product Notes:
1) Bulbs not included. 2) Dimensions do not include bulbs. 3) All products are individually made-to-order and therefore may differ slightly within manufacturing tolerances. 4) Cable / chain can be shortened during installation. Longer cable / chain lengths available on request. 5) Additional color finishes may be available on request. 6) Twisted cable is not available for UL wired products. Round cable in black or brown only is supplied instead. 7) Refer to our website for a full list of terms and conditions.



RIVALE Ceramic Table Lamp

MLCMTL035SATBRSOP Satin Brass



MATERIAL	Brass Ceramic
HEIGHT	5"
WIDTH DIAMETER	8.25"
LENGTH PROJECTION	n/a
WEIGHT	1.1 kg 2.5 lbs
LAMPHOLDER	G9
MAX WATTAGE	6.5W
VOLTAGE	110/120v
ENVIRONMENTAL RATING	Dry Location (IP20)
CLASS PROTECTION	Class II
SHADE	GL192 MLCS063
FLEX BAR CHAIN LENGTH	n/a
CABLE TYPE	MLCA001 Black Fabric Braided Cable 2 Core Twisted

FIXING BRACKET: -



Product Notes:
 1) Bulbs not included. 2) Dimensions do not include bulbs. 3) All products are individually made-to-order and therefore may differ slightly within manufacturing tolerances. 4) Cable / chain can be shortened during installation. Longer cable / chain lengths available on request. 5) Additional color finishes may be available on request. 6) Twisted cable is not available for UL wired products. Round cable in black or brown only is supplied instead. 7) Refer to our website for a full list of terms and conditions.

