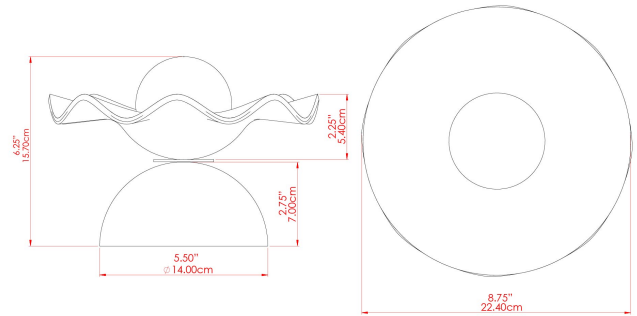


# RIVALE Ceramic Table Lamp

MLCMTL034ANTBRACL Antique Brass



MATERIAL	Brass   Ceramic
HEIGHT	5"
WIDTH   DIAMETER	8.25"
LENGTH   PROJECTION	n/a
WEIGHT	1.1 kg   2.5 lbs
LAMPHOLDER	G9
MAX WATTAGE	6.5W
VOLTAGE	110/120v
ENVIRONMENTAL RATING	Dry Location (IP20)
CLASS PROTECTION	Class II
SHADE	GL196   MLCS062
FLEX   BAR   CHAIN LENGTH	n/a
CABLE TYPE	MLCA002   Brown Fabric Braided Cable   2 Core Twisted

FIXING BRACKET: -

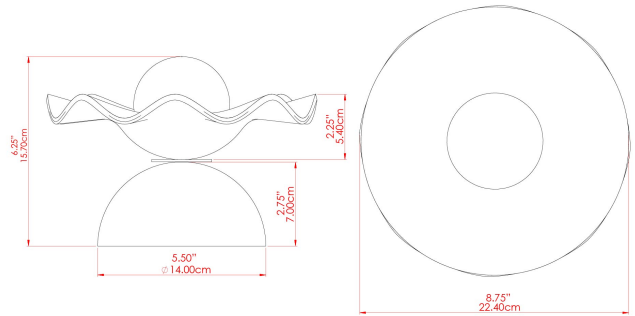


Product Notes:  
 1) Bulbs not included. 2) Dimensions do not include bulbs. 3) All products are individually made-to-order and therefore may differ slightly within manufacturing tolerances. 4) Cable / chain can be shortened during installation. Longer cable / chain lengths available on request. 5) Additional color finishes may be available on request. 6) Twisted cable is not available for UL wired products. Round cable in black or brown only is supplied instead. 7) Refer to our website for a full list of terms and conditions.



# RIVALE Ceramic Table Lamp

MLCMTL034ANTBRSFR Antique Brass



MATERIAL	Brass   Ceramic
HEIGHT	5"
WIDTH   DIAMETER	8.25"
LENGTH   PROJECTION	n/a
WEIGHT	1.1 kg   2.5 lbs
LAMPHOLDER	G9
MAX WATTAGE	6.5W
VOLTAGE	110/120v
ENVIRONMENTAL RATING	Dry Location (IP20)
CLASS PROTECTION	Class II
SHADE	GL208   MLCS062
FLEX   BAR   CHAIN LENGTH	n/a
CABLE TYPE	MLCA002   Brown Fabric Braided Cable   2 Core Twisted

FIXING BRACKET: -

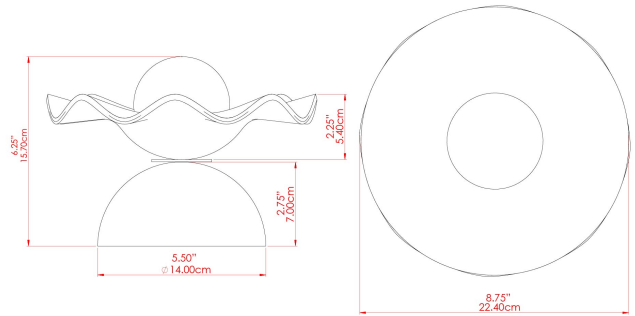


Product Notes:  
 1) Bulbs not included. 2) Dimensions do not include bulbs. 3) All products are individually made-to-order and therefore may differ slightly within manufacturing tolerances. 4) Cable / chain can be shortened during installation. Longer cable / chain lengths available on request. 5) Additional color finishes may be available on request. 6) Twisted cable is not available for UL wired products. Round cable in black or brown only is supplied instead. 7) Refer to our website for a full list of terms and conditions.



# RIVALE Ceramic Table Lamp

MLCMTL034ANTBRSOP Antique Brass



MATERIAL	Brass   Ceramic
HEIGHT	5"
WIDTH   DIAMETER	8.25"
LENGTH   PROJECTION	n/a
WEIGHT	1.1 kg   2.5 lbs
LAMPHOLDER	G9
MAX WATTAGE	6.5W
VOLTAGE	110/120v
ENVIRONMENTAL RATING	Dry Location (IP20)
CLASS PROTECTION	Class II
SHADE	GL192   MLCS062
FLEX   BAR   CHAIN LENGTH	n/a
CABLE TYPE	MLCA002   Brown Fabric Braided Cable   2 Core Twisted

FIXING BRACKET: -



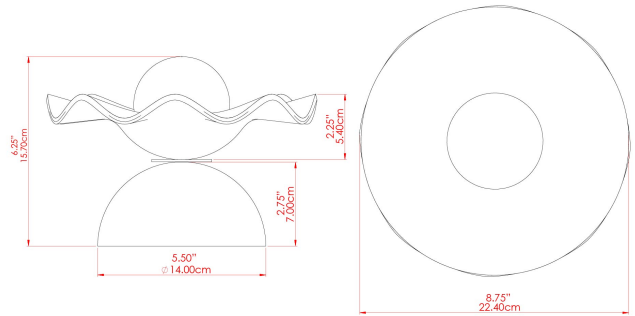
Product Notes:  
 1) Bulbs not included. 2) Dimensions do not include bulbs. 3) All products are individually made-to-order and therefore may differ slightly within manufacturing tolerances. 4) Cable / chain can be shortened during installation. Longer cable / chain lengths available on request. 5) Additional color finishes may be available on request. 6) Twisted cable is not available for UL wired products. Round cable in black or brown only is supplied instead. 7) Refer to our website for a full list of terms and conditions.





## RIVALE Ceramic Table Lamp

MLCMTL034ANTSLVCL Antique Silver



MATERIAL	Brass   Ceramic	FIXING BRACKET: -
HEIGHT	5"	
WIDTH   DIAMETER	8.25"	
LENGTH   PROJECTION	n/a	
WEIGHT	1.1 kg   2.5 lbs	
LAMPHOLDER	G9	
MAX WATTAGE	6.5W	
VOLTAGE	110/120v	
ENVIRONMENTAL RATING	Dry Location (IP20)	
CLASS PROTECTION	Class II	
SHADE	GL196   MLCS062	
FLEX   BAR   CHAIN LENGTH	n/a	
CABLE TYPE	MLCA001   Black Fabric Braided Cable   2 Core Twisted	



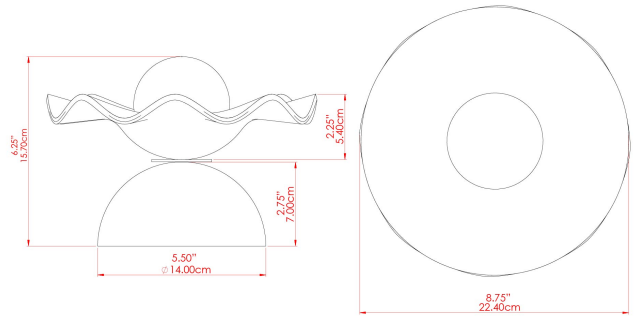
Product Notes:  
1) Bulbs not included. 2) Dimensions do not include bulbs. 3) All products are individually made-to-order and therefore may differ slightly within manufacturing tolerances. 4) Cable / chain can be shortened during installation. Longer cable / chain lengths available on request. 5) Additional color finishes may be available on request. 6) Twisted cable is not available for UL wired products. Round cable in black or brown only is supplied instead. 7) Refer to our website for a full list of terms and conditions.





## RIVALE Ceramic Table Lamp

MLCMTL034ANTSLVFR Antique Silver



MATERIAL	Brass   Ceramic
HEIGHT	5"
WIDTH   DIAMETER	8.25"
LENGTH   PROJECTION	n/a
WEIGHT	1.1 kg   2.5 lbs
LAMPHOLDER	G9
MAX WATTAGE	6.5W
VOLTAGE	110/120v
ENVIRONMENTAL RATING	Dry Location (IP20)
CLASS PROTECTION	Class II
SHADE	GL208   MLCS062
FLEX   BAR   CHAIN LENGTH	n/a
CABLE TYPE	MLCA001   Black Fabric Braided Cable   2 Core Twisted

FIXING BRACKET: -



WWW.MULLANLIGHTING.COM

Product Notes:

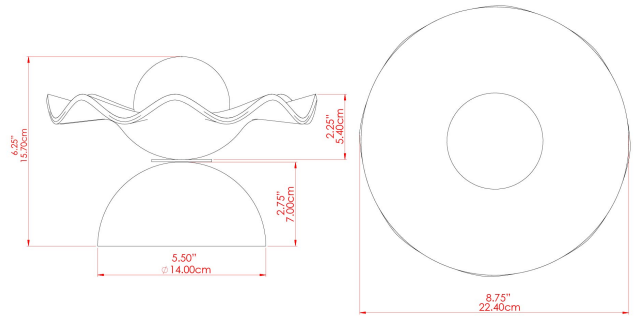
1) Bulbs not included. 2) Dimensions do not include bulbs. 3) All products are individually made-to-order and therefore may differ slightly within manufacturing tolerances. 4) Cable / chain can be shortened during installation. Longer cable / chain lengths available on request. 5) Additional color finishes may be available on request. 6) Twisted cable is not available for UL wired products. Round cable in black or brown only is supplied instead. 7) Refer to our website for a full list of terms and conditions.





## RIVALE Ceramic Table Lamp

MLCMTL034ANTSLVOP Antique Silver



MATERIAL	Brass   Ceramic
HEIGHT	5"
WIDTH   DIAMETER	8.25"
LENGTH   PROJECTION	n/a
WEIGHT	1.1 kg   2.5 lbs
LAMPHOLDER	G9
MAX WATTAGE	6.5W
VOLTAGE	110/120v
ENVIRONMENTAL RATING	Dry Location (IP20)
CLASS PROTECTION	Class II
SHADE	GL192   MLCS062
FLEX   BAR   CHAIN LENGTH	n/a
CABLE TYPE	MLCA001   Black Fabric Braided Cable   2 Core Twisted

FIXING BRACKET: -



WWW.MULLANLIGHTING.COM

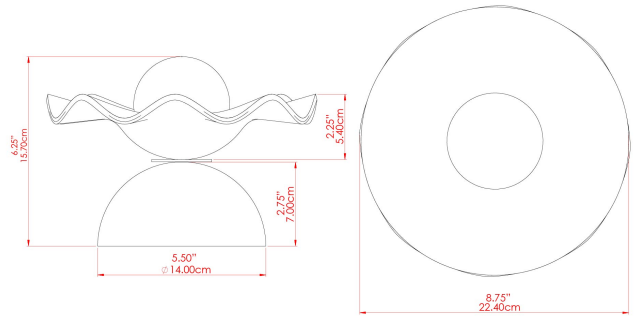
Product Notes:

1) Bulbs not included. 2) Dimensions do not include bulbs. 3) All products are individually made-to-order and therefore may differ slightly within manufacturing tolerances. 4) Cable / chain can be shortened during installation. Longer cable / chain lengths available on request. 5) Additional color finishes may be available on request. 6) Twisted cable is not available for UL wired products. Round cable in black or brown only is supplied instead. 7) Refer to our website for a full list of terms and conditions.



# RIVALE Ceramic Table Lamp

MLCMTL034PCMBKCL Matt Black



MATERIAL	Brass   Ceramic
HEIGHT	5"
WIDTH   DIAMETER	8.25"
LENGTH   PROJECTION	n/a
WEIGHT	1.1 kg   2.5 lbs
LAMPHOLDER	G9
MAX WATTAGE	6.5W
VOLTAGE	110/120v
ENVIRONMENTAL RATING	Dry Location (IP20)
CLASS PROTECTION	Class II
SHADE	GL208   MLCS062
FLEX   BAR   CHAIN LENGTH	n/a
CABLE TYPE	MLCA001   Black Fabric Braided Cable   2 Core Twisted

FIXING BRACKET: -



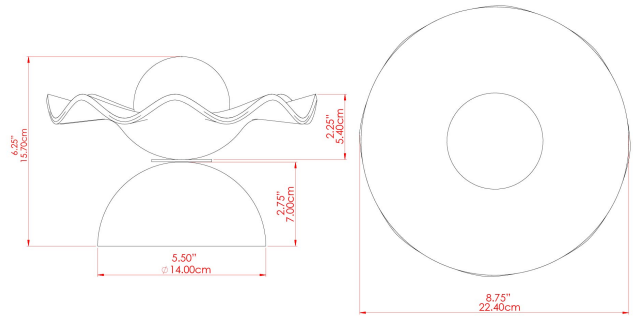
Product Notes:  
 1) Bulbs not included. 2) Dimensions do not include bulbs. 3) All products are individually made-to-order and therefore may differ slightly within manufacturing tolerances. 4) Cable / chain can be shortened during installation. Longer cable / chain lengths available on request. 5) Additional color finishes may be available on request. 6) Twisted cable is not available for UL wired products. Round cable in black or brown only is supplied instead. 7) Refer to our website for a full list of terms and conditions.





## RIVALE Ceramic Table Lamp

MLCMTL034PCMBKFR Matt Black



MATERIAL	Brass   Ceramic	FIXING BRACKET: -
HEIGHT	5"	
WIDTH   DIAMETER	8.25"	
LENGTH   PROJECTION	n/a	
WEIGHT	1.1 kg   2.5 lbs	
LAMPHOLDER	G9	
MAX WATTAGE	6.5W	
VOLTAGE	110/120v	
ENVIRONMENTAL RATING	Dry Location (IP20)	
CLASS PROTECTION	Class II	
SHADE	GL208   MLCS062	
FLEX   BAR   CHAIN LENGTH	n/a	
CABLE TYPE	MLCA001   Black Fabric Braided Cable   2 Core Twisted	

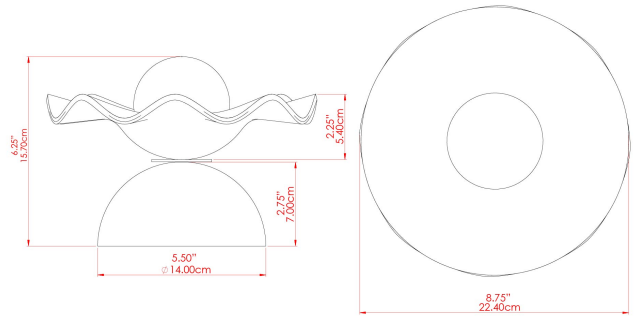


Product Notes:  
1) Bulbs not included. 2) Dimensions do not include bulbs. 3) All products are individually made-to-order and therefore may differ slightly within manufacturing tolerances. 4) Cable / chain can be shortened during installation. Longer cable / chain lengths available on request. 5) Additional color finishes may be available on request. 6) Twisted cable is not available for UL wired products. Round cable in black or brown only is supplied instead. 7) Refer to our website for a full list of terms and conditions.



# RIVALE Ceramic Table Lamp

MLCMTL034PCMBKOP Matt Black



MATERIAL	Brass   Ceramic
HEIGHT	5"
WIDTH   DIAMETER	8.25"
LENGTH   PROJECTION	n/a
WEIGHT	1.1 kg   2.5 lbs
LAMPHOLDER	G9
MAX WATTAGE	6.5W
VOLTAGE	110/120v
ENVIRONMENTAL RATING	Dry Location (IP20)
CLASS PROTECTION	Class II
SHADE	GL192   MLCS062
FLEX   BAR   CHAIN LENGTH	n/a
CABLE TYPE	MLCA001   Black Fabric Braided Cable   2 Core Twisted

FIXING BRACKET: -



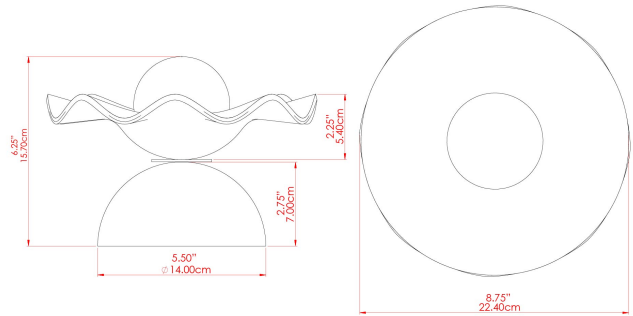
Product Notes:  
 1) Bulbs not included. 2) Dimensions do not include bulbs. 3) All products are individually made-to-order and therefore may differ slightly within manufacturing tolerances. 4) Cable / chain can be shortened during installation. Longer cable / chain lengths available on request. 5) Additional color finishes may be available on request. 6) Twisted cable is not available for UL wired products. Round cable in black or brown only is supplied instead. 7) Refer to our website for a full list of terms and conditions.





## RIVALE Ceramic Table Lamp

MLCMTL034POLBRSCS Polished Brass



MATERIAL	Brass   Ceramic
HEIGHT	5"
WIDTH   DIAMETER	8.25"
LENGTH   PROJECTION	n/a
WEIGHT	1.1 kg   2.5 lbs
LAMPHOLDER	G9
MAX WATTAGE	6.5W
VOLTAGE	110/120v
ENVIRONMENTAL RATING	Dry Location (IP20)
CLASS PROTECTION	Class II
SHADE	GL196   MLCS062
FLEX   BAR   CHAIN LENGTH	n/a
CABLE TYPE	MLCA001   Black Fabric Braided Cable   2 Core Twisted

FIXING BRACKET: -



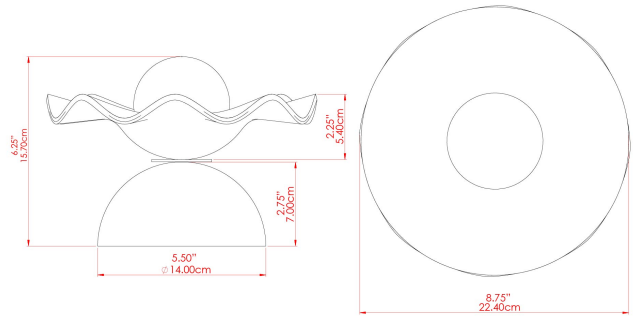
Product Notes:  
1) Bulbs not included. 2) Dimensions do not include bulbs. 3) All products are individually made-to-order and therefore may differ slightly within manufacturing tolerances. 4) Cable / chain can be shortened during installation. Longer cable / chain lengths available on request. 5) Additional color finishes may be available on request. 6) Twisted cable is not available for UL wired products. Round cable in black or brown only is supplied instead. 7) Refer to our website for a full list of terms and conditions.





## RIVALE Ceramic Table Lamp

MLCMTL034POLBRSFR Polished Brass



MATERIAL	Brass   Ceramic	FIXING BRACKET: -
HEIGHT	5"	
WIDTH   DIAMETER	8.25"	
LENGTH   PROJECTION	n/a	
WEIGHT	1.1 kg   2.5 lbs	
LAMPHOLDER	G9	
MAX WATTAGE	6.5W	
VOLTAGE	110/120v	
ENVIRONMENTAL RATING	Dry Location (IP20)	
CLASS PROTECTION	Class II	
SHADE	GL208   MLCS062	
FLEX   BAR   CHAIN LENGTH	n/a	
CABLE TYPE	MLCA001   Black Fabric Braided Cable   2 Core Twisted	



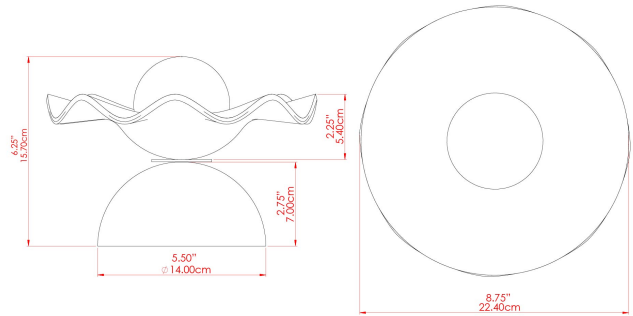
Product Notes:  
1) Bulbs not included. 2) Dimensions do not include bulbs. 3) All products are individually made-to-order and therefore may differ slightly within manufacturing tolerances. 4) Cable / chain can be shortened during installation. Longer cable / chain lengths available on request. 5) Additional color finishes may be available on request. 6) Twisted cable is not available for UL wired products. Round cable in black or brown only is supplied instead. 7) Refer to our website for a full list of terms and conditions.





## RIVALE Ceramic Table Lamp

MLCMTL034POLBRSOP Polished Brass



MATERIAL	Brass   Ceramic	FIXING BRACKET: -
HEIGHT	5"	
WIDTH   DIAMETER	8.25"	
LENGTH   PROJECTION	n/a	
WEIGHT	1.1 kg   2.5 lbs	
LAMPHOLDER	G9	
MAX WATTAGE	6.5W	
VOLTAGE	110/120v	
ENVIRONMENTAL RATING	Dry Location (IP20)	
CLASS PROTECTION	Class II	
SHADE	GL192   MLCS060	
FLEX   BAR   CHAIN LENGTH	n/a	
CABLE TYPE	MLCA001   Black Fabric Braided Cable   2 Core Twisted	



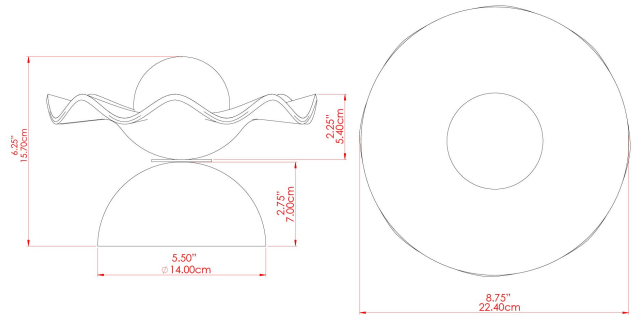
Product Notes:  
1) Bulbs not included. 2) Dimensions do not include bulbs. 3) All products are individually made-to-order and therefore may differ slightly within manufacturing tolerances. 4) Cable / chain can be shortened during installation. Longer cable / chain lengths available on request. 5) Additional color finishes may be available on request. 6) Twisted cable is not available for UL wired products. Round cable in black or brown only is supplied instead. 7) Refer to our website for a full list of terms and conditions.





## RIVALE Ceramic Table Lamp

MLCMTL034SATBRSL Satin Brass



MATERIAL	Brass   Ceramic
HEIGHT	5"
WIDTH   DIAMETER	8.25"
LENGTH   PROJECTION	n/a
WEIGHT	1.1 kg   2.5 lbs
LAMPHOLDER	G9
MAX WATTAGE	6.5W
VOLTAGE	110/120v
ENVIRONMENTAL RATING	Dry Location (IP20)
CLASS PROTECTION	Class II
SHADE	GL196   MLCS062
FLEX   BAR   CHAIN LENGTH	n/a
CABLE TYPE	MLCA001   Black Fabric Braided Cable   2 Core Twisted

FIXING BRACKET: -



WWW.MULLANLIGHTING.COM

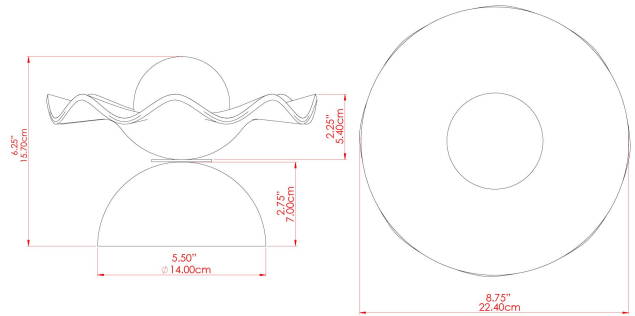
Product Notes:

1) Bulbs not included. 2) Dimensions do not include bulbs. 3) All products are individually made-to-order and therefore may differ slightly within manufacturing tolerances. 4) Cable / chain can be shortened during installation. Longer cable / chain lengths available on request. 5) Additional color finishes may be available on request. 6) Twisted cable is not available for UL wired products. Round cable in black or brown only is supplied instead. 7) Refer to our website for a full list of terms and conditions.



# RIVALE Ceramic Table Lamp

MLCMTL034SATBRSFR Satin Brass



MATERIAL	Brass   Ceramic
HEIGHT	5"
WIDTH   DIAMETER	8.25"
LENGTH   PROJECTION	n/a
WEIGHT	1.1 kg   2.5 lbs
LAMPHOLDER	G9
MAX WATTAGE	6.5W
VOLTAGE	110/120v
ENVIRONMENTAL RATING	Dry Location (IP20)
CLASS PROTECTION	Class II
SHADE	GL208   MLCS062
FLEX   BAR   CHAIN LENGTH	n/a
CABLE TYPE	MLCA001   Black Fabric Braided Cable   2 Core Twisted

FIXING BRACKET: -



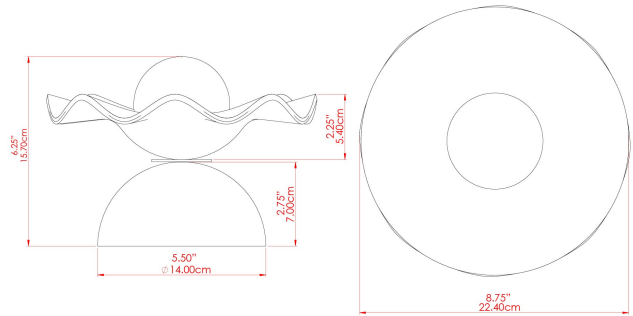
Product Notes:  
 1) Bulbs not included. 2) Dimensions do not include bulbs. 3) All products are individually made-to-order and therefore may differ slightly within manufacturing tolerances. 4) Cable / chain can be shortened during installation. Longer cable / chain lengths available on request. 5) Additional color finishes may be available on request. 6) Twisted cable is not available for UL wired products. Round cable in black or brown only is supplied instead. 7) Refer to our website for a full list of terms and conditions.





## RIVALE Ceramic Table Lamp

MLCMTL034SATBRSOP Satin Brass



MATERIAL	Brass   Ceramic	FIXING BRACKET: -
HEIGHT	5"	
WIDTH   DIAMETER	8.25"	
LENGTH   PROJECTION	n/a	
WEIGHT	1.1 kg   2.5 lbs	
LAMPHOLDER	G9	
MAX WATTAGE	6.5W	
VOLTAGE	110/120v	
ENVIRONMENTAL RATING	Dry Location (IP20)	
CLASS PROTECTION	Class II	
SHADE	GL192   MLCS060	
FLEX   BAR   CHAIN LENGTH	n/a	
CABLE TYPE	MLCA001   Black Fabric Braided Cable   2 Core Twisted	



Product Notes:  
1) Bulbs not included. 2) Dimensions do not include bulbs. 3) All products are individually made-to-order and therefore may differ slightly within manufacturing tolerances. 4) Cable / chain can be shortened during installation. Longer cable / chain lengths available on request. 5) Additional color finishes may be available on request. 6) Twisted cable is not available for UL wired products. Round cable in black or brown only is supplied instead. 7) Refer to our website for a full list of terms and conditions.

