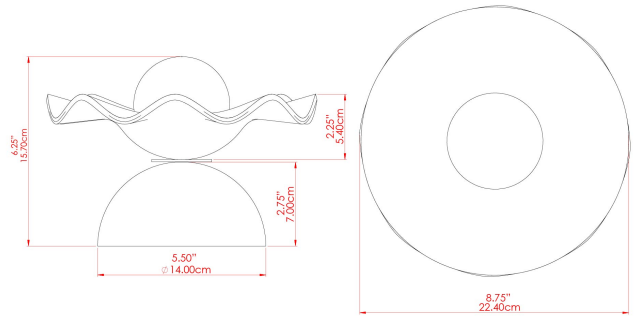


RIVALE Ceramic Table Lamp

MLCMTL033ANTBRACL Antique Brass



| | |
|---------------------------|---|
| MATERIAL | Brass Ceramic |
| HEIGHT | 5" |
| WIDTH DIAMETER | 8.25" |
| LENGTH PROJECTION | n/a |
| WEIGHT | 1.1 kg 2.5 lbs |
| LAMPHOLDER | G9 |
| MAX WATTAGE | 6.5W |
| VOLTAGE | 110/120v |
| ENVIRONMENTAL RATING | Dry Location (IP20) |
| CLASS PROTECTION | Class II |
| SHADE | GL196 MLCS061 |
| FLEX BAR CHAIN LENGTH | n/a |
| CABLE TYPE | MLCA002 Brown Fabric Braided Cable 2 Core Twisted |

FIXING BRACKET: -

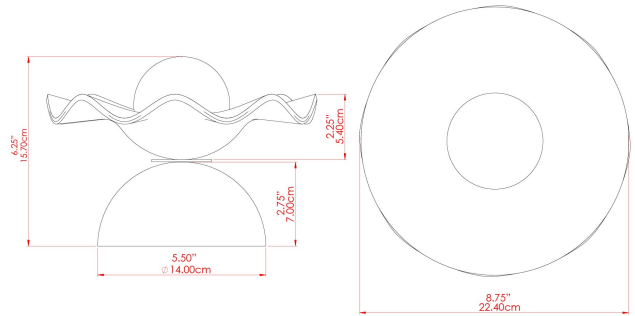


Product Notes:
 1) Bulbs not included. 2) Dimensions do not include bulbs. 3) All products are individually made-to-order and therefore may differ slightly within manufacturing tolerances. 4) Cable / chain can be shortened during installation. Longer cable / chain lengths available on request. 5) Additional color finishes may be available on request. 6) Twisted cable is not available for UL wired products. Round cable in black or brown only is supplied instead. 7) Refer to our website for a full list of terms and conditions.



RIVALE Ceramic Table Lamp

MLCMTL033ANTBRSFR Antique Brass



| | |
|---------------------------|---|
| MATERIAL | Brass Ceramic |
| HEIGHT | 5" |
| WIDTH DIAMETER | 8.25" |
| LENGTH PROJECTION | n/a |
| WEIGHT | 1.1 kg 2.5 lbs |
| LAMPHOLDER | G9 |
| MAX WATTAGE | 6.5W |
| VOLTAGE | 110/120v |
| ENVIRONMENTAL RATING | Dry Location (IP20) |
| CLASS PROTECTION | Class II |
| SHADE | GL208 MLCS061 |
| FLEX BAR CHAIN LENGTH | n/a |
| CABLE TYPE | MLCA002 Brown Fabric Braided Cable 2 Core Twisted |

FIXING BRACKET: -

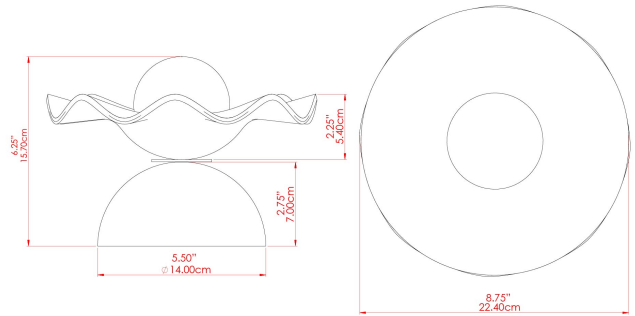


Product Notes:
 1) Bulbs not included. 2) Dimensions do not include bulbs. 3) All products are individually made-to-order and therefore may differ slightly within manufacturing tolerances. 4) Cable / chain can be shortened during installation. Longer cable / chain lengths available on request. 5) Additional color finishes may be available on request. 6) Twisted cable is not available for UL wired products. Round cable in black or brown only is supplied instead. 7) Refer to our website for a full list of terms and conditions.



RIVALE Ceramic Table Lamp

MLCMTL033ANTBRSOP Antique Brass



| | |
|---------------------------|---|
| MATERIAL | Brass Ceramic |
| HEIGHT | 5" |
| WIDTH DIAMETER | 8.25" |
| LENGTH PROJECTION | n/a |
| WEIGHT | 1.1 kg 2.5 lbs |
| LAMPHOLDER | G9 |
| MAX WATTAGE | 6.5W |
| VOLTAGE | 110/120v |
| ENVIRONMENTAL RATING | Dry Location (IP20) |
| CLASS PROTECTION | Class II |
| SHADE | GL192 MLCS061 |
| FLEX BAR CHAIN LENGTH | n/a |
| CABLE TYPE | MLCA002 Brown Fabric Braided Cable 2 Core Twisted |

FIXING BRACKET: -

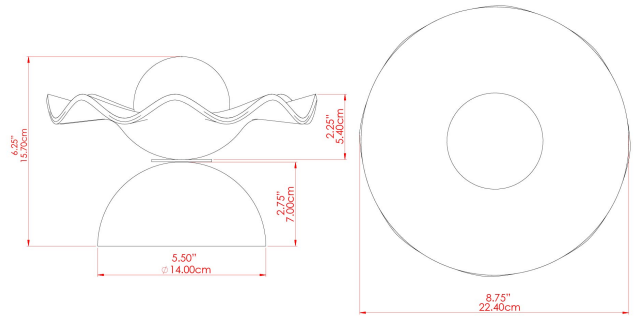


Product Notes:
 1) Bulbs not included. 2) Dimensions do not include bulbs. 3) All products are individually made-to-order and therefore may differ slightly within manufacturing tolerances. 4) Cable / chain can be shortened during installation. Longer cable / chain lengths available on request. 5) Additional color finishes may be available on request. 6) Twisted cable is not available for UL wired products. Round cable in black or brown only is supplied instead. 7) Refer to our website for a full list of terms and conditions.



RIVALE Ceramic Table Lamp

MLCMTL033ANTSLVCL Antique Silver



| | |
|---------------------------|---|
| MATERIAL | Brass Ceramic |
| HEIGHT | 5" |
| WIDTH DIAMETER | 8.25" |
| LENGTH PROJECTION | n/a |
| WEIGHT | 1.1 kg 2.5 lbs |
| LAMPHOLDER | G9 |
| MAX WATTAGE | 6.5W |
| VOLTAGE | 110/120v |
| ENVIRONMENTAL RATING | Dry Location (IP20) |
| CLASS PROTECTION | Class II |
| SHADE | GL196 MLCS061 |
| FLEX BAR CHAIN LENGTH | n/a |
| CABLE TYPE | MLCA001 Black Fabric Braided Cable 2 Core Twisted |

FIXING BRACKET: -

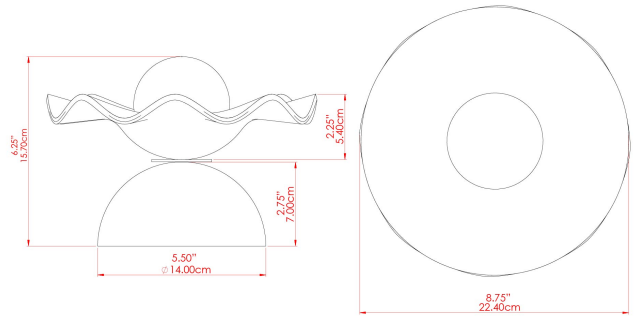


Product Notes:
 1) Bulbs not included. 2) Dimensions do not include bulbs. 3) All products are individually made-to-order and therefore may differ slightly within manufacturing tolerances. 4) Cable / chain can be shortened during installation. Longer cable / chain lengths available on request. 5) Additional color finishes may be available on request. 6) Twisted cable is not available for UL wired products. Round cable in black or brown only is supplied instead. 7) Refer to our website for a full list of terms and conditions.



RIVALE Ceramic Table Lamp

MLCMTL033ANTSLVFR Antique Silver



| | |
|---------------------------|---|
| MATERIAL | Brass Ceramic |
| HEIGHT | 5" |
| WIDTH DIAMETER | 8.25" |
| LENGTH PROJECTION | n/a |
| WEIGHT | 1.1 kg 2.5 lbs |
| LAMPHOLDER | G9 |
| MAX WATTAGE | 6.5W |
| VOLTAGE | 110/120v |
| ENVIRONMENTAL RATING | Dry Location (IP20) |
| CLASS PROTECTION | Class II |
| SHADE | GL208 MLCS061 |
| FLEX BAR CHAIN LENGTH | n/a |
| CABLE TYPE | MLCA001 Black Fabric Braided Cable 2 Core Twisted |

FIXING BRACKET: -

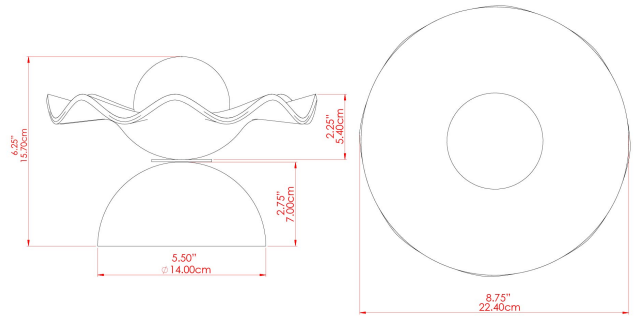


Product Notes:
 1) Bulbs not included. 2) Dimensions do not include bulbs. 3) All products are individually made-to-order and therefore may differ slightly within manufacturing tolerances. 4) Cable / chain can be shortened during installation. Longer cable / chain lengths available on request. 5) Additional color finishes may be available on request. 6) Twisted cable is not available for UL wired products. Round cable in black or brown only is supplied instead. 7) Refer to our website for a full list of terms and conditions.



RIVALE Ceramic Table Lamp

MLCMTL033ANTSLVOP Antique Silver



| | |
|---------------------------|---|
| MATERIAL | Brass Ceramic |
| HEIGHT | 5" |
| WIDTH DIAMETER | 8.25" |
| LENGTH PROJECTION | n/a |
| WEIGHT | 1.1 kg 2.5 lbs |
| LAMPHOLDER | G9 |
| MAX WATTAGE | 6.5W |
| VOLTAGE | 110/120v |
| ENVIRONMENTAL RATING | Dry Location (IP20) |
| CLASS PROTECTION | Class II |
| SHADE | GL192 MLCS061 |
| FLEX BAR CHAIN LENGTH | n/a |
| CABLE TYPE | MLCA001 Black Fabric Braided Cable 2 Core Twisted |

FIXING BRACKET: -



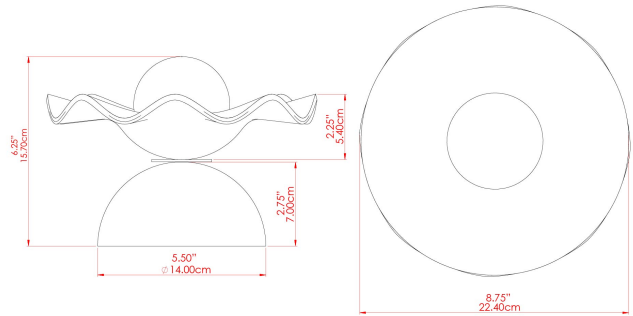
Product Notes:
 1) Bulbs not included. 2) Dimensions do not include bulbs. 3) All products are individually made-to-order and therefore may differ slightly within manufacturing tolerances. 4) Cable / chain can be shortened during installation. Longer cable / chain lengths available on request. 5) Additional color finishes may be available on request. 6) Twisted cable is not available for UL wired products. Round cable in black or brown only is supplied instead. 7) Refer to our website for a full list of terms and conditions.





RIVALE Ceramic Table Lamp

MLCMTL033PCMBKCL Matt Black



| | | |
|---------------------------|---|-------------------|
| MATERIAL | Brass Ceramic | FIXING BRACKET: - |
| HEIGHT | 5" | |
| WIDTH DIAMETER | 8.25" | |
| LENGTH PROJECTION | n/a | |
| WEIGHT | 1.1 kg 2.5 lbs | |
| LAMPHOLDER | G9 | |
| MAX WATTAGE | 6.5W | |
| VOLTAGE | 110/120v | |
| ENVIRONMENTAL RATING | Dry Location (IP20) | |
| CLASS PROTECTION | Class II | |
| SHADE | GL196 MLCS061 | |
| FLEX BAR CHAIN LENGTH | n/a | |
| CABLE TYPE | MLCA001 Black Fabric Braided Cable 2 Core Twisted | |



WWW.MULLANLIGHTING.COM

Product Notes:

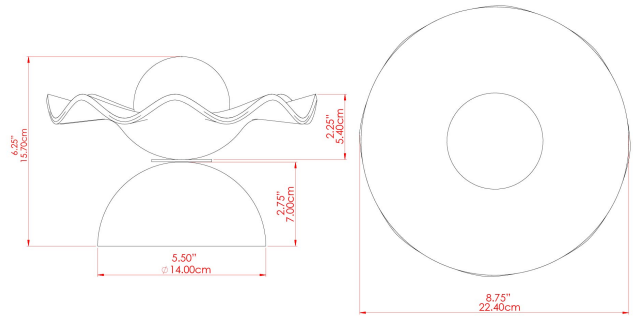
1) Bulbs not included. 2) Dimensions do not include bulbs. 3) All products are individually made-to-order and therefore may differ slightly within manufacturing tolerances. 4) Cable / chain can be shortened during installation. Longer cable / chain lengths available on request. 5) Additional color finishes may be available on request. 6) Twisted cable is not available for UL wired products. Round cable in black or brown only is supplied instead. 7) Refer to our website for a full list of terms and conditions.





RIVALE Ceramic Table Lamp

MLCMTL033PCMBKFR Matt Black



| | | |
|---------------------------|---|-------------------|
| MATERIAL | Brass Ceramic | FIXING BRACKET: - |
| HEIGHT | 5" | |
| WIDTH DIAMETER | 8.25" | |
| LENGTH PROJECTION | n/a | |
| WEIGHT | 1.1 kg 2.5 lbs | |
| LAMPHOLDER | G9 | |
| MAX WATTAGE | 6.5W | |
| VOLTAGE | 110/120v | |
| ENVIRONMENTAL RATING | Dry Location (IP20) | |
| CLASS PROTECTION | Class II | |
| SHADE | GL208 MLCS061 | |
| FLEX BAR CHAIN LENGTH | n/a | |
| CABLE TYPE | MLCA001 Black Fabric Braided Cable 2 Core Twisted | |



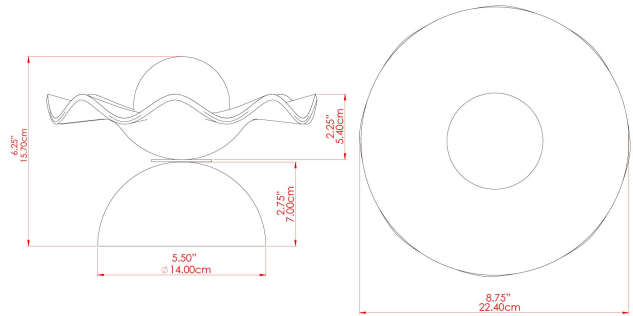
Product Notes:
1) Bulbs not included. 2) Dimensions do not include bulbs. 3) All products are individually made-to-order and therefore may differ slightly within manufacturing tolerances. 4) Cable / chain can be shortened during installation. Longer cable / chain lengths available on request. 5) Additional color finishes may be available on request. 6) Twisted cable is not available for UL wired products. Round cable in black or brown only is supplied instead. 7) Refer to our website for a full list of terms and conditions.





RIVALE Ceramic Table Lamp

MLCMTL033PCMBKOP Matt Black



| | | |
|---------------------------|---|-------------------|
| MATERIAL | Brass Ceramic | FIXING BRACKET: - |
| HEIGHT | 5" | |
| WIDTH DIAMETER | 8.25" | |
| LENGTH PROJECTION | n/a | |
| WEIGHT | 1.1 kg 2.5 lbs | |
| LAMPHOLDER | G9 | |
| MAX WATTAGE | 6.5W | |
| VOLTAGE | 110/120v | |
| ENVIRONMENTAL RATING | Dry Location (IP20) | |
| CLASS PROTECTION | Class II | |
| SHADE | GL192 MLCS061 | |
| FLEX BAR CHAIN LENGTH | n/a | |
| CABLE TYPE | MLCA001 Black Fabric Braided Cable 2 Core Twisted | |



WWW.MULLANLIGHTING.COM

Product Notes:

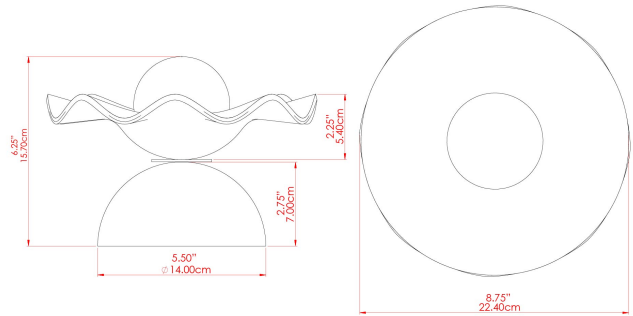
1) Bulbs not included. 2) Dimensions do not include bulbs. 3) All products are individually made-to-order and therefore may differ slightly within manufacturing tolerances. 4) Cable / chain can be shortened during installation. Longer cable / chain lengths available on request. 5) Additional color finishes may be available on request. 6) Twisted cable is not available for UL wired products. Round cable in black or brown only is supplied instead. 7) Refer to our website for a full list of terms and conditions.





RIVALE Ceramic Table Lamp

MLCMTL033POLBRSCS Polished Brass



| | |
|---------------------------|---|
| MATERIAL | Brass Ceramic |
| HEIGHT | 5" |
| WIDTH DIAMETER | 8.25" |
| LENGTH PROJECTION | n/a |
| WEIGHT | 1.1 kg 2.5 lbs |
| LAMPHOLDER | G9 |
| MAX WATTAGE | 6.5W |
| VOLTAGE | 110/120v |
| ENVIRONMENTAL RATING | Dry Location (IP20) |
| CLASS PROTECTION | Class II |
| SHADE | GL196 MLCS061 |
| FLEX BAR CHAIN LENGTH | n/a |
| CABLE TYPE | MLCA001 Black Fabric Braided Cable 2 Core Twisted |

FIXING BRACKET: -



WWW.MULLANLIGHTING.COM

Product Notes:

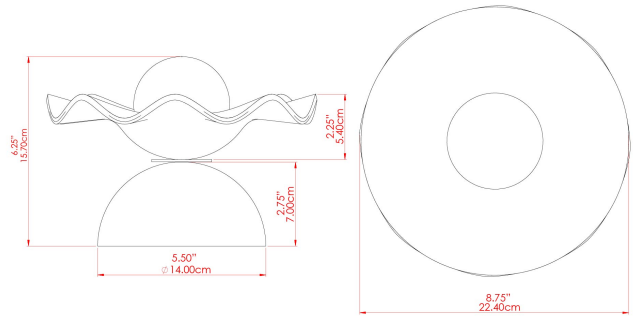
1) Bulbs not included. 2) Dimensions do not include bulbs. 3) All products are individually made-to-order and therefore may differ slightly within manufacturing tolerances. 4) Cable / chain can be shortened during installation. Longer cable / chain lengths available on request. 5) Additional color finishes may be available on request. 6) Twisted cable is not available for UL wired products. Round cable in black or brown only is supplied instead. 7) Refer to our website for a full list of terms and conditions.





RIVALE Ceramic Table Lamp

MLCMTL033POLBRSFR Polished Brass



| | |
|---------------------------|---|
| MATERIAL | Brass Ceramic |
| HEIGHT | 5" |
| WIDTH DIAMETER | 8.25" |
| LENGTH PROJECTION | n/a |
| WEIGHT | 1.1 kg 2.5 lbs |
| LAMPHOLDER | G9 |
| MAX WATTAGE | 6.5W |
| VOLTAGE | 110/120v |
| ENVIRONMENTAL RATING | Dry Location (IP20) |
| CLASS PROTECTION | Class II |
| SHADE | GL208 MLCS061 |
| FLEX BAR CHAIN LENGTH | n/a |
| CABLE TYPE | MLCA001 Black Fabric Braided Cable 2 Core Twisted |

FIXING BRACKET: -



WWW.MULLANLIGHTING.COM

Product Notes:

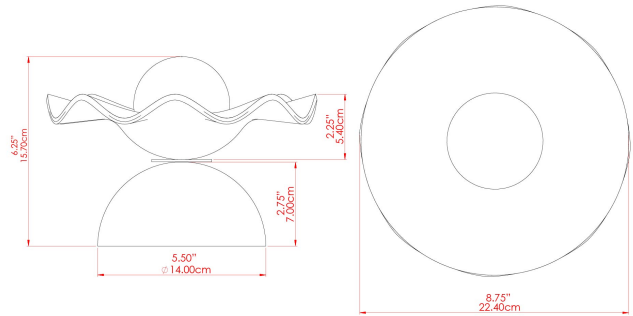
1) Bulbs not included. 2) Dimensions do not include bulbs. 3) All products are individually made-to-order and therefore may differ slightly within manufacturing tolerances. 4) Cable / chain can be shortened during installation. Longer cable / chain lengths available on request. 5) Additional color finishes may be available on request. 6) Twisted cable is not available for UL wired products. Round cable in black or brown only is supplied instead. 7) Refer to our website for a full list of terms and conditions.





RIVALE Ceramic Table Lamp

MLCMTL033POLBRSOP Polished Brass



| | |
|---------------------------|---|
| MATERIAL | Brass Ceramic |
| HEIGHT | 5" |
| WIDTH DIAMETER | 8.25" |
| LENGTH PROJECTION | n/a |
| WEIGHT | 1.1 kg 2.5 lbs |
| LAMPHOLDER | G9 |
| MAX WATTAGE | 6.5W |
| VOLTAGE | 110/120v |
| ENVIRONMENTAL RATING | Dry Location (IP20) |
| CLASS PROTECTION | Class II |
| SHADE | GL192 MLCS061 |
| FLEX BAR CHAIN LENGTH | n/a |
| CABLE TYPE | MLCA001 Black Fabric Braided Cable 2 Core Twisted |

FIXING BRACKET: -



WWW.MULLANLIGHTING.COM

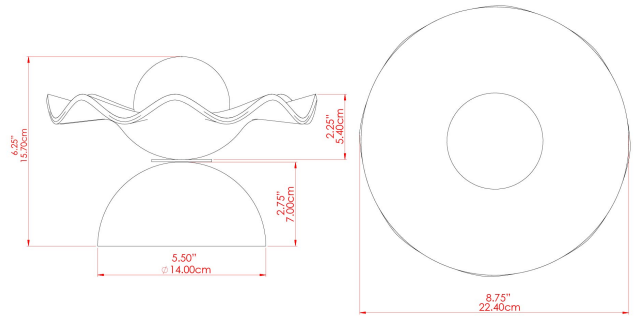
Product Notes:

1) Bulbs not included. 2) Dimensions do not include bulbs. 3) All products are individually made-to-order and therefore may differ slightly within manufacturing tolerances. 4) Cable / chain can be shortened during installation. Longer cable / chain lengths available on request. 5) Additional color finishes may be available on request. 6) Twisted cable is not available for UL wired products. Round cable in black or brown only is supplied instead. 7) Refer to our website for a full list of terms and conditions.



RIVALE Ceramic Table Lamp

MLCMTL033SATBRSL Satin Brass



| | |
|---------------------------|---|
| MATERIAL | Brass Ceramic |
| HEIGHT | 5" |
| WIDTH DIAMETER | 8.25" |
| LENGTH PROJECTION | n/a |
| WEIGHT | 1.1 kg 2.5 lbs |
| LAMPHOLDER | G9 |
| MAX WATTAGE | 6.5W |
| VOLTAGE | 110/120v |
| ENVIRONMENTAL RATING | Dry Location (IP20) |
| CLASS PROTECTION | Class II |
| SHADE | GL196 MLCS061 |
| FLEX BAR CHAIN LENGTH | n/a |
| CABLE TYPE | MLCA001 Black Fabric Braided Cable 2 Core Twisted |

FIXING BRACKET: -

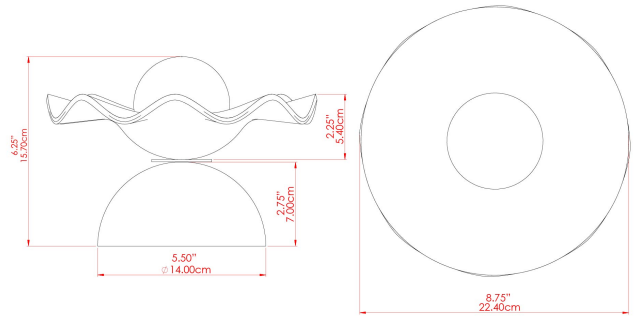


Product Notes:
 1) Bulbs not included. 2) Dimensions do not include bulbs. 3) All products are individually made-to-order and therefore may differ slightly within manufacturing tolerances. 4) Cable / chain can be shortened during installation. Longer cable / chain lengths available on request. 5) Additional color finishes may be available on request. 6) Twisted cable is not available for UL wired products. Round cable in black or brown only is supplied instead. 7) Refer to our website for a full list of terms and conditions.



RIVALE Ceramic Table Lamp

MLCMTL033SATBRSFR Satin Brass



| | |
|---------------------------|---|
| MATERIAL | Brass Ceramic |
| HEIGHT | 5" |
| WIDTH DIAMETER | 8.25" |
| LENGTH PROJECTION | n/a |
| WEIGHT | 1.1 kg 2.5 lbs |
| LAMPHOLDER | G9 |
| MAX WATTAGE | 6.5W |
| VOLTAGE | 110/120v |
| ENVIRONMENTAL RATING | Dry Location (IP20) |
| CLASS PROTECTION | Class II |
| SHADE | GL208 MLCS061 |
| FLEX BAR CHAIN LENGTH | n/a |
| CABLE TYPE | MLCA001 Black Fabric Braided Cable 2 Core Twisted |

FIXING BRACKET: -



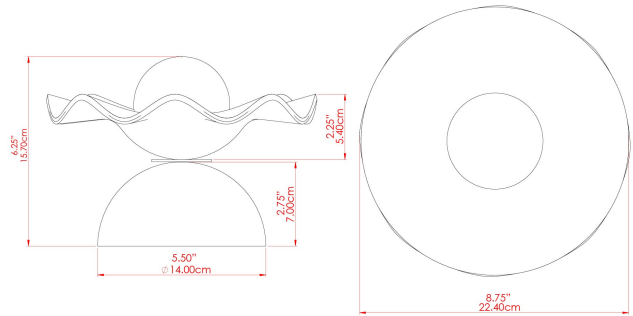
Product Notes:
 1) Bulbs not included. 2) Dimensions do not include bulbs. 3) All products are individually made-to-order and therefore may differ slightly within manufacturing tolerances. 4) Cable / chain can be shortened during installation. Longer cable / chain lengths available on request. 5) Additional color finishes may be available on request. 6) Twisted cable is not available for UL wired products. Round cable in black or brown only is supplied instead. 7) Refer to our website for a full list of terms and conditions.





RIVALE Ceramic Table Lamp

MLCMTL033SATBRSOP Satin Brass



| | | |
|---------------------------|---|-------------------|
| MATERIAL | Brass Ceramic | FIXING BRACKET: - |
| HEIGHT | 5" | |
| WIDTH DIAMETER | 8.25" | |
| LENGTH PROJECTION | n/a | |
| WEIGHT | 1.1 kg 2.5 lbs | |
| LAMPHOLDER | G9 | |
| MAX WATTAGE | 6.5W | |
| VOLTAGE | 110/120v | |
| ENVIRONMENTAL RATING | Dry Location (IP20) | |
| CLASS PROTECTION | Class II | |
| SHADE | GL192 MLCS061 | |
| FLEX BAR CHAIN LENGTH | n/a | |
| CABLE TYPE | MLCA001 Black Fabric Braided Cable 2 Core Twisted | |



WWW.MULLANLIGHTING.COM

Product Notes:

1) Bulbs not included. 2) Dimensions do not include bulbs. 3) All products are individually made-to-order and therefore may differ slightly within manufacturing tolerances. 4) Cable / chain can be shortened during installation. Longer cable / chain lengths available on request. 5) Additional color finishes may be available on request. 6) Twisted cable is not available for UL wired products. Round cable in black or brown only is supplied instead. 7) Refer to our website for a full list of terms and conditions.

