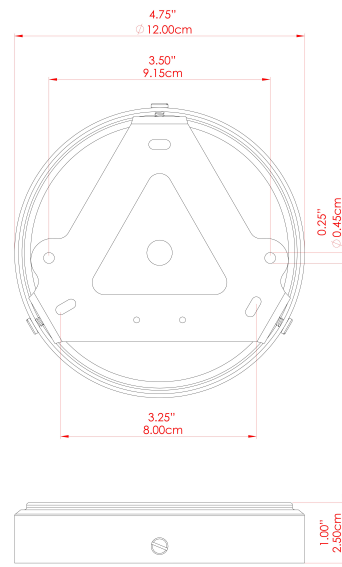


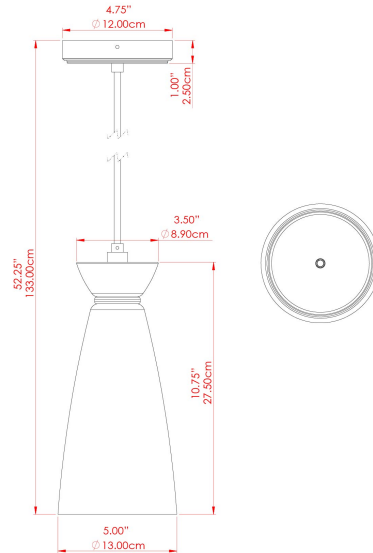
MATERIAL	Brass   Ceramic   Glass
HEIGHT	11.75"
WIDTH   DIAMETER	5.5"
LENGTH   PROJECTION	n/a
WEIGHT	1.4 kg   3 lbs
LAMPHOLDER	E26
MAX WATTAGE	6.5W
VOLTAGE	110/120v
ENVIRONMENTAL RATING	Damp Location (IP44)
CLASS PROTECTION	Class II
SHADE	MLCS075   GLWP01
FLEX   BAR   CHAIN LENGTH	n/a
CABLE TYPE	MLOCA001   Brown Fabric Braided Outdoor Rubber Cable   2 Core Round

FIXING BRACKET: MLWB17



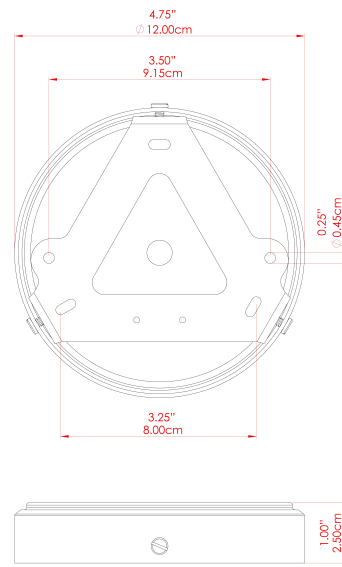
Product Notes:  
 1) Bulbs not included. 2) Dimensions do not include bulbs. 3) All products are individually made-to-order and therefore may differ slightly within manufacturing tolerances. 4) Cable / chain can be shortened during installation. Longer cable / chain lengths available on request. 5) Additional color finishes may be available on request. 6) Twisted cable is not available for UL wired products. Round cable in black or brown only is supplied instead. 7) Refer to our website for a full list of terms and conditions.





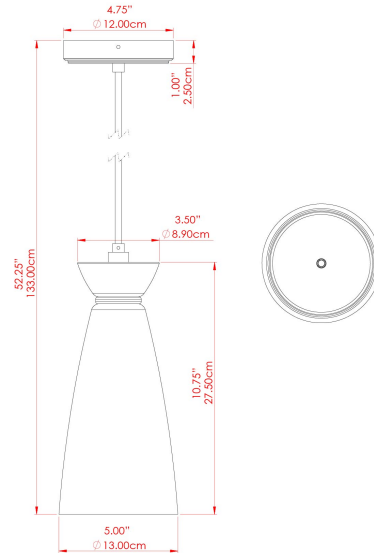
MATERIAL	Brass   Ceramic   Glass
HEIGHT	11.75"
WIDTH   DIAMETER	5.5"
LENGTH   PROJECTION	n/a
WEIGHT	1.4 kg   3 lbs
LAMPHOLDER	E26
MAX WATTAGE	6.5W
VOLTAGE	110/120v
ENVIRONMENTAL RATING	Damp Location (IP44)
CLASS PROTECTION	Class II
SHADE	MLCS075   GLWP01
FLEX   BAR   CHAIN LENGTH	n/a
CABLE TYPE	MLOCA002   Black Fabric Braided Outdoor Rubber Cable   2 Core Round

FIXING BRACKET: MLWB17



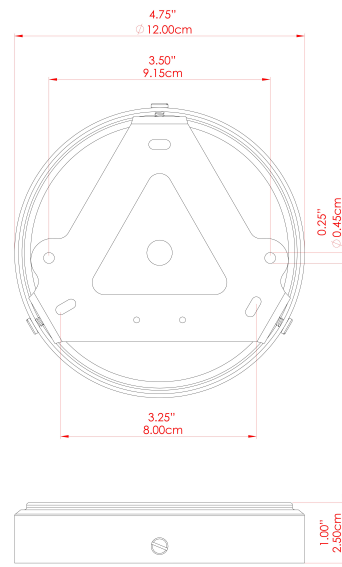
Product Notes:  
 1) Bulbs not included. 2) Dimensions do not include bulbs. 3) All products are individually made-to-order and therefore may differ slightly within manufacturing tolerances. 4) Cable / chain can be shortened during installation. Longer cable / chain lengths available on request. 5) Additional color finishes may be available on request. 6) Twisted cable is not available for UL wired products. Round cable in black or brown only is supplied instead. 7) Refer to our website for a full list of terms and conditions.





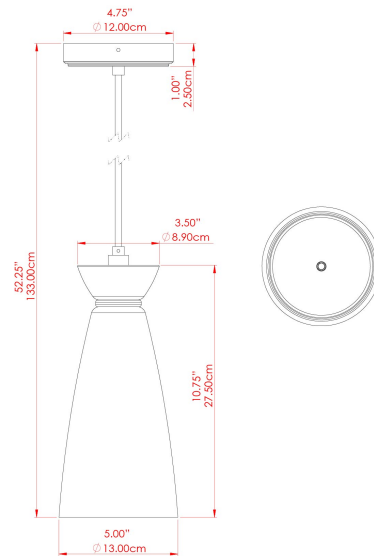
MATERIAL	Brass   Ceramic   Glass
HEIGHT	11.75"
WIDTH   DIAMETER	5.5"
LENGTH   PROJECTION	n/a
WEIGHT	1.4 kg   3 lbs
LAMPHOLDER	E26
MAX WATTAGE	6.5W
VOLTAGE	110/120v
ENVIRONMENTAL RATING	Damp Location (IP44)
CLASS PROTECTION	Class II
SHADE	MLCS075   GLWP01
FLEX   BAR   CHAIN LENGTH	n/a
CABLE TYPE	MLOCA002   Black Fabric Braided Outdoor Rubber Cable   2 Core Round

FIXING BRACKET: MLWB17



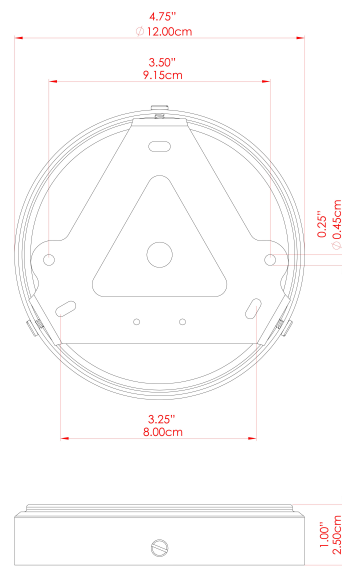
Product Notes:  
 1) Bulbs not included. 2) Dimensions do not include bulbs. 3) All products are individually made-to-order and therefore may differ slightly within manufacturing tolerances. 4) Cable / chain can be shortened during installation. Longer cable / chain lengths available on request. 5) Additional color finishes may be available on request. 6) Twisted cable is not available for UL wired products. Round cable in black or brown only is supplied instead. 7) Refer to our website for a full list of terms and conditions.





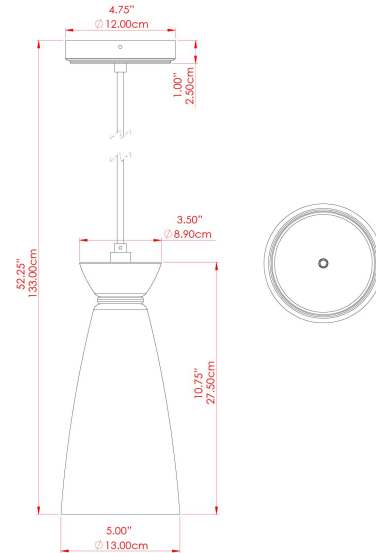
MATERIAL	Brass   Ceramic   Glass
HEIGHT	11.75"
WIDTH   DIAMETER	5.5"
LENGTH   PROJECTION	n/a
WEIGHT	1.4 kg   3 lbs
LAMPHOLDER	E26
MAX WATTAGE	6.5W
VOLTAGE	110/120v
ENVIRONMENTAL RATING	Damp Location (IP44)
CLASS PROTECTION	Class II
SHADE	MLCS075   GLWP01
FLEX   BAR   CHAIN LENGTH	n/a
CABLE TYPE	MLOCA002   Black Fabric Braided Outdoor Rubber Cable   2 Core Round

FIXING BRACKET: MLWB17



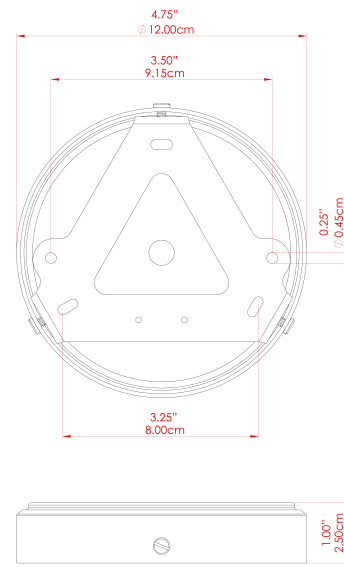
Product Notes:  
 1) Bulbs not included. 2) Dimensions do not include bulbs. 3) All products are individually made-to-order and therefore may differ slightly within manufacturing tolerances. 4) Cable / chain can be shortened during installation. Longer cable / chain lengths available on request. 5) Additional color finishes may be available on request. 6) Twisted cable is not available for UL wired products. Round cable in black or brown only is supplied instead. 7) Refer to our website for a full list of terms and conditions.





MATERIAL	Brass   Ceramic   Glass
HEIGHT	11.75"
WIDTH   DIAMETER	5.5"
LENGTH   PROJECTION	n/a
WEIGHT	1.4 kg   3 lbs
LAMPHOLDER	E26
MAX WATTAGE	6.5W
VOLTAGE	110/120v
ENVIRONMENTAL RATING	Damp Location (IP44)
CLASS PROTECTION	Class II
SHADE	MLCS075   GLWP01
FLEX   BAR   CHAIN LENGTH	n/a
CABLE TYPE	MLOCA002   Black Fabric Braided Outdoor Rubber Cable   2 Core Round

FIXING BRACKET: MLWB17



Product Notes:  
 1) Bulbs not included. 2) Dimensions do not include bulbs. 3) All products are individually made-to-order and therefore may differ slightly within manufacturing tolerances. 4) Cable / chain can be shortened during installation. Longer cable / chain lengths available on request. 5) Additional color finishes may be available on request. 6) Twisted cable is not available for UL wired products. Round cable in black or brown only is supplied instead. 7) Refer to our website for a full list of terms and conditions.

