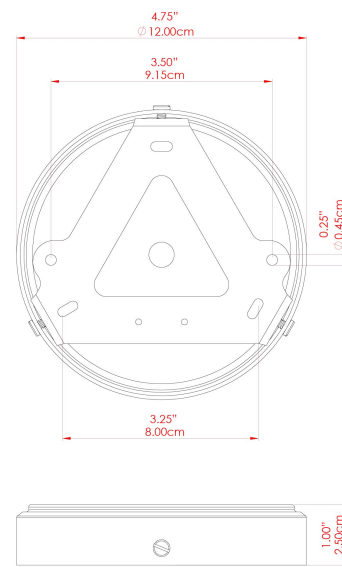


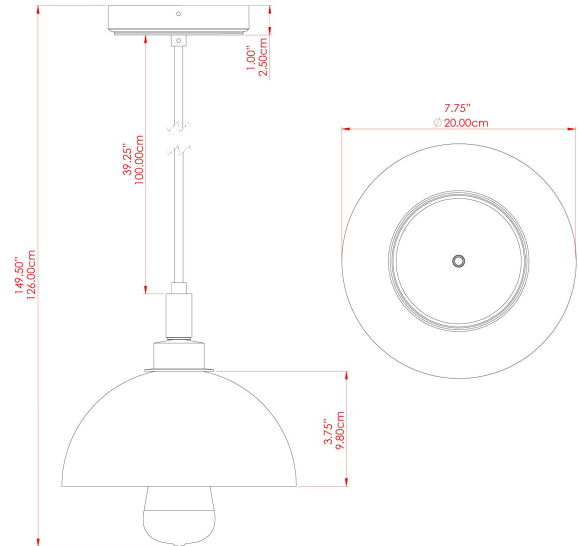
|                           |   |
|---------------------------|---|
| MATERIAL                  | Brass   Ceramic   Glass   |
| HEIGHT                    | 7.75"   |
| WIDTH   DIAMETER          | 7.75"   |
| LENGTH   PROJECTION       | n/a   |
| WEIGHT                    | 1.2 kg   2.8 lbs  |
| LAMPHOLDER                | E26   |
| MAX WATTAGE               | 6.5W  |
| VOLTAGE                   | 110/120v  |
| ENVIRONMENTAL RATING      | Damp Location (IP44)  |
| CLASS PROTECTION          | Class II  |
| SHADE                     | MLCS035   GLWP01  |
| FLEX   BAR   CHAIN LENGTH | n/a   |
| CABLE TYPE                | MLOCA001   Brown Fabric Braided Outdoor Rubber Cable   2 Core Round |

FIXING BRACKET: MLROSE39



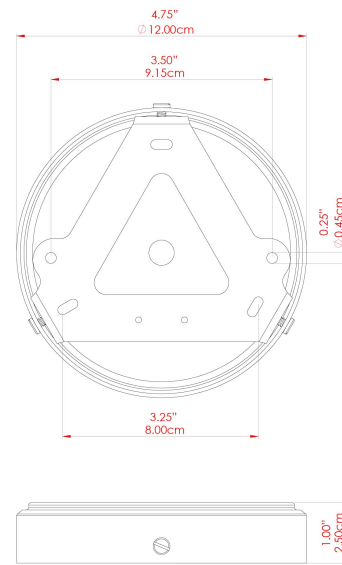
Product Notes:  
 1) Bulbs not included. 2) Dimensions do not include bulbs. 3) All products are individually made-to-order and therefore may differ slightly within manufacturing tolerances. 4) Cable / chain can be shortened during installation. Longer cable / chain lengths available on request. 5) Additional color finishes may be available on request. 6) Twisted cable is not available for UL wired products. Round cable in black or brown only is supplied instead. 7) Refer to our website for a full list of terms and conditions.





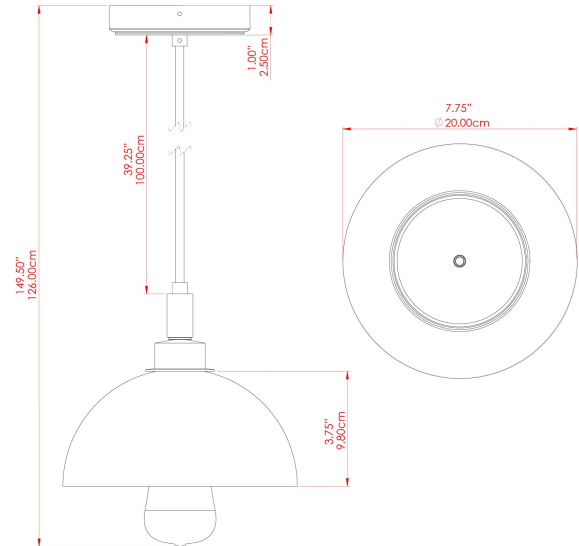
|                           |   |
|---------------------------|---|
| MATERIAL                  | Brass   Ceramic   Glass   |
| HEIGHT                    | 7.75"   |
| WIDTH   DIAMETER          | 7.75"   |
| LENGTH   PROJECTION       | n/a   |
| WEIGHT                    | 1.2 kg   2.8 lbs  |
| LAMPHOLDER                | E26   |
| MAX WATTAGE               | 6.5W  |
| VOLTAGE                   | 110/120v  |
| ENVIRONMENTAL RATING      | Damp Location (IP44)  |
| CLASS PROTECTION          | Class II  |
| SHADE                     | MLCS035   GLWP01  |
| FLEX   BAR   CHAIN LENGTH | n/a   |
| CABLE TYPE                | MLOCA002   Black Fabric Braided Outdoor Rubber Cable   2 Core Round |

FIXING BRACKET: MLROSE39



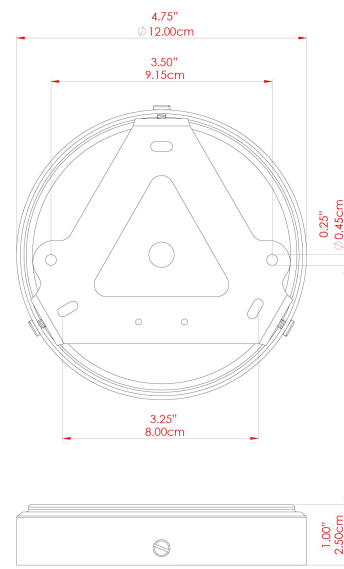
Product Notes:  
 1) Bulbs not included. 2) Dimensions do not include bulbs. 3) All products are individually made-to-order and therefore may differ slightly within manufacturing tolerances. 4) Cable / chain can be shortened during installation. Longer cable / chain lengths available on request. 5) Additional color finishes may be available on request. 6) Twisted cable is not available for UL wired products. Round cable in black or brown only is supplied instead. 7) Refer to our website for a full list of terms and conditions.





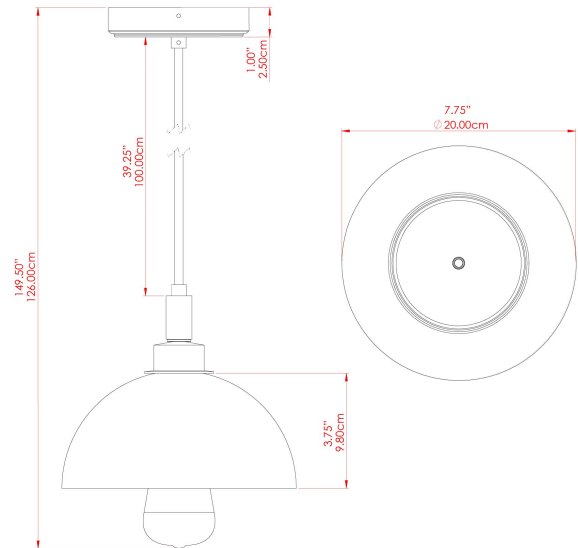
|                           |                         |
|---------------------------|-------------------------|
| MATERIAL                  | Brass   Ceramic   Glass |
| HEIGHT                    | 7.75"                   |
| WIDTH   DIAMETER          | 7.75"                   |
| LENGTH   PROJECTION       | n/a                     |
| WEIGHT                    | 1.2 kg   2.8 lbs        |
| LAMPHOLDER                | E26                     |
| MAX WATTAGE               | 6.5W                    |
| VOLTAGE                   | 110/120v                |
| ENVIRONMENTAL RATING      | Damp Location (IP44)    |
| CLASS PROTECTION          | Class II                |
| SHADE                     | MLCS035   GLWP01        |
| FLEX   BAR   CHAIN LENGTH | n/a                     |
| CABLE TYPE                |                         |

### FIXING BRACKET: MLROSE39



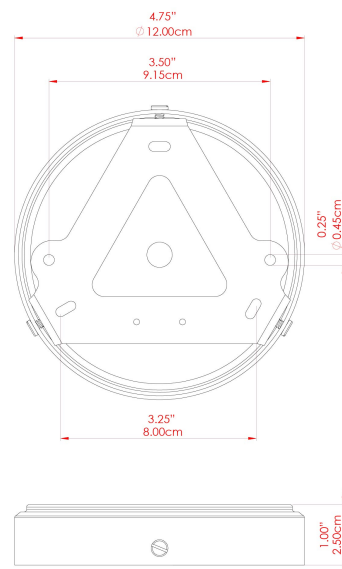
Product Notes:  
 1) Bulbs not included. 2) Dimensions do not include bulbs. 3) All products are individually made-to-order and therefore may differ slightly within manufacturing tolerances. 4) Cable / chain can be shortened during installation. Longer cable / chain lengths available on request. 5) Additional color finishes may be available on request. 6) Twisted cable is not available for UL wired products. Round cable in black or brown only is supplied instead. 7) Refer to our website for a full list of terms and conditions.





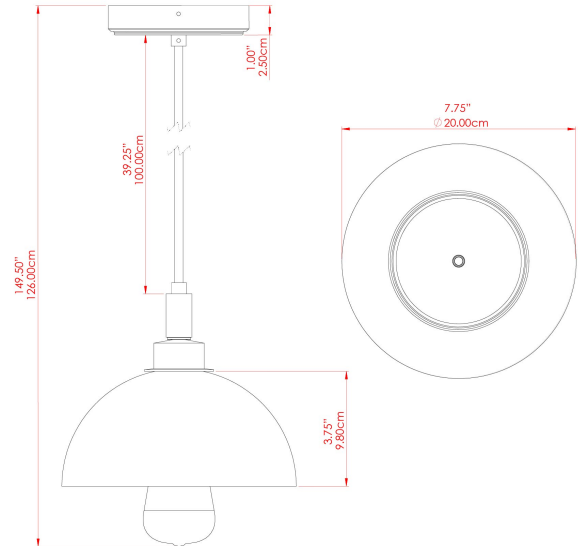
|                           |   |
|---------------------------|---|
| MATERIAL                  | Brass   Ceramic   Glass   |
| HEIGHT                    | 7.75"   |
| WIDTH   DIAMETER          | 7.75"   |
| LENGTH   PROJECTION       | n/a   |
| WEIGHT                    | 1.2 kg   2.8 lbs  |
| LAMPHOLDER                | E26   |
| MAX WATTAGE               | 6.5W  |
| VOLTAGE                   | 110/120v  |
| ENVIRONMENTAL RATING      | Damp Location (IP44)  |
| CLASS PROTECTION          | Class II  |
| SHADE                     | MLCS035   GLWP01  |
| FLEX   BAR   CHAIN LENGTH | n/a   |
| CABLE TYPE                | MLOCA002   Black Fabric Braided Outdoor Rubber Cable   2 Core Round |

FIXING BRACKET: MLROSE39



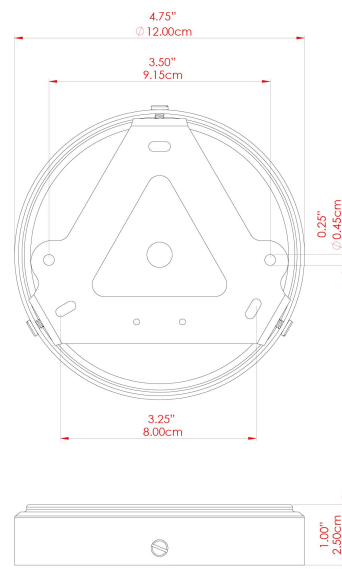
Product Notes:  
 1) Bulbs not included. 2) Dimensions do not include bulbs. 3) All products are individually made-to-order and therefore may differ slightly within manufacturing tolerances. 4) Cable / chain can be shortened during installation. Longer cable / chain lengths available on request. 5) Additional color finishes may be available on request. 6) Twisted cable is not available for UL wired products. Round cable in black or brown only is supplied instead. 7) Refer to our website for a full list of terms and conditions.





|                           |   |
|---------------------------|---|
| MATERIAL                  | Brass   Ceramic   Glass   |
| HEIGHT                    | 7.75"   |
| WIDTH   DIAMETER          | 7.75"   |
| LENGTH   PROJECTION       | n/a   |
| WEIGHT                    | 1.2 kg   2.8 lbs  |
| LAMPHOLDER                | E26   |
| MAX WATTAGE               | 6.5W  |
| VOLTAGE                   | 110/120v  |
| ENVIRONMENTAL RATING      | Damp Location (IP44)  |
| CLASS PROTECTION          | Class II  |
| SHADE                     | MLCS035   GLWP01  |
| FLEX   BAR   CHAIN LENGTH | n/a   |
| CABLE TYPE                | MLOCA002   Black Fabric Braided Outdoor Rubber Cable   2 Core Round |

FIXING BRACKET: MLROSE39



Product Notes:  
 1) Bulbs not included. 2) Dimensions do not include bulbs. 3) All products are individually made-to-order and therefore may differ slightly within manufacturing tolerances. 4) Cable / chain can be shortened during installation. Longer cable / chain lengths available on request. 5) Additional color finishes may be available on request. 6) Twisted cable is not available for UL wired products. Round cable in black or brown only is supplied instead. 7) Refer to our website for a full list of terms and conditions.

