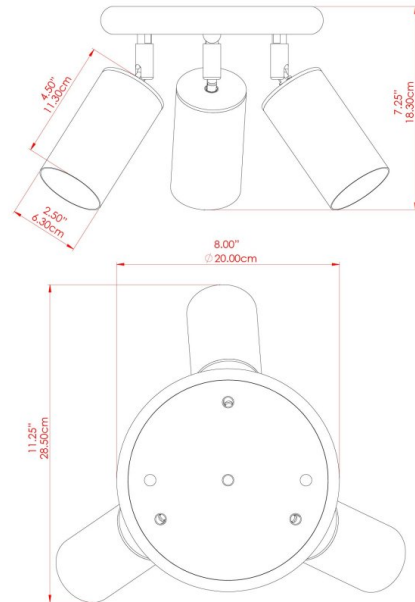




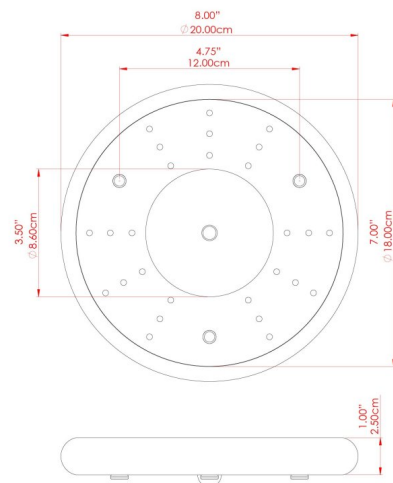
# EVANSTON Ceiling Light

MLCF133ANTBRS Antique Brass



MATERIAL	Brass
HEIGHT	7.5"
WIDTH   DIAMETER	7.75"
LENGTH   PROJECTION	n/a
WEIGHT	2.3 kg   5 lbs
LAMPHOLDER	GU10
MAX WATTAGE	5W
VOLTAGE	110/120v
ENVIRONMENTAL RATING	Dry Location (IP20)
CLASS PROTECTION	Class I
SHADE	-
FLEX   BAR   CHAIN LENGTH	n/a
CABLE TYPE	MLCA009   Black PVC Flexible Cable   2 Core

## FIXING BRACKET: MLWB28ANTBRS



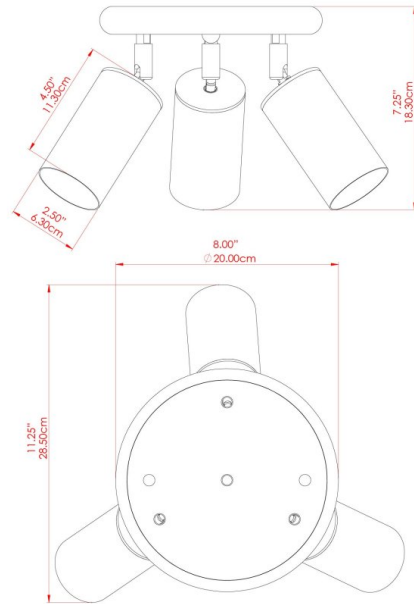
Product Notes:  
 1) Bulbs not included. 2) Dimensions do not include bulbs. 3) All products are individually made-to-order and therefore may differ slightly within manufacturing tolerances. 4) Cable / chain can be shortened during installation. Longer cable / chain lengths available on request. 5) Additional color finishes may be available on request. 6) Twisted cable is not available for UL wired products. Round cable in black or brown only is supplied instead. 7) Refer to our website for a full list of terms and conditions.





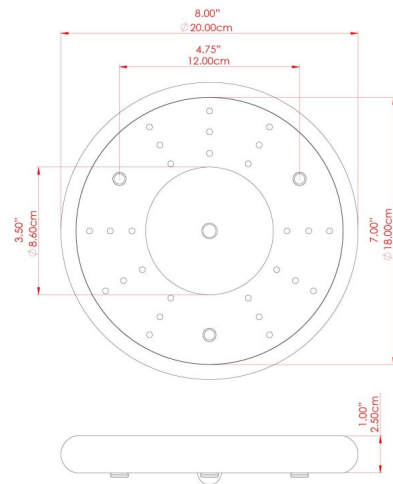
## EVANSTON Ceiling Light

MLCF133ANTSLV Antique Silver



MATERIAL	Brass
HEIGHT	7.5"
WIDTH   DIAMETER	7.75"
LENGTH   PROJECTION	n/a
WEIGHT	2.3 kg   5 lbs
LAMPHOLDER	GU10
MAX WATTAGE	5W
VOLTAGE	110/120v
ENVIRONMENTAL RATING	Dry Location (IP20)
CLASS PROTECTION	Class I
SHADE	-
FLEX   BAR   CHAIN LENGTH	n/a
CABLE TYPE	MLCA009   Black PVC Flexible Cable   2 Core

FIXING BRACKET: MLWB28ANTSLV



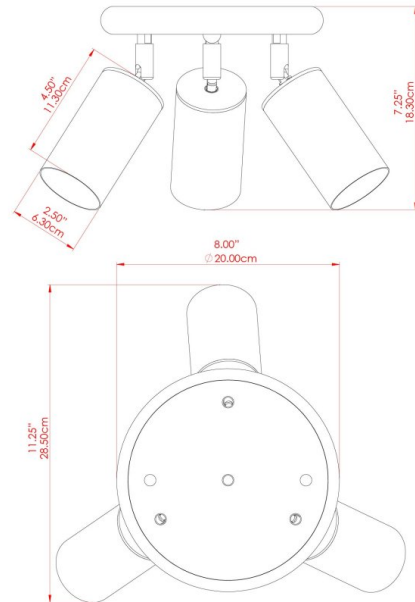
Product Notes:  
1) Bulbs not included. 2) Dimensions do not include bulbs. 3) All products are individually made-to-order and therefore may differ slightly within manufacturing tolerances. 4) Cable / chain can be shortened during installation. Longer cable / chain lengths available on request. 5) Additional color finishes may be available on request. 6) Twisted cable is not available for UL wired products. Round cable in black or brown only is supplied instead. 7) Refer to our website for a full list of terms and conditions.





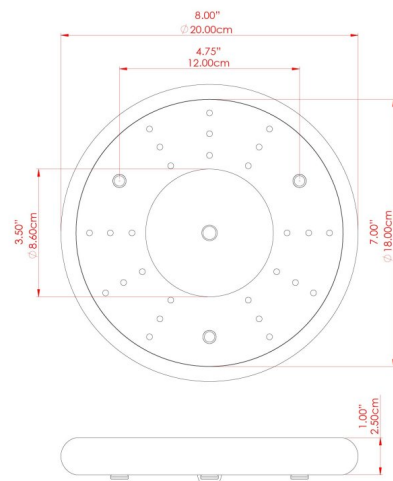
# EVANSTON Ceiling Light

MLCF133PCMBK Matt Black



MATERIAL	Brass
HEIGHT	7.5"
WIDTH   DIAMETER	7.75"
LENGTH   PROJECTION	n/a
WEIGHT	2.3 kg   5 lbs
LAMPHOLDER	GU10
MAX WATTAGE	5W
VOLTAGE	110/120v
ENVIRONMENTAL RATING	Dry Location (IP20)
CLASS PROTECTION	Class I
SHADE	-
FLEX   BAR   CHAIN LENGTH	n/a
CABLE TYPE	MLCA009   Black PVC Flexible Cable   2 Core

FIXING BRACKET: MLWB28PCMBK



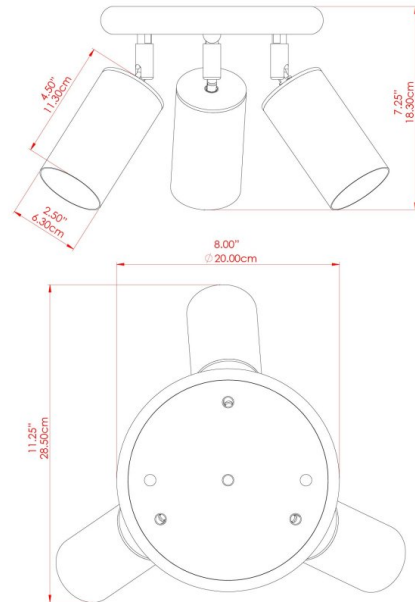
Product Notes:  
 1) Bulbs not included. 2) Dimensions do not include bulbs. 3) All products are individually made-to-order and therefore may differ slightly within manufacturing tolerances. 4) Cable / chain can be shortened during installation. Longer cable / chain lengths available on request. 5) Additional color finishes may be available on request. 6) Twisted cable is not available for UL wired products. Round cable in black or brown only is supplied instead. 7) Refer to our website for a full list of terms and conditions.





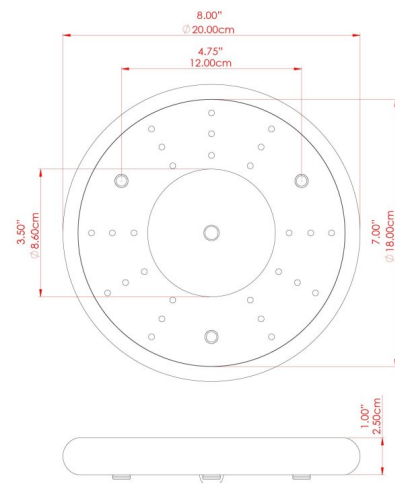
# EVANSTON Ceiling Light

MLCF133PCWTE White



MATERIAL	Brass
HEIGHT	7.5"
WIDTH   DIAMETER	7.75"
LENGTH   PROJECTION	n/a
WEIGHT	2.3 kg   5 lbs
LAMPHOLDER	GU10
MAX WATTAGE	5W
VOLTAGE	110/120v
ENVIRONMENTAL RATING	Dry Location (IP20)
CLASS PROTECTION	Class I
SHADE	-
FLEX   BAR   CHAIN LENGTH	n/a
CABLE TYPE	MLCA009   Black PVC Flexible Cable   2 Core

## FIXING BRACKET: MLWB28PCWTE



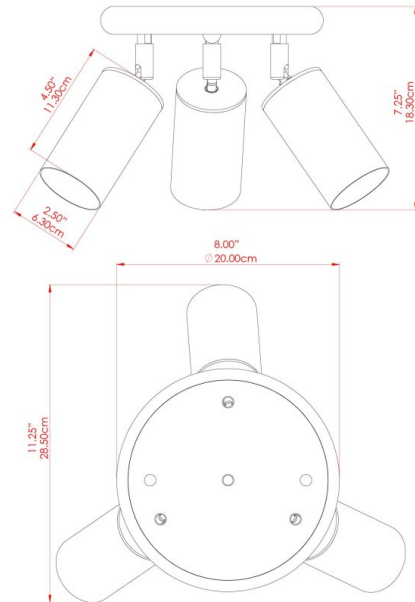
Product Notes:  
 1) Bulbs not included. 2) Dimensions do not include bulbs. 3) All products are individually made-to-order and therefore may differ slightly within manufacturing tolerances. 4) Cable / chain can be shortened during installation. Longer cable / chain lengths available on request. 5) Additional color finishes may be available on request. 6) Twisted cable is not available for UL wired products. Round cable in black or brown only is supplied instead. 7) Refer to our website for a full list of terms and conditions.





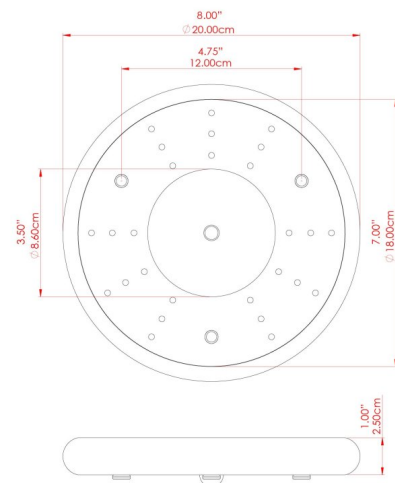
# EVANSTON Ceiling Light

MLCF133POLBRS Polished Brass



MATERIAL	Brass
HEIGHT	7.5"
WIDTH   DIAMETER	7.75"
LENGTH   PROJECTION	n/a
WEIGHT	2.3 kg   5 lbs
LAMPHOLDER	GU10
MAX WATTAGE	5W
VOLTAGE	110/120v
ENVIRONMENTAL RATING	Dry Location (IP20)
CLASS PROTECTION	Class I
SHADE	-
FLEX   BAR   CHAIN LENGTH	n/a
CABLE TYPE	MLCA009   Black PVC Flexible Cable   2 Core

## FIXING BRACKET: MLWB28POLBRS



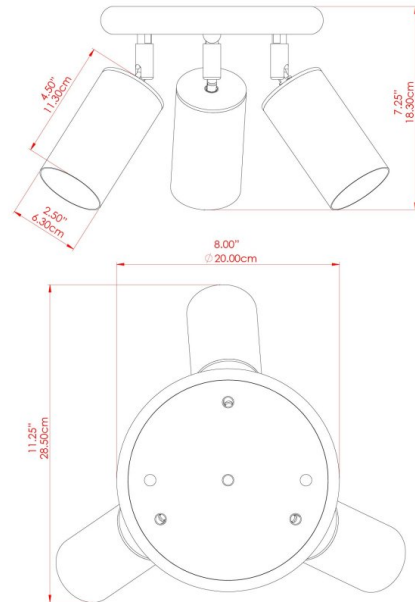
Product Notes:  
 1) Bulbs not included. 2) Dimensions do not include bulbs. 3) All products are individually made-to-order and therefore may differ slightly within manufacturing tolerances. 4) Cable / chain can be shortened during installation. Longer cable / chain lengths available on request. 5) Additional color finishes may be available on request. 6) Twisted cable is not available for UL wired products. Round cable in black or brown only is supplied instead. 7) Refer to our website for a full list of terms and conditions.





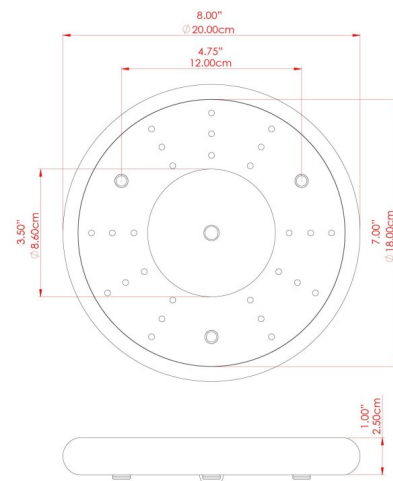
## EVANSTON Ceiling Light

MLCF133SATBRS Satin Brass



MATERIAL	Brass
HEIGHT	7.5"
WIDTH   DIAMETER	7.75"
LENGTH   PROJECTION	n/a
WEIGHT	2.3 kg   5 lbs
LAMPHOLDER	GU10
MAX WATTAGE	5W
VOLTAGE	110/120v
ENVIRONMENTAL RATING	Dry Location (IP20)
CLASS PROTECTION	Class I
SHADE	-
FLEX   BAR   CHAIN LENGTH	n/a
CABLE TYPE	MLCA009   Black PVC Flexible Cable   2 Core

FIXING BRACKET: MLWB28SATBRS



WWW.MULLANLIGHTING.COM

### Product Notes:

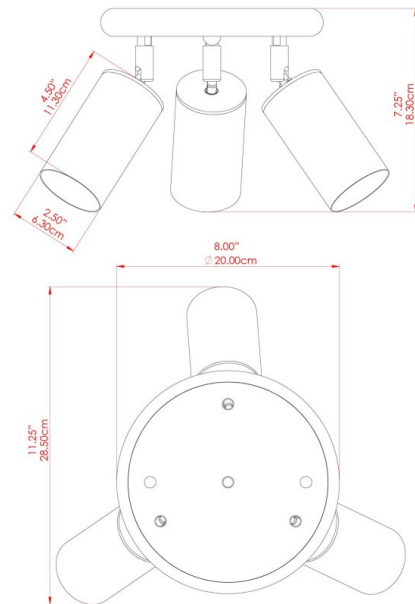
1) Bulbs not included. 2) Dimensions do not include bulbs. 3) All products are individually made-to-order and therefore may differ slightly within manufacturing tolerances. 4) Cable / chain can be shortened during installation. Longer cable / chain lengths available on request. 5) Additional color finishes may be available on request. 6) Twisted cable is not available for UL wired products. Round cable in black or brown only is supplied instead. 7) Refer to our website for a full list of terms and conditions.





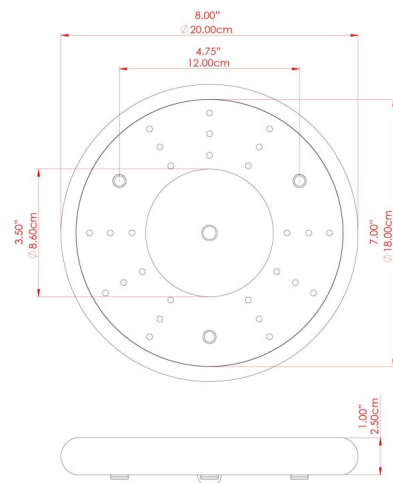
# EVANSTON Ceiling Light

MLCF133NATBRS Natural Brass



MATERIAL	Brass
HEIGHT	7.5"
WIDTH   DIAMETER	7.75"
LENGTH   PROJECTION	n/a
WEIGHT	2.3 kg   5 lbs
LAMPHOLDER	GU10
MAX WATTAGE	5W
VOLTAGE	110/120v
ENVIRONMENTAL RATING	Dry Location (IP20)
CLASS PROTECTION	Class I
SHADE	-
FLEX   BAR   CHAIN LENGTH	n/a
CABLE TYPE	MLCA009   Black PVC Flexible Cable   2 Core

### FIXING BRACKET: MLWB28NATBRS



Product Notes:  
 1) Bulbs not included. 2) Dimensions do not include bulbs. 3) All products are individually made-to-order and therefore may differ slightly within manufacturing tolerances. 4) Cable / chain can be shortened during installation. Longer cable / chain lengths available on request. 5) Additional color finishes may be available on request. 6) Twisted cable is not available for UL wired products. Round cable in black or brown only is supplied instead. 7) Refer to our website for a full list of terms and conditions.

