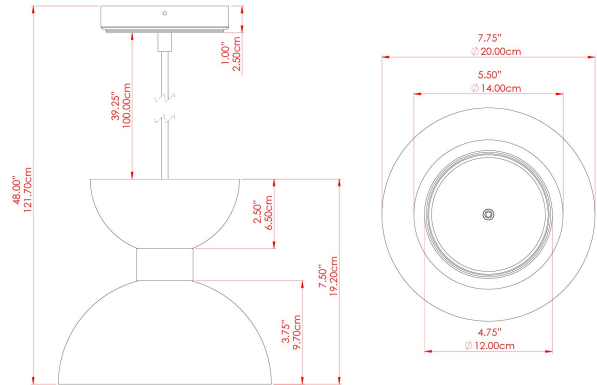


# NAKAI Ceramic Pendant

# MLCMP069ANTBRACL Antique Brass



|                           |   |
|---------------------------|---|
| MATERIAL                  | Brass   Ceramic                                     |
| HEIGHT                    | 7.75"   |
| WIDTH   DIAMETER          | 7.75"   |
| LENGTH   PROJECTION       | n/a   |
| WEIGHT                    | 2 kg   4.5 lbs                                      |
| LAMPHOLDER                | G9  |
| MAX WATTAGE               | 6.5W  |
| VOLTAGE                   | 110/120v  |
| ENVIRONMENTAL RATING      | Dry Location (IP20)                                 |
| CLASS PROTECTION          | Class I   |
| SHADE                     | GL196   MLCS087   MLCS088                           |
| FLEX   BAR   CHAIN LENGTH | 40"   |
| CABLE TYPE                | MLCA047   Brown Fabric Braided Cable   2 Core Round |

### FIXING BRACKET: MLWB17

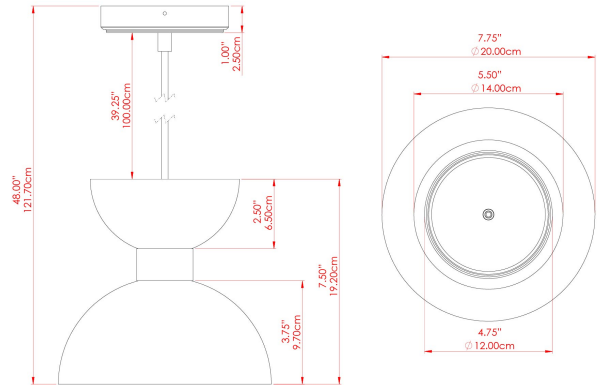


Product Notes:  
 1) Bulbs not included. 2) Dimensions do not include bulbs. 3) All products are individually made-to-order and therefore may differ slightly within manufacturing tolerances. 4) Cable / chain can be shortened during installation. Longer cable / chain lengths available on request. 5) Additional color finishes may be available on request. 6) Twisted cable is not available for UL wired products. Round cable in black or brown only is supplied instead. 7) Refer to our website for a full list of terms and conditions.



# NAKAI Ceramic Pendant

# MLCMP069ANTBRSFR Antique Brass



|                           |   |
|---------------------------|---|
| MATERIAL                  | Brass   Ceramic                                     |
| HEIGHT                    | 7.75"   |
| WIDTH   DIAMETER          | 7.75"   |
| LENGTH   PROJECTION       | n/a   |
| WEIGHT                    | 2 kg   4.5 lbs                                      |
| LAMPHOLDER                | G9  |
| MAX WATTAGE               | 6.5W  |
| VOLTAGE                   | 110/120v  |
| ENVIRONMENTAL RATING      | Dry Location (IP20)                                 |
| CLASS PROTECTION          | Class I   |
| SHADE                     | GL208   MLCS087   MLCS088                           |
| FLEX   BAR   CHAIN LENGTH | 40"   |
| CABLE TYPE                | MLCA047   Brown Fabric Braided Cable   2 Core Round |

### FIXING BRACKET: MLWB17

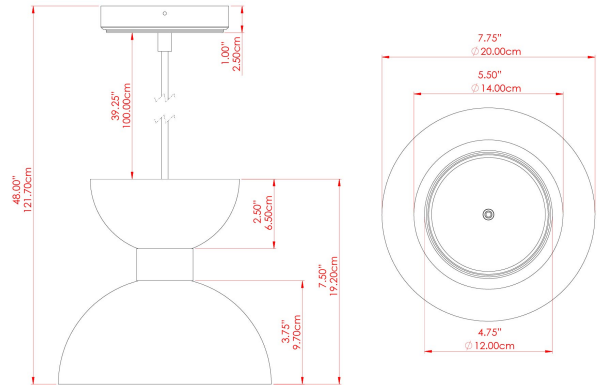


Product Notes:  
 1) Bulbs not included. 2) Dimensions do not include bulbs. 3) All products are individually made-to-order and therefore may differ slightly within manufacturing tolerances. 4) Cable / chain can be shortened during installation. Longer cable / chain lengths available on request. 5) Additional color finishes may be available on request. 6) Twisted cable is not available for UL wired products. Round cable in black or brown only is supplied instead. 7) Refer to our website for a full list of terms and conditions.



# NAKAI Ceramic Pendant

# MLCMP069ANTBRSOP Antique Brass



|                           |   |
|---------------------------|---|
| MATERIAL                  | Brass   Ceramic                                     |
| HEIGHT                    | 7.75"   |
| WIDTH   DIAMETER          | 7.75"   |
| LENGTH   PROJECTION       | n/a   |
| WEIGHT                    | 2 kg   4.5 lbs                                      |
| LAMPHOLDER                | G9  |
| MAX WATTAGE               | 6.5W  |
| VOLTAGE                   | 110/120v  |
| ENVIRONMENTAL RATING      | Dry Location (IP20)                                 |
| CLASS PROTECTION          | Class I   |
| SHADE                     | GL192   MLCS087   MLCS088                           |
| FLEX   BAR   CHAIN LENGTH | 40"   |
| CABLE TYPE                | MLCA047   Brown Fabric Braided Cable   2 Core Round |

### FIXING BRACKET: MLWB17



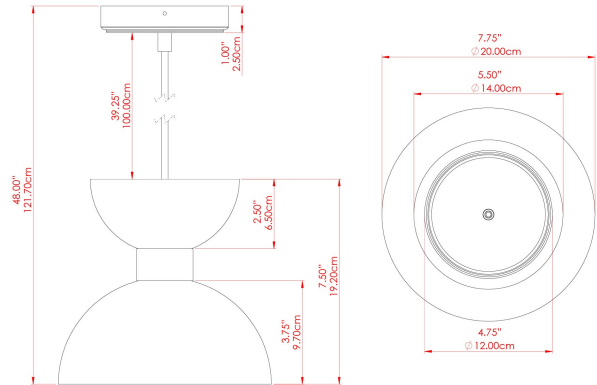
Product Notes:  
 1) Bulbs not included. 2) Dimensions do not include bulbs. 3) All products are individually made-to-order and therefore may differ slightly within manufacturing tolerances. 4) Cable / chain can be shortened during installation. Longer cable / chain lengths available on request. 5) Additional color finishes may be available on request. 6) Twisted cable is not available for UL wired products. Round cable in black or brown only is supplied instead. 7) Refer to our website for a full list of terms and conditions.





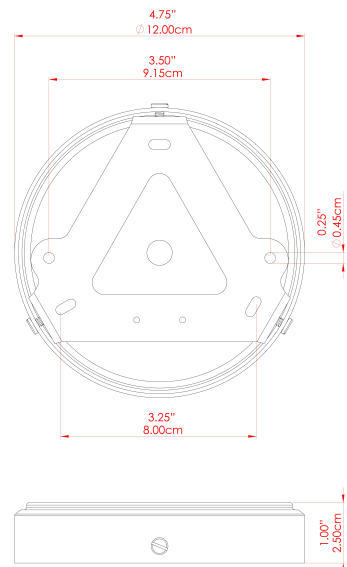
## NAKAI Ceramic Pendant

MLCMP069ANTSLVCL Antique Silver



|                           |   |
|---------------------------|---|
| MATERIAL                  | Brass   Ceramic                                     |
| HEIGHT                    | 7.75"   |
| WIDTH   DIAMETER          | 7.75"   |
| LENGTH   PROJECTION       | n/a   |
| WEIGHT                    | 2 kg   4.5 lbs                                      |
| LAMPHOLDER                | G9  |
| MAX WATTAGE               | 6.5W  |
| VOLTAGE                   | 110/120v  |
| ENVIRONMENTAL RATING      | Dry Location (IP20)                                 |
| CLASS PROTECTION          | Class I   |
| SHADE                     | GL196   MLCS087   MLCS088                           |
| FLEX   BAR   CHAIN LENGTH | 40"   |
| CABLE TYPE                | MLCA028   Black Fabric Braided Cable   2 Core Round |

FIXING BRACKET: MLWB17



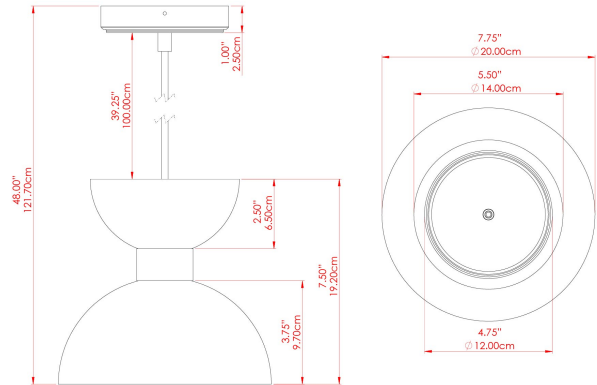
Product Notes:  
1) Bulbs not included. 2) Dimensions do not include bulbs. 3) All products are individually made-to-order and therefore may differ slightly within manufacturing tolerances. 4) Cable / chain can be shortened during installation. Longer cable / chain lengths available on request. 5) Additional color finishes may be available on request. 6) Twisted cable is not available for UL wired products. Round cable in black or brown only is supplied instead. 7) Refer to our website for a full list of terms and conditions.





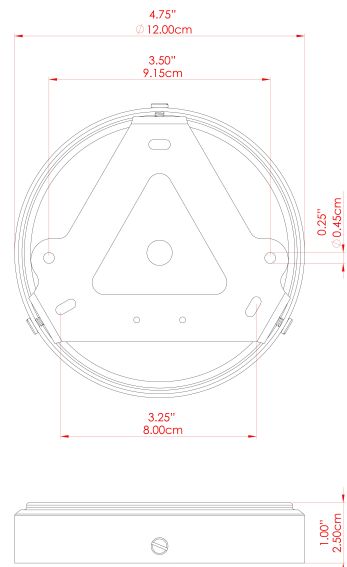
## NAKAI Ceramic Pendant

MLCMP069ANTSLVFR Antique Silver



|                           |   |
|---------------------------|---|
| MATERIAL                  | Brass   Ceramic                                     |
| HEIGHT                    | 7.75"   |
| WIDTH   DIAMETER          | 7.75"   |
| LENGTH   PROJECTION       | n/a   |
| WEIGHT                    | 2 kg   4.5 lbs                                      |
| LAMPHOLDER                | G9  |
| MAX WATTAGE               | 6.5W  |
| VOLTAGE                   | 110/120v  |
| ENVIRONMENTAL RATING      | Dry Location (IP20)                                 |
| CLASS PROTECTION          | Class I   |
| SHADE                     | GL208   MLCS087   MLCS088                           |
| FLEX   BAR   CHAIN LENGTH | 40"   |
| CABLE TYPE                | MLCA028   Black Fabric Braided Cable   2 Core Round |

FIXING BRACKET: MLWB17

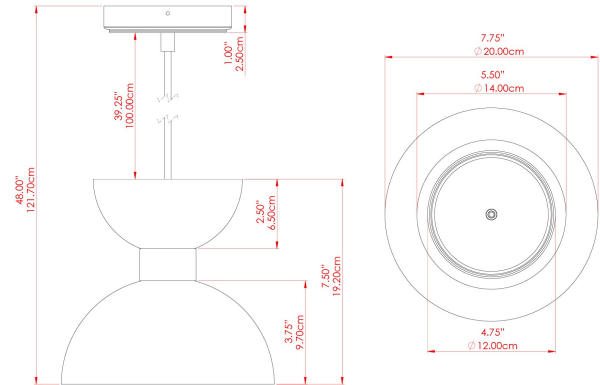


Product Notes:  
1) Bulbs not included. 2) Dimensions do not include bulbs. 3) All products are individually made-to-order and therefore may differ slightly within manufacturing tolerances. 4) Cable / chain can be shortened during installation. Longer cable / chain lengths available on request. 5) Additional color finishes may be available on request. 6) Twisted cable is not available for UL wired products. Round cable in black or brown only is supplied instead. 7) Refer to our website for a full list of terms and conditions.



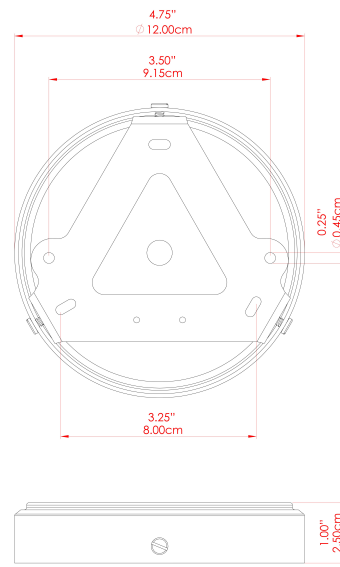
# NAKAI Ceramic Pendant

# MLCMP069ANTSLVOP Antique Silver



|                           |   |
|---------------------------|---|
| MATERIAL                  | Brass   Ceramic                                     |
| HEIGHT                    | 7.75"   |
| WIDTH   DIAMETER          | 7.75"   |
| LENGTH   PROJECTION       | n/a   |
| WEIGHT                    | 2 kg   4.5 lbs                                      |
| LAMPHOLDER                | G9  |
| MAX WATTAGE               | 6.5W  |
| VOLTAGE                   | 110/120v  |
| ENVIRONMENTAL RATING      | Dry Location (IP20)                                 |
| CLASS PROTECTION          | Class I   |
| SHADE                     | GL192   MLCS087   MLCS088                           |
| FLEX   BAR   CHAIN LENGTH | 40"   |
| CABLE TYPE                | MLCA028   Black Fabric Braided Cable   2 Core Round |

### FIXING BRACKET: MLWB17



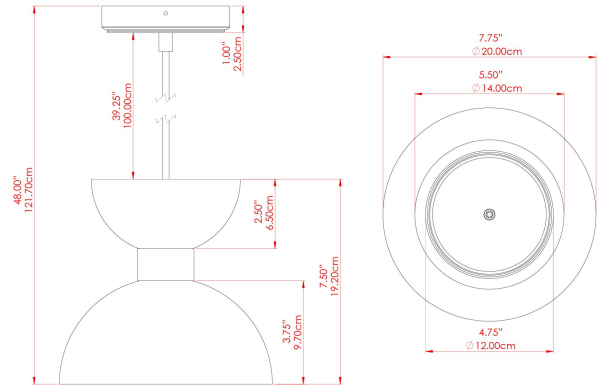
Product Notes:  
 1) Bulbs not included. 2) Dimensions do not include bulbs. 3) All products are individually made-to-order and therefore may differ slightly within manufacturing tolerances. 4) Cable / chain can be shortened during installation. Longer cable / chain lengths available on request. 5) Additional color finishes may be available on request. 6) Twisted cable is not available for UL wired products. Round cable in black or brown only is supplied instead. 7) Refer to our website for a full list of terms and conditions.





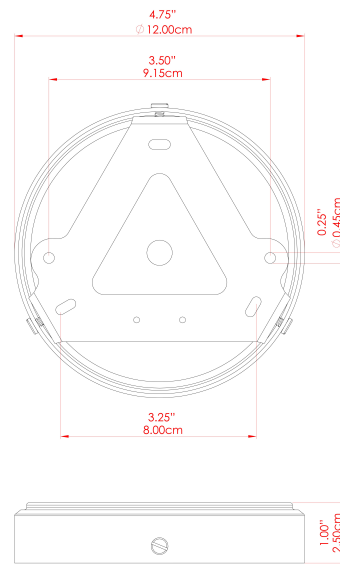
# NAKAI Ceramic Pendant

MLCMP069PCMBKCL Matt Black



|                           |   |
|---------------------------|---|
| MATERIAL                  | Brass   Ceramic                                     |
| HEIGHT                    | 7.75"   |
| WIDTH   DIAMETER          | 7.75"   |
| LENGTH   PROJECTION       | n/a   |
| WEIGHT                    | 2 kg   4.5 lbs                                      |
| LAMPHOLDER                | G9  |
| MAX WATTAGE               | 6.5W  |
| VOLTAGE                   | 110/120v  |
| ENVIRONMENTAL RATING      | Dry Location (IP20)                                 |
| CLASS PROTECTION          | Class I   |
| SHADE                     | GL196   MLCS087   MLCS088                           |
| FLEX   BAR   CHAIN LENGTH | 40"   |
| CABLE TYPE                | MLCA028   Black Fabric Braided Cable   2 Core Round |

### FIXING BRACKET: MLWB17



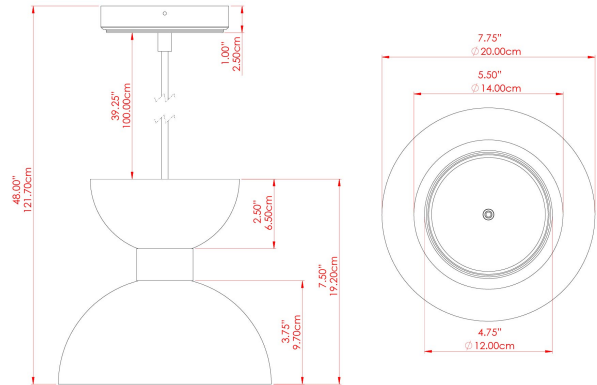
Product Notes:  
 1) Bulbs not included. 2) Dimensions do not include bulbs. 3) All products are individually made-to-order and therefore may differ slightly within manufacturing tolerances. 4) Cable / chain can be shortened during installation. Longer cable / chain lengths available on request. 5) Additional color finishes may be available on request. 6) Twisted cable is not available for UL wired products. Round cable in black or brown only is supplied instead. 7) Refer to our website for a full list of terms and conditions.





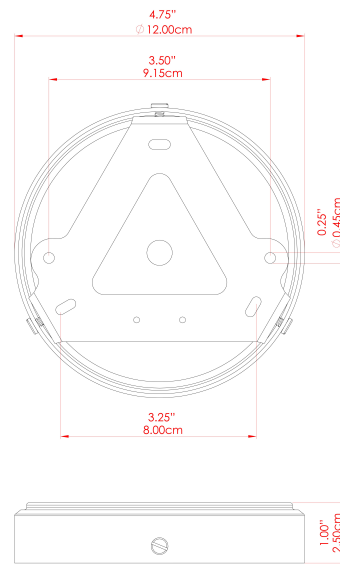
# NAKAI Ceramic Pendant

MLCMP069PCMBKFR Matt Black



|                           |   |
|---------------------------|---|
| MATERIAL                  | Brass   Ceramic                                     |
| HEIGHT                    | 7.75"   |
| WIDTH   DIAMETER          | 7.75"   |
| LENGTH   PROJECTION       | n/a   |
| WEIGHT                    | 2 kg   4.5 lbs                                      |
| LAMPHOLDER                | G9  |
| MAX WATTAGE               | 6.5W  |
| VOLTAGE                   | 110/120v  |
| ENVIRONMENTAL RATING      | Dry Location (IP20)                                 |
| CLASS PROTECTION          | Class I   |
| SHADE                     | GL208   MLCS087   MLCS088                           |
| FLEX   BAR   CHAIN LENGTH | 40"   |
| CABLE TYPE                | MLCA028   Black Fabric Braided Cable   2 Core Round |

## FIXING BRACKET: MLWB17



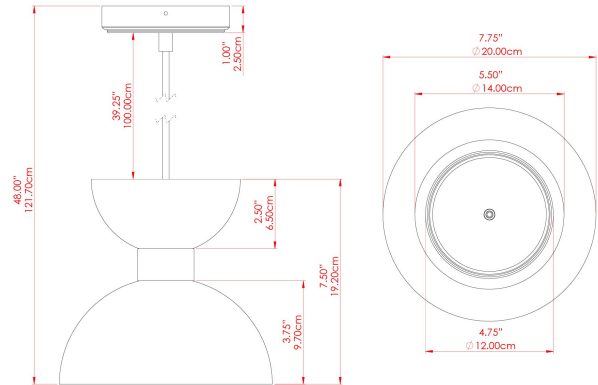
Product Notes:  
 1) Bulbs not included. 2) Dimensions do not include bulbs. 3) All products are individually made-to-order and therefore may differ slightly within manufacturing tolerances. 4) Cable / chain can be shortened during installation. Longer cable / chain lengths available on request. 5) Additional color finishes may be available on request. 6) Twisted cable is not available for UL wired products. Round cable in black or brown only is supplied instead. 7) Refer to our website for a full list of terms and conditions.





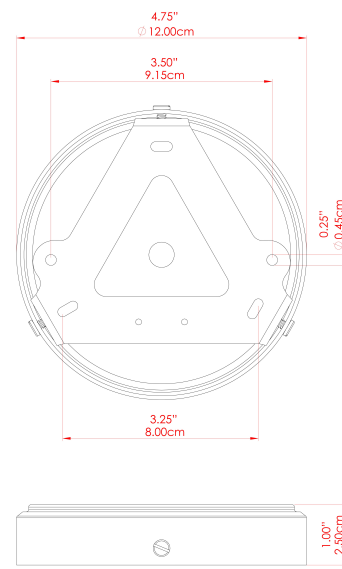
## NAKAI Ceramic Pendant

MLCMP069PCMBKOP Matt Black



|                           |   |
|---------------------------|---|
| MATERIAL                  | Brass   Ceramic                                     |
| HEIGHT                    | 7.75"   |
| WIDTH   DIAMETER          | 7.75"   |
| LENGTH   PROJECTION       | n/a   |
| WEIGHT                    | 2 kg   4.5 lbs                                      |
| LAMPHOLDER                | G9  |
| MAX WATTAGE               | 6.5W  |
| VOLTAGE                   | 110/120v  |
| ENVIRONMENTAL RATING      | Dry Location (IP20)                                 |
| CLASS PROTECTION          | Class I   |
| SHADE                     | GL192   MLCS087   MLCS088                           |
| FLEX   BAR   CHAIN LENGTH | 40"   |
| CABLE TYPE                | MLCA028   Black Fabric Braided Cable   2 Core Round |

FIXING BRACKET: MLWB17



WWW.MULLANLIGHTING.COM

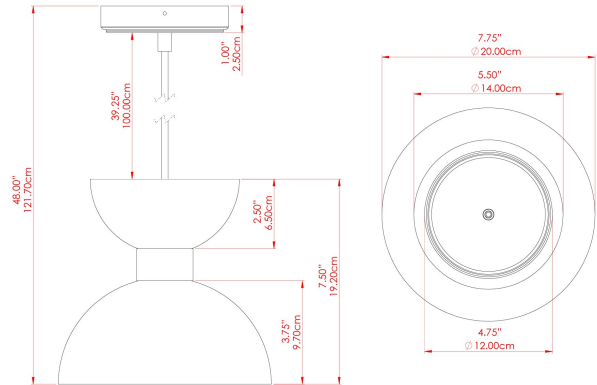
**Product Notes:**

1) Bulbs not included. 2) Dimensions do not include bulbs. 3) All products are individually made-to-order and therefore may differ slightly within manufacturing tolerances. 4) Cable / chain can be shortened during installation. Longer cable / chain lengths available on request. 5) Additional color finishes may be available on request. 6) Twisted cable is not available for UL wired products. Round cable in black or brown only is supplied instead. 7) Refer to our website for a full list of terms and conditions.



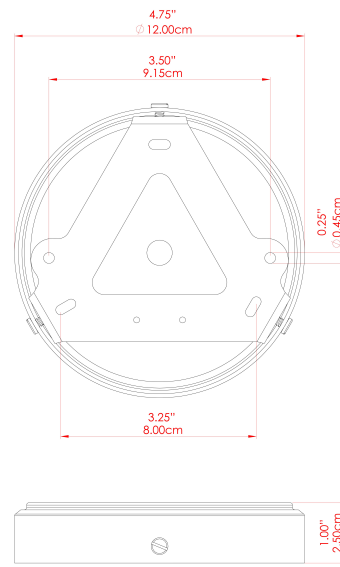
# NAKAI Ceramic Pendant

## MLCMP069POLBRSC Polished Brass



|                           |   |
|---------------------------|---|
| MATERIAL                  | Brass   Ceramic                                     |
| HEIGHT                    | 7.75"   |
| WIDTH   DIAMETER          | 7.75"   |
| LENGTH   PROJECTION       | n/a   |
| WEIGHT                    | 2 kg   4.5 lbs                                      |
| LAMPHOLDER                | G9  |
| MAX WATTAGE               | 6.5W  |
| VOLTAGE                   | 110/120v  |
| ENVIRONMENTAL RATING      | Dry Location (IP20)                                 |
| CLASS PROTECTION          | Class I   |
| SHADE                     | GL196   MLCS087   MLCS088                           |
| FLEX   BAR   CHAIN LENGTH | 40"   |
| CABLE TYPE                | MLCA028   Black Fabric Braided Cable   2 Core Round |

### FIXING BRACKET: MLWB17



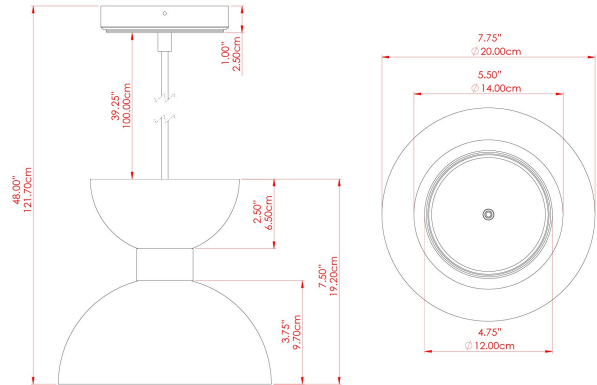
Product Notes:  
 1) Bulbs not included. 2) Dimensions do not include bulbs. 3) All products are individually made-to-order and therefore may differ slightly within manufacturing tolerances. 4) Cable / chain can be shortened during installation. Longer cable / chain lengths available on request. 5) Additional color finishes may be available on request. 6) Twisted cable is not available for UL wired products. Round cable in black or brown only is supplied instead. 7) Refer to our website for a full list of terms and conditions.





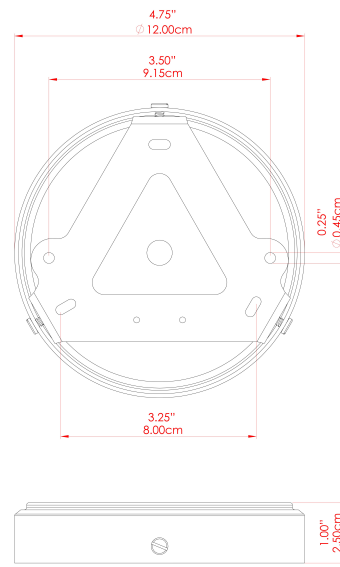
# NAKAI Ceramic Pendant

MLCMP069POLBRSFR Polished Brass



|                           |   |
|---------------------------|---|
| MATERIAL                  | Brass   Ceramic                                     |
| HEIGHT                    | 7.75"   |
| WIDTH   DIAMETER          | 7.75"   |
| LENGTH   PROJECTION       | n/a   |
| WEIGHT                    | 2 kg   4.5 lbs                                      |
| LAMPHOLDER                | G9  |
| MAX WATTAGE               | 6.5W  |
| VOLTAGE                   | 110/120v  |
| ENVIRONMENTAL RATING      | Dry Location (IP20)                                 |
| CLASS PROTECTION          | Class I   |
| SHADE                     | GL208   MLCS087   MLCS088                           |
| FLEX   BAR   CHAIN LENGTH | 40"   |
| CABLE TYPE                | MLCA028   Black Fabric Braided Cable   2 Core Round |

### FIXING BRACKET: MLWB17



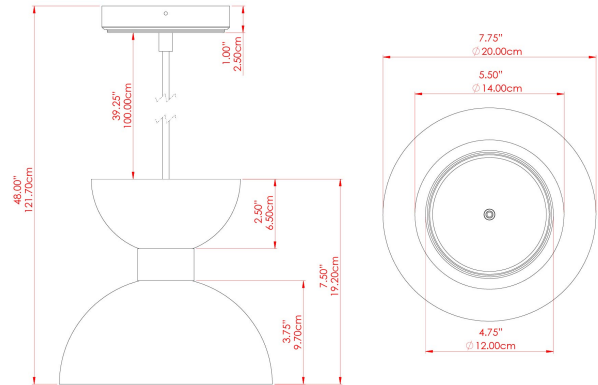
Product Notes:  
 1) Bulbs not included. 2) Dimensions do not include bulbs. 3) All products are individually made-to-order and therefore may differ slightly within manufacturing tolerances. 4) Cable / chain can be shortened during installation. Longer cable / chain lengths available on request. 5) Additional color finishes may be available on request. 6) Twisted cable is not available for UL wired products. Round cable in black or brown only is supplied instead. 7) Refer to our website for a full list of terms and conditions.





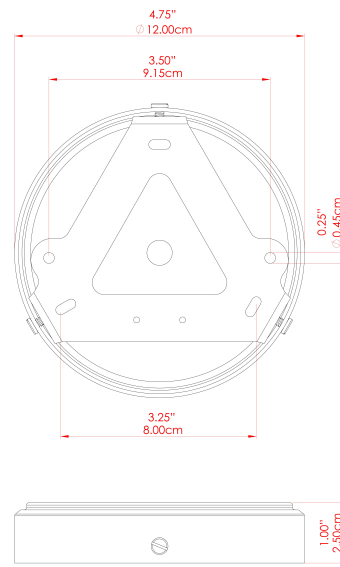
# NAKAI Ceramic Pendant

MLCMP069POLBRSOP Polished Brass



|                           |   |
|---------------------------|---|
| MATERIAL                  | Brass   Ceramic                                     |
| HEIGHT                    | 7.75"   |
| WIDTH   DIAMETER          | 7.75"   |
| LENGTH   PROJECTION       | n/a   |
| WEIGHT                    | 2 kg   4.5 lbs                                      |
| LAMPHOLDER                | G9  |
| MAX WATTAGE               | 6.5W  |
| VOLTAGE                   | 110/120v  |
| ENVIRONMENTAL RATING      | Dry Location (IP20)                                 |
| CLASS PROTECTION          | Class I   |
| SHADE                     | GL192   MLCS087   MLCS088                           |
| FLEX   BAR   CHAIN LENGTH | 40"   |
| CABLE TYPE                | MLCA028   Black Fabric Braided Cable   2 Core Round |

FIXING BRACKET: MLWB17



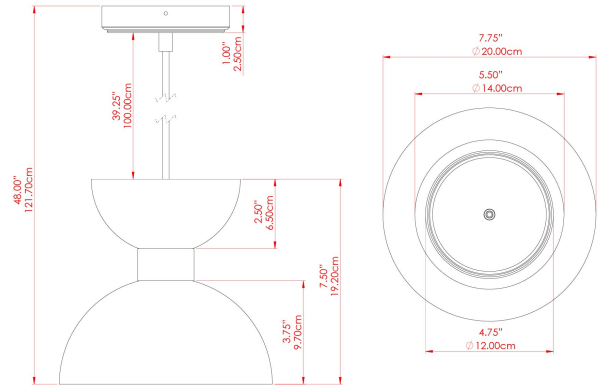
Product Notes:  
 1) Bulbs not included. 2) Dimensions do not include bulbs. 3) All products are individually made-to-order and therefore may differ slightly within manufacturing tolerances. 4) Cable / chain can be shortened during installation. Longer cable / chain lengths available on request. 5) Additional color finishes may be available on request. 6) Twisted cable is not available for UL wired products. Round cable in black or brown only is supplied instead. 7) Refer to our website for a full list of terms and conditions.





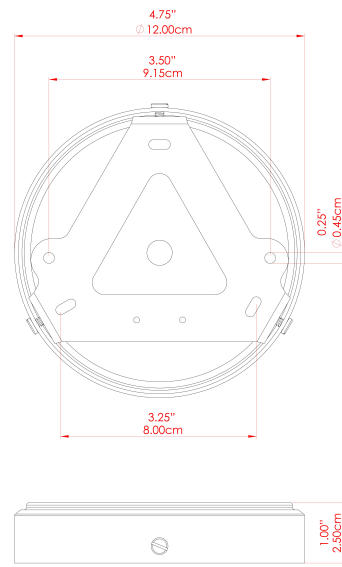
## NAKAI Ceramic Pendant

MLCMP069SATBRSL Satin Brass



|                           |   |
|---------------------------|---|
| MATERIAL                  | Brass   Ceramic                                     |
| HEIGHT                    | 7.75"   |
| WIDTH   DIAMETER          | 7.75"   |
| LENGTH   PROJECTION       | n/a   |
| WEIGHT                    | 2 kg   4.5 lbs                                      |
| LAMPHOLDER                | G9  |
| MAX WATTAGE               | 6.5W  |
| VOLTAGE                   | 110/120v  |
| ENVIRONMENTAL RATING      | Dry Location (IP20)                                 |
| CLASS PROTECTION          | Class I   |
| SHADE                     | GL196   MLCS087   MLCS088                           |
| FLEX   BAR   CHAIN LENGTH | 40"   |
| CABLE TYPE                | MLCA028   Black Fabric Braided Cable   2 Core Round |

### FIXING BRACKET: MLWB17

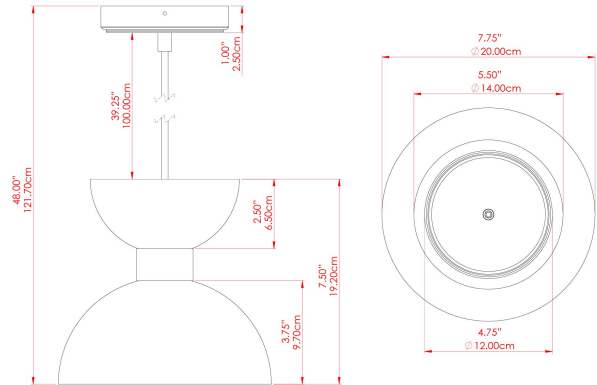


Product Notes:  
1) Bulbs not included. 2) Dimensions do not include bulbs. 3) All products are individually made-to-order and therefore may differ slightly within manufacturing tolerances. 4) Cable / chain can be shortened during installation. Longer cable / chain lengths available on request. 5) Additional color finishes may be available on request. 6) Twisted cable is not available for UL wired products. Round cable in black or brown only is supplied instead. 7) Refer to our website for a full list of terms and conditions.



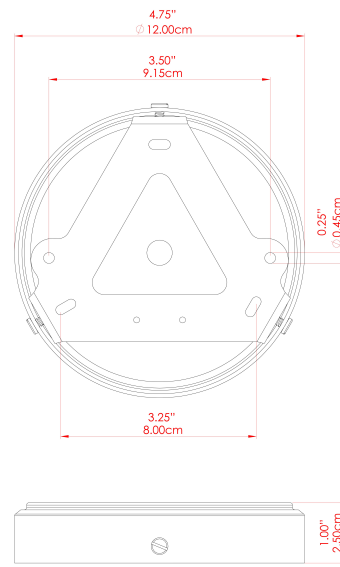
# NAKAI Ceramic Pendant

MLCMP069SATBRSFR Satin Brass



|                           |   |
|---------------------------|---|
| MATERIAL                  | Brass   Ceramic                                     |
| HEIGHT                    | 7.75"   |
| WIDTH   DIAMETER          | 7.75"   |
| LENGTH   PROJECTION       | n/a   |
| WEIGHT                    | 2 kg   4.5 lbs                                      |
| LAMPHOLDER                | G9  |
| MAX WATTAGE               | 6.5W  |
| VOLTAGE                   | 110/120v  |
| ENVIRONMENTAL RATING      | Dry Location (IP20)                                 |
| CLASS PROTECTION          | Class I   |
| SHADE                     | GL208   MLCS087   MLCS088                           |
| FLEX   BAR   CHAIN LENGTH | 40"   |
| CABLE TYPE                | MLCA028   Black Fabric Braided Cable   2 Core Round |

### FIXING BRACKET: MLWB17



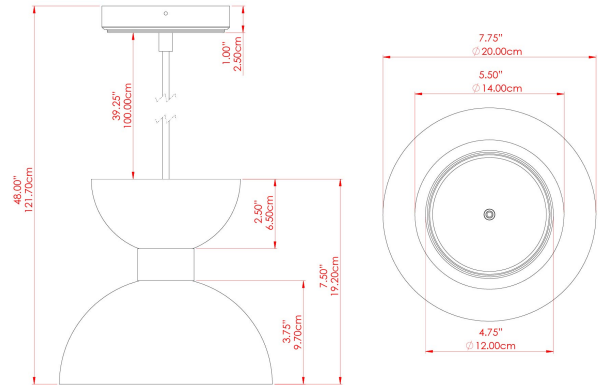
Product Notes:  
 1) Bulbs not included. 2) Dimensions do not include bulbs. 3) All products are individually made-to-order and therefore may differ slightly within manufacturing tolerances. 4) Cable / chain can be shortened during installation. Longer cable / chain lengths available on request. 5) Additional color finishes may be available on request. 6) Twisted cable is not available for UL wired products. Round cable in black or brown only is supplied instead. 7) Refer to our website for a full list of terms and conditions.





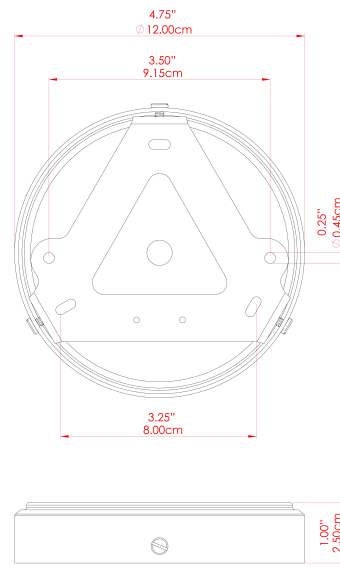
# NAKAI Ceramic Pendant

MLCMP069SATBRSOP Satin Brass



|                           |   |
|---------------------------|---|
| MATERIAL                  | Brass   Ceramic                                     |
| HEIGHT                    | 7.75"   |
| WIDTH   DIAMETER          | 7.75"   |
| LENGTH   PROJECTION       | n/a   |
| WEIGHT                    | 2 kg   4.5 lbs                                      |
| LAMPHOLDER                | G9  |
| MAX WATTAGE               | 6.5W  |
| VOLTAGE                   | 110/120v  |
| ENVIRONMENTAL RATING      | Dry Location (IP20)                                 |
| CLASS PROTECTION          | Class I   |
| SHADE                     | GL192   MLCS087   MLCS088                           |
| FLEX   BAR   CHAIN LENGTH | 40"   |
| CABLE TYPE                | MLCA028   Black Fabric Braided Cable   2 Core Round |

### FIXING BRACKET: MLWB17



Product Notes:  
 1) Bulbs not included. 2) Dimensions do not include bulbs. 3) All products are individually made-to-order and therefore may differ slightly within manufacturing tolerances. 4) Cable / chain can be shortened during installation. Longer cable / chain lengths available on request. 5) Additional color finishes may be available on request. 6) Twisted cable is not available for UL wired products. Round cable in black or brown only is supplied instead. 7) Refer to our website for a full list of terms and conditions.

