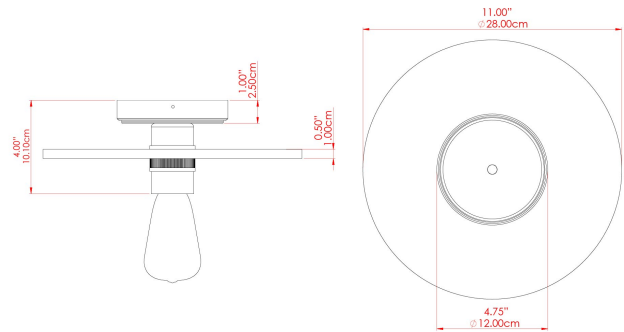


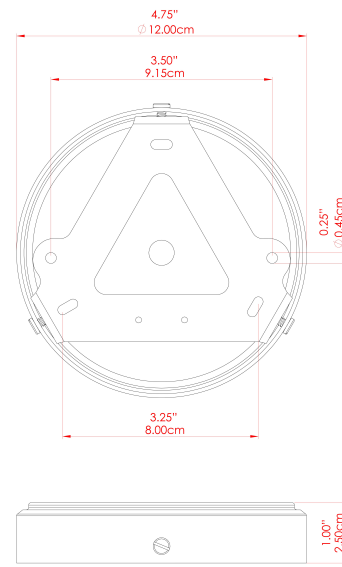
# BOG Ceramic Ceiling Fitting

# MLCMCF016ANTSLV Antique Silver



MATERIAL	Brass   Ceramic
HEIGHT	n/a
WIDTH   DIAMETER	11"
LENGTH   PROJECTION	4"
WEIGHT	1.3 kg   2.8 lbs
LAMPHOLDER	E26
MAX WATTAGE	40W
VOLTAGE	110/120v
ENVIRONMENTAL RATING	Dry Location (IP20)
CLASS PROTECTION	Class I
SHADE	MLCS019
FLEX   BAR   CHAIN LENGTH	n/a
CABLE TYPE	

## FIXING BRACKET: MLWB17 | Antique Silver

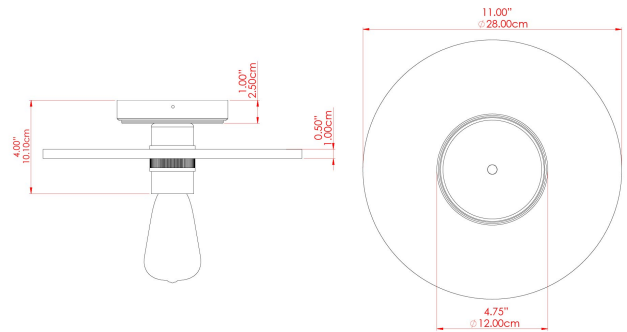


Product Notes:  
 1) Bulbs not included. 2) Dimensions do not include bulbs. 3) All products are individually made-to-order and therefore may differ slightly within manufacturing tolerances. 4) Cable / chain can be shortened during installation. Longer cable / chain lengths available on request. 5) Additional color finishes may be available on request. 6) Twisted cable is not available for UL wired products. Round cable in black or brown only is supplied instead. 7) Refer to our website for a full list of terms and conditions.



# BOG Ceramic Ceiling Fitting

# MLCMCF016ANTBRS Antique Brass



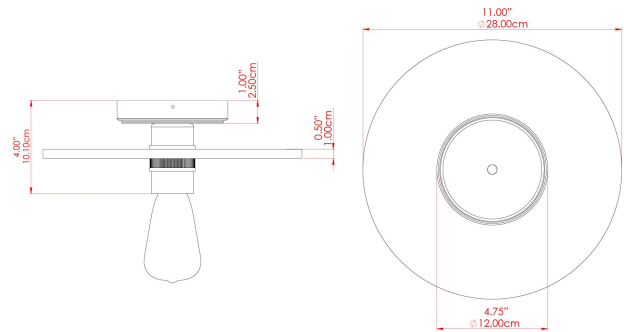
MATERIAL	Brass   Ceramic
HEIGHT	n/a
WIDTH   DIAMETER	11"
LENGTH   PROJECTION	4"
WEIGHT	1.3 kg   2.8 lbs
LAMPHOLDER	E26
MAX WATTAGE	40W
VOLTAGE	110/120v
ENVIRONMENTAL RATING	Dry Location (IP20)
CLASS PROTECTION	Class I
SHADE	MLCS019
FLEX   BAR   CHAIN LENGTH	n/a
CABLE TYPE	

## FIXING BRACKET: MLWB17 | Antique Brass



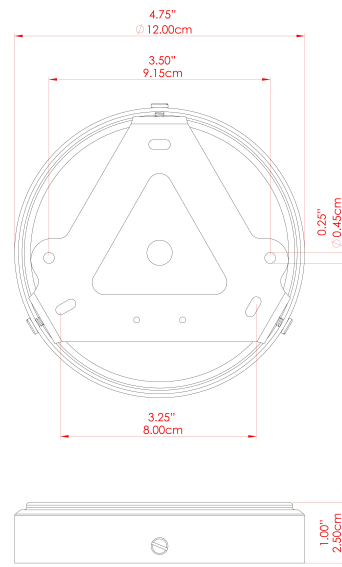
# BOG Ceramic Ceiling Fitting

MLCMCF016PCMBK Matt Black



MATERIAL	Brass   Ceramic   Aluminium
HEIGHT	n/a
WIDTH   DIAMETER	11"
LENGTH   PROJECTION	4"
WEIGHT	1.3 kg   2.8 lbs
LAMPHOLDER	E26
MAX WATTAGE	40W
VOLTAGE	110/120v
ENVIRONMENTAL RATING	Dry Location (IP20)
CLASS PROTECTION	Class I
SHADE	MLCS019
FLEX   BAR   CHAIN LENGTH	n/a
CABLE TYPE	

## FIXING BRACKET: MLWB17 | Matte Black

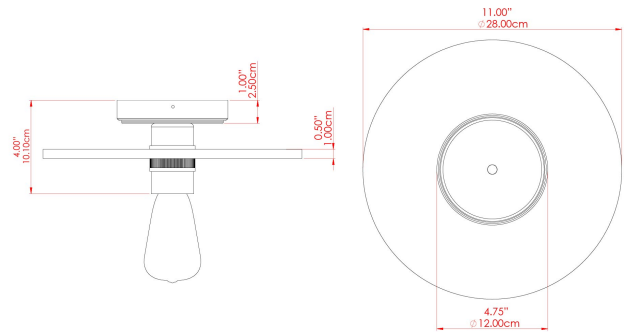


Product Notes:  
 1) Bulbs not included. 2) Dimensions do not include bulbs. 3) All products are individually made-to-order and therefore may differ slightly within manufacturing tolerances. 4) Cable / chain can be shortened during installation. Longer cable / chain lengths available on request. 5) Additional color finishes may be available on request. 6) Twisted cable is not available for UL wired products. Round cable in black or brown only is supplied instead. 7) Refer to our website for a full list of terms and conditions.



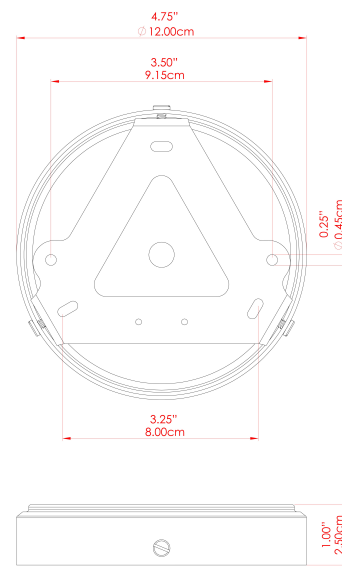
# BOG Ceramic Ceiling Fitting

# MLCMCF016POLBRS Polished Brass



MATERIAL	Brass   Ceramic
HEIGHT	n/a
WIDTH   DIAMETER	11"
LENGTH   PROJECTION	4"
WEIGHT	1.3 kg   2.8 lbs
LAMPHOLDER	E26
MAX WATTAGE	40W
VOLTAGE	110/120v
ENVIRONMENTAL RATING	Dry Location (IP20)
CLASS PROTECTION	Class I
SHADE	MLCS019
FLEX   BAR   CHAIN LENGTH	n/a
CABLE TYPE	

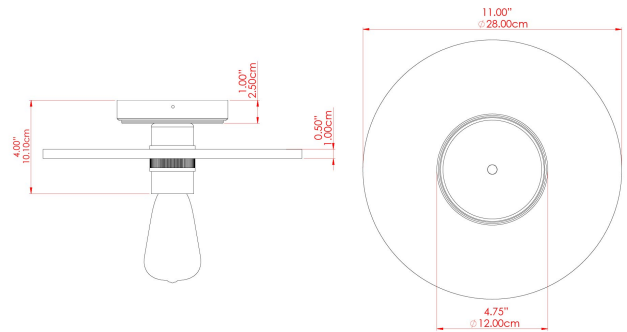
## FIXING BRACKET: MLWB17 | Polished Brass





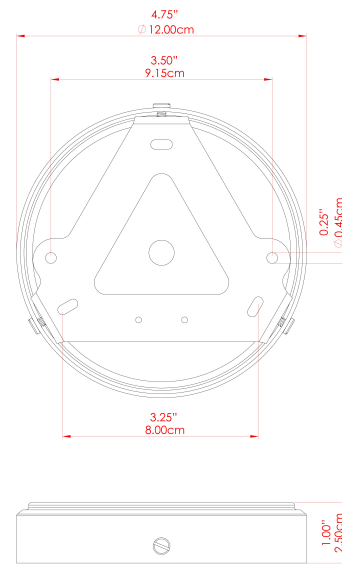
## BOG Ceramic Ceiling Fitting

MLCMCF016POLCOP Polished Copper



MATERIAL	Brass   Ceramic
HEIGHT	n/a
WIDTH   DIAMETER	11"
LENGTH   PROJECTION	4"
WEIGHT	1.3 kg   2.8 lbs
LAMPHOLDER	E26
MAX WATTAGE	40W
VOLTAGE	110/120v
ENVIRONMENTAL RATING	Dry Location (IP20)
CLASS PROTECTION	Class I
SHADE	MLCS019
FLEX   BAR   CHAIN LENGTH	n/a
CABLE TYPE	

### FIXING BRACKET: MLWB17



WWW.MULLANLIGHTING.COM

#### Product Notes:

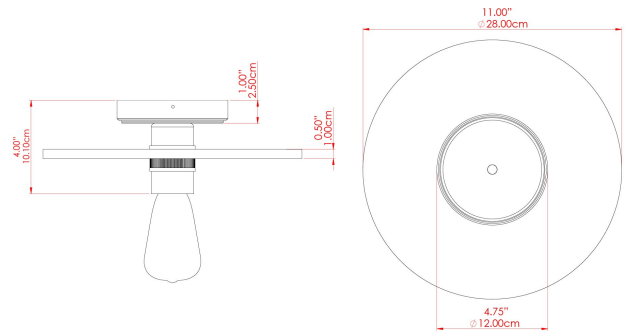
1) Bulbs not included. 2) Dimensions do not include bulbs. 3) All products are individually made-to-order and therefore may differ slightly within manufacturing tolerances. 4) Cable / chain can be shortened during installation. Longer cable / chain lengths available on request. 5) Additional color finishes may be available on request. 6) Twisted cable is not available for UL wired products. Round cable in black or brown only is supplied instead. 7) Refer to our website for a full list of terms and conditions.





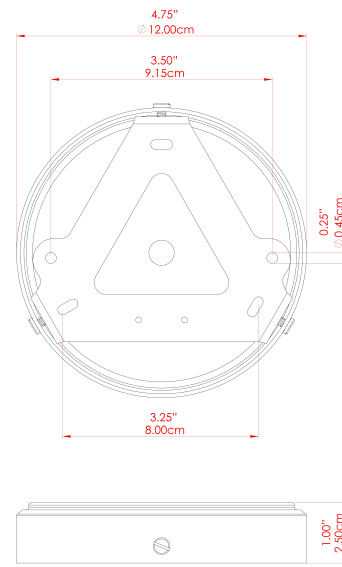
## BOG Ceramic Ceiling Fitting

MLCMCF016SATBRS Satin Brass



MATERIAL	Brass   Ceramic
HEIGHT	n/a
WIDTH   DIAMETER	11"
LENGTH   PROJECTION	4"
WEIGHT	1.3 kg   2.8 lbs
LAMPHOLDER	E26
MAX WATTAGE	40W
VOLTAGE	110/120v
ENVIRONMENTAL RATING	Dry Location (IP20)
CLASS PROTECTION	Class I
SHADE	MLCS019
FLEX   BAR   CHAIN LENGTH	n/a
CABLE TYPE	

### FIXING BRACKET: MLWB17 | Satin Brass



Product Notes:  
 1) Bulbs not included. 2) Dimensions do not include bulbs. 3) All products are individually made-to-order and therefore may differ slightly within manufacturing tolerances. 4) Cable / chain can be shortened during installation. Longer cable / chain lengths available on request. 5) Additional color finishes may be available on request. 6) Twisted cable is not available for UL wired products. Round cable in black or brown only is supplied instead. 7) Refer to our website for a full list of terms and conditions.

