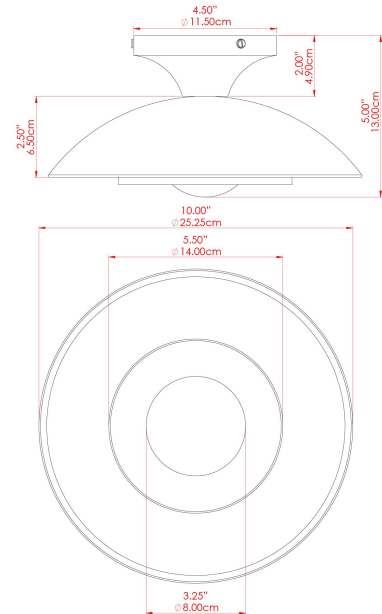




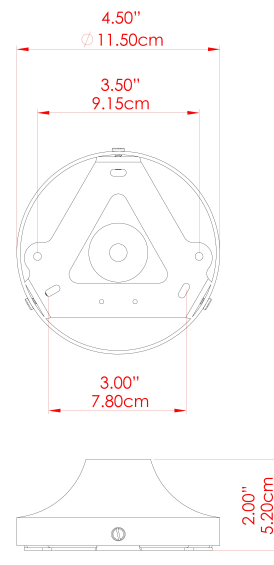
## MARRAKESH Ceiling Light

MLCF122ANTBRSPCMSBFR Antique Brass



MATERIAL	Brass
HEIGHT	6"
WIDTH   DIAMETER	9.75"
LENGTH   PROJECTION	n/a
WEIGHT	1.3 kg   2.8 lbs
LAMPHOLDER	G9
MAX WATTAGE	6.5W
VOLTAGE	110/120v
ENVIRONMENTAL RATING	Dry Location (IP20)
CLASS PROTECTION	Class I
SHADE	GL208
FLEX   BAR   CHAIN LENGTH	n/a
CABLE TYPE	

FIXING BRACKET: MLWB12 | Antique Brass



WWW.MULLANLIGHTING.COM

### Product Notes:

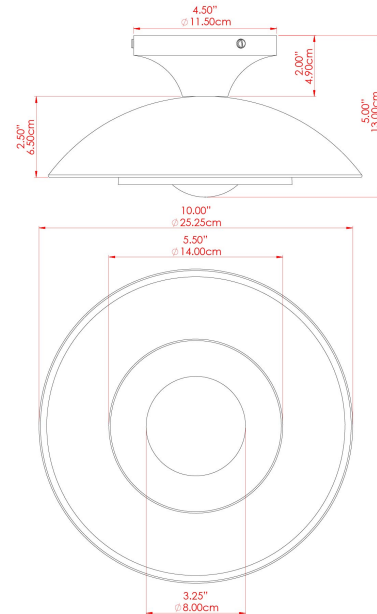
1) Bulbs not included. 2) Dimensions do not include bulbs. 3) All products are individually made-to-order and therefore may differ slightly within manufacturing tolerances. 4) Cable / chain can be shortened during installation. Longer cable / chain lengths available on request. 5) Additional color finishes may be available on request. 6) Twisted cable is not available for UL wired products. Round cable in black or brown only is supplied instead. 7) Refer to our website for a full list of terms and conditions.





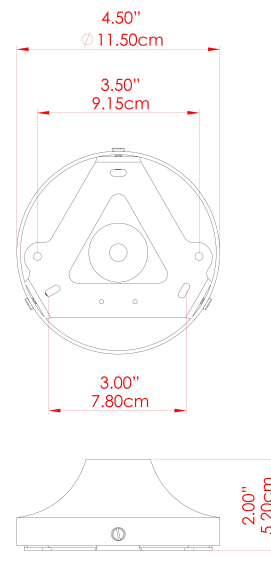
## MARRAKESH Ceiling Light

MLCF122ANTBRSPCMSBCL Antique Brass



MATERIAL	Brass
HEIGHT	6"
WIDTH   DIAMETER	9.75"
LENGTH   PROJECTION	n/a
WEIGHT	1.3 kg   2.8 lbs
LAMPHOLDER	G9
MAX WATTAGE	6.5W
VOLTAGE	110/120v
ENVIRONMENTAL RATING	Dry Location (IP20)
CLASS PROTECTION	Class I
SHADE	GL196
FLEX   BAR   CHAIN LENGTH	n/a
CABLE TYPE	

### FIXING BRACKET: MLWB12 | Antique Brass



WWW.MULLANLIGHTING.COM

#### Product Notes:

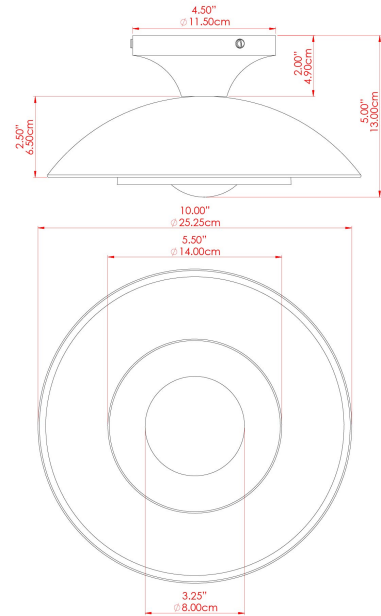
1) Bulbs not included. 2) Dimensions do not include bulbs. 3) All products are individually made-to-order and therefore may differ slightly within manufacturing tolerances. 4) Cable / chain can be shortened during installation. Longer cable / chain lengths available on request. 5) Additional color finishes may be available on request. 6) Twisted cable is not available for UL wired products. Round cable in black or brown only is supplied instead. 7) Refer to our website for a full list of terms and conditions.





# MARRAKESH Ceiling Light

MLCF122ANTBRSPCMSBOP Antique Brass



MATERIAL	Brass
HEIGHT	6"
WIDTH   DIAMETER	9.75"
LENGTH   PROJECTION	n/a
WEIGHT	1.3 kg   2.8 lbs
LAMPHOLDER	G9
MAX WATTAGE	6.5W
VOLTAGE	110/120v
ENVIRONMENTAL RATING	Dry Location (IP20)
CLASS PROTECTION	Class I
SHADE	GL192
FLEX   BAR   CHAIN LENGTH	n/a
CABLE TYPE	

## FIXING BRACKET: MLWB12 | Antique Brass



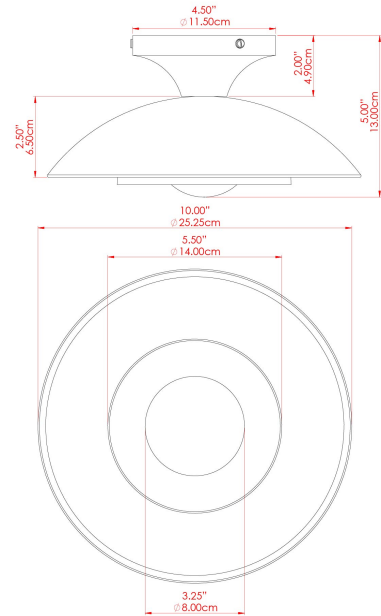
Product Notes:  
 1) Bulbs not included. 2) Dimensions do not include bulbs. 3) All products are individually made-to-order and therefore may differ slightly within manufacturing tolerances. 4) Cable / chain can be shortened during installation. Longer cable / chain lengths available on request. 5) Additional color finishes may be available on request. 6) Twisted cable is not available for UL wired products. Round cable in black or brown only is supplied instead. 7) Refer to our website for a full list of terms and conditions.





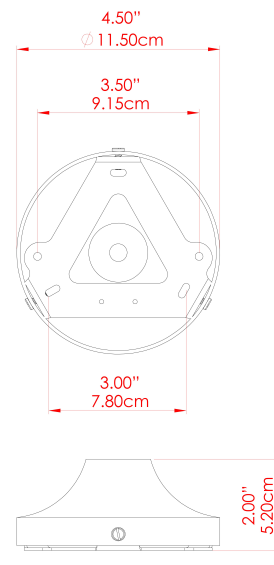
## MARRAKESH Ceiling Light

MLCF122ANTSLVPCMBKFR Antique Silver



MATERIAL	Brass
HEIGHT	6"
WIDTH   DIAMETER	9.75"
LENGTH   PROJECTION	n/a
WEIGHT	1.3 kg   2.8 lbs
LAMPHOLDER	G9
MAX WATTAGE	6.5W
VOLTAGE	110/120v
ENVIRONMENTAL RATING	Dry Location (IP20)
CLASS PROTECTION	Class I
SHADE	GL208
FLEX   BAR   CHAIN LENGTH	n/a
CABLE TYPE	

FIXING BRACKET: MLWB12 | Antique Silver



WWW.MULLANLIGHTING.COM

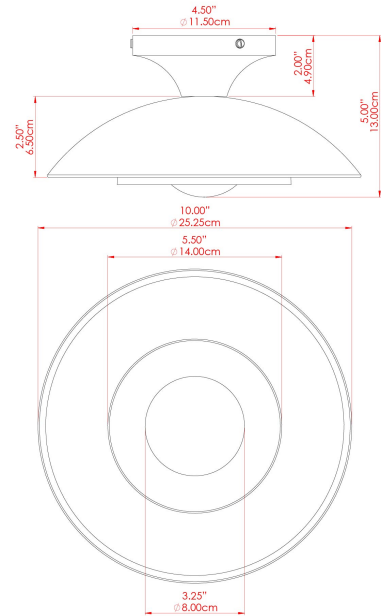
Product Notes:

1) Bulbs not included. 2) Dimensions do not include bulbs. 3) All products are individually made-to-order and therefore may differ slightly within manufacturing tolerances. 4) Cable / chain can be shortened during installation. Longer cable / chain lengths available on request. 5) Additional color finishes may be available on request. 6) Twisted cable is not available for UL wired products. Round cable in black or brown only is supplied instead. 7) Refer to our website for a full list of terms and conditions.



# MARRAKESH Ceiling Light

MLCF122ANTSLVPCMBKCL Antique Silver



MATERIAL	Brass
HEIGHT	6"
WIDTH   DIAMETER	9.75"
LENGTH   PROJECTION	n/a
WEIGHT	1.3 kg   2.8 lbs
LAMPHOLDER	G9
MAX WATTAGE	6.5W
VOLTAGE	110/120v
ENVIRONMENTAL RATING	Dry Location (IP20)
CLASS PROTECTION	Class I
SHADE	GL196
FLEX   BAR   CHAIN LENGTH	n/a
CABLE TYPE	

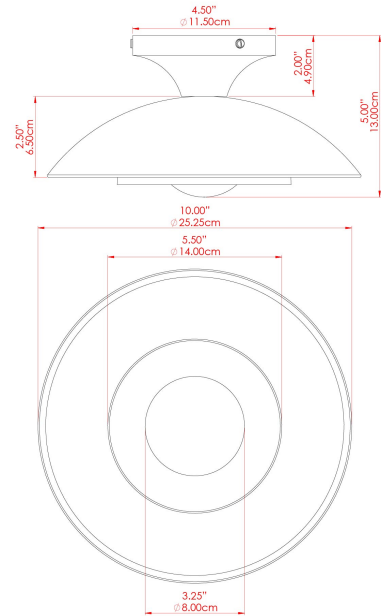
FIXING BRACKET: MLWB12 | Antique Silver





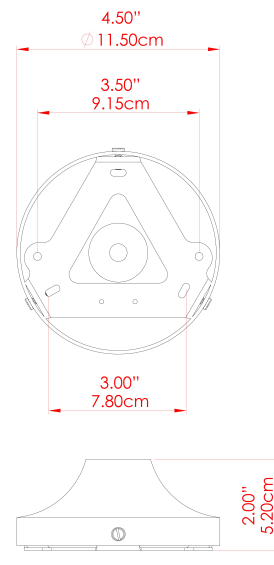
## MARRAKESH Ceiling Light

MLCF122ANTSLVPCMBKOP Antique Silver



MATERIAL	Brass
HEIGHT	6"
WIDTH   DIAMETER	9.75"
LENGTH   PROJECTION	n/a
WEIGHT	1.3 kg   2.8 lbs
LAMPHOLDER	G9
MAX WATTAGE	6.5W
VOLTAGE	110/120v
ENVIRONMENTAL RATING	Dry Location (IP20)
CLASS PROTECTION	Class I
SHADE	GL192
FLEX   BAR   CHAIN LENGTH	n/a
CABLE TYPE	

FIXING BRACKET: MLWB12 | Antique Silver



WWW.MULLANLIGHTING.COM

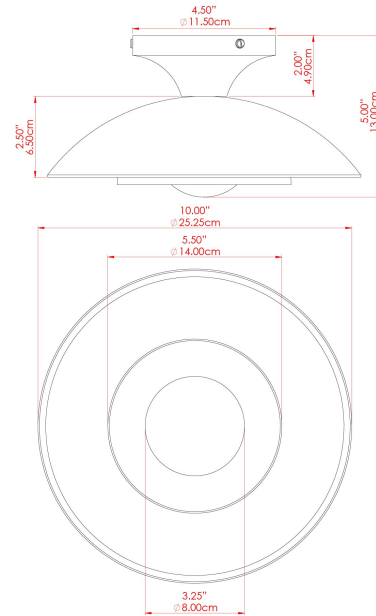
### Product Notes:

1) Bulbs not included. 2) Dimensions do not include bulbs. 3) All products are individually made-to-order and therefore may differ slightly within manufacturing tolerances. 4) Cable / chain can be shortened during installation. Longer cable / chain lengths available on request. 5) Additional color finishes may be available on request. 6) Twisted cable is not available for UL wired products. Round cable in black or brown only is supplied instead. 7) Refer to our website for a full list of terms and conditions.



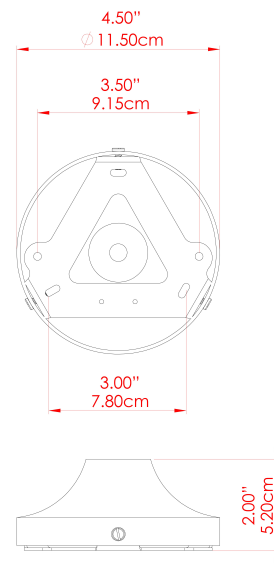
# MARRAKESH Ceiling Light

# MLCF122ANTBRSCl Antique Brass



MATERIAL	Brass
HEIGHT	6"
WIDTH   DIAMETER	9.75"
LENGTH   PROJECTION	n/a
WEIGHT	1.3 kg   2.8 lbs
LAMPHOLDER	G9
MAX WATTAGE	6.5W
VOLTAGE	110/120v
ENVIRONMENTAL RATING	Dry Location (IP20)
CLASS PROTECTION	Class I
SHADE	GL196
FLEX   BAR   CHAIN LENGTH	n/a
CABLE TYPE	

### FIXING BRACKET: MLWB12 | Antique Brass

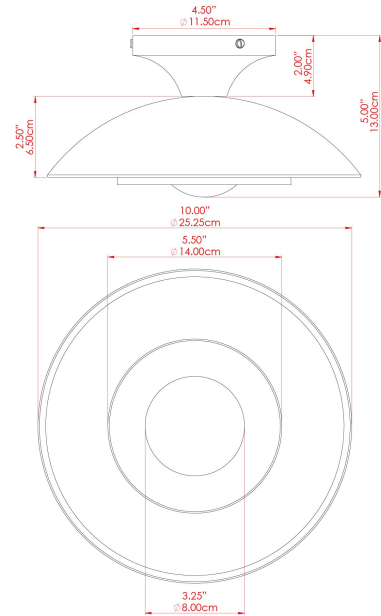


Product Notes:  
 1) Bulbs not included. 2) Dimensions do not include bulbs. 3) All products are individually made-to-order and therefore may differ slightly within manufacturing tolerances. 4) Cable / chain can be shortened during installation. Longer cable / chain lengths available on request. 5) Additional color finishes may be available on request. 6) Twisted cable is not available for UL wired products. Round cable in black or brown only is supplied instead. 7) Refer to our website for a full list of terms and conditions.



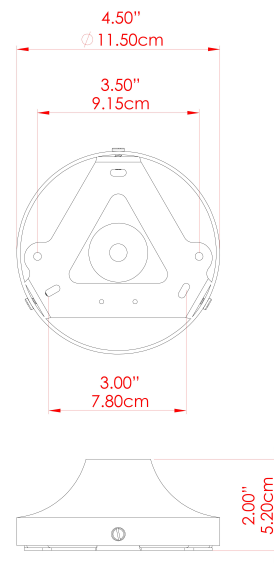
# MARRAKESH Ceiling Light

# MLCF122ANTBRSFR Antique Brass



MATERIAL	Brass
HEIGHT	6"
WIDTH   DIAMETER	9.75"
LENGTH   PROJECTION	n/a
WEIGHT	1.3 kg   2.8 lbs
LAMPHOLDER	G9
MAX WATTAGE	6.5W
VOLTAGE	110/120v
ENVIRONMENTAL RATING	Dry Location (IP20)
CLASS PROTECTION	Class I
SHADE	GL208
FLEX   BAR   CHAIN LENGTH	n/a
CABLE TYPE	

## FIXING BRACKET: MLWB12 | Antique Brass

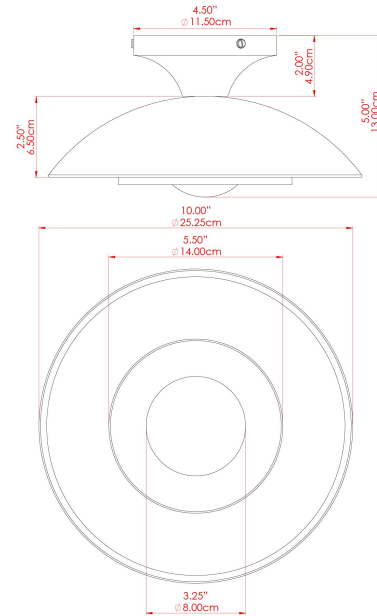


Product Notes:  
 1) Bulbs not included. 2) Dimensions do not include bulbs. 3) All products are individually made-to-order and therefore may differ slightly within manufacturing tolerances. 4) Cable / chain can be shortened during installation. Longer cable / chain lengths available on request. 5) Additional color finishes may be available on request. 6) Twisted cable is not available for UL wired products. Round cable in black or brown only is supplied instead. 7) Refer to our website for a full list of terms and conditions.



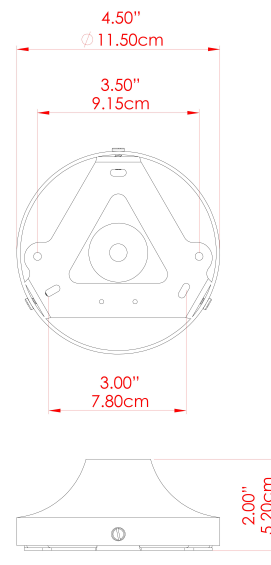
# MARRAKESH Ceiling Light

# MLCF122ANTBRSOP Antique Brass



MATERIAL	Brass
HEIGHT	6"
WIDTH   DIAMETER	9.75"
LENGTH   PROJECTION	n/a
WEIGHT	1.3 kg   2.8 lbs
LAMPHOLDER	G9
MAX WATTAGE	6.5W
VOLTAGE	110/120v
ENVIRONMENTAL RATING	Dry Location (IP20)
CLASS PROTECTION	Class I
SHADE	GL192
FLEX   BAR   CHAIN LENGTH	n/a
CABLE TYPE	

## FIXING BRACKET: MLWB12 | Antique Brass



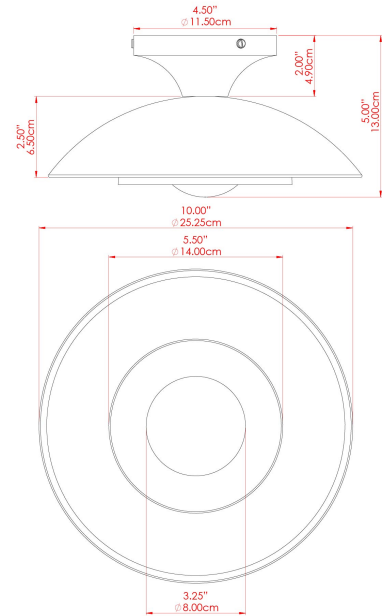
Product Notes:  
 1) Bulbs not included. 2) Dimensions do not include bulbs. 3) All products are individually made-to-order and therefore may differ slightly within manufacturing tolerances. 4) Cable / chain can be shortened during installation. Longer cable / chain lengths available on request. 5) Additional color finishes may be available on request. 6) Twisted cable is not available for UL wired products. Round cable in black or brown only is supplied instead. 7) Refer to our website for a full list of terms and conditions.





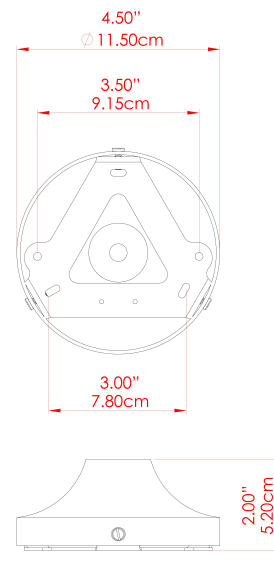
## MARRAKESH Ceiling Light

MLCF122ANTSLVCL Antique Silver



MATERIAL	Brass
HEIGHT	6"
WIDTH   DIAMETER	9.75"
LENGTH   PROJECTION	n/a
WEIGHT	1.3 kg   2.8 lbs
LAMPHOLDER	G9
MAX WATTAGE	6.5W
VOLTAGE	110/120v
ENVIRONMENTAL RATING	Dry Location (IP20)
CLASS PROTECTION	Class I
SHADE	GL196
FLEX   BAR   CHAIN LENGTH	n/a
CABLE TYPE	

FIXING BRACKET: MLWB12 | Antique Silver



WWW.MULLANLIGHTING.COM

Product Notes:

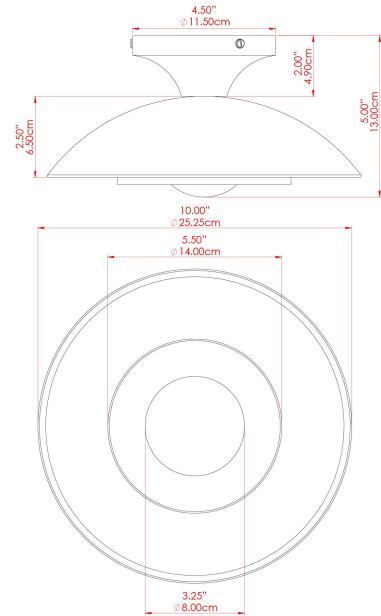
1) Bulbs not included. 2) Dimensions do not include bulbs. 3) All products are individually made-to-order and therefore may differ slightly within manufacturing tolerances. 4) Cable / chain can be shortened during installation. Longer cable / chain lengths available on request. 5) Additional color finishes may be available on request. 6) Twisted cable is not available for UL wired products. Round cable in black or brown only is supplied instead. 7) Refer to our website for a full list of terms and conditions.





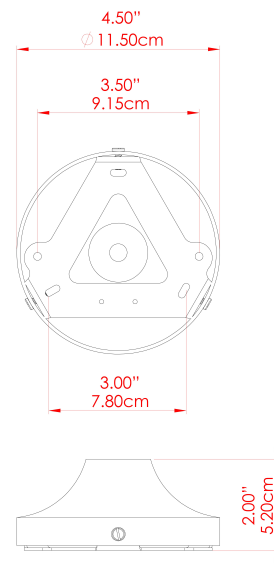
## MARRAKESH Ceiling Light

MLCF122ANTSLVFR Antique Silver



MATERIAL	Brass
HEIGHT	6"
WIDTH   DIAMETER	9.75"
LENGTH   PROJECTION	n/a
WEIGHT	1.3 kg   2.8 lbs
LAMPHOLDER	G9
MAX WATTAGE	6.5W
VOLTAGE	110/120v
ENVIRONMENTAL RATING	Dry Location (IP20)
CLASS PROTECTION	Class I
SHADE	GL208
FLEX   BAR   CHAIN LENGTH	n/a
CABLE TYPE	

FIXING BRACKET: MLWB12 | Antique Silver



WWW.MULLANLIGHTING.COM

Product Notes:

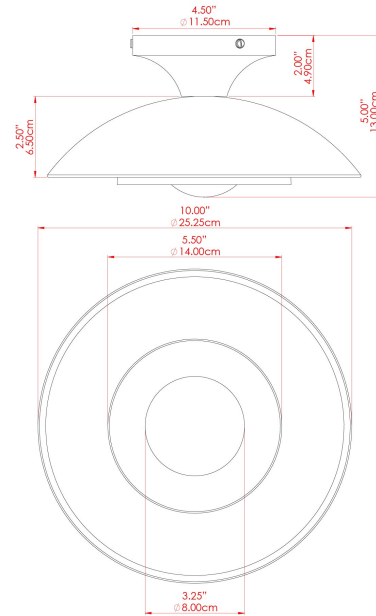
1) Bulbs not included. 2) Dimensions do not include bulbs. 3) All products are individually made-to-order and therefore may differ slightly within manufacturing tolerances. 4) Cable / chain can be shortened during installation. Longer cable / chain lengths available on request. 5) Additional color finishes may be available on request. 6) Twisted cable is not available for UL wired products. Round cable in black or brown only is supplied instead. 7) Refer to our website for a full list of terms and conditions.





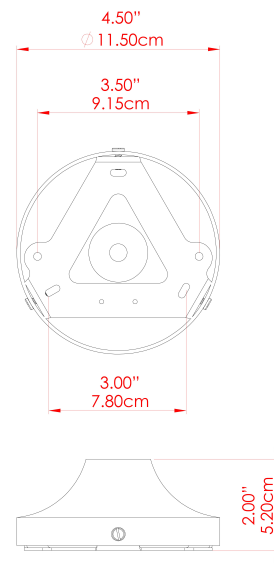
# MARRAKESH Ceiling Light

# MLCF122ANTSLVOP Antique Silver



MATERIAL	Brass
HEIGHT	6"
WIDTH   DIAMETER	9.75"
LENGTH   PROJECTION	n/a
WEIGHT	1.3 kg   2.8 lbs
LAMPHOLDER	G9
MAX WATTAGE	6.5W
VOLTAGE	110/120v
ENVIRONMENTAL RATING	Dry Location (IP20)
CLASS PROTECTION	Class I
SHADE	GL192
FLEX   BAR   CHAIN LENGTH	n/a
CABLE TYPE	

## FIXING BRACKET: MLWB12 | Antique Silver

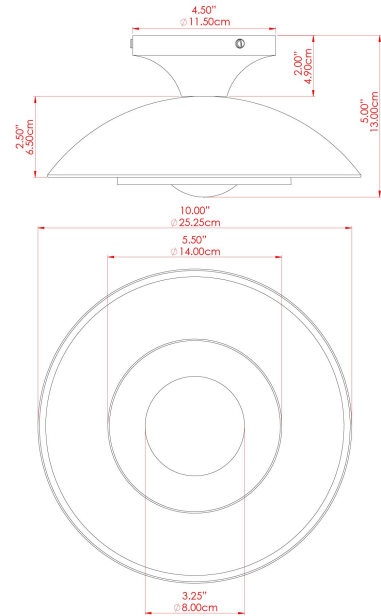


Product Notes:  
 1) Bulbs not included. 2) Dimensions do not include bulbs. 3) All products are individually made-to-order and therefore may differ slightly within manufacturing tolerances. 4) Cable / chain can be shortened during installation. Longer cable / chain lengths available on request. 5) Additional color finishes may be available on request. 6) Twisted cable is not available for UL wired products. Round cable in black or brown only is supplied instead. 7) Refer to our website for a full list of terms and conditions.



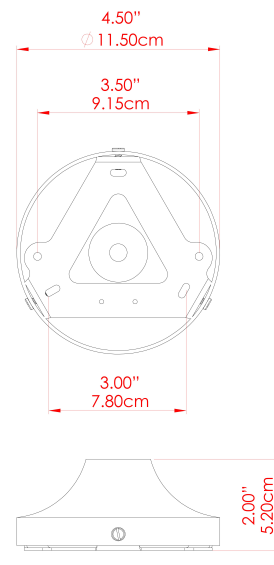
# MARRAKESH Ceiling Light

# MLCF122POLBRSCS Polished Brass



MATERIAL	Brass
HEIGHT	6"
WIDTH   DIAMETER	9.75"
LENGTH   PROJECTION	n/a
WEIGHT	1.3 kg   2.8 lbs
LAMPHOLDER	G9
MAX WATTAGE	6.5W
VOLTAGE	110/120v
ENVIRONMENTAL RATING	Dry Location (IP20)
CLASS PROTECTION	Class I
SHADE	GL196
FLEX   BAR   CHAIN LENGTH	n/a
CABLE TYPE	

## FIXING BRACKET: MLWB12 | Polished Brass

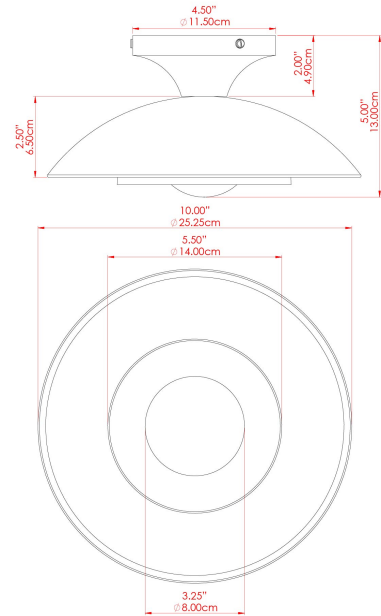


Product Notes:  
 1) Bulbs not included. 2) Dimensions do not include bulbs. 3) All products are individually made-to-order and therefore may differ slightly within manufacturing tolerances. 4) Cable / chain can be shortened during installation. Longer cable / chain lengths available on request. 5) Additional color finishes may be available on request. 6) Twisted cable is not available for UL wired products. Round cable in black or brown only is supplied instead. 7) Refer to our website for a full list of terms and conditions.



# MARRAKESH Ceiling Light

# MLCF122POLBRSFR Polished Brass



MATERIAL	Brass
HEIGHT	6"
WIDTH   DIAMETER	9.75"
LENGTH   PROJECTION	n/a
WEIGHT	1.3 kg   2.8 lbs
LAMPHOLDER	G9
MAX WATTAGE	6.5W
VOLTAGE	110/120v
ENVIRONMENTAL RATING	Dry Location (IP20)
CLASS PROTECTION	Class I
SHADE	GL208
FLEX   BAR   CHAIN LENGTH	n/a
CABLE TYPE	

## FIXING BRACKET: MLWB12 | Polished Brass



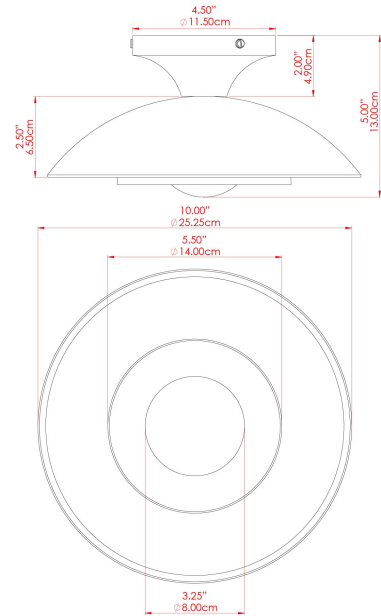
Product Notes:  
 1) Bulbs not included. 2) Dimensions do not include bulbs. 3) All products are individually made-to-order and therefore may differ slightly within manufacturing tolerances. 4) Cable / chain can be shortened during installation. Longer cable / chain lengths available on request. 5) Additional color finishes may be available on request. 6) Twisted cable is not available for UL wired products. Round cable in black or brown only is supplied instead. 7) Refer to our website for a full list of terms and conditions.





# MARRAKESH Ceiling Light

MLCF122POLBRSOP Polished Brass



MATERIAL	Brass
HEIGHT	6"
WIDTH   DIAMETER	9.75"
LENGTH   PROJECTION	n/a
WEIGHT	1.3 kg   2.8 lbs
LAMPHOLDER	G9
MAX WATTAGE	6.5W
VOLTAGE	110/120v
ENVIRONMENTAL RATING	Dry Location (IP20)
CLASS PROTECTION	Class I
SHADE	GL192
FLEX   BAR   CHAIN LENGTH	n/a
CABLE TYPE	

## FIXING BRACKET: MLWB12 | Polished Brass



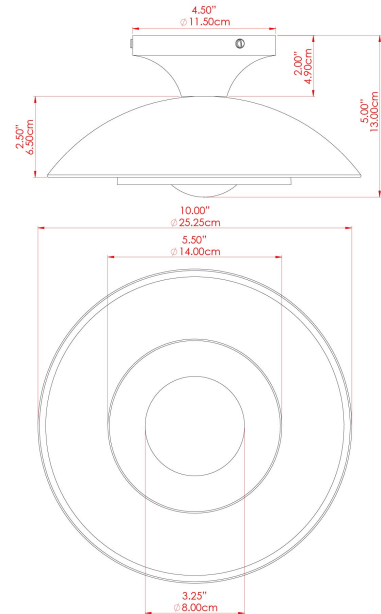
Product Notes:  
 1) Bulbs not included. 2) Dimensions do not include bulbs. 3) All products are individually made-to-order and therefore may differ slightly within manufacturing tolerances. 4) Cable / chain can be shortened during installation. Longer cable / chain lengths available on request. 5) Additional color finishes may be available on request. 6) Twisted cable is not available for UL wired products. Round cable in black or brown only is supplied instead. 7) Refer to our website for a full list of terms and conditions.





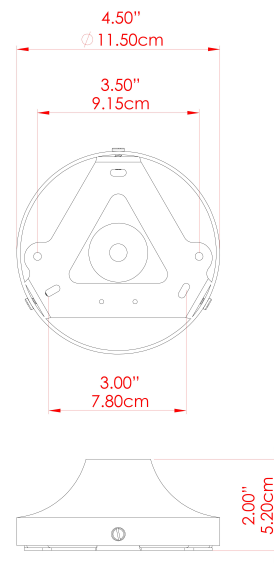
## MARRAKESH Ceiling Light

MLCF122PCRGRCL Racing Green



MATERIAL	Brass
HEIGHT	6"
WIDTH   DIAMETER	9.75"
LENGTH   PROJECTION	n/a
WEIGHT	1.3 kg   2.8 lbs
LAMPHOLDER	G9
MAX WATTAGE	6.5W
VOLTAGE	110/120v
ENVIRONMENTAL RATING	Dry Location (IP20)
CLASS PROTECTION	Class I
SHADE	GL196
FLEX   BAR   CHAIN LENGTH	n/a
CABLE TYPE	

FIXING BRACKET: MLWB12 | Racing Green



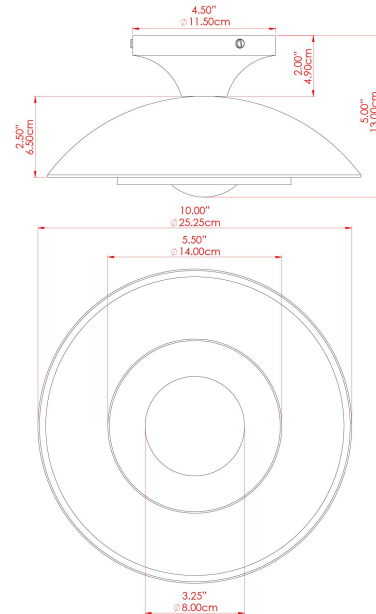
Product Notes:  
1) Bulbs not included. 2) Dimensions do not include bulbs. 3) All products are individually made-to-order and therefore may differ slightly within manufacturing tolerances. 4) Cable / chain can be shortened during installation. Longer cable / chain lengths available on request. 5) Additional color finishes may be available on request. 6) Twisted cable is not available for UL wired products. Round cable in black or brown only is supplied instead. 7) Refer to our website for a full list of terms and conditions.





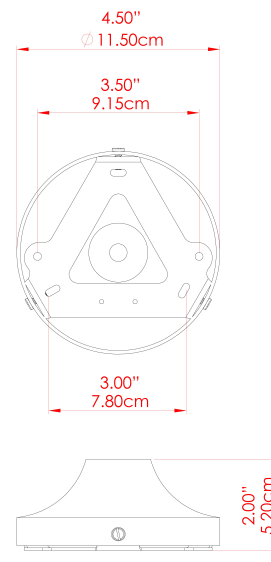
## MARRAKESH Ceiling Light

MLCF122PCRGRFR Racing Green



MATERIAL	Brass
HEIGHT	6"
WIDTH   DIAMETER	9.75"
LENGTH   PROJECTION	n/a
WEIGHT	1.3 kg   2.8 lbs
LAMPHOLDER	G9
MAX WATTAGE	6.5W
VOLTAGE	110/120v
ENVIRONMENTAL RATING	Dry Location (IP20)
CLASS PROTECTION	Class I
SHADE	GL208
FLEX   BAR   CHAIN LENGTH	n/a
CABLE TYPE	

FIXING BRACKET: MLWB12 | Racing Green



WWW.MULLANLIGHTING.COM

**Product Notes:**

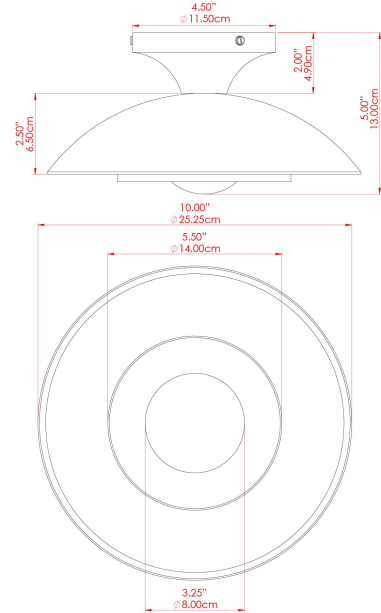
1) Bulbs not included. 2) Dimensions do not include bulbs. 3) All products are individually made-to-order and therefore may differ slightly within manufacturing tolerances. 4) Cable / chain can be shortened during installation. Longer cable / chain lengths available on request. 5) Additional color finishes may be available on request. 6) Twisted cable is not available for UL wired products. Round cable in black or brown only is supplied instead. 7) Refer to our website for a full list of terms and conditions.





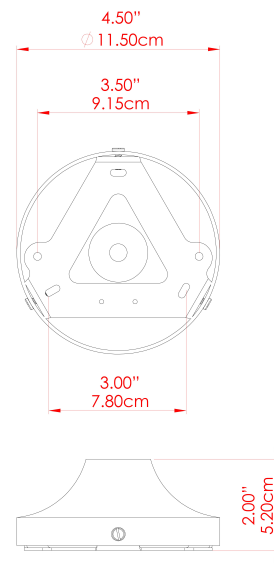
# MARRAKESH Ceiling Light

# MLCF122PCRGROP Racing Green



MATERIAL	Brass
HEIGHT	6"
WIDTH   DIAMETER	9.75"
LENGTH   PROJECTION	n/a
WEIGHT	1.3 kg   2.8 lbs
LAMPHOLDER	G9
MAX WATTAGE	6.5W
VOLTAGE	110/120v
ENVIRONMENTAL RATING	Dry Location (IP20)
CLASS PROTECTION	Class I
SHADE	GL192
FLEX   BAR   CHAIN LENGTH	n/a
CABLE TYPE	

## FIXING BRACKET: MLWB12 | Racing Green

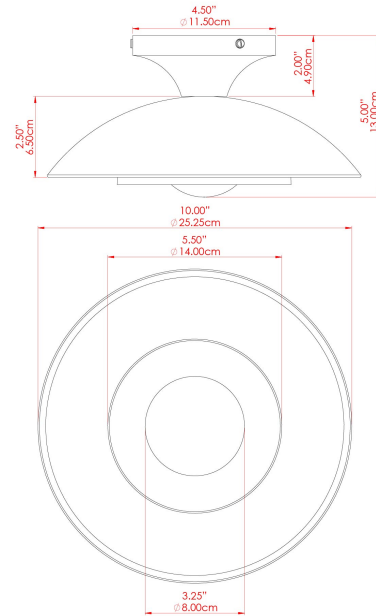


Product Notes:  
 1) Bulbs not included. 2) Dimensions do not include bulbs. 3) All products are individually made-to-order and therefore may differ slightly within manufacturing tolerances. 4) Cable / chain can be shortened during installation. Longer cable / chain lengths available on request. 5) Additional color finishes may be available on request. 6) Twisted cable is not available for UL wired products. Round cable in black or brown only is supplied instead. 7) Refer to our website for a full list of terms and conditions.



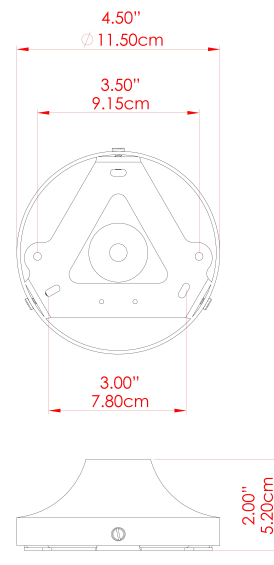
# MARRAKESH Ceiling Light

MLCF122PCMSBCL



MATERIAL	Brass
HEIGHT	6"
WIDTH   DIAMETER	9.75"
LENGTH   PROJECTION	n/a
WEIGHT	1.3 kg   2.8 lbs
LAMPHOLDER	G9
MAX WATTAGE	6.5W
VOLTAGE	110/120v
ENVIRONMENTAL RATING	Dry Location (IP20)
CLASS PROTECTION	Class I
SHADE	GL196
FLEX   BAR   CHAIN LENGTH	n/a
CABLE TYPE	

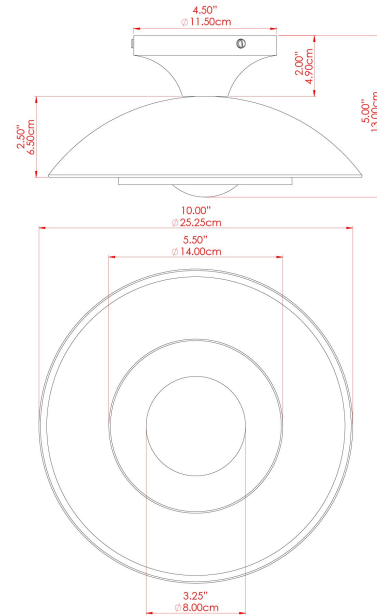
## FIXING BRACKET: MLWB12 | Sapphire Blue





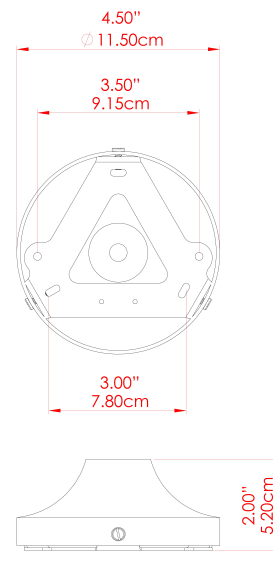
## MARRAKESH Ceiling Light

MLCF122PCMSBFR



MATERIAL	Brass
HEIGHT	6"
WIDTH   DIAMETER	9.75"
LENGTH   PROJECTION	n/a
WEIGHT	1.3 kg   2.8 lbs
LAMPHOLDER	G9
MAX WATTAGE	6.5W
VOLTAGE	110/120v
ENVIRONMENTAL RATING	Dry Location (IP20)
CLASS PROTECTION	Class I
SHADE	GL208
FLEX   BAR   CHAIN LENGTH	n/a
CABLE TYPE	

FIXING BRACKET: MLWB12 | Sapphire Blue



WWW.MULLANLIGHTING.COM

**Product Notes:**

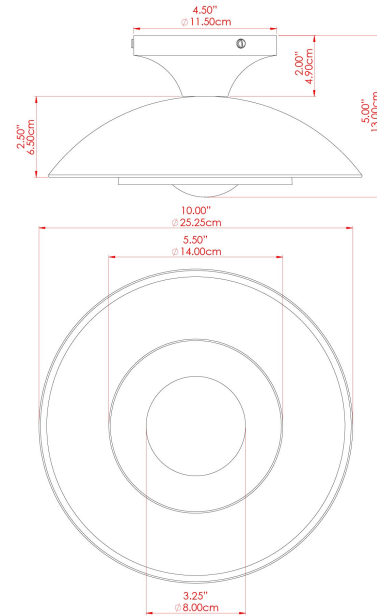
1) Bulbs not included. 2) Dimensions do not include bulbs. 3) All products are individually made-to-order and therefore may differ slightly within manufacturing tolerances. 4) Cable / chain can be shortened during installation. Longer cable / chain lengths available on request. 5) Additional color finishes may be available on request. 6) Twisted cable is not available for UL wired products. Round cable in black or brown only is supplied instead. 7) Refer to our website for a full list of terms and conditions.





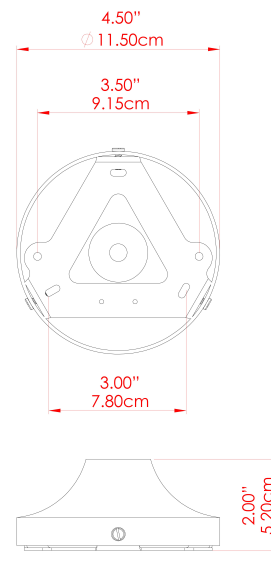
## MARRAKESH Ceiling Light

MLCF122PCMSBOP



MATERIAL	Brass
HEIGHT	6"
WIDTH   DIAMETER	9.75"
LENGTH   PROJECTION	n/a
WEIGHT	1.3 kg   2.8 lbs
LAMPHOLDER	G9
MAX WATTAGE	6.5W
VOLTAGE	110/120v
ENVIRONMENTAL RATING	Dry Location (IP20)
CLASS PROTECTION	Class I
SHADE	GL192
FLEX   BAR   CHAIN LENGTH	n/a
CABLE TYPE	

FIXING BRACKET: MLWB12 | Sapphire Blue



WWW.MULLANLIGHTING.COM

**Product Notes:**

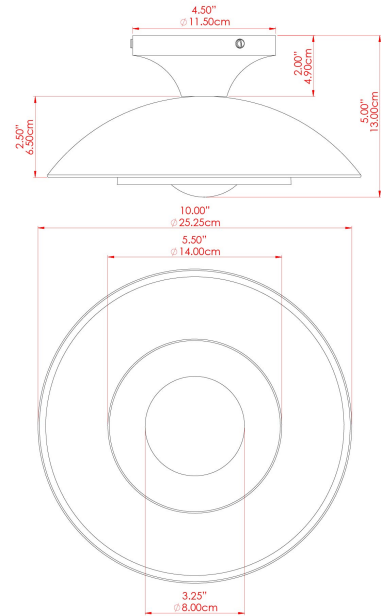
1) Bulbs not included. 2) Dimensions do not include bulbs. 3) All products are individually made-to-order and therefore may differ slightly within manufacturing tolerances. 4) Cable / chain can be shortened during installation. Longer cable / chain lengths available on request. 5) Additional color finishes may be available on request. 6) Twisted cable is not available for UL wired products. Round cable in black or brown only is supplied instead. 7) Refer to our website for a full list of terms and conditions.





# MARRAKESH Ceiling Light

MLCF122SATBRSPCMAPCL Satin Brass



MATERIAL	Brass
HEIGHT	6"
WIDTH   DIAMETER	9.75"
LENGTH   PROJECTION	n/a
WEIGHT	1.3 kg   2.8 lbs
LAMPHOLDER	G9
MAX WATTAGE	6.5W
VOLTAGE	110/120v
ENVIRONMENTAL RATING	Dry Location (IP20)
CLASS PROTECTION	Class I
SHADE	GL196
FLEX   BAR   CHAIN LENGTH	n/a
CABLE TYPE	

## FIXING BRACKET: MLWB12 | Satin Brass



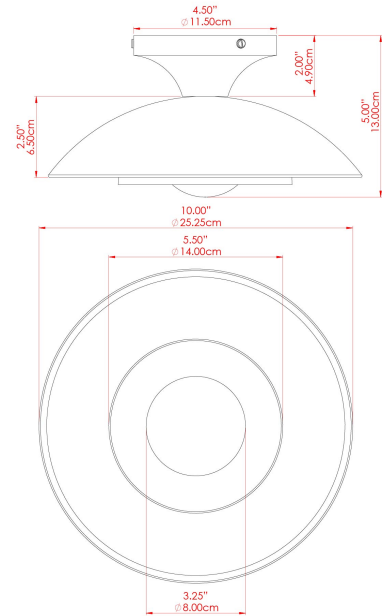
Product Notes:  
 1) Bulbs not included. 2) Dimensions do not include bulbs. 3) All products are individually made-to-order and therefore may differ slightly within manufacturing tolerances. 4) Cable / chain can be shortened during installation. Longer cable / chain lengths available on request. 5) Additional color finishes may be available on request. 6) Twisted cable is not available for UL wired products. Round cable in black or brown only is supplied instead. 7) Refer to our website for a full list of terms and conditions.





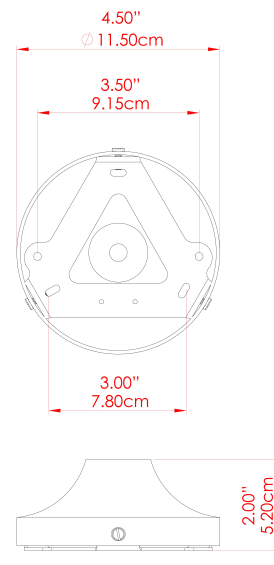
## MARRAKESH Ceiling Light

MLCF122SATBRSPCMAPFR Satin Brass



MATERIAL	Brass
HEIGHT	6"
WIDTH   DIAMETER	9.75"
LENGTH   PROJECTION	n/a
WEIGHT	1.3 kg   2.8 lbs
LAMPHOLDER	G9
MAX WATTAGE	6.5W
VOLTAGE	110/120v
ENVIRONMENTAL RATING	Dry Location (IP20)
CLASS PROTECTION	Class I
SHADE	GL208
FLEX   BAR   CHAIN LENGTH	n/a
CABLE TYPE	

### FIXING BRACKET: MLWB12 | Satin Brass



WWW.MULLANLIGHTING.COM

#### Product Notes:

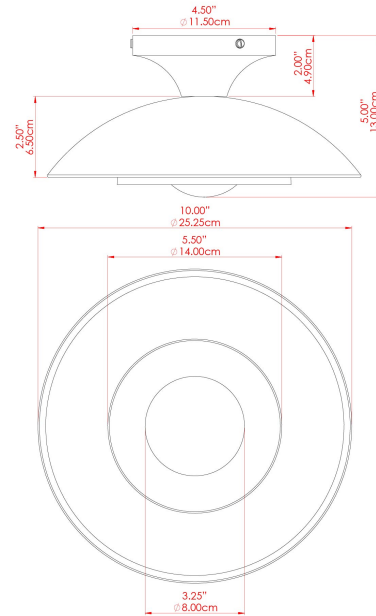
1) Bulbs not included. 2) Dimensions do not include bulbs. 3) All products are individually made-to-order and therefore may differ slightly within manufacturing tolerances. 4) Cable / chain can be shortened during installation. Longer cable / chain lengths available on request. 5) Additional color finishes may be available on request. 6) Twisted cable is not available for UL wired products. Round cable in black or brown only is supplied instead. 7) Refer to our website for a full list of terms and conditions.





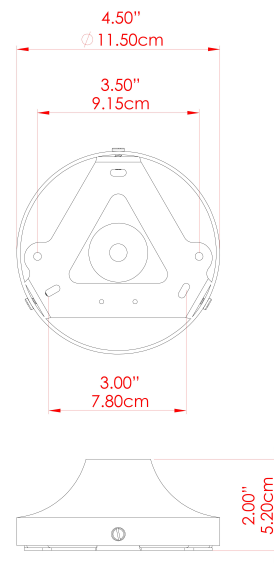
# MARRAKESH Ceiling Light

MLCF122SATBRSPCMAPOP Satin Brass



MATERIAL	Brass
HEIGHT	6"
WIDTH   DIAMETER	9.75"
LENGTH   PROJECTION	n/a
WEIGHT	1.3 kg   2.8 lbs
LAMPHOLDER	G9
MAX WATTAGE	6.5W
VOLTAGE	110/120v
ENVIRONMENTAL RATING	Dry Location (IP20)
CLASS PROTECTION	Class I
SHADE	GL192
FLEX   BAR   CHAIN LENGTH	n/a
CABLE TYPE	

## FIXING BRACKET: MLWB12 | Satin Brass



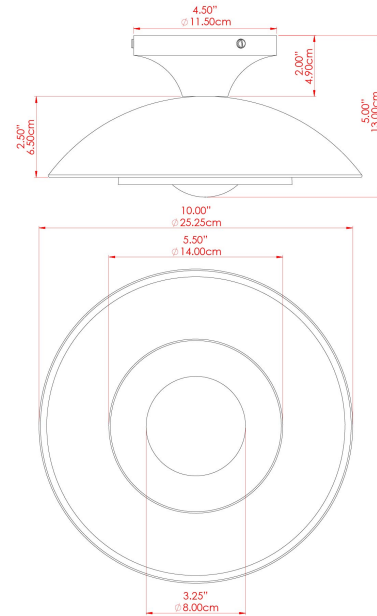
Product Notes:  
 1) Bulbs not included. 2) Dimensions do not include bulbs. 3) All products are individually made-to-order and therefore may differ slightly within manufacturing tolerances. 4) Cable / chain can be shortened during installation. Longer cable / chain lengths available on request. 5) Additional color finishes may be available on request. 6) Twisted cable is not available for UL wired products. Round cable in black or brown only is supplied instead. 7) Refer to our website for a full list of terms and conditions.





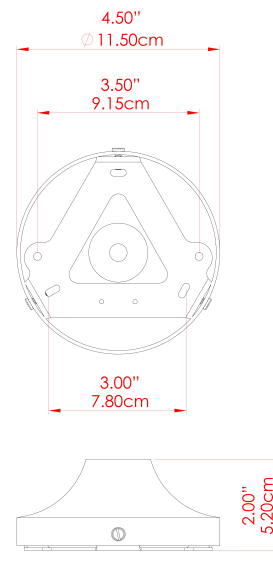
## MARRAKESH Ceiling Light

MLCF122SATBRSPCRGRFR Satin Brass



MATERIAL	Brass
HEIGHT	6"
WIDTH   DIAMETER	9.75"
LENGTH   PROJECTION	n/a
WEIGHT	1.3 kg   2.8 lbs
LAMPHOLDER	G9
MAX WATTAGE	6.5W
VOLTAGE	110/120v
ENVIRONMENTAL RATING	Dry Location (IP20)
CLASS PROTECTION	Class I
SHADE	GL208
FLEX   BAR   CHAIN LENGTH	n/a
CABLE TYPE	

FIXING BRACKET: MLWB12 | Satin Brass



WWW.MULLANLIGHTING.COM

### Product Notes:

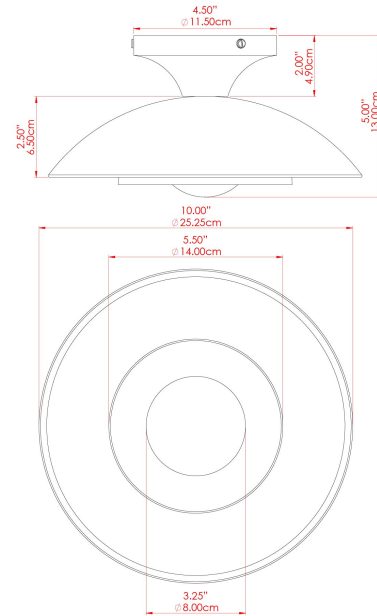
1) Bulbs not included. 2) Dimensions do not include bulbs. 3) All products are individually made-to-order and therefore may differ slightly within manufacturing tolerances. 4) Cable / chain can be shortened during installation. Longer cable / chain lengths available on request. 5) Additional color finishes may be available on request. 6) Twisted cable is not available for UL wired products. Round cable in black or brown only is supplied instead. 7) Refer to our website for a full list of terms and conditions.





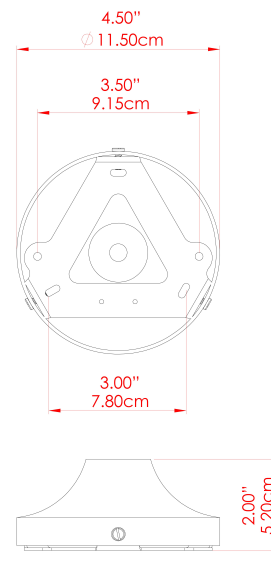
## MARRAKESH Ceiling Light

MLCF122SATBRSPCRGRCL Satin Brass



MATERIAL	Brass
HEIGHT	6"
WIDTH   DIAMETER	9.75"
LENGTH   PROJECTION	n/a
WEIGHT	1.3 kg   2.8 lbs
LAMPHOLDER	G9
MAX WATTAGE	6.5W
VOLTAGE	110/120v
ENVIRONMENTAL RATING	Dry Location (IP20)
CLASS PROTECTION	Class I
SHADE	GL196
FLEX   BAR   CHAIN LENGTH	n/a
CABLE TYPE	

FIXING BRACKET: MLWB12 | Satin Brass



WWW.MULLANLIGHTING.COM

### Product Notes:

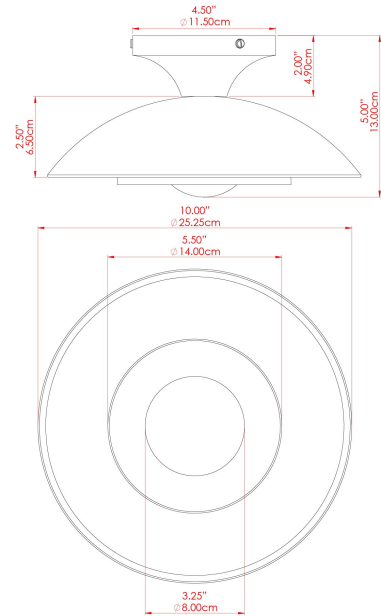
1) Bulbs not included. 2) Dimensions do not include bulbs. 3) All products are individually made-to-order and therefore may differ slightly within manufacturing tolerances. 4) Cable / chain can be shortened during installation. Longer cable / chain lengths available on request. 5) Additional color finishes may be available on request. 6) Twisted cable is not available for UL wired products. Round cable in black or brown only is supplied instead. 7) Refer to our website for a full list of terms and conditions.





## MARRAKESH Ceiling Light

MLCF122SATBRSPCMSBOP Satin Brass



MATERIAL	Brass
HEIGHT	6"
WIDTH   DIAMETER	9.75"
LENGTH   PROJECTION	n/a
WEIGHT	1.3 kg   2.8 lbs
LAMPHOLDER	G9
MAX WATTAGE	6.5W
VOLTAGE	110/120v
ENVIRONMENTAL RATING	Dry Location (IP20)
CLASS PROTECTION	Class I
SHADE	GL192
FLEX   BAR   CHAIN LENGTH	n/a
CABLE TYPE	

FIXING BRACKET: MLWB12 | Satin Brass



**Product Notes:**

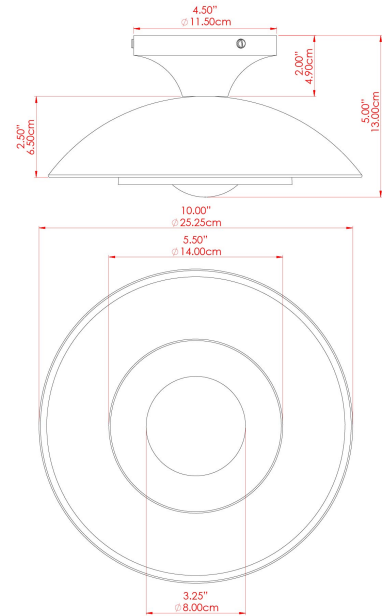
1) Bulbs not included. 2) Dimensions do not include bulbs. 3) All products are individually made-to-order and therefore may differ slightly within manufacturing tolerances. 4) Cable / chain can be shortened during installation. Longer cable / chain lengths available on request. 5) Additional color finishes may be available on request. 6) Twisted cable is not available for UL wired products. Round cable in black or brown only is supplied instead. 7) Refer to our website for a full list of terms and conditions.





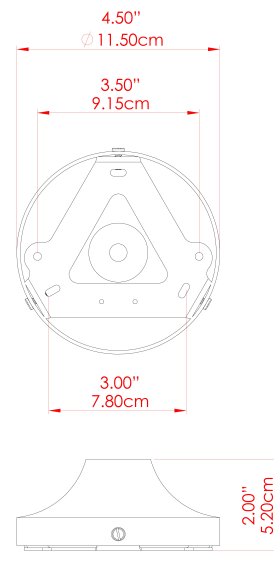
## MARRAKESH Ceiling Light

MLCF122SATBRSPCMHYCL Satin Brass



MATERIAL	Brass
HEIGHT	6"
WIDTH   DIAMETER	9.75"
LENGTH   PROJECTION	n/a
WEIGHT	1.3 kg   2.8 lbs
LAMPHOLDER	G9
MAX WATTAGE	6.5W
VOLTAGE	110/120v
ENVIRONMENTAL RATING	Dry Location (IP20)
CLASS PROTECTION	Class I
SHADE	GL196
FLEX   BAR   CHAIN LENGTH	n/a
CABLE TYPE	

FIXING BRACKET: MLWB12 | Satin Brass



WWW.MULLANLIGHTING.COM

### Product Notes:

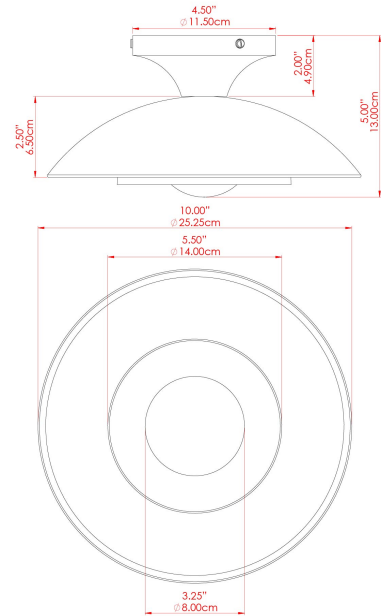
1) Bulbs not included. 2) Dimensions do not include bulbs. 3) All products are individually made-to-order and therefore may differ slightly within manufacturing tolerances. 4) Cable / chain can be shortened during installation. Longer cable / chain lengths available on request. 5) Additional color finishes may be available on request. 6) Twisted cable is not available for UL wired products. Round cable in black or brown only is supplied instead. 7) Refer to our website for a full list of terms and conditions.





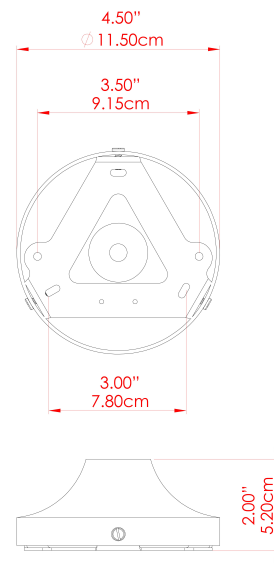
## MARRAKESH Ceiling Light

MLCF122SATBRSPCMHYFR Satin Brass



MATERIAL	Brass
HEIGHT	6"
WIDTH   DIAMETER	9.75"
LENGTH   PROJECTION	n/a
WEIGHT	1.3 kg   2.8 lbs
LAMPHOLDER	G9
MAX WATTAGE	6.5W
VOLTAGE	110/120v
ENVIRONMENTAL RATING	Dry Location (IP20)
CLASS PROTECTION	Class I
SHADE	GL208
FLEX   BAR   CHAIN LENGTH	n/a
CABLE TYPE	

FIXING BRACKET: MLWB12 | Satin Brass



**Product Notes:**

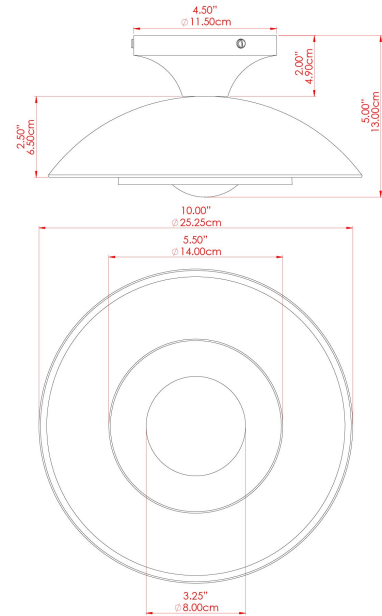
1) Bulbs not included. 2) Dimensions do not include bulbs. 3) All products are individually made-to-order and therefore may differ slightly within manufacturing tolerances. 4) Cable / chain can be shortened during installation. Longer cable / chain lengths available on request. 5) Additional color finishes may be available on request. 6) Twisted cable is not available for UL wired products. Round cable in black or brown only is supplied instead. 7) Refer to our website for a full list of terms and conditions.





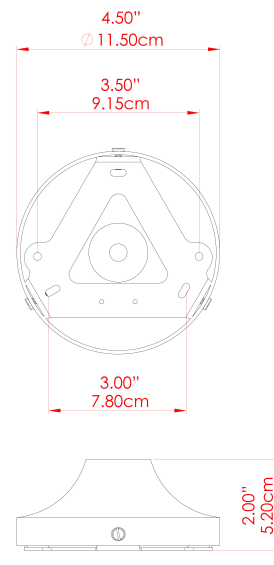
## MARRAKESH Ceiling Light

MLCF122SATBRSPCMHYOP Satin Brass



MATERIAL	Brass
HEIGHT	6"
WIDTH   DIAMETER	9.75"
LENGTH   PROJECTION	n/a
WEIGHT	1.3 kg   2.8 lbs
LAMPHOLDER	G9
MAX WATTAGE	6.5W
VOLTAGE	110/120v
ENVIRONMENTAL RATING	Dry Location (IP20)
CLASS PROTECTION	Class I
SHADE	GL192
FLEX   BAR   CHAIN LENGTH	n/a
CABLE TYPE	

FIXING BRACKET: MLWB12 | Satin Brass



WWW.MULLANLIGHTING.COM

### Product Notes:

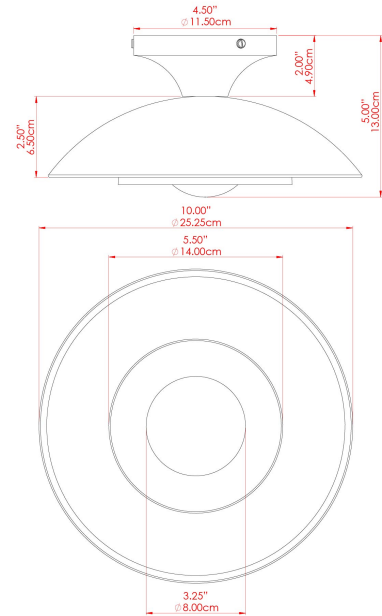
1) Bulbs not included. 2) Dimensions do not include bulbs. 3) All products are individually made-to-order and therefore may differ slightly within manufacturing tolerances. 4) Cable / chain can be shortened during installation. Longer cable / chain lengths available on request. 5) Additional color finishes may be available on request. 6) Twisted cable is not available for UL wired products. Round cable in black or brown only is supplied instead. 7) Refer to our website for a full list of terms and conditions.





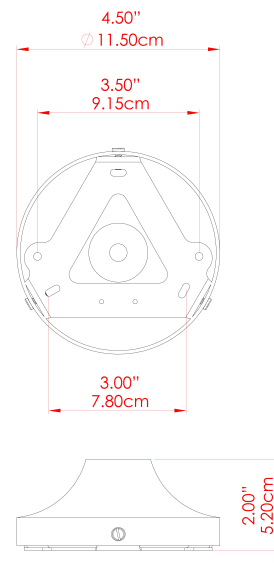
## MARRAKESH Ceiling Light

MLCF122SATBRSPCMSBCL Satin Brass



MATERIAL	Brass
HEIGHT	6"
WIDTH   DIAMETER	9.75"
LENGTH   PROJECTION	n/a
WEIGHT	1.3 kg   2.8 lbs
LAMPHOLDER	G9
MAX WATTAGE	6.5W
VOLTAGE	110/120v
ENVIRONMENTAL RATING	Dry Location (IP20)
CLASS PROTECTION	Class I
SHADE	GL196
FLEX   BAR   CHAIN LENGTH	n/a
CABLE TYPE	

FIXING BRACKET: MLWB12 | Satin Brass



WWW.MULLANLIGHTING.COM

### Product Notes:

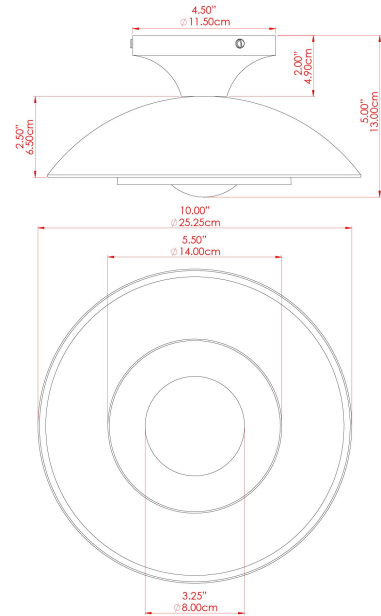
1) Bulbs not included. 2) Dimensions do not include bulbs. 3) All products are individually made-to-order and therefore may differ slightly within manufacturing tolerances. 4) Cable / chain can be shortened during installation. Longer cable / chain lengths available on request. 5) Additional color finishes may be available on request. 6) Twisted cable is not available for UL wired products. Round cable in black or brown only is supplied instead. 7) Refer to our website for a full list of terms and conditions.





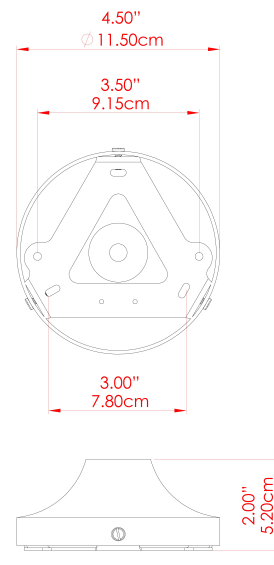
## MARRAKESH Ceiling Light

MLCF122SATBRSPCMSBFR Satin Brass



MATERIAL	Brass
HEIGHT	6"
WIDTH   DIAMETER	9.75"
LENGTH   PROJECTION	n/a
WEIGHT	1.3 kg   2.8 lbs
LAMPHOLDER	G9
MAX WATTAGE	6.5W
VOLTAGE	110/120v
ENVIRONMENTAL RATING	Dry Location (IP20)
CLASS PROTECTION	Class I
SHADE	GL208
FLEX   BAR   CHAIN LENGTH	n/a
CABLE TYPE	

FIXING BRACKET: MLWB12 | Satin Brass



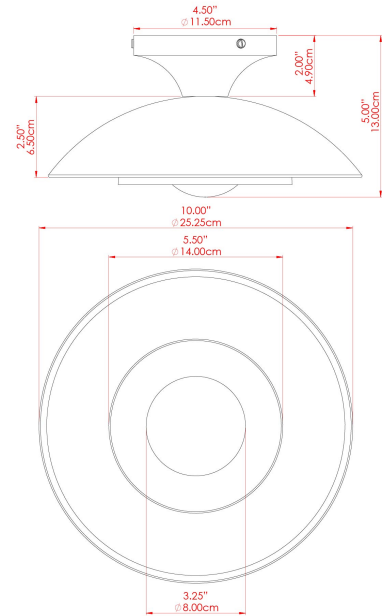
Product Notes:  
1) Bulbs not included. 2) Dimensions do not include bulbs. 3) All products are individually made-to-order and therefore may differ slightly within manufacturing tolerances. 4) Cable / chain can be shortened during installation. Longer cable / chain lengths available on request. 5) Additional color finishes may be available on request. 6) Twisted cable is not available for UL wired products. Round cable in black or brown only is supplied instead. 7) Refer to our website for a full list of terms and conditions.





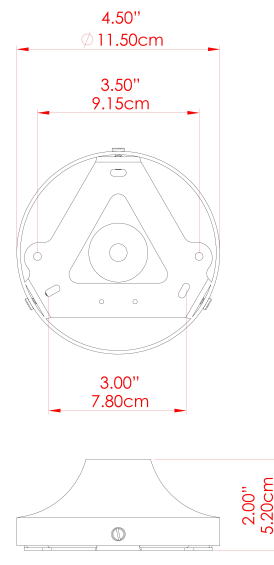
## MARRAKESH Ceiling Light

MLCF122SATBRSPCCRMCL Satin Brass



MATERIAL	Brass
HEIGHT	6"
WIDTH   DIAMETER	9.75"
LENGTH   PROJECTION	n/a
WEIGHT	1.3 kg   2.8 lbs
LAMPHOLDER	G9
MAX WATTAGE	6.5W
VOLTAGE	110/120v
ENVIRONMENTAL RATING	Dry Location (IP20)
CLASS PROTECTION	Class I
SHADE	GL196
FLEX   BAR   CHAIN LENGTH	n/a
CABLE TYPE	

FIXING BRACKET: MLWB12 | Satin Brass



WWW.MULLANLIGHTING.COM

Product Notes:

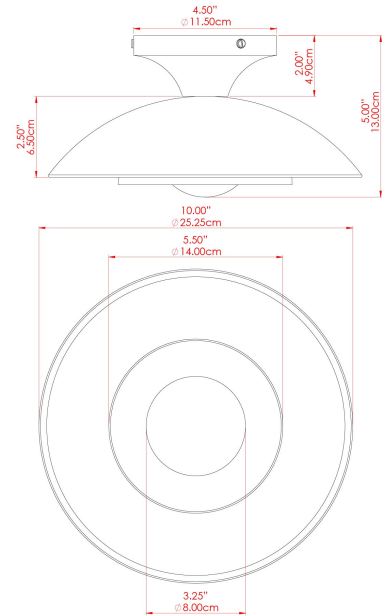
1) Bulbs not included. 2) Dimensions do not include bulbs. 3) All products are individually made-to-order and therefore may differ slightly within manufacturing tolerances. 4) Cable / chain can be shortened during installation. Longer cable / chain lengths available on request. 5) Additional color finishes may be available on request. 6) Twisted cable is not available for UL wired products. Round cable in black or brown only is supplied instead. 7) Refer to our website for a full list of terms and conditions.





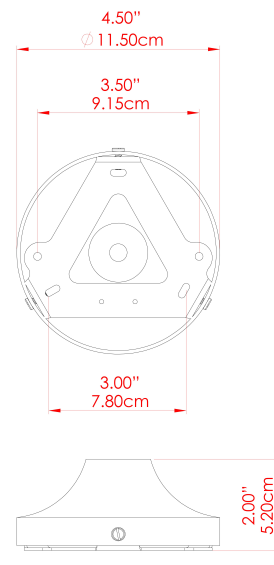
## MARRAKESH Ceiling Light

MLCF122SATBRSPCCRMFR Satin Brass



MATERIAL	Brass
HEIGHT	6"
WIDTH   DIAMETER	9.75"
LENGTH   PROJECTION	n/a
WEIGHT	1.3 kg   2.8 lbs
LAMPHOLDER	G9
MAX WATTAGE	6.5W
VOLTAGE	110/120v
ENVIRONMENTAL RATING	Dry Location (IP20)
CLASS PROTECTION	Class I
SHADE	GL208
FLEX   BAR   CHAIN LENGTH	n/a
CABLE TYPE	

### FIXING BRACKET: MLWB12 |Satin Brass



WWW.MULLANLIGHTING.COM

#### Product Notes:

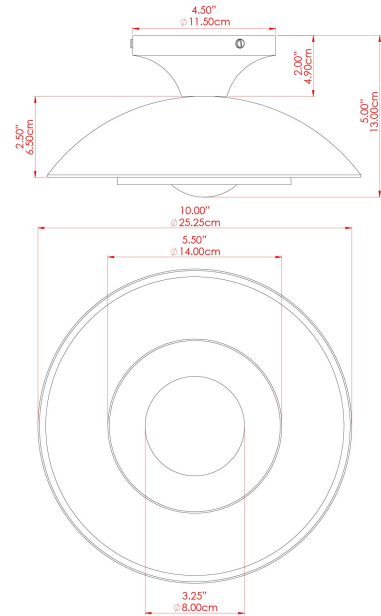
1) Bulbs not included. 2) Dimensions do not include bulbs. 3) All products are individually made-to-order and therefore may differ slightly within manufacturing tolerances. 4) Cable / chain can be shortened during installation. Longer cable / chain lengths available on request. 5) Additional color finishes may be available on request. 6) Twisted cable is not available for UL wired products. Round cable in black or brown only is supplied instead. 7) Refer to our website for a full list of terms and conditions.





## MARRAKESH Ceiling Light

MLCF122SATBRSPCCRMOP Satin Brass



MATERIAL	Brass
HEIGHT	6"
WIDTH   DIAMETER	9.75"
LENGTH   PROJECTION	n/a
WEIGHT	1.3 kg   2.8 lbs
LAMPHOLDER	G9
MAX WATTAGE	6.5W
VOLTAGE	110/120v
ENVIRONMENTAL RATING	Dry Location (IP20)
CLASS PROTECTION	Class I
SHADE	GL192
FLEX   BAR   CHAIN LENGTH	n/a
CABLE TYPE	

### FIXING BRACKET: MLWB12 | Satin Brass



WWW.MULLANLIGHTING.COM

#### Product Notes:

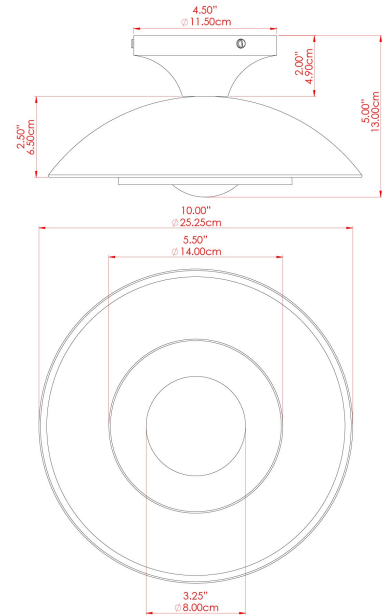
1) Bulbs not included. 2) Dimensions do not include bulbs. 3) All products are individually made-to-order and therefore may differ slightly within manufacturing tolerances. 4) Cable / chain can be shortened during installation. Longer cable / chain lengths available on request. 5) Additional color finishes may be available on request. 6) Twisted cable is not available for UL wired products. Round cable in black or brown only is supplied instead. 7) Refer to our website for a full list of terms and conditions.





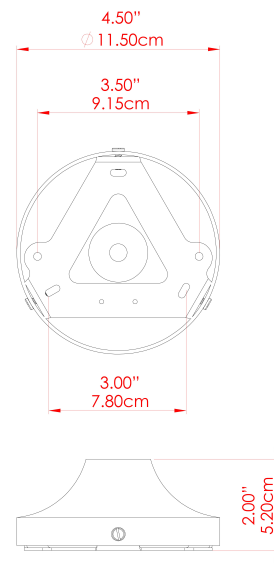
## MARRAKESH Ceiling Light

MLCF122SATBRSPCMBKCL Satin Brass



MATERIAL	Brass
HEIGHT	6"
WIDTH   DIAMETER	9.75"
LENGTH   PROJECTION	n/a
WEIGHT	1.3 kg   2.8 lbs
LAMPHOLDER	G9
MAX WATTAGE	6.5W
VOLTAGE	110/120v
ENVIRONMENTAL RATING	Dry Location (IP20)
CLASS PROTECTION	Class I
SHADE	GL196
FLEX   BAR   CHAIN LENGTH	n/a
CABLE TYPE	

FIXING BRACKET: MLWB12 | Satin Brass



WWW.MULLANLIGHTING.COM

### Product Notes:

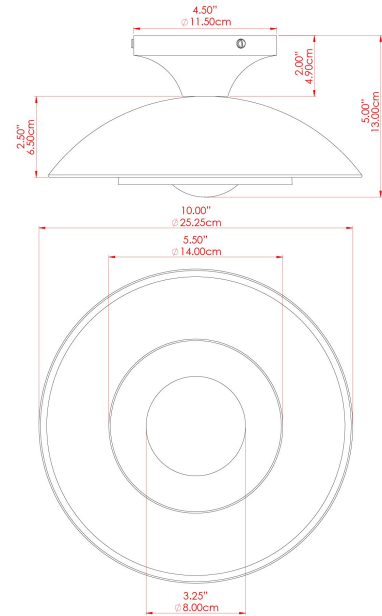
1) Bulbs not included. 2) Dimensions do not include bulbs. 3) All products are individually made-to-order and therefore may differ slightly within manufacturing tolerances. 4) Cable / chain can be shortened during installation. Longer cable / chain lengths available on request. 5) Additional color finishes may be available on request. 6) Twisted cable is not available for UL wired products. Round cable in black or brown only is supplied instead. 7) Refer to our website for a full list of terms and conditions.





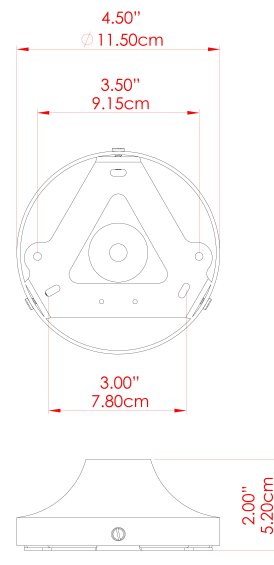
## MARRAKESH Ceiling Light

MLCF122SATBRSPCMBKFR Satin Brass



MATERIAL	Brass
HEIGHT	6"
WIDTH   DIAMETER	9.75"
LENGTH   PROJECTION	n/a
WEIGHT	1.3 kg   2.8 lbs
LAMPHOLDER	G9
MAX WATTAGE	6.5W
VOLTAGE	110/120v
ENVIRONMENTAL RATING	Dry Location (IP20)
CLASS PROTECTION	Class I
SHADE	GL208
FLEX   BAR   CHAIN LENGTH	n/a
CABLE TYPE	

FIXING BRACKET: MLWB12 | Satin Brass



WWW.MULLANLIGHTING.COM

Product Notes:

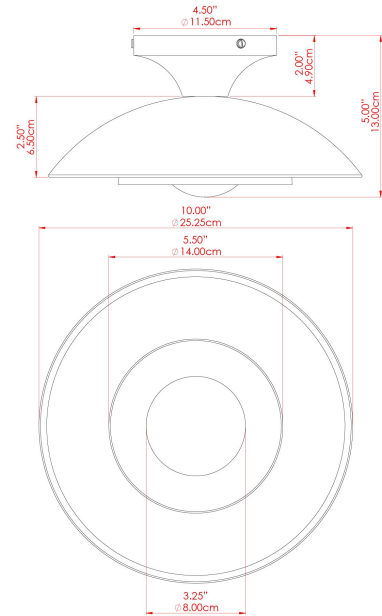
1) Bulbs not included. 2) Dimensions do not include bulbs. 3) All products are individually made-to-order and therefore may differ slightly within manufacturing tolerances. 4) Cable / chain can be shortened during installation. Longer cable / chain lengths available on request. 5) Additional color finishes may be available on request. 6) Twisted cable is not available for UL wired products. Round cable in black or brown only is supplied instead. 7) Refer to our website for a full list of terms and conditions.





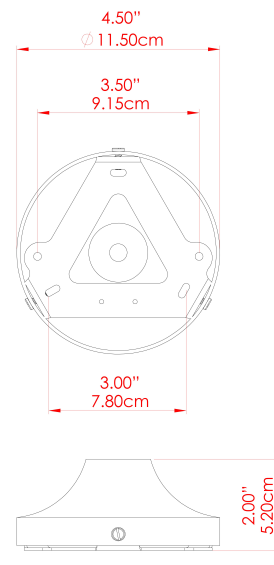
## MARRAKESH Ceiling Light

MLCF122SATBRSPCMBKOP Satin Brass



MATERIAL	Brass
HEIGHT	6"
WIDTH   DIAMETER	9.75"
LENGTH   PROJECTION	n/a
WEIGHT	1.3 kg   2.8 lbs
LAMPHOLDER	G9
MAX WATTAGE	6.5W
VOLTAGE	110/120v
ENVIRONMENTAL RATING	Dry Location (IP20)
CLASS PROTECTION	Class I
SHADE	GL192
FLEX   BAR   CHAIN LENGTH	n/a
CABLE TYPE	

### FIXING BRACKET: MLWB12 | Satin Brass



WWW.MULLANLIGHTING.COM

#### Product Notes:

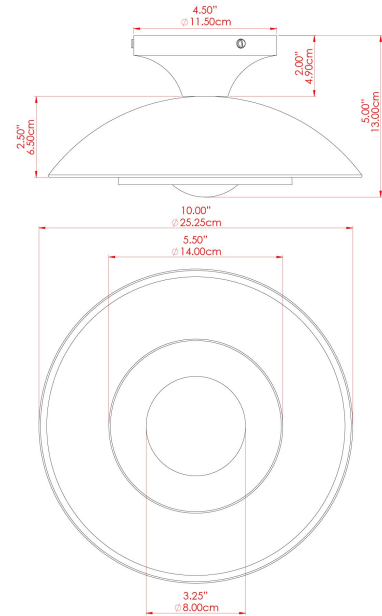
1) Bulbs not included. 2) Dimensions do not include bulbs. 3) All products are individually made-to-order and therefore may differ slightly within manufacturing tolerances. 4) Cable / chain can be shortened during installation. Longer cable / chain lengths available on request. 5) Additional color finishes may be available on request. 6) Twisted cable is not available for UL wired products. Round cable in black or brown only is supplied instead. 7) Refer to our website for a full list of terms and conditions.





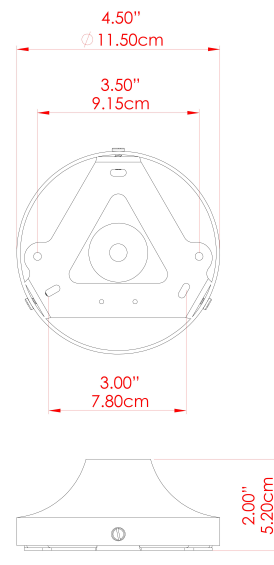
## MARRAKESH Ceiling Light

MLCF122SATBRSPCMMTCL Satin Brass



MATERIAL	Brass
HEIGHT	6"
WIDTH   DIAMETER	9.75"
LENGTH   PROJECTION	n/a
WEIGHT	1.3 kg   2.8 lbs
LAMPHOLDER	G9
MAX WATTAGE	6.5W
VOLTAGE	110/120v
ENVIRONMENTAL RATING	Dry Location (IP20)
CLASS PROTECTION	Class I
SHADE	GL196
FLEX   BAR   CHAIN LENGTH	n/a
CABLE TYPE	

### FIXING BRACKET: MLWB12 | Satin Brass



WWW.MULLANLIGHTING.COM

#### Product Notes:

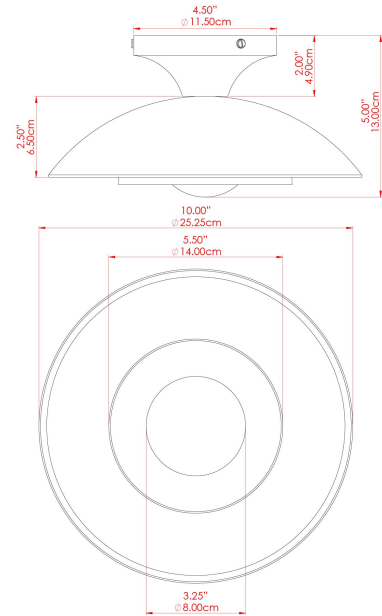
1) Bulbs not included. 2) Dimensions do not include bulbs. 3) All products are individually made-to-order and therefore may differ slightly within manufacturing tolerances. 4) Cable / chain can be shortened during installation. Longer cable / chain lengths available on request. 5) Additional color finishes may be available on request. 6) Twisted cable is not available for UL wired products. Round cable in black or brown only is supplied instead. 7) Refer to our website for a full list of terms and conditions.





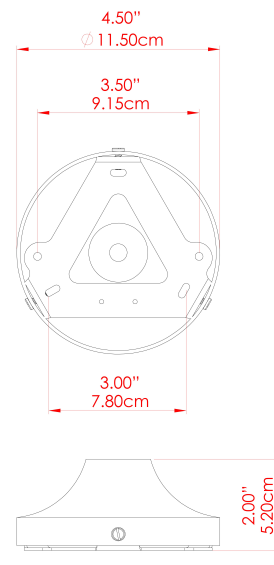
## MARRAKESH Ceiling Light

MLCF122SATBRSPCMMTFR Satin Brass



MATERIAL	Brass
HEIGHT	6"
WIDTH   DIAMETER	9.75"
LENGTH   PROJECTION	n/a
WEIGHT	1.3 kg   2.8 lbs
LAMPHOLDER	G9
MAX WATTAGE	6.5W
VOLTAGE	110/120v
ENVIRONMENTAL RATING	Dry Location (IP20)
CLASS PROTECTION	Class I
SHADE	GL208
FLEX   BAR   CHAIN LENGTH	n/a
CABLE TYPE	

FIXING BRACKET: MLWB12 | Satin Brass



WWW.MULLANLIGHTING.COM

Product Notes:

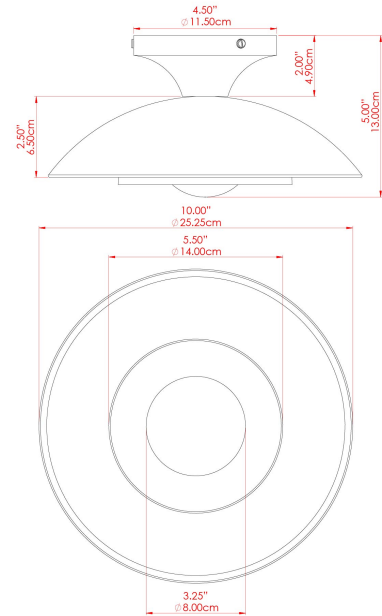
1) Bulbs not included. 2) Dimensions do not include bulbs. 3) All products are individually made-to-order and therefore may differ slightly within manufacturing tolerances. 4) Cable / chain can be shortened during installation. Longer cable / chain lengths available on request. 5) Additional color finishes may be available on request. 6) Twisted cable is not available for UL wired products. Round cable in black or brown only is supplied instead. 7) Refer to our website for a full list of terms and conditions.





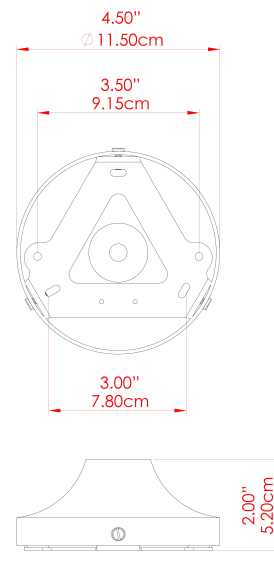
## MARRAKESH Ceiling Light

MLCF122SATBRSPCMMTOP Satin Brass



MATERIAL	Brass
HEIGHT	6"
WIDTH   DIAMETER	9.75"
LENGTH   PROJECTION	n/a
WEIGHT	1.3 kg   2.8 lbs
LAMPHOLDER	G9
MAX WATTAGE	6.5W
VOLTAGE	110/120v
ENVIRONMENTAL RATING	Dry Location (IP20)
CLASS PROTECTION	Class I
SHADE	GL192
FLEX   BAR   CHAIN LENGTH	n/a
CABLE TYPE	

FIXING BRACKET: MLWB12 | Satin Brass



WWW.MULLANLIGHTING.COM

Product Notes:

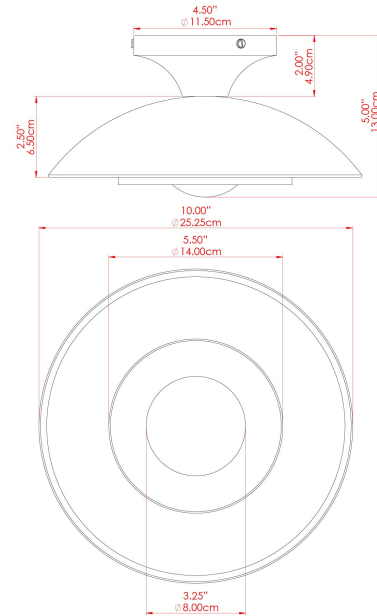
1) Bulbs not included. 2) Dimensions do not include bulbs. 3) All products are individually made-to-order and therefore may differ slightly within manufacturing tolerances. 4) Cable / chain can be shortened during installation. Longer cable / chain lengths available on request. 5) Additional color finishes may be available on request. 6) Twisted cable is not available for UL wired products. Round cable in black or brown only is supplied instead. 7) Refer to our website for a full list of terms and conditions.





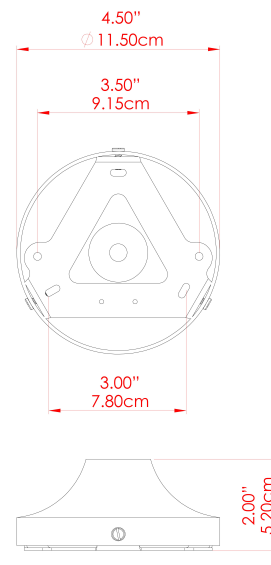
## MARRAKESH Ceiling Light

MLCF122SATBRSPCORGL Satin Brass



MATERIAL	Brass
HEIGHT	6"
WIDTH   DIAMETER	9.75"
LENGTH   PROJECTION	n/a
WEIGHT	1.3 kg   2.8 lbs
LAMPHOLDER	G9
MAX WATTAGE	6.5W
VOLTAGE	110/120v
ENVIRONMENTAL RATING	Dry Location (IP20)
CLASS PROTECTION	Class I
SHADE	GL196
FLEX   BAR   CHAIN LENGTH	n/a
CABLE TYPE	

FIXING BRACKET: MLWB12 | Satin Brass



WWW.MULLANLIGHTING.COM

**Product Notes:**

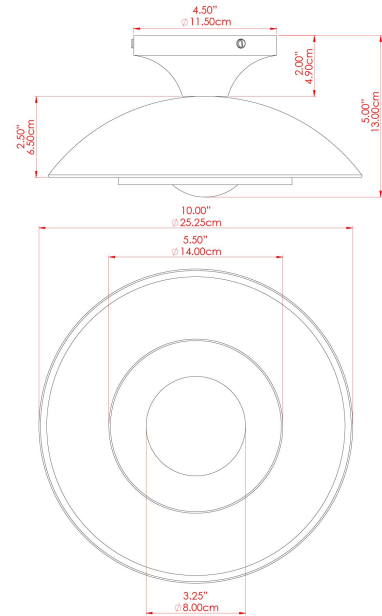
1) Bulbs not included. 2) Dimensions do not include bulbs. 3) All products are individually made-to-order and therefore may differ slightly within manufacturing tolerances. 4) Cable / chain can be shortened during installation. Longer cable / chain lengths available on request. 5) Additional color finishes may be available on request. 6) Twisted cable is not available for UL wired products. Round cable in black or brown only is supplied instead. 7) Refer to our website for a full list of terms and conditions.





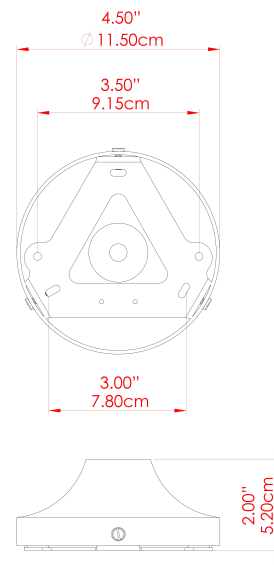
## MARRAKESH Ceiling Light

MLCF122SATBRSPCORGFR Satin Brass



MATERIAL	Brass
HEIGHT	6"
WIDTH   DIAMETER	9.75"
LENGTH   PROJECTION	n/a
WEIGHT	1.3 kg   2.8 lbs
LAMPHOLDER	G9
MAX WATTAGE	6.5W
VOLTAGE	110/120v
ENVIRONMENTAL RATING	Dry Location (IP20)
CLASS PROTECTION	Class I
SHADE	GL208
FLEX   BAR   CHAIN LENGTH	n/a
CABLE TYPE	

FIXING BRACKET: MLWB12 | Satin Brass



WWW.MULLANLIGHTING.COM

**Product Notes:**

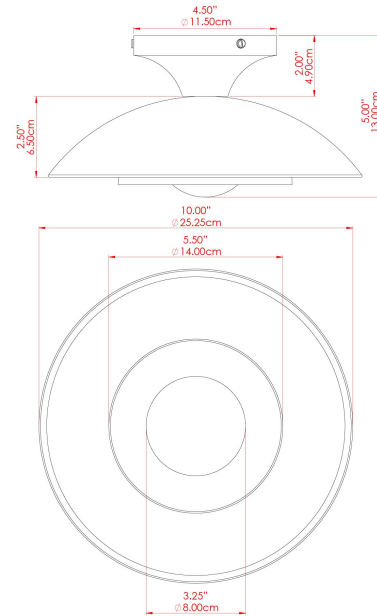
1) Bulbs not included. 2) Dimensions do not include bulbs. 3) All products are individually made-to-order and therefore may differ slightly within manufacturing tolerances. 4) Cable / chain can be shortened during installation. Longer cable / chain lengths available on request. 5) Additional color finishes may be available on request. 6) Twisted cable is not available for UL wired products. Round cable in black or brown only is supplied instead. 7) Refer to our website for a full list of terms and conditions.





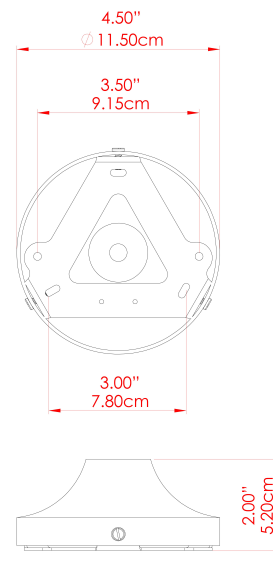
## MARRAKESH Ceiling Light

MLCF122SATBRSPCORGOP Satin Brass



MATERIAL	Brass
HEIGHT	6"
WIDTH   DIAMETER	9.75"
LENGTH   PROJECTION	n/a
WEIGHT	1.3 kg   2.8 lbs
LAMPHOLDER	G9
MAX WATTAGE	6.5W
VOLTAGE	110/120v
ENVIRONMENTAL RATING	Dry Location (IP20)
CLASS PROTECTION	Class I
SHADE	GL192
FLEX   BAR   CHAIN LENGTH	n/a
CABLE TYPE	

FIXING BRACKET: MLWB12 | Satin Brass



WWW.MULLANLIGHTING.COM

Product Notes:

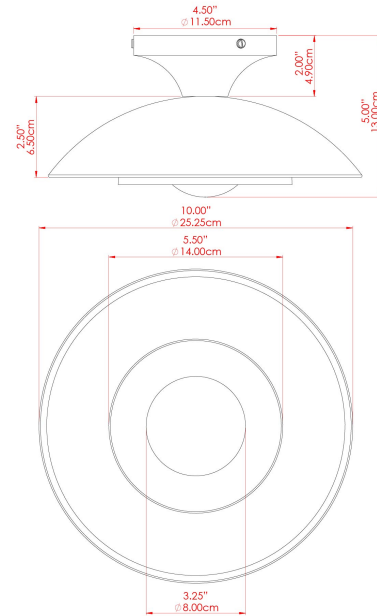
1) Bulbs not included. 2) Dimensions do not include bulbs. 3) All products are individually made-to-order and therefore may differ slightly within manufacturing tolerances. 4) Cable / chain can be shortened during installation. Longer cable / chain lengths available on request. 5) Additional color finishes may be available on request. 6) Twisted cable is not available for UL wired products. Round cable in black or brown only is supplied instead. 7) Refer to our website for a full list of terms and conditions.





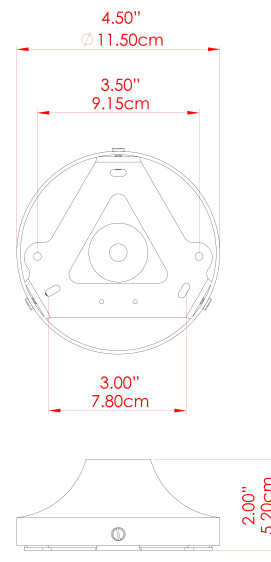
## MARRAKESH Ceiling Light

MLCF122SATBRSPCRGROP Satin Brass



MATERIAL	Brass
HEIGHT	6"
WIDTH   DIAMETER	9.75"
LENGTH   PROJECTION	n/a
WEIGHT	1.3 kg   2.8 lbs
LAMPHOLDER	G9
MAX WATTAGE	6.5W
VOLTAGE	110/120v
ENVIRONMENTAL RATING	Dry Location (IP20)
CLASS PROTECTION	Class I
SHADE	GL192
FLEX   BAR   CHAIN LENGTH	n/a
CABLE TYPE	

FIXING BRACKET: MLWB12 | Satin Brass



WWW.MULLANLIGHTING.COM

### Product Notes:

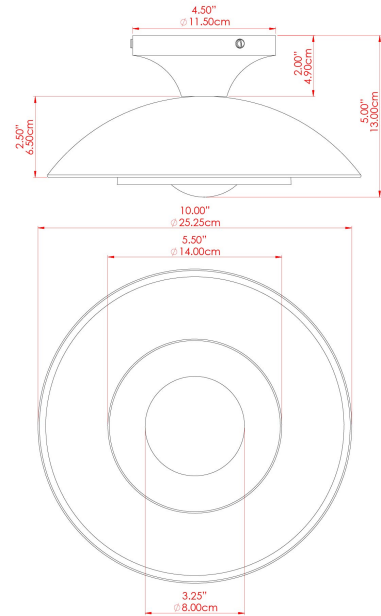
1) Bulbs not included. 2) Dimensions do not include bulbs. 3) All products are individually made-to-order and therefore may differ slightly within manufacturing tolerances. 4) Cable / chain can be shortened during installation. Longer cable / chain lengths available on request. 5) Additional color finishes may be available on request. 6) Twisted cable is not available for UL wired products. Round cable in black or brown only is supplied instead. 7) Refer to our website for a full list of terms and conditions.





# MARRAKESH Ceiling Light

MLCF122SATBRSPCREDCL Satin Brass



MATERIAL	Brass
HEIGHT	6"
WIDTH   DIAMETER	9.75"
LENGTH   PROJECTION	n/a
WEIGHT	1.3 kg   2.8 lbs
LAMPHOLDER	G9
MAX WATTAGE	6.5W
VOLTAGE	110/120v
ENVIRONMENTAL RATING	Dry Location (IP20)
CLASS PROTECTION	Class I
SHADE	GL196
FLEX   BAR   CHAIN LENGTH	n/a
CABLE TYPE	

FIXING BRACKET: MLWB12 | Satin Brass



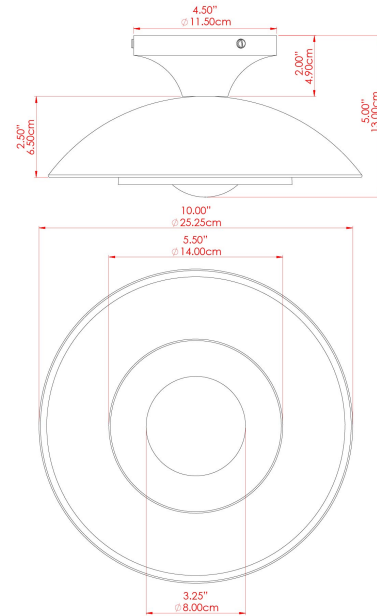
Product Notes:  
 1) Bulbs not included. 2) Dimensions do not include bulbs. 3) All products are individually made-to-order and therefore may differ slightly within manufacturing tolerances. 4) Cable / chain can be shortened during installation. Longer cable / chain lengths available on request. 5) Additional color finishes may be available on request. 6) Twisted cable is not available for UL wired products. Round cable in black or brown only is supplied instead. 7) Refer to our website for a full list of terms and conditions.





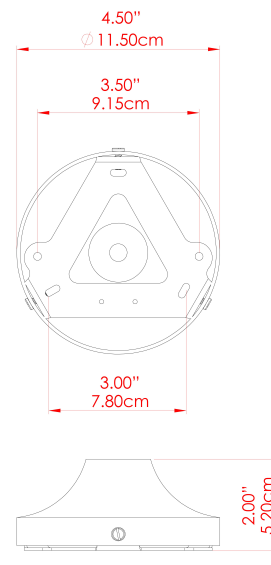
## MARRAKESH Ceiling Light

MLCF122SATBRSPCREDFR Satin Brass



MATERIAL	Brass
HEIGHT	6"
WIDTH   DIAMETER	9.75"
LENGTH   PROJECTION	n/a
WEIGHT	1.3 kg   2.8 lbs
LAMPHOLDER	G9
MAX WATTAGE	6.5W
VOLTAGE	110/120v
ENVIRONMENTAL RATING	Dry Location (IP20)
CLASS PROTECTION	Class I
SHADE	GL208
FLEX   BAR   CHAIN LENGTH	n/a
CABLE TYPE	

FIXING BRACKET: MLWB12 | Satin Brass



WWW.MULLANLIGHTING.COM

**Product Notes:**

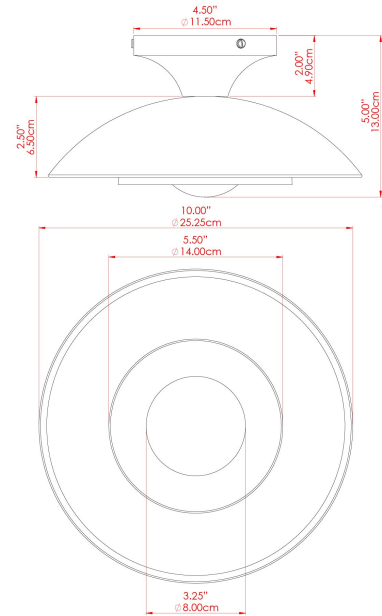
1) Bulbs not included. 2) Dimensions do not include bulbs. 3) All products are individually made-to-order and therefore may differ slightly within manufacturing tolerances. 4) Cable / chain can be shortened during installation. Longer cable / chain lengths available on request. 5) Additional color finishes may be available on request. 6) Twisted cable is not available for UL wired products. Round cable in black or brown only is supplied instead. 7) Refer to our website for a full list of terms and conditions.





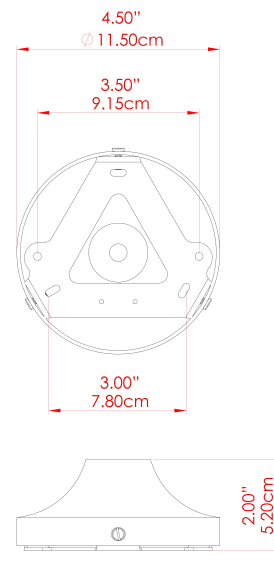
## MARRAKESH Ceiling Light

MLCF122SATBRSPCREDOP Satin Brass



MATERIAL	Brass
HEIGHT	6"
WIDTH   DIAMETER	9.75"
LENGTH   PROJECTION	n/a
WEIGHT	1.3 kg   2.8 lbs
LAMPHOLDER	G9
MAX WATTAGE	6.5W
VOLTAGE	110/120v
ENVIRONMENTAL RATING	Dry Location (IP20)
CLASS PROTECTION	Class I
SHADE	GL192
FLEX   BAR   CHAIN LENGTH	n/a
CABLE TYPE	

FIXING BRACKET: MLWB12 | Satin Brass



WWW.MULLANLIGHTING.COM

### Product Notes:

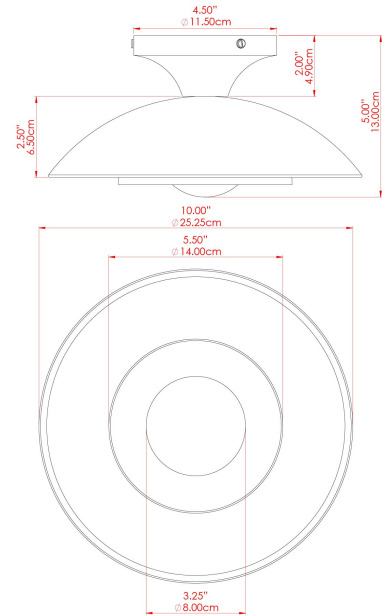
1) Bulbs not included. 2) Dimensions do not include bulbs. 3) All products are individually made-to-order and therefore may differ slightly within manufacturing tolerances. 4) Cable / chain can be shortened during installation. Longer cable / chain lengths available on request. 5) Additional color finishes may be available on request. 6) Twisted cable is not available for UL wired products. Round cable in black or brown only is supplied instead. 7) Refer to our website for a full list of terms and conditions.





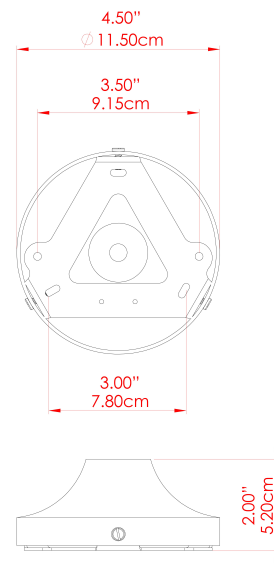
## MARRAKESH Ceiling Light

MLCF122SATBRSPCGRNCL Satin Brass



MATERIAL	Brass
HEIGHT	6"
WIDTH   DIAMETER	9.75"
LENGTH   PROJECTION	n/a
WEIGHT	1.3 kg   2.8 lbs
LAMPHOLDER	G9
MAX WATTAGE	6.5W
VOLTAGE	110/120v
ENVIRONMENTAL RATING	Dry Location (IP20)
CLASS PROTECTION	Class I
SHADE	GL196
FLEX   BAR   CHAIN LENGTH	n/a
CABLE TYPE	

FIXING BRACKET: MLWB12 | Satin Brass



WWW.MULLANLIGHTING.COM

**Product Notes:**

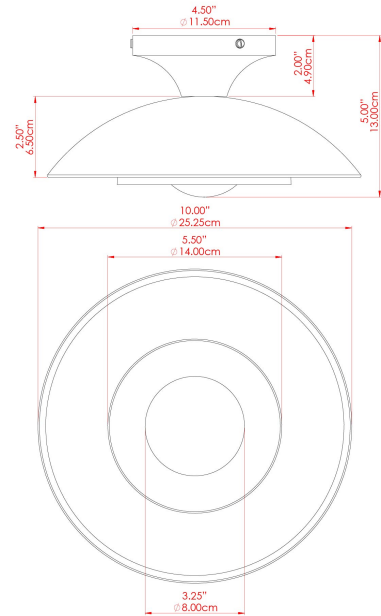
1) Bulbs not included. 2) Dimensions do not include bulbs. 3) All products are individually made-to-order and therefore may differ slightly within manufacturing tolerances. 4) Cable / chain can be shortened during installation. Longer cable / chain lengths available on request. 5) Additional color finishes may be available on request. 6) Twisted cable is not available for UL wired products. Round cable in black or brown only is supplied instead. 7) Refer to our website for a full list of terms and conditions.





# MARRAKESH Ceiling Light

MLCF122SATBRSPCGRNFR Satin Brass



MATERIAL	Brass
HEIGHT	6"
WIDTH   DIAMETER	9.75"
LENGTH   PROJECTION	n/a
WEIGHT	1.3 kg   2.8 lbs
LAMPHOLDER	G9
MAX WATTAGE	6.5W
VOLTAGE	110/120v
ENVIRONMENTAL RATING	Dry Location (IP20)
CLASS PROTECTION	Class I
SHADE	GL208
FLEX   BAR   CHAIN LENGTH	n/a
CABLE TYPE	

FIXING BRACKET: MLWB12 | Satin Brass



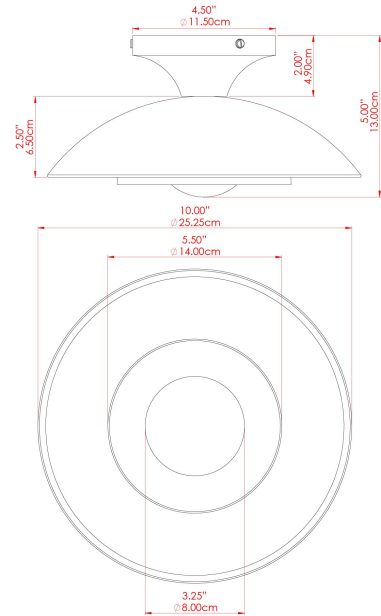
Product Notes:  
 1) Bulbs not included. 2) Dimensions do not include bulbs. 3) All products are individually made-to-order and therefore may differ slightly within manufacturing tolerances. 4) Cable / chain can be shortened during installation. Longer cable / chain lengths available on request. 5) Additional color finishes may be available on request. 6) Twisted cable is not available for UL wired products. Round cable in black or brown only is supplied instead. 7) Refer to our website for a full list of terms and conditions.





## MARRAKESH Ceiling Light

MLCF122SATBRSPCGRNOP Satin Brass



MATERIAL	Brass
HEIGHT	6"
WIDTH   DIAMETER	9.75"
LENGTH   PROJECTION	n/a
WEIGHT	1.3 kg   2.8 lbs
LAMPHOLDER	G9
MAX WATTAGE	6.5W
VOLTAGE	110/120v
ENVIRONMENTAL RATING	Dry Location (IP20)
CLASS PROTECTION	Class I
SHADE	GL192
FLEX   BAR   CHAIN LENGTH	n/a
CABLE TYPE	

FIXING BRACKET: MLWB12 | Satin Brass



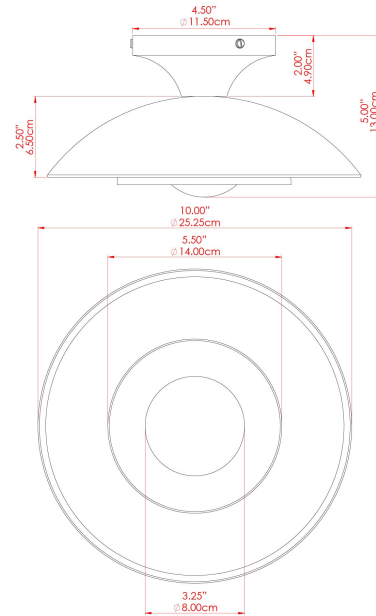
**Product Notes:**

1) Bulbs not included. 2) Dimensions do not include bulbs. 3) All products are individually made-to-order and therefore may differ slightly within manufacturing tolerances. 4) Cable / chain can be shortened during installation. Longer cable / chain lengths available on request. 5) Additional color finishes may be available on request. 6) Twisted cable is not available for UL wired products. Round cable in black or brown only is supplied instead. 7) Refer to our website for a full list of terms and conditions.



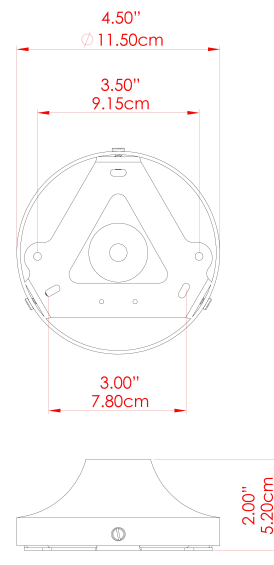
# MARRAKESH Ceiling Light

# MLCF122SATBRSL Satin Brass



MATERIAL	Brass
HEIGHT	6"
WIDTH   DIAMETER	9.75"
LENGTH   PROJECTION	n/a
WEIGHT	1.3 kg   2.8 lbs
LAMPHOLDER	G9
MAX WATTAGE	6.5W
VOLTAGE	110/120v
ENVIRONMENTAL RATING	Dry Location (IP20)
CLASS PROTECTION	Class I
SHADE	GL196
FLEX   BAR   CHAIN LENGTH	n/a
CABLE TYPE	

### FIXING BRACKET: MLWB12 | Satin Brass

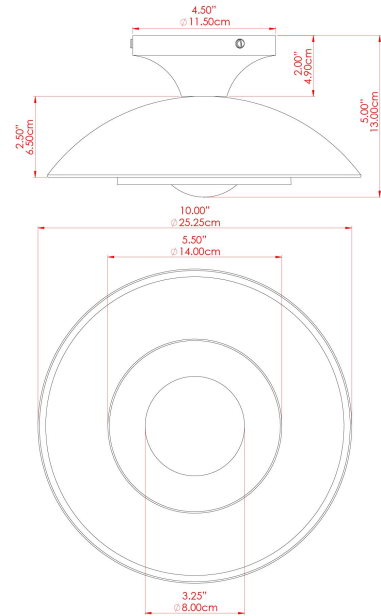


Product Notes:  
 1) Bulbs not included. 2) Dimensions do not include bulbs. 3) All products are individually made-to-order and therefore may differ slightly within manufacturing tolerances. 4) Cable / chain can be shortened during installation. Longer cable / chain lengths available on request. 5) Additional color finishes may be available on request. 6) Twisted cable is not available for UL wired products. Round cable in black or brown only is supplied instead. 7) Refer to our website for a full list of terms and conditions.



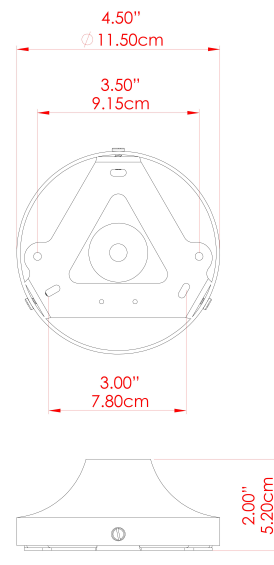
# MARRAKESH Ceiling Light

## MLCF122SATBRSFR Satin Brass



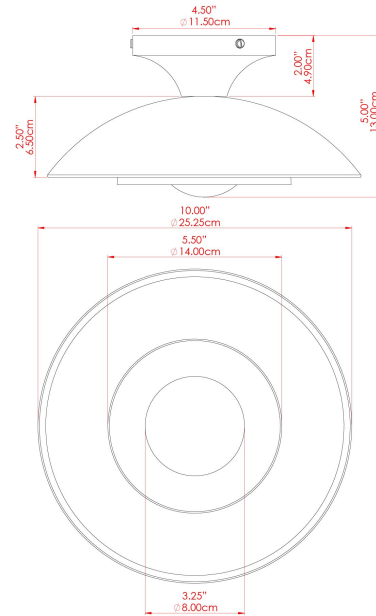
MATERIAL	Brass
HEIGHT	6"
WIDTH   DIAMETER	9.75"
LENGTH   PROJECTION	n/a
WEIGHT	1.3 kg   2.8 lbs
LAMPHOLDER	G9
MAX WATTAGE	6.5W
VOLTAGE	110/120v
ENVIRONMENTAL RATING	Dry Location (IP20)
CLASS PROTECTION	Class I
SHADE	GL208
FLEX   BAR   CHAIN LENGTH	n/a
CABLE TYPE	

### FIXING BRACKET: MLWB12 | Satin Brass



# MARRAKESH Ceiling Light

MLCF122SATBRSOP Satin Brass



MATERIAL	Brass
HEIGHT	6"
WIDTH   DIAMETER	9.75"
LENGTH   PROJECTION	n/a
WEIGHT	1.3 kg   2.8 lbs
LAMPHOLDER	G9
MAX WATTAGE	6.5W
VOLTAGE	110/120v
ENVIRONMENTAL RATING	Dry Location (IP20)
CLASS PROTECTION	Class I
SHADE	GL192
FLEX   BAR   CHAIN LENGTH	n/a
CABLE TYPE	

## FIXING BRACKET: MLWB12 | Satin Brass



Product Notes:  
 1) Bulbs not included. 2) Dimensions do not include bulbs. 3) All products are individually made-to-order and therefore may differ slightly within manufacturing tolerances. 4) Cable / chain can be shortened during installation. Longer cable / chain lengths available on request. 5) Additional color finishes may be available on request. 6) Twisted cable is not available for UL wired products. Round cable in black or brown only is supplied instead. 7) Refer to our website for a full list of terms and conditions.

