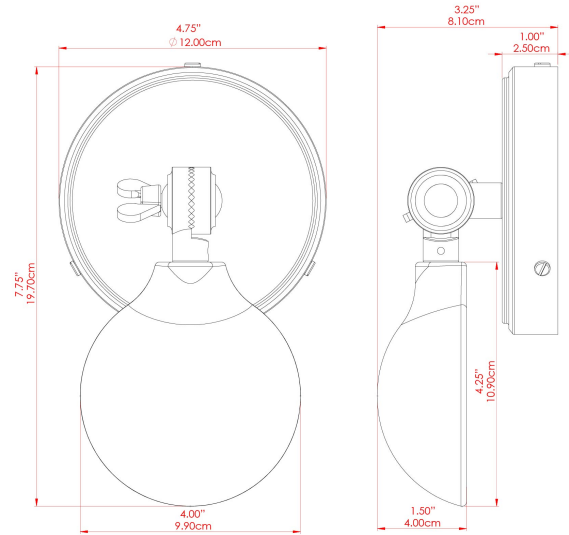




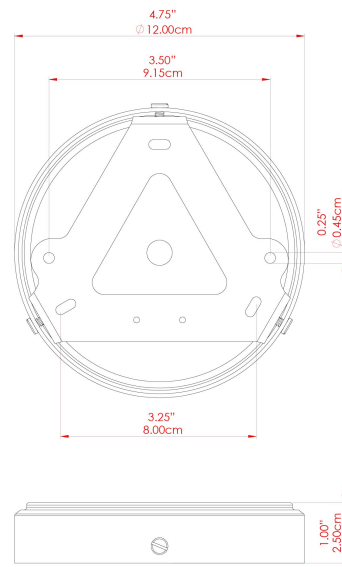
COCO Ceramic Wall Light

MLCMWL022ANTBRS Antique Brass



MATERIAL	Brass Ceramic
HEIGHT	4"
WIDTH DIAMETER	4.25"
LENGTH PROJECTION	7.5"
WEIGHT	0.38 kg 0.75 lbs
LAMPHOLDER	G9
MAX WATTAGE	5W
VOLTAGE	110/120v
ENVIRONMENTAL RATING	Dry Location (IP20)
CLASS PROTECTION	Class I
SHADE	MLCS048
FLEX BAR CHAIN LENGTH	n/a
CABLE TYPE	

FIXING BRACKET: MLROSE39

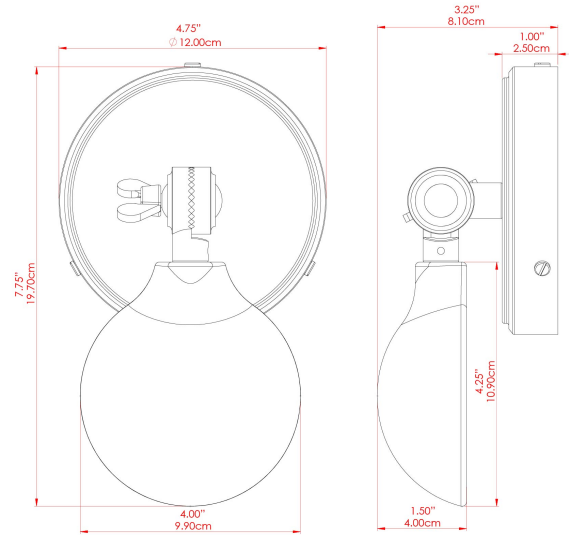


Product Notes:
1) Bulbs not included. 2) Dimensions do not include bulbs. 3) All products are individually made-to-order and therefore may differ slightly within manufacturing tolerances. 4) Cable / chain can be shortened during installation. Longer cable / chain lengths available on request. 5) Additional color finishes may be available on request. 6) Twisted cable is not available for UL wired products. Round cable in black or brown only is supplied instead. 7) Refer to our website for a full list of terms and conditions.



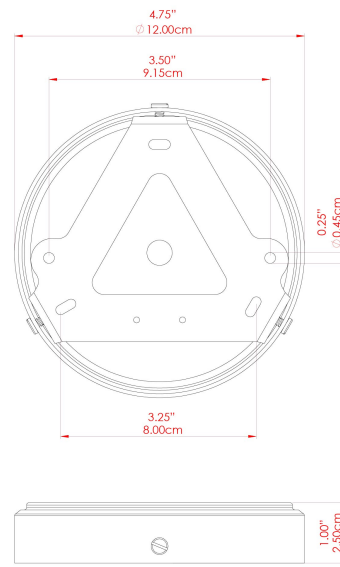
COCO Ceramic Wall Light

MLCMWL022ANTSLV Antique Silver



MATERIAL	Brass Ceramic
HEIGHT	4"
WIDTH DIAMETER	4.25"
LENGTH PROJECTION	7.5"
WEIGHT	0.38 kg 0.75 lbs
LAMPHOLDER	G9
MAX WATTAGE	6.5W
VOLTAGE	110/120v
ENVIRONMENTAL RATING	Dry Location (IP20)
CLASS PROTECTION	Class I
SHADE	MLCS048
FLEX BAR CHAIN LENGTH	n/a
CABLE TYPE	

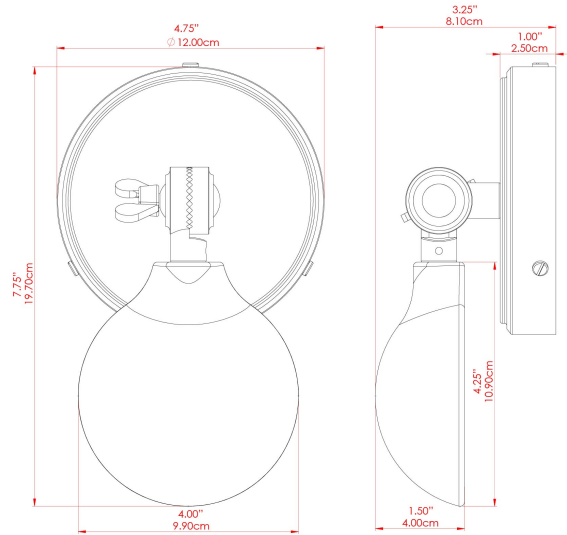
FIXING BRACKET: MLROSE39





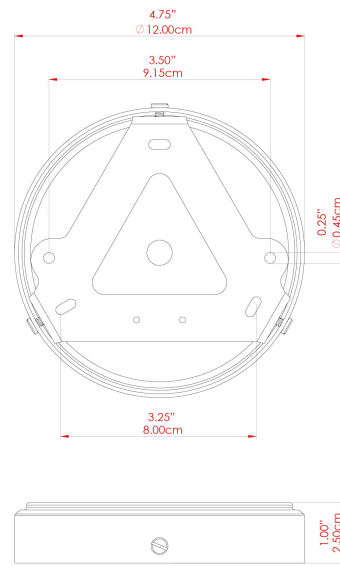
COCO Ceramic Wall Light

MLCMWL022POLBRS Polished Brass



MATERIAL	Brass Ceramic
HEIGHT	4"
WIDTH DIAMETER	4.25"
LENGTH PROJECTION	7.5"
WEIGHT	0.38 kg 0.75 lbs
LAMPHOLDER	G9
MAX WATTAGE	6.5W
VOLTAGE	110/120v
ENVIRONMENTAL RATING	Dry Location (IP20)
CLASS PROTECTION	Class I
SHADE	MLCS048
FLEX BAR CHAIN LENGTH	n/a
CABLE TYPE	

FIXING BRACKET: MLROSE39

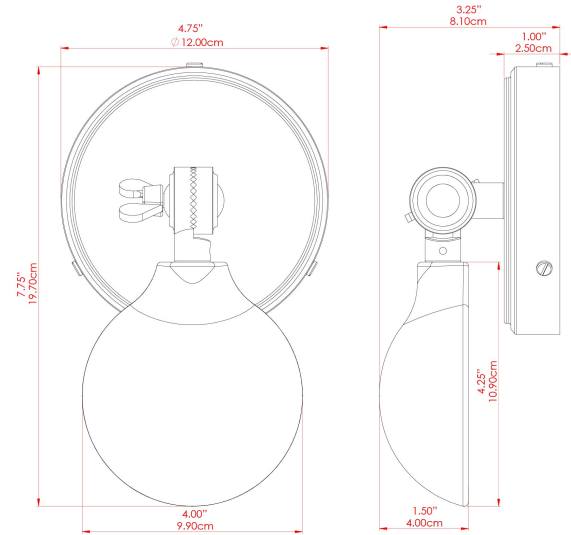


Product Notes:
 1) Bulbs not included. 2) Dimensions do not include bulbs. 3) All products are individually made-to-order and therefore may differ slightly within manufacturing tolerances. 4) Cable / chain can be shortened during installation. Longer cable / chain lengths available on request. 5) Additional color finishes may be available on request. 6) Twisted cable is not available for UL wired products. Round cable in black or brown only is supplied instead. 7) Refer to our website for a full list of terms and conditions.



COCO Ceramic Wall Light

MLCMWL022SATBRS Satin Brass



MATERIAL	Brass Ceramic
HEIGHT	4"
WIDTH DIAMETER	4.25"
LENGTH PROJECTION	7.5"
WEIGHT	0.38 kg 0.75 lbs
LAMPHOLDER	G9
MAX WATTAGE	6.5W
VOLTAGE	110/120v
ENVIRONMENTAL RATING	Dry Location (IP20)
CLASS PROTECTION	Class I
SHADE	MLCS048
FLEX BAR CHAIN LENGTH	n/a
CABLE TYPE	

FIXING BRACKET: MLROSE39

