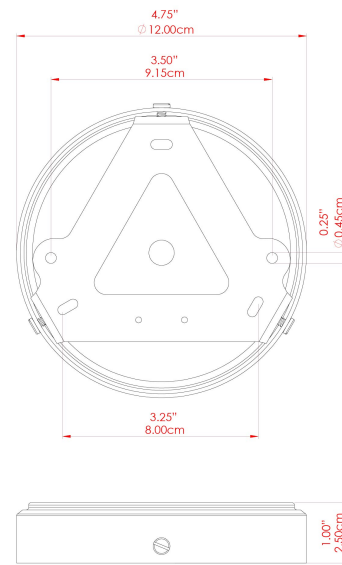


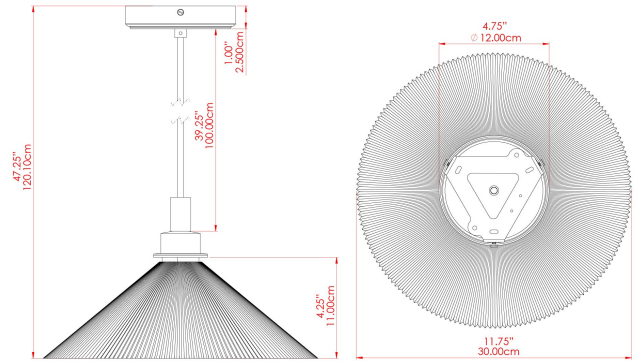
| | |
|---------------------------|---|
| MATERIAL | Brass Glass |
| HEIGHT | 9" |
| WIDTH DIAMETER | 11.75" |
| LENGTH PROJECTION | n/a |
| WEIGHT | 2 kg 4.3 lbs |
| LAMPHOLDER | E26 |
| MAX WATTAGE | 6.5W |
| VOLTAGE | 110/120v |
| ENVIRONMENTAL RATING | Wet Location (IP65) |
| CLASS PROTECTION | Class II |
| SHADE | GL028 GLWP01 |
| FLEX BAR CHAIN LENGTH | 40" |
| CABLE TYPE | MLOCA001 Brown Fabric Braided Outdoor Rubber Cable 2 Core Round |

FIXING BRACKET: MLROSE39 | Antique Brass



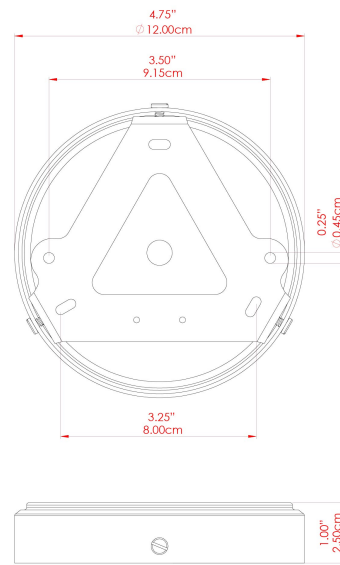
Product Notes:
 1) Bulbs not included. 2) Dimensions do not include bulbs. 3) All products are individually made-to-order and therefore may differ slightly within manufacturing tolerances. 4) Cable / chain can be shortened during installation. Longer cable / chain lengths available on request. 5) Additional color finishes may be available on request. 6) Twisted cable is not available for UL wired products. Round cable in black or brown only is supplied instead. 7) Refer to our website for a full list of terms and conditions.





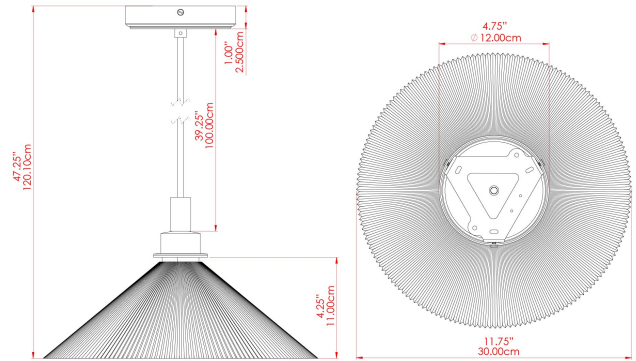
| | |
|---------------------------|---|
| MATERIAL | Brass Glass |
| HEIGHT | 9" |
| WIDTH DIAMETER | 11.75" |
| LENGTH PROJECTION | n/a |
| WEIGHT | 2 kg 4.3 lbs |
| LAMPHOLDER | E26 |
| MAX WATTAGE | 6.5W |
| VOLTAGE | 110/120v |
| ENVIRONMENTAL RATING | Wet Location (IP65) |
| CLASS PROTECTION | Class II |
| SHADE | GL028 GLWP02 |
| FLEX BAR CHAIN LENGTH | 40" |
| CABLE TYPE | MLOCA001 Brown Fabric Braided Outdoor Rubber Cable 2 Core Round |

FIXING BRACKET: MLROSE39 | Antique Brass



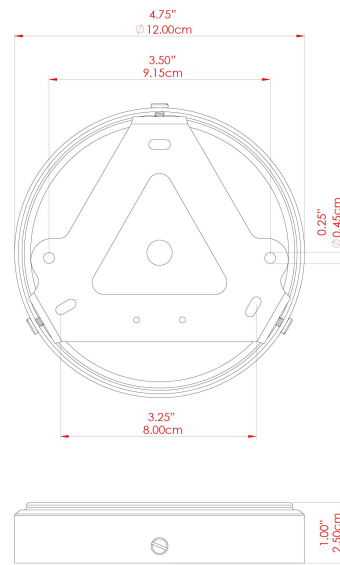
Product Notes:
 1) Bulbs not included. 2) Dimensions do not include bulbs. 3) All products are individually made-to-order and therefore may differ slightly within manufacturing tolerances. 4) Cable / chain can be shortened during installation. Longer cable / chain lengths available on request. 5) Additional color finishes may be available on request. 6) Twisted cable is not available for UL wired products. Round cable in black or brown only is supplied instead. 7) Refer to our website for a full list of terms and conditions.





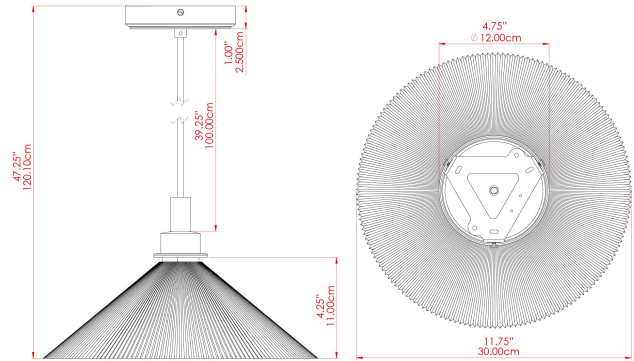
| | |
|---------------------------|---|
| MATERIAL | Brass Glass |
| HEIGHT | 9" |
| WIDTH DIAMETER | 11.75" |
| LENGTH PROJECTION | n/a |
| WEIGHT | 2 kg 4.3 lbs |
| LAMPHOLDER | E26 |
| MAX WATTAGE | 6.5W |
| VOLTAGE | 110/120v |
| ENVIRONMENTAL RATING | Wet Location (IP65) |
| CLASS PROTECTION | Class II |
| SHADE | GL028 GLWP01 |
| FLEX BAR CHAIN LENGTH | 40" |
| CABLE TYPE | MLOCA002 Black Fabric Braided Outdoor Rubber Cable 2 Core Round |

FIXING BRACKET: MLROSE39 | Antique Silver



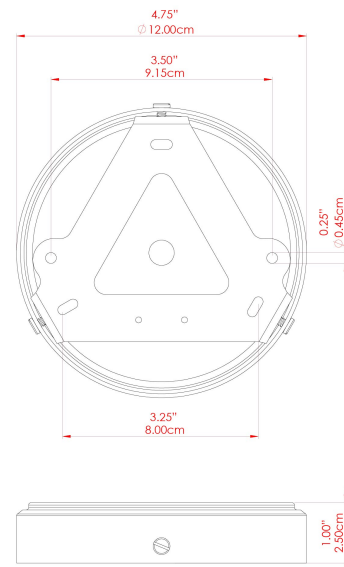
Product Notes:
 1) Bulbs not included. 2) Dimensions do not include bulbs. 3) All products are individually made-to-order and therefore may differ slightly within manufacturing tolerances. 4) Cable / chain can be shortened during installation. Longer cable / chain lengths available on request. 5) Additional color finishes may be available on request. 6) Twisted cable is not available for UL wired products. Round cable in black or brown only is supplied instead. 7) Refer to our website for a full list of terms and conditions.





| | |
|---------------------------|---|
| MATERIAL | Brass Glass |
| HEIGHT | 9" |
| WIDTH DIAMETER | 11.75" |
| LENGTH PROJECTION | n/a |
| WEIGHT | 2 kg 4.3 lbs |
| LAMPHOLDER | E26 |
| MAX WATTAGE | 6.5W |
| VOLTAGE | 110/120v |
| ENVIRONMENTAL RATING | Wet Location (IP65) |
| CLASS PROTECTION | Class II |
| SHADE | GL028 GLWP02 |
| FLEX BAR CHAIN LENGTH | 40" |
| CABLE TYPE | MLOCA002 Black Fabric Braided Outdoor Rubber Cable 2 Core Round |

FIXING BRACKET: MLROSE39 | Antique Silver



Product Notes:
 1) Bulbs not included. 2) Dimensions do not include bulbs. 3) All products are individually made-to-order and therefore may differ slightly within manufacturing tolerances. 4) Cable / chain can be shortened during installation. Longer cable / chain lengths available on request. 5) Additional color finishes may be available on request. 6) Twisted cable is not available for UL wired products. Round cable in black or brown only is supplied instead. 7) Refer to our website for a full list of terms and conditions.



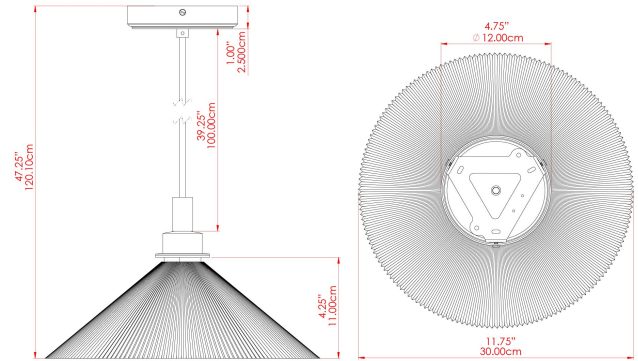


BECK Bathroom Pendant

MLBP017PCMBKCL Matt Black

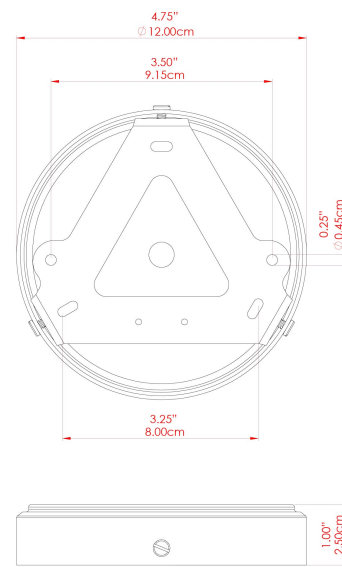


POWDER-COATED
MATTE BLACK



| | |
|---------------------------|---|
| MATERIAL | Brass Glass |
| HEIGHT | 9" |
| WIDTH DIAMETER | 11.75" |
| LENGTH PROJECTION | n/a |
| WEIGHT | 2 kg 4.3 lbs |
| LAMPHOLDER | E26 |
| MAX WATTAGE | 6.5W |
| VOLTAGE | 110/120v |
| ENVIRONMENTAL RATING | Wet Location (IP65) |
| CLASS PROTECTION | Class II |
| SHADE | GL028 GLWP01 |
| FLEX BAR CHAIN LENGTH | 40" |
| CABLE TYPE | MLOCA002 Black Fabric Braided Outdoor Rubber Cable 2 Core Round |

FIXING BRACKET: MLROSE39 | Matt Black



WWW.MULLANLIGHTING.COM

Product Notes:

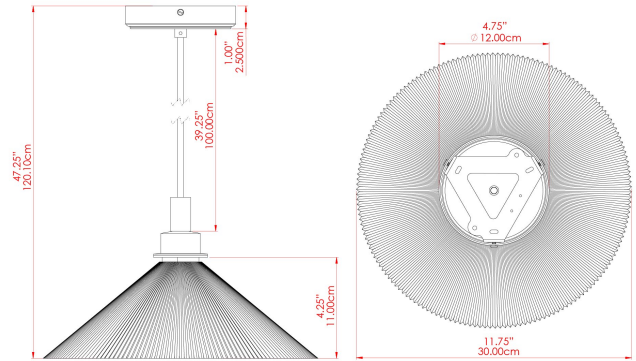
1) Bulbs not included. 2) Dimensions do not include bulbs. 3) All products are individually made-to-order and therefore may differ slightly within manufacturing tolerances. 4) Cable / chain can be shortened during installation. Longer cable / chain lengths available on request. 5) Additional color finishes may be available on request. 6) Twisted cable is not available for UL wired products. Round cable in black or brown only is supplied instead. 7) Refer to our website for a full list of terms and conditions.





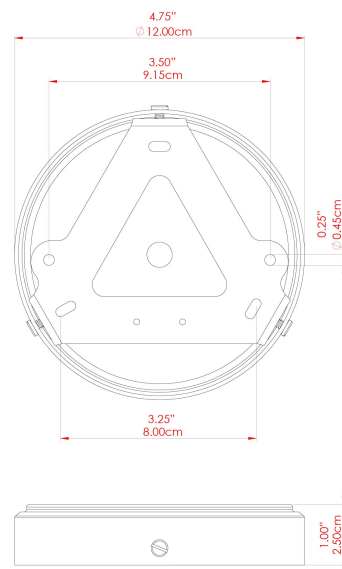
BECK Bathroom Pendant

MLBP017PCMBKOP Matt Black



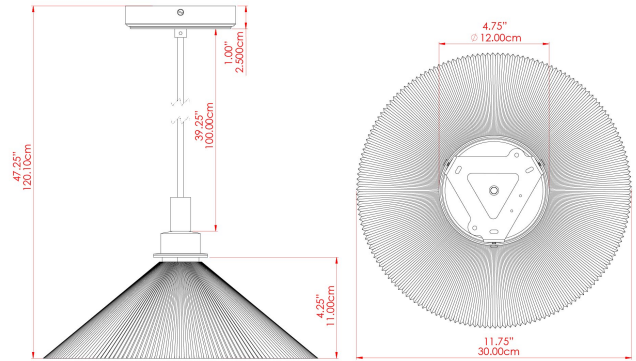
| | |
|---------------------------|---|
| MATERIAL | Brass Glass |
| HEIGHT | 9" |
| WIDTH DIAMETER | 11.75" |
| LENGTH PROJECTION | n/a |
| WEIGHT | 2 kg 4.3 lbs |
| LAMPHOLDER | E26 |
| MAX WATTAGE | 6.5W |
| VOLTAGE | 110/120v |
| ENVIRONMENTAL RATING | Wet Location (IP65) |
| CLASS PROTECTION | Class II |
| SHADE | GL028 GLWP02 |
| FLEX BAR CHAIN LENGTH | 40" |
| CABLE TYPE | MLOCA002 Black Fabric Braided Outdoor Rubber Cable 2 Core Round |

FIXING BRACKET: MLROSE39 | Matt Black



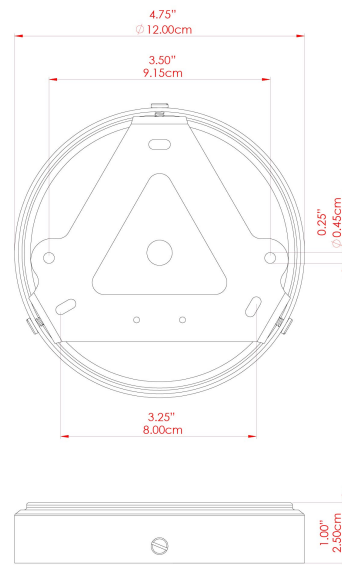
Product Notes:
 1) Bulbs not included. 2) Dimensions do not include bulbs. 3) All products are individually made-to-order and therefore may differ slightly within manufacturing tolerances. 4) Cable / chain can be shortened during installation. Longer cable / chain lengths available on request. 5) Additional color finishes may be available on request. 6) Twisted cable is not available for UL wired products. Round cable in black or brown only is supplied instead. 7) Refer to our website for a full list of terms and conditions.





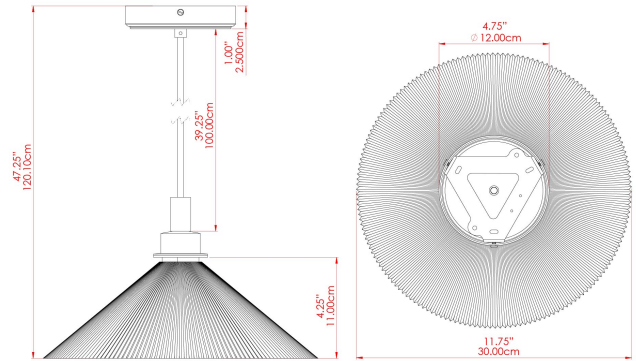
| | |
|---------------------------|---|
| MATERIAL | Brass Glass |
| HEIGHT | 9" |
| WIDTH DIAMETER | 11.75" |
| LENGTH PROJECTION | n/a |
| WEIGHT | 2 kg 4.3 lbs |
| LAMPHOLDER | E26 |
| MAX WATTAGE | 6.5W |
| VOLTAGE | 110/120v |
| ENVIRONMENTAL RATING | Wet Location (IP65) |
| CLASS PROTECTION | Class II |
| SHADE | GL028 GLWP01 |
| FLEX BAR CHAIN LENGTH | 40" |
| CABLE TYPE | MLOCA002 Black Fabric Braided Outdoor Rubber Cable 2 Core Round |

FIXING BRACKET: MLROSE39 | Natural Brass



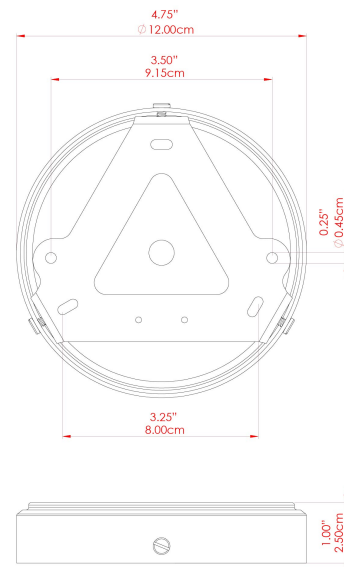
Product Notes:
 1) Bulbs not included. 2) Dimensions do not include bulbs. 3) All products are individually made-to-order and therefore may differ slightly within manufacturing tolerances. 4) Cable / chain can be shortened during installation. Longer cable / chain lengths available on request. 5) Additional color finishes may be available on request. 6) Twisted cable is not available for UL wired products. Round cable in black or brown only is supplied instead. 7) Refer to our website for a full list of terms and conditions.





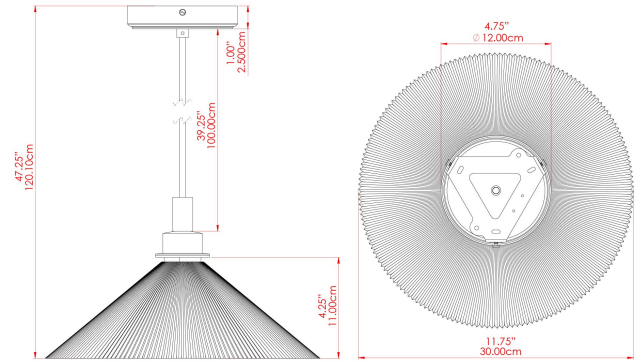
| | |
|---------------------------|---|
| MATERIAL | Brass Glass |
| HEIGHT | 9" |
| WIDTH DIAMETER | 11.75" |
| LENGTH PROJECTION | n/a |
| WEIGHT | 2 kg 4.3 lbs |
| LAMPHOLDER | E26 |
| MAX WATTAGE | 6.5W |
| VOLTAGE | 110/120v |
| ENVIRONMENTAL RATING | Wet Location (IP65) |
| CLASS PROTECTION | Class II |
| SHADE | GL028 GLWP02 |
| FLEX BAR CHAIN LENGTH | 40" |
| CABLE TYPE | MLOCA002 Black Fabric Braided Outdoor Rubber Cable 2 Core Round |

FIXING BRACKET: MLROSE39 | Natural Brass



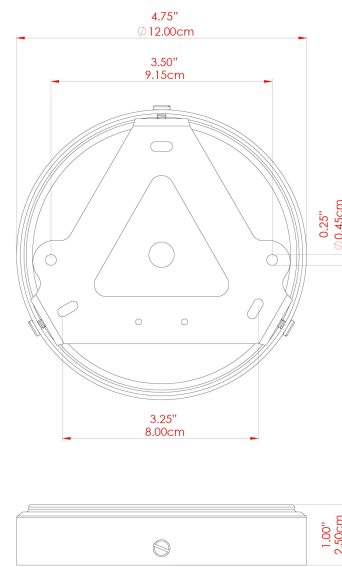
Product Notes:
 1) Bulbs not included. 2) Dimensions do not include bulbs. 3) All products are individually made-to-order and therefore may differ slightly within manufacturing tolerances. 4) Cable / chain can be shortened during installation. Longer cable / chain lengths available on request. 5) Additional color finishes may be available on request. 6) Twisted cable is not available for UL wired products. Round cable in black or brown only is supplied instead. 7) Refer to our website for a full list of terms and conditions.





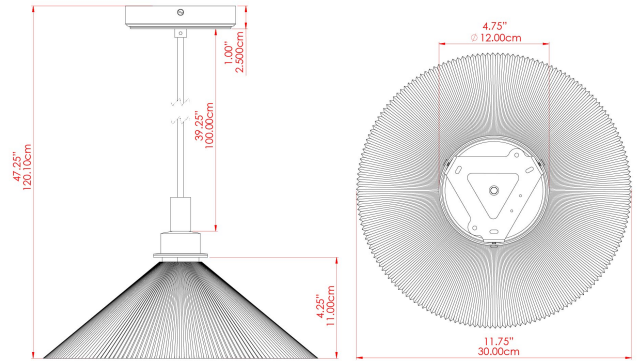
| | |
|---------------------------|---|
| MATERIAL | Brass Glass |
| HEIGHT | 9" |
| WIDTH DIAMETER | 11.75" |
| LENGTH PROJECTION | n/a |
| WEIGHT | 2 kg 4.3 lbs |
| LAMPHOLDER | E26 |
| MAX WATTAGE | 6.5W |
| VOLTAGE | 110/120v |
| ENVIRONMENTAL RATING | Wet Location (IP65) |
| CLASS PROTECTION | Class II |
| SHADE | GL028 GLWP01 |
| FLEX BAR CHAIN LENGTH | 40" |
| CABLE TYPE | MLOCA002 Black Fabric Braided Outdoor Rubber Cable 2 Core Round |

FIXING BRACKET: MLROSE39 | Polished Brass



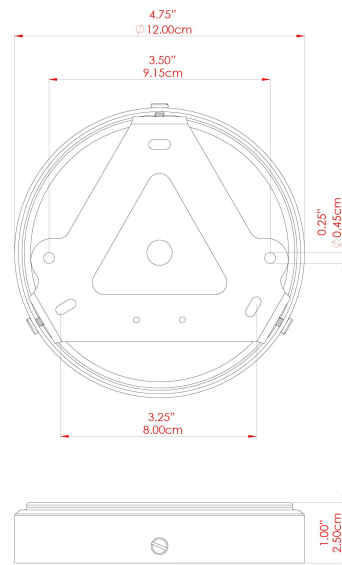
Product Notes:
 1) Bulbs not included. 2) Dimensions do not include bulbs. 3) All products are individually made-to-order and therefore may differ slightly within manufacturing tolerances. 4) Cable / chain can be shortened during installation. Longer cable / chain lengths available on request. 5) Additional color finishes may be available on request. 6) Twisted cable is not available for UL wired products. Round cable in black or brown only is supplied instead. 7) Refer to our website for a full list of terms and conditions.





| | |
|---------------------------|---|
| MATERIAL | Brass Glass |
| HEIGHT | 9" |
| WIDTH DIAMETER | 11.75" |
| LENGTH PROJECTION | n/a |
| WEIGHT | 2 kg 4.3 lbs |
| LAMPHOLDER | E26 |
| MAX WATTAGE | 6.5W |
| VOLTAGE | 110/120v |
| ENVIRONMENTAL RATING | Wet Location (IP65) |
| CLASS PROTECTION | Class II |
| SHADE | GL028 GLWP02 |
| FLEX BAR CHAIN LENGTH | 40" |
| CABLE TYPE | MLOCA002 Black Fabric Braided Outdoor Rubber Cable 2 Core Round |

FIXING BRACKET: MLROSE39 | Polished Brass



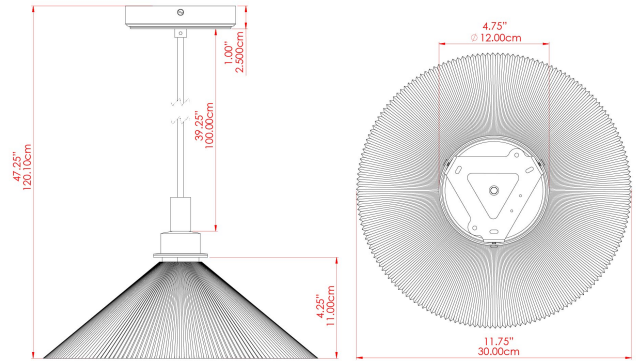
Product Notes:
 1) Bulbs not included. 2) Dimensions do not include bulbs. 3) All products are individually made-to-order and therefore may differ slightly within manufacturing tolerances. 4) Cable / chain can be shortened during installation. Longer cable / chain lengths available on request. 5) Additional color finishes may be available on request. 6) Twisted cable is not available for UL wired products. Round cable in black or brown only is supplied instead. 7) Refer to our website for a full list of terms and conditions.





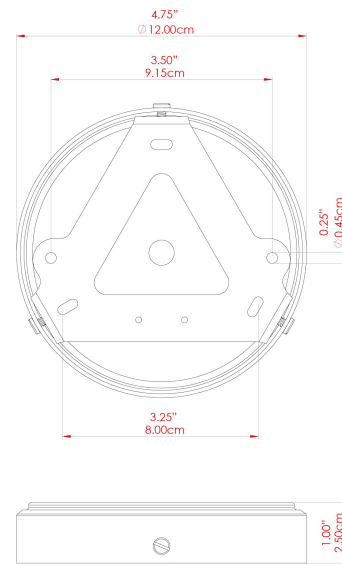
BECK Bathroom Pendant

MLBP017POLCHRCL Polished Chrome



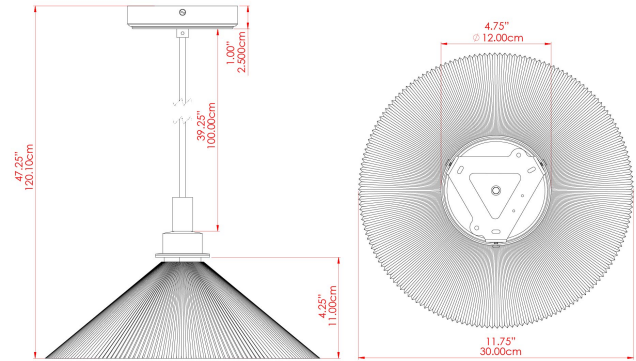
| | |
|---------------------------|---|
| MATERIAL | Brass Glass |
| HEIGHT | 9" |
| WIDTH DIAMETER | 11.75" |
| LENGTH PROJECTION | n/a |
| WEIGHT | 2 kg 4.3 lbs |
| LAMPHOLDER | E26 |
| MAX WATTAGE | 6.5W |
| VOLTAGE | 110/120v |
| ENVIRONMENTAL RATING | Wet Location (IP65) |
| CLASS PROTECTION | Class II |
| SHADE | GL028 GLWP01 |
| FLEX BAR CHAIN LENGTH | 40" |
| CABLE TYPE | MLOCA002 Black Fabric Braided Outdoor Rubber Cable 2 Core Round |

FIXING BRACKET: MLROSE39 | Polished Chrome



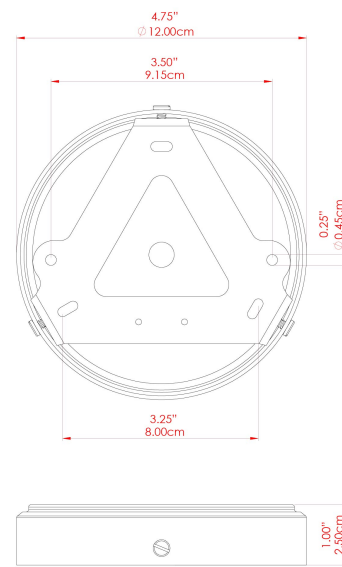
Product Notes:
 1) Bulbs not included. 2) Dimensions do not include bulbs. 3) All products are individually made-to-order and therefore may differ slightly within manufacturing tolerances. 4) Cable / chain can be shortened during installation. Longer cable / chain lengths available on request. 5) Additional color finishes may be available on request. 6) Twisted cable is not available for UL wired products. Round cable in black or brown only is supplied instead. 7) Refer to our website for a full list of terms and conditions.





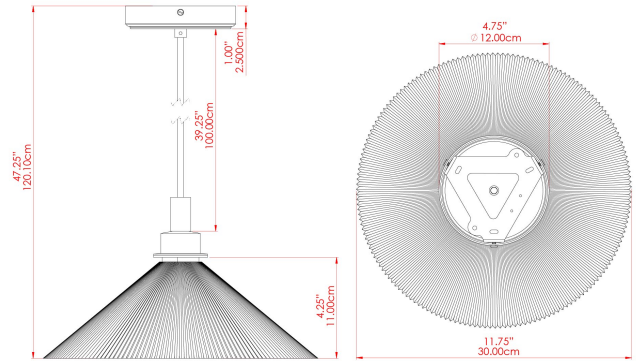
| | |
|---------------------------|---|
| MATERIAL | Brass Glass |
| HEIGHT | 9" |
| WIDTH DIAMETER | 11.75" |
| LENGTH PROJECTION | n/a |
| WEIGHT | 2 kg 4.3 lbs |
| LAMPHOLDER | E26 |
| MAX WATTAGE | 6.5W |
| VOLTAGE | 110/120v |
| ENVIRONMENTAL RATING | Wet Location (IP65) |
| CLASS PROTECTION | Class II |
| SHADE | GL028 GLWP02 |
| FLEX BAR CHAIN LENGTH | 40" |
| CABLE TYPE | MLOCA002 Black Fabric Braided Outdoor Rubber Cable 2 Core Round |

FIXING BRACKET: MLROSE39 | Polished Chrome



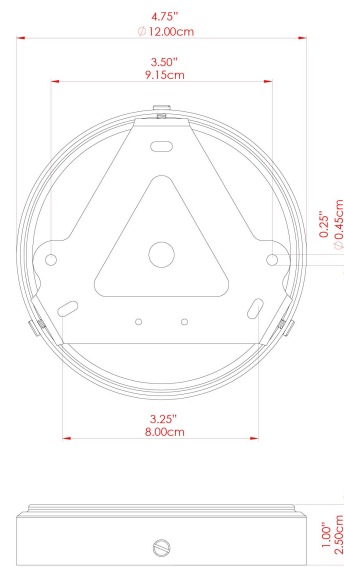
Product Notes:
 1) Bulbs not included. 2) Dimensions do not include bulbs. 3) All products are individually made-to-order and therefore may differ slightly within manufacturing tolerances. 4) Cable / chain can be shortened during installation. Longer cable / chain lengths available on request. 5) Additional color finishes may be available on request. 6) Twisted cable is not available for UL wired products. Round cable in black or brown only is supplied instead. 7) Refer to our website for a full list of terms and conditions.





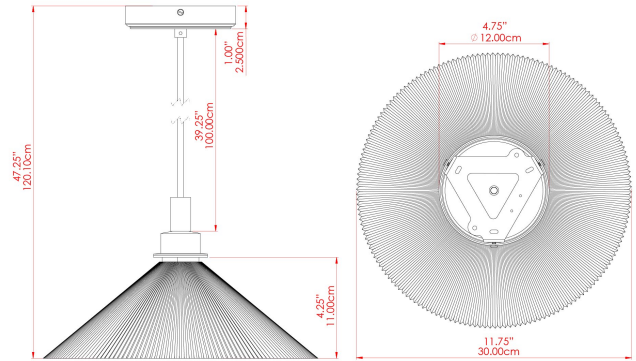
| | |
|---------------------------|---|
| MATERIAL | Brass Glass |
| HEIGHT | 9" |
| WIDTH DIAMETER | 11.75" |
| LENGTH PROJECTION | n/a |
| WEIGHT | 2 kg 4.3 lbs |
| LAMPHOLDER | E26 |
| MAX WATTAGE | 6.5W |
| VOLTAGE | 110/120v |
| ENVIRONMENTAL RATING | Wet Location (IP65) |
| CLASS PROTECTION | Class II |
| SHADE | GL028 GLWP01 |
| FLEX BAR CHAIN LENGTH | 40" |
| CABLE TYPE | MLOCA002 Black Fabric Braided Outdoor Rubber Cable 2 Core Round |

FIXING BRACKET: MLROSE39 | Satin Brass



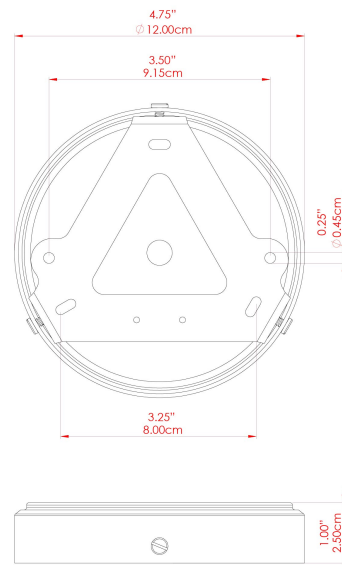
Product Notes:
 1) Bulbs not included. 2) Dimensions do not include bulbs. 3) All products are individually made-to-order and therefore may differ slightly within manufacturing tolerances. 4) Cable / chain can be shortened during installation. Longer cable / chain lengths available on request. 5) Additional color finishes may be available on request. 6) Twisted cable is not available for UL wired products. Round cable in black or brown only is supplied instead. 7) Refer to our website for a full list of terms and conditions.





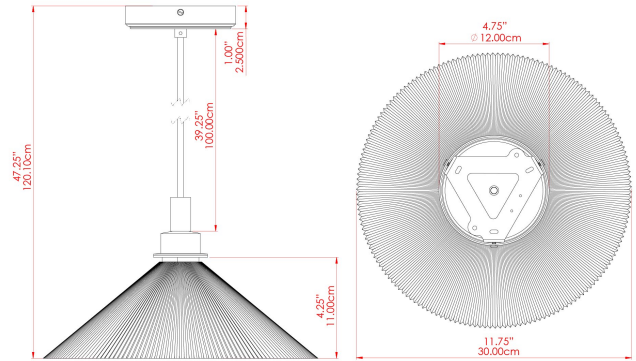
| | |
|---------------------------|---|
| MATERIAL | Brass Glass |
| HEIGHT | 9" |
| WIDTH DIAMETER | 11.75" |
| LENGTH PROJECTION | n/a |
| WEIGHT | 2 kg 4.3 lbs |
| LAMPHOLDER | E26 |
| MAX WATTAGE | 6.5W |
| VOLTAGE | 110/120v |
| ENVIRONMENTAL RATING | Wet Location (IP65) |
| CLASS PROTECTION | Class II |
| SHADE | GL028 GLWP02 |
| FLEX BAR CHAIN LENGTH | 40" |
| CABLE TYPE | MLOCA002 Black Fabric Braided Outdoor Rubber Cable 2 Core Round |

FIXING BRACKET: MLROSE39 | Satin Brass



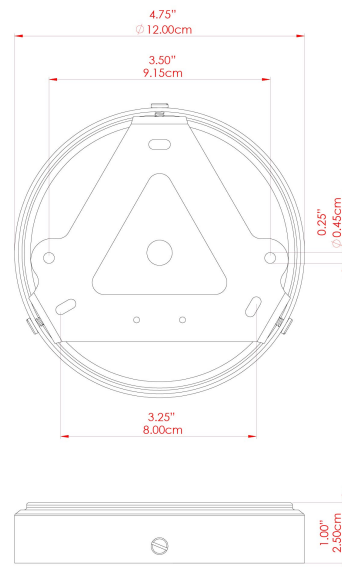
Product Notes:
 1) Bulbs not included. 2) Dimensions do not include bulbs. 3) All products are individually made-to-order and therefore may differ slightly within manufacturing tolerances. 4) Cable / chain can be shortened during installation. Longer cable / chain lengths available on request. 5) Additional color finishes may be available on request. 6) Twisted cable is not available for UL wired products. Round cable in black or brown only is supplied instead. 7) Refer to our website for a full list of terms and conditions.





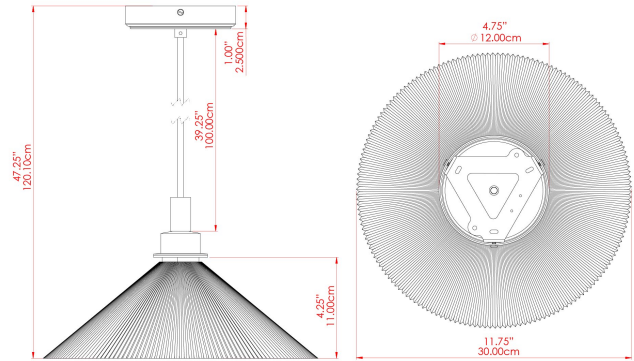
| | |
|---------------------------|---|
| MATERIAL | Brass Glass |
| HEIGHT | 9" |
| WIDTH DIAMETER | 11.75" |
| LENGTH PROJECTION | n/a |
| WEIGHT | 2 kg 4.3 lbs |
| LAMPHOLDER | E26 |
| MAX WATTAGE | 6.5W |
| VOLTAGE | 110/120v |
| ENVIRONMENTAL RATING | Wet Location (IP65) |
| CLASS PROTECTION | Class II |
| SHADE | GL028 GLWP01 |
| FLEX BAR CHAIN LENGTH | 40" |
| CABLE TYPE | MLOCA002 Black Fabric Braided Outdoor Rubber Cable 2 Core Round |

FIXING BRACKET: MLROSE39 | White



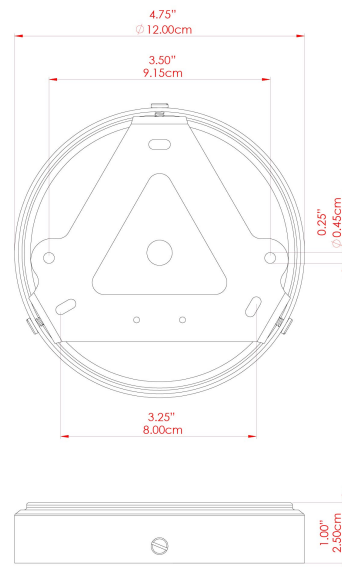
Product Notes:
 1) Bulbs not included. 2) Dimensions do not include bulbs. 3) All products are individually made-to-order and therefore may differ slightly within manufacturing tolerances. 4) Cable / chain can be shortened during installation. Longer cable / chain lengths available on request. 5) Additional color finishes may be available on request. 6) Twisted cable is not available for UL wired products. Round cable in black or brown only is supplied instead. 7) Refer to our website for a full list of terms and conditions.





| | |
|---------------------------|---|
| MATERIAL | Brass Glass |
| HEIGHT | 9" |
| WIDTH DIAMETER | 11.75" |
| LENGTH PROJECTION | n/a |
| WEIGHT | 2 kg 4.3 lbs |
| LAMPHOLDER | E26 |
| MAX WATTAGE | 6.5W |
| VOLTAGE | 110/120v |
| ENVIRONMENTAL RATING | Wet Location (IP65) |
| CLASS PROTECTION | Class II |
| SHADE | GL028 GLWP02 |
| FLEX BAR CHAIN LENGTH | 40" |
| CABLE TYPE | MLOCA002 Black Fabric Braided Outdoor Rubber Cable 2 Core Round |

FIXING BRACKET: MLROSE39 | White



Product Notes:
 1) Bulbs not included. 2) Dimensions do not include bulbs. 3) All products are individually made-to-order and therefore may differ slightly within manufacturing tolerances. 4) Cable / chain can be shortened during installation. Longer cable / chain lengths available on request. 5) Additional color finishes may be available on request. 6) Twisted cable is not available for UL wired products. Round cable in black or brown only is supplied instead. 7) Refer to our website for a full list of terms and conditions.

