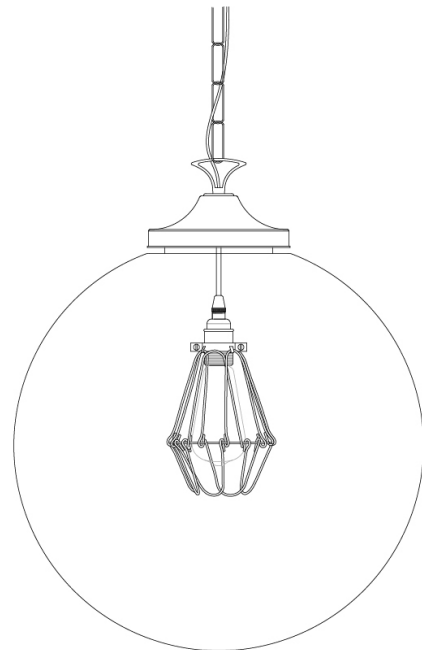




ROBYN 35CM Pendant

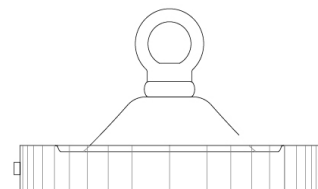
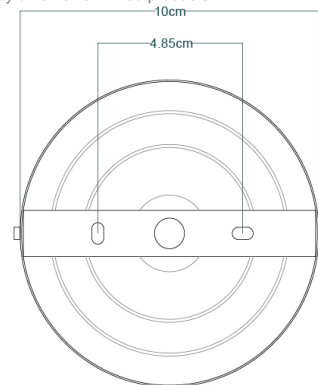
MLP366ANTBRS Antique Brass



MATERIAL	Brass Steel Glass
HEIGHT	40cm 15.75"
WIDTH DIAMETER	35cm 13.78"
LENGTH PROJECTION	n/a
WEIGHT	2.3KG 5.07lbs
LAMP HOLDER	E27 or E26 *
MAX WATTAGE	60W x 1
VOLTAGE	220/240v or 110/120v *
IP RATING	20
CLASS PROTECTION	I
SHADE CODE	GL137
CABLE CHAIN BAR LENGT	100cm 40"
CABLE TYPE	MLCA007 3 Core Twist Brown Braid PVC

Fixing Bracket MLROSE05HOOK | Antique Brass

* Fixing bracket may differ for UL wired products.



www.mullanlighting.com

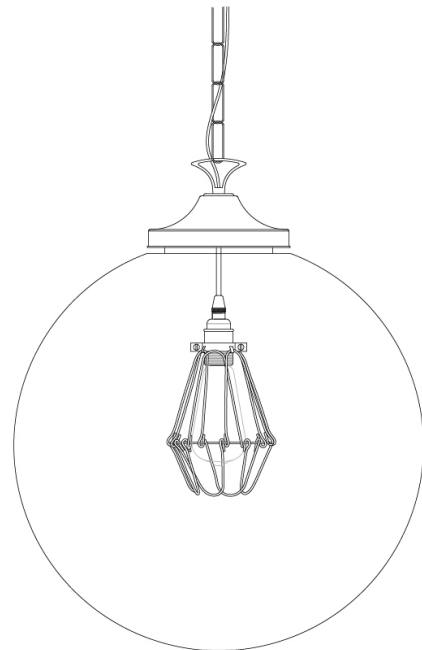
Product Notes:

1) Bulbs not included. 2) Dimensions do not include bulbs. 3) All products are individually made-to-order and therefore may differ slightly within manufacturing tolerances. 4) Cable / chain can be shortened during installation. Longer cable / chain lengths available on request. 5) Additional colour finishes may be available on request. 6) UL wired products operate at 110/120v with the appropriate lamp holder. 7) Twisted cable is not available for UL wired products. Round cable in black or brown only is supplied instead. 8) Refer to our website for a full list of terms and conditions.



ROBYN 35CM Pendant

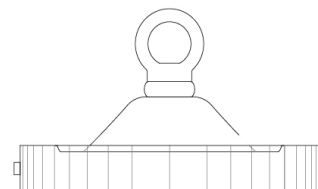
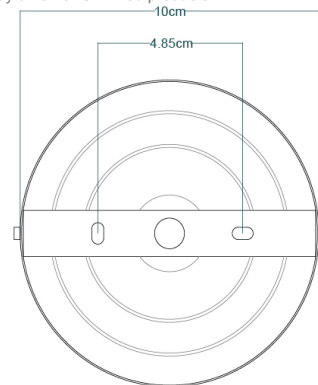
MLP366ANTSLV Antique Silver



MATERIAL	Brass Steel Glass
HEIGHT	40cm 15.75"
WIDTH DIAMETER	35cm 13.78"
LENGTH PROJECTION	n/a
WEIGHT	2.3KG 5.07lbs
LAMP HOLDER	E27 or E26 *
MAX WATTAGE	60W x 1
VOLTAGE	220/240v or 110/120v *
IP RATING	20
CLASS PROTECTION	I
SHADE CODE	GL137
CABLE CHAIN BAR LENGT	100cm 40"
CABLE TYPE	MLCA020 3 Core Twist Black Braid PVC

Fixing Bracket MLROSE05HOOK | Antique Silver

* Fixing bracket may differ for UL wired products.

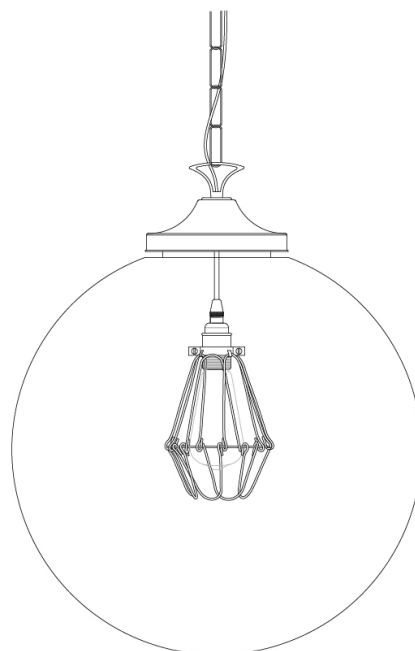


Product Notes:

1) Bulbs not included. 2) Dimensions do not include bulbs. 3) All products are individually made-to-order and therefore may differ slightly within manufacturing tolerances. 4) Cable / chain can be shortened during installation. Longer cable / chain lengths available on request. 5) Additional colour finishes may be available on request. 6) UL wired products operate at 110/120v with the appropriate lamp holder. 7) Twisted cable is not available for UL wired products. Round cable in black or brown only is supplied instead. 8) Refer to our website for a full list of terms and conditions.

ROBYN 35CM Pendant

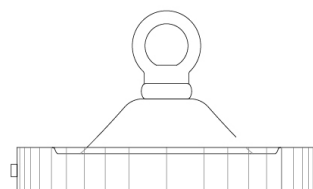
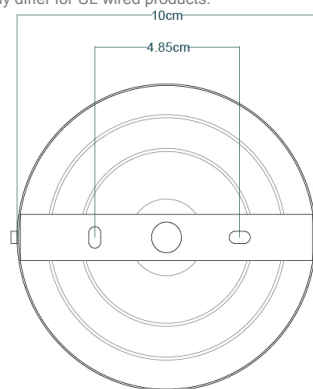
MLP366POLCHR Polished Chrome



MATERIAL	Brass Steel Glass
HEIGHT	40cm 15.75"
WIDTH DIAMETER	35cm 13.78"
LENGTH PROJECTION	n/a
WEIGHT	2.3KG 5.07lbs
LAMP HOLDER	E27 or E26 *
MAX WATTAGE	60W x 1
VOLTAGE	220/240v or 110/120v *
IP RATING	20
CLASS PROTECTION	I
SHADE CODE	GL137
CABLE CHAIN BAR LENGT	100cm 40"
CABLE TYPE	MLCA020 3 Core Twist Black Braid PVC

Fixing Bracket MLROSE05HOOK | Polished Chrome

* Fixing bracket may differ for UL wired products.

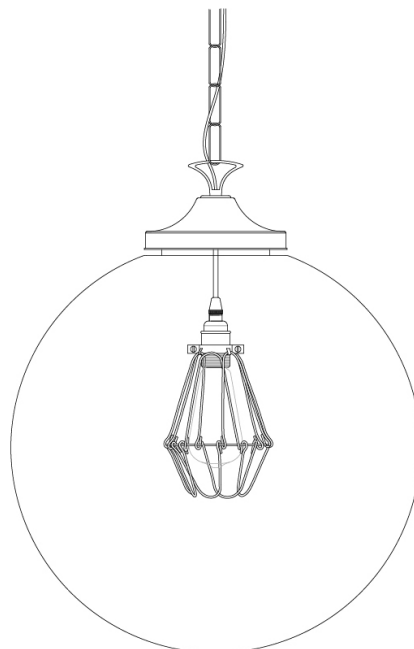


Product Notes:

1) Bulbs not included. 2) Dimensions do not include bulbs. 3) All products are individually made-to-order and therefore may differ slightly within manufacturing tolerances. 4) Cable / chain can be shortened during installation. Longer cable / chain lengths available on request. 5) Additional colour finishes may be available on request. 6) UL wired products operate at 110/120v with the appropriate lamp holder. 7) Twisted cable is not available for UL wired products. Round cable in black or brown only is supplied instead. 8) Refer to our website for a full list of terms and conditions.

ROBYN 35CM Pendant

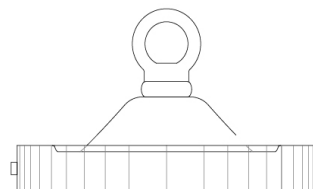
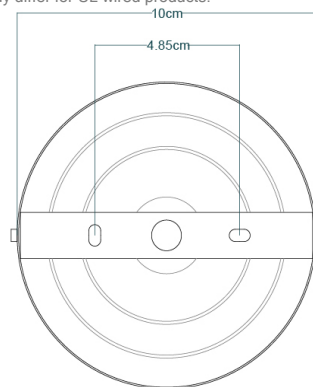
MLP366SATCHR Satin Chrome



MATERIAL	Brass Steel Glass
HEIGHT	40cm 15.75"
WIDTH DIAMETER	35cm 13.78"
LENGTH PROJECTION	n/a
WEIGHT	2.3KG 5.07lbs
LAMP HOLDER	E27 or E26 *
MAX WATTAGE	60W x 1
VOLTAGE	220/240v or 110/120v *
IP RATING	20
CLASS PROTECTION	I
SHADE CODE	GL137
CABLE CHAIN BAR LENGT	100cm 40"
CABLE TYPE	MLCA020 3 Core Twist Black Braid PVC

Fixing Bracket MLROSE05HOOK | Satin Chrome

* Fixing bracket may differ for UL wired products.



Product Notes:

1) Bulbs not included. 2) Dimensions do not include bulbs. 3) All products are individually made-to-order and therefore may differ slightly within manufacturing tolerances. 4) Cable / chain can be shortened during installation. Longer cable / chain lengths available on request. 5) Additional colour finishes may be available on request. 6) UL wired products operate at 110/120v with the appropriate lamp holder. 7) Twisted cable is not available for UL wired products. Round cable in black or brown only is supplied instead. 8) Refer to our website for a full list of terms and conditions.