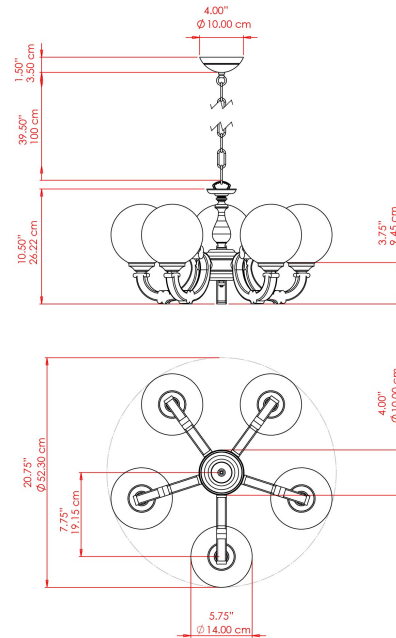


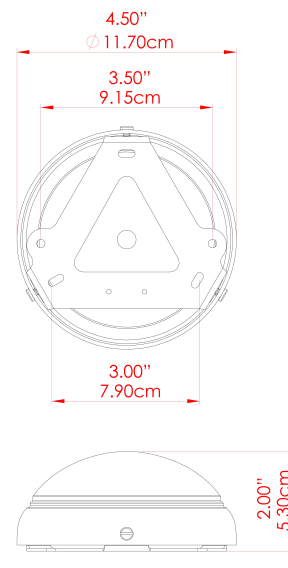
BEN Chandelier

MLF025ANTBRS Antique Brass



MATERIAL	Brass Glass
HEIGHT	9"
WIDTH DIAMETER	19.75"
LENGTH PROJECTION	n/a
WEIGHT	5.6 kg 12.3 lbs
LAMPHOLDER	G9
MAX WATTAGE	6.5W
VOLTAGE	110/120v
ENVIRONMENTAL RATING	Dry Location (IP20)
CLASS PROTECTION	Class I
SHADE	GL044F x 5
FLEX BAR CHAIN LENGTH	40"
CABLE TYPE	

FIXING BRACKET: MLWB11 | Antique Brass

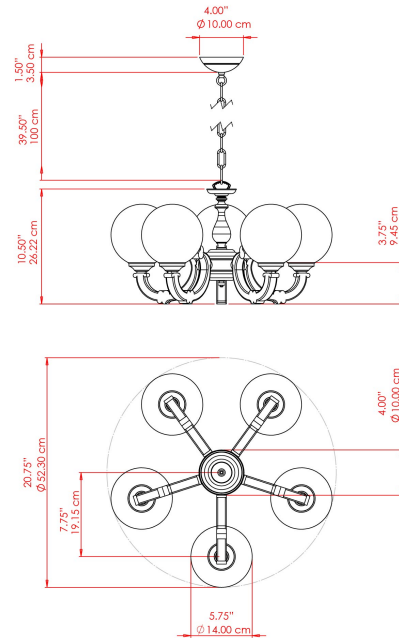


Product Notes:
 1) Bulbs not included. 2) Dimensions do not include bulbs. 3) All products are individually made-to-order and therefore may differ slightly within manufacturing tolerances. 4) Cable / chain can be shortened during installation. Longer cable / chain lengths available on request. 5) Additional color finishes may be available on request. 6) Twisted cable is not available for UL wired products. Round cable in black or brown only is supplied instead. 7) Refer to our website for a full list of terms and conditions.



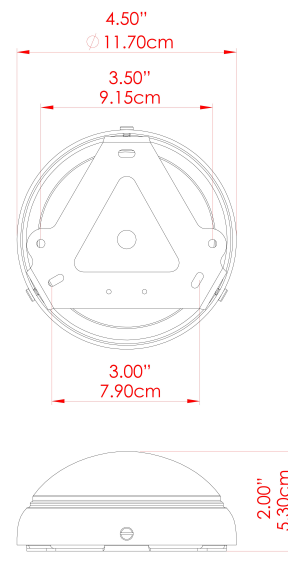
BEN Chandelier

MLF025ANTSLV Antique Silver



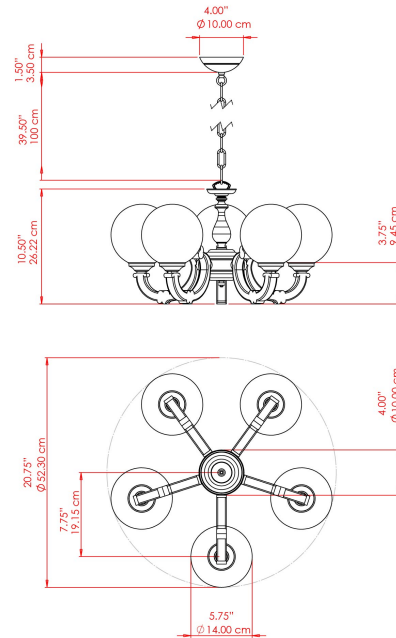
MATERIAL	Brass Glass
HEIGHT	9"
WIDTH DIAMETER	19.75"
LENGTH PROJECTION	n/a
WEIGHT	5.6 kg 12.3 lbs
LAMPHOLDER	G9
MAX WATTAGE	6.5W
VOLTAGE	110/120v
ENVIRONMENTAL RATING	Dry Location (IP20)
CLASS PROTECTION	Class I
SHADE	GL044F x 5
FLEX BAR CHAIN LENGTH	40"
CABLE TYPE	

FIXING BRACKET: MLWB11 | Antique Silver



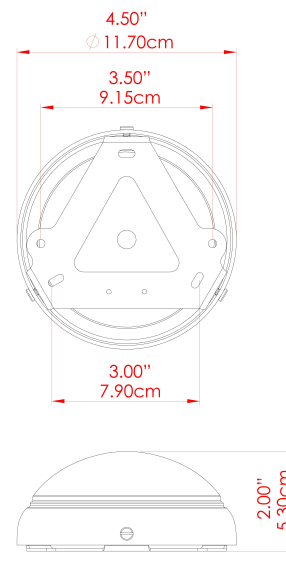
BEN Chandelier

MLF025POLBRS Polished Brass



MATERIAL	Brass Glass
HEIGHT	9"
WIDTH DIAMETER	19.75"
LENGTH PROJECTION	n/a
WEIGHT	5.6 kg 12.3 lbs
LAMPHOLDER	G9
MAX WATTAGE	6.5W
VOLTAGE	110/120v
ENVIRONMENTAL RATING	Dry Location (IP20)
CLASS PROTECTION	Class I
SHADE	GL044F x 5
FLEX BAR CHAIN LENGTH	40"
CABLE TYPE	

FIXING BRACKET: MLWB11 | Polished Brass

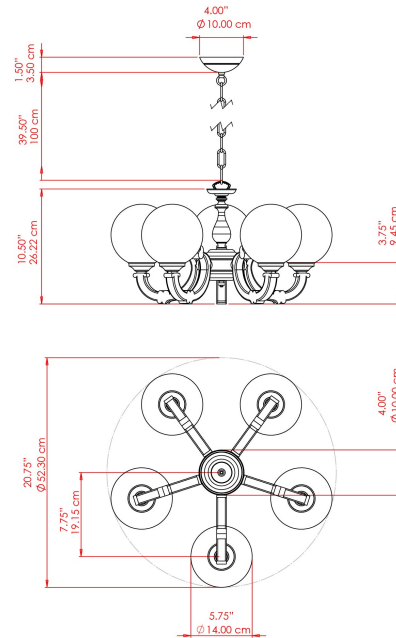


Product Notes:
 1) Bulbs not included. 2) Dimensions do not include bulbs. 3) All products are individually made-to-order and therefore may differ slightly within manufacturing tolerances. 4) Cable / chain can be shortened during installation. Longer cable / chain lengths available on request. 5) Additional color finishes may be available on request. 6) Twisted cable is not available for UL wired products. Round cable in black or brown only is supplied instead. 7) Refer to our website for a full list of terms and conditions.



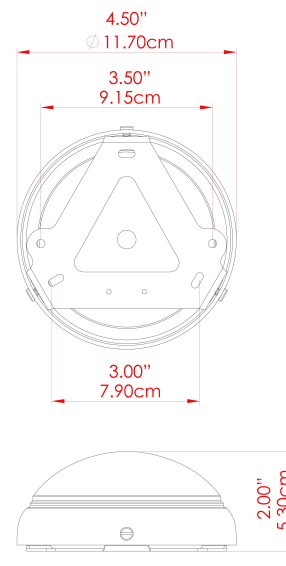
BEN Chandelier

MLF025SATBRS Satin Brass



MATERIAL	Brass Glass
HEIGHT	9"
WIDTH DIAMETER	19.75"
LENGTH PROJECTION	n/a
WEIGHT	5.6 kg 12.3 lbs
LAMPHOLDER	G9
MAX WATTAGE	6.5W
VOLTAGE	110/120v
ENVIRONMENTAL RATING	Dry Location (IP20)
CLASS PROTECTION	Class I
SHADE	GL044F x 5
FLEX BAR CHAIN LENGTH	40"
CABLE TYPE	

FIXING BRACKET: MLWB11 | Satin Brass



Product Notes:
 1) Bulbs not included. 2) Dimensions do not include bulbs. 3) All products are individually made-to-order and therefore may differ slightly within manufacturing tolerances. 4) Cable / chain can be shortened during installation. Longer cable / chain lengths available on request. 5) Additional color finishes may be available on request. 6) Twisted cable is not available for UL wired products. Round cable in black or brown only is supplied instead. 7) Refer to our website for a full list of terms and conditions.

