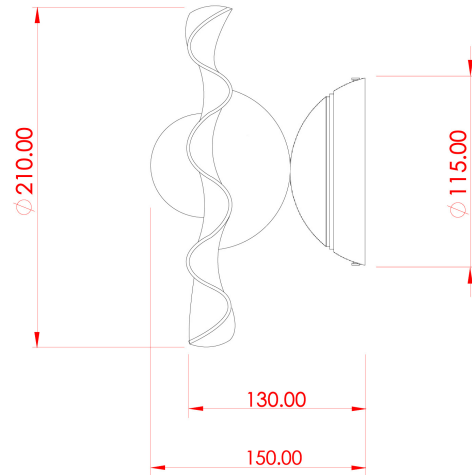


RIVALE Ceramic Wall Light

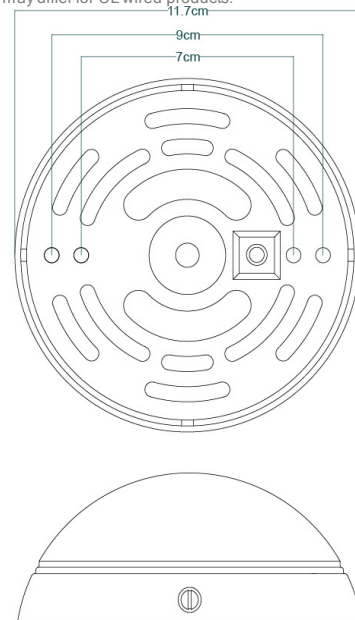
MLCMWL032ANTBRSC L Antiqu e Brass



| | |
|---------------------------|------------------------|
| MATERIAL | Brass Ceramic |
| HEIGHT | n/a |
| WIDTH DIAMETER | 21cm 8.27" |
| LENGTH PROJECTION | 13cm 5.12" |
| WEIGHT | 0.7KG 1.54lbs |
| LAMP HOLDER | G9 |
| MAX WATTAGE | 5W x 1 |
| VOLTAGE | 220/240v or 110/120v * |
| IP RATING | 20 |
| CLASS PROTECTION | I |
| SHADE CODE | GL196 |
| CABLE CHAIN BAR LENGT | n/a |
| CABLE TYPE | - |

Fixing Bracket MLWB11

* Fixing bracket may differ for UL wired products.

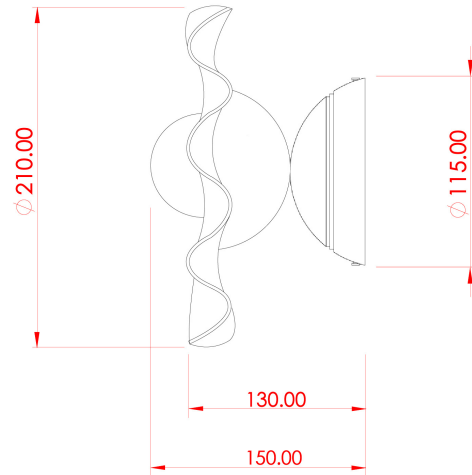


Product Notes:

1) Bulbs not included. 2) Dimensions do not include bulbs. 3) All products are individually made-to-order and therefore may differ slightly within manufacturing tolerances. 4) Cable / chain can be shortened during installation. Longer cable / chain lengths available on request. 5) Additional colour finishes may be available on request. 6) UL wired products operate at 110/120v with the appropriate lamp holder. 7) Twisted cable is not available for UL wired products. Round cable in black or brown only is supplied instead. 8) Refer to our website for a full list of terms and conditions.

RIVALE Ceramic Wall Light

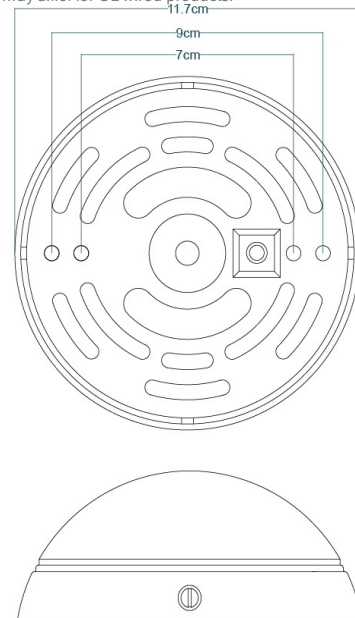
MLCMWL032ANTBRSFR Antique Brass



| | |
|---------------------------|-----------------------|
| MATERIAL | Brass Ceramic |
| HEIGHT | n/a |
| WIDTH DIAMETER | 21cm 8.27" |
| LENGTH PROJECTION | 13cm 5.12" |
| WEIGHT | 0.7KG 1.54lbs |
| LAMP HOLDER | G9 |
| MAX WATTAGE | 5W x 1 |
| VOLTAGE | 220/240v or 110/120v* |
| IP RATING | 20 |
| CLASS PROTECTION | I |
| SHADE CODE | GL208 |
| CABLE CHAIN BAR LENGT | n/a |
| CABLE TYPE | - |

Fixing Bracket MLWB11

* Fixing bracket may differ for UL wired products.

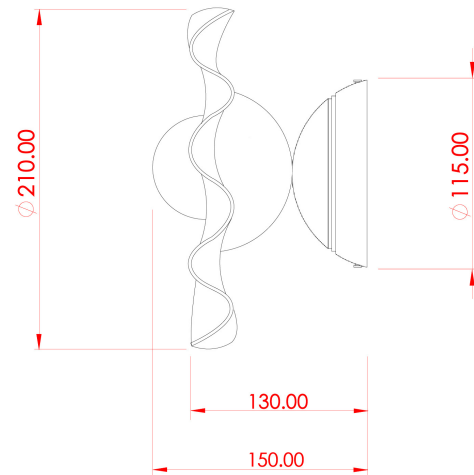


Product Notes:

1) Bulbs not included. 2) Dimensions do not include bulbs. 3) All products are individually made-to-order and therefore may differ slightly within manufacturing tolerances. 4) Cable / chain can be shortened during installation. Longer cable / chain lengths available on request. 5) Additional colour finishes may be available on request. 6) UL wired products operate at 110/120v with the appropriate lamp holder. 7) Twisted cable is not available for UL wired products. Round cable in black or brown only is supplied instead. 8) Refer to our website for a full list of terms and conditions.

RIVALE Ceramic Wall Light

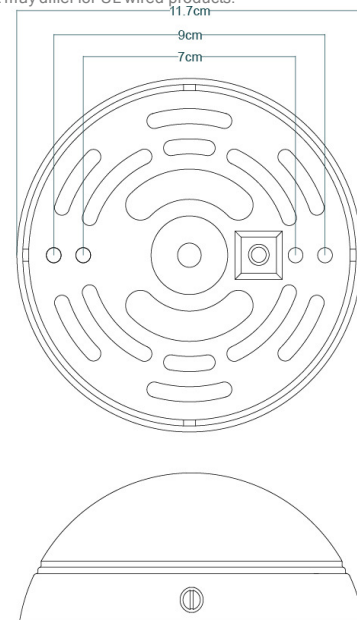
MLCMWL032ANTBRSOP Antique Brass



| | |
|---------------------------|-----------------------|
| MATERIAL | Brass Ceramic |
| HEIGHT | n/a |
| WIDTH DIAMETER | 21cm 8.27" |
| LENGTH PROJECTION | 13cm 5.12" |
| WEIGHT | 0.7KG 1.54lbs |
| LAMP HOLDER | G9 |
| MAX WATTAGE | 5W x 1 |
| VOLTAGE | 220/240v or 110/120v* |
| IP RATING | 20 |
| CLASS PROTECTION | I |
| SHADE CODE | GL192 |
| CABLE CHAIN BAR LENGT | n/a |
| CABLE TYPE | - |

Fixing Bracket MLWB11

* Fixing bracket may differ for UL wired products.

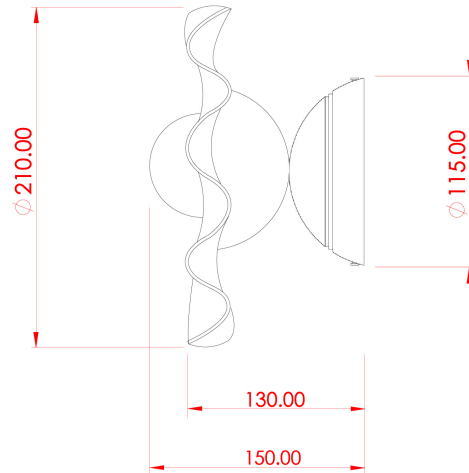


Product Notes:

1) Bulbs not included. 2) Dimensions do not include bulbs. 3) All products are individually made-to-order and therefore may differ slightly within manufacturing tolerances. 4) Cable / chain can be shortened during installation. Longer cable / chain lengths available on request. 5) Additional colour finishes may be available on request. 6) UL wired products operate at 110/120v with the appropriate lamp holder. 7) Twisted cable is not available for UL wired products. Round cable in black or brown only is supplied instead. 8) Refer to our website for a full list of terms and conditions.

RIVALE Ceramic Wall Light

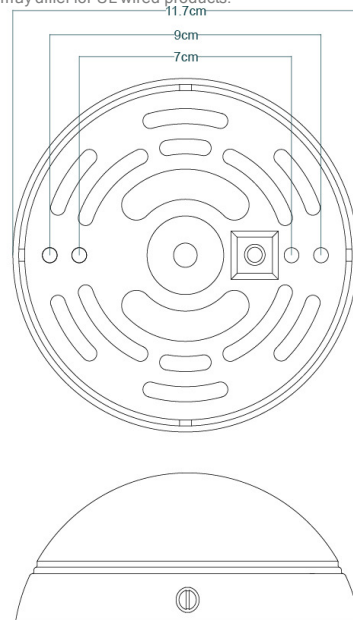
MLCMWL032ANTSLVCL Antique Silver



| | |
|---------------------------|-----------------------|
| MATERIAL | Brass Ceramic |
| HEIGHT | n/a |
| WIDTH DIAMETER | 21cm 8.27" |
| LENGTH PROJECTION | 13cm 5.12" |
| WEIGHT | 0.7KG 1.54lbs |
| LAMP HOLDER | G9 |
| MAX WATTAGE | 5W x 1 |
| VOLTAGE | 220/240v or 110/120v* |
| IP RATING | 20 |
| CLASS PROTECTION | I |
| SHADE CODE | GL196 |
| CABLE CHAIN BAR LENGT | n/a |
| CABLE TYPE | - |

Fixing Bracket MLWB11

* Fixing bracket may differ for UL wired products.

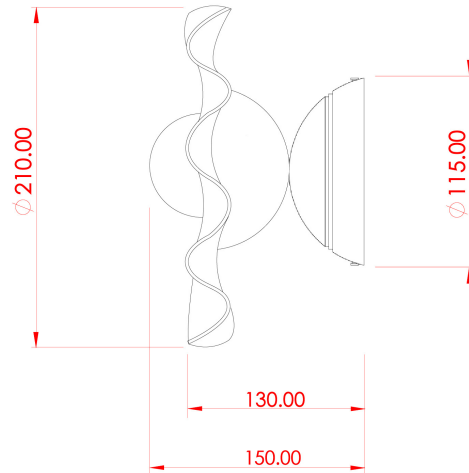


Product Notes:

1) Bulbs not included. 2) Dimensions do not include bulbs. 3) All products are individually made-to-order and therefore may differ slightly within manufacturing tolerances. 4) Cable / chain can be shortened during installation. Longer cable / chain lengths available on request. 5) Additional colour finishes may be available on request. 6) UL wired products operate at 110/120v with the appropriate lamp holder. 7) Twisted cable is not available for UL wired products. Round cable in black or brown only is supplied instead. 8) Refer to our website for a full list of terms and conditions.

RIVALE Ceramic Wall Light

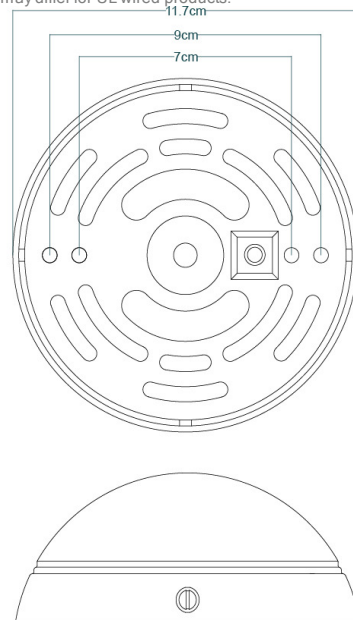
MLCMWL032ANTSLVFR Antique Silver



| | |
|---------------------------|-----------------------|
| MATERIAL | Brass Ceramic |
| HEIGHT | n/a |
| WIDTH DIAMETER | 21cm 8.27" |
| LENGTH PROJECTION | 13cm 5.12" |
| WEIGHT | 0.7KG 1.54lbs |
| LAMP HOLDER | G9 |
| MAX WATTAGE | 5W x 1 |
| VOLTAGE | 220/240v or 110/120v* |
| IP RATING | 20 |
| CLASS PROTECTION | I |
| SHADE CODE | GL208 |
| CABLE CHAIN BAR LENGT | n/a |
| CABLE TYPE | - |

Fixing Bracket MLWB11

* Fixing bracket may differ for UL wired products.

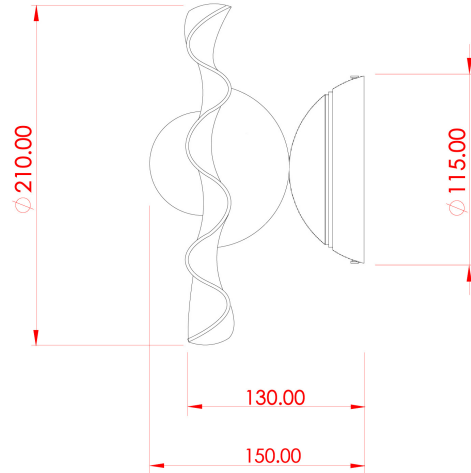


Product Notes:

1) Bulbs not included. 2) Dimensions do not include bulbs. 3) All products are individually made-to-order and therefore may differ slightly within manufacturing tolerances. 4) Cable / chain can be shortened during installation. Longer cable / chain lengths available on request. 5) Additional colour finishes may be available on request. 6) UL wired products operate at 110/120v with the appropriate lamp holder. 7) Twisted cable is not available for UL wired products. Round cable in black or brown only is supplied instead. 8) Refer to our website for a full list of terms and conditions.

RIVALE Ceramic Wall Light

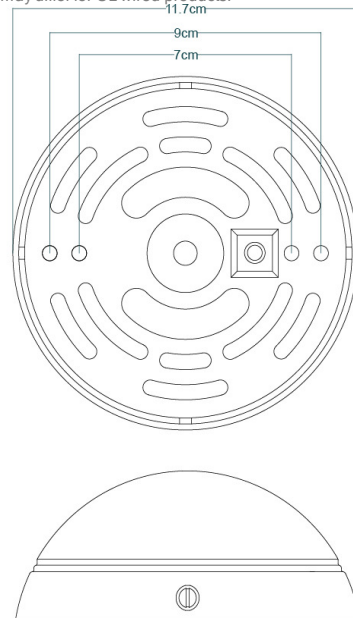
MLCMWL032ANTSLVOP Antique Silver



| | |
|---------------------------|------------------------|
| MATERIAL | Brass Ceramic |
| HEIGHT | n/a |
| WIDTH DIAMETER | 21cm 8.27" |
| LENGTH PROJECTION | 13cm 5.12" |
| WEIGHT | 0.7KG 1.54lbs |
| LAMP HOLDER | G9 |
| MAX WATTAGE | 5W x 1 |
| VOLTAGE | 220/240v or 110/120v * |
| IP RATING | 20 |
| CLASS PROTECTION | I |
| SHADE CODE | GL192 |
| CABLE CHAIN BAR LENGT | n/a |
| CABLE TYPE | - |

Fixing Bracket MLWB11

* Fixing bracket may differ for UL wired products.

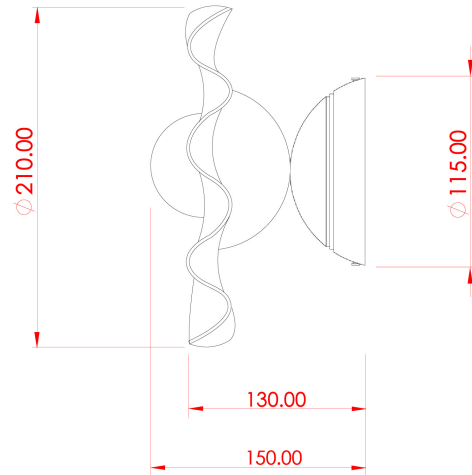


Product Notes:

1) Bulbs not included. 2) Dimensions do not include bulbs. 3) All products are individually made-to-order and therefore may differ slightly within manufacturing tolerances. 4) Cable / chain can be shortened during installation. Longer cable / chain lengths available on request. 5) Additional colour finishes may be available on request. 6) UL wired products operate at 110/120v with the appropriate lamp holder. 7) Twisted cable is not available for UL wired products. Round cable in black or brown only is supplied instead. 8) Refer to our website for a full list of terms and conditions.

RIVALE Ceramic Wall Light

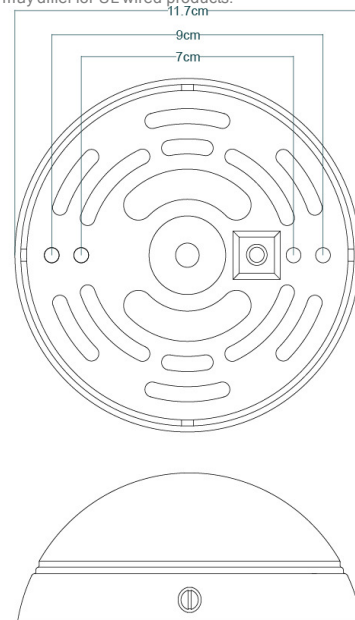
MLCMWL032PCMBKCL Matt Black



| | |
|---------------------------|-----------------------|
| MATERIAL | Brass Ceramic |
| HEIGHT | n/a |
| WIDTH DIAMETER | 21cm 8.27" |
| LENGTH PROJECTION | 13cm 5.12" |
| WEIGHT | 0.7KG 1.54lbs |
| LAMP HOLDER | G9 |
| MAX WATTAGE | 5W x 1 |
| VOLTAGE | 220/240v or 110/120v* |
| IP RATING | 20 |
| CLASS PROTECTION | I |
| SHADE CODE | GL196 |
| CABLE CHAIN BAR LENGT | n/a |
| CABLE TYPE | - |

Fixing Bracket MLWB11

* Fixing bracket may differ for UL wired products.

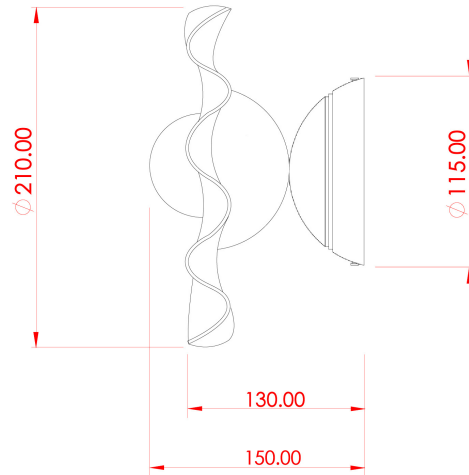


Product Notes:

1) Bulbs not included. 2) Dimensions do not include bulbs. 3) All products are individually made-to-order and therefore may differ slightly within manufacturing tolerances. 4) Cable / chain can be shortened during installation. Longer cable / chain lengths available on request. 5) Additional colour finishes may be available on request. 6) UL wired products operate at 110/120v with the appropriate lamp holder. 7) Twisted cable is not available for UL wired products. Round cable in black or brown only is supplied instead. 8) Refer to our website for a full list of terms and conditions.

RIVALE Ceramic Wall Light

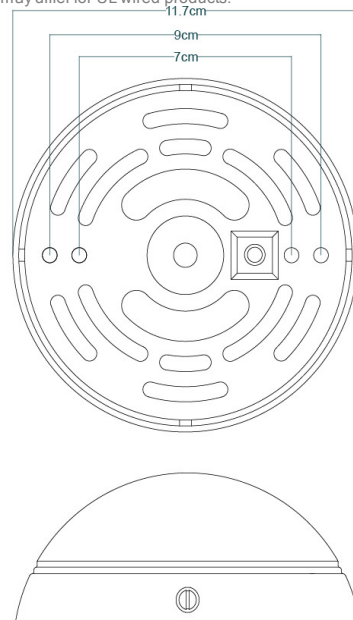
MLCMWL032PCMBKFR Matt Black



| | |
|---------------------------|-----------------------|
| MATERIAL | Brass Ceramic |
| HEIGHT | n/a |
| WIDTH DIAMETER | 21cm 8.27" |
| LENGTH PROJECTION | 13cm 5.12" |
| WEIGHT | 0.7KG 1.54lbs |
| LAMP HOLDER | G9 |
| MAX WATTAGE | 5W x 1 |
| VOLTAGE | 220/240v or 110/120v* |
| IP RATING | 20 |
| CLASS PROTECTION | I |
| SHADE CODE | GL208 |
| CABLE CHAIN BAR LENGT | n/a |
| CABLE TYPE | - |

Fixing Bracket MLWB11

* Fixing bracket may differ for UL wired products.

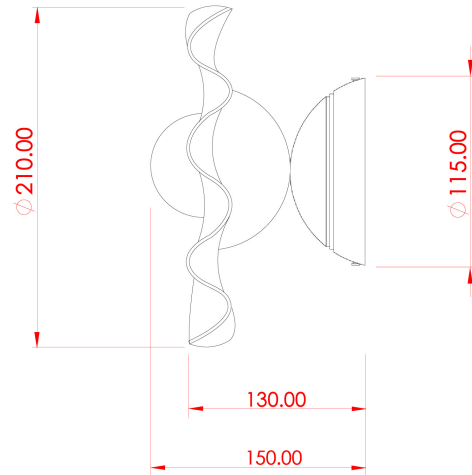


Product Notes:

1) Bulbs not included. 2) Dimensions do not include bulbs. 3) All products are individually made-to-order and therefore may differ slightly within manufacturing tolerances. 4) Cable / chain can be shortened during installation. Longer cable / chain lengths available on request. 5) Additional colour finishes may be available on request. 6) UL wired products operate at 110/120v with the appropriate lamp holder. 7) Twisted cable is not available for UL wired products. Round cable in black or brown only is supplied instead. 8) Refer to our website for a full list of terms and conditions.

RIVALE Ceramic Wall Light

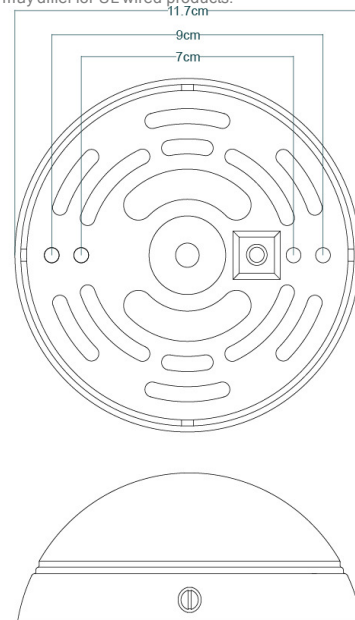
MLCMWL032PCMBKOP Matt Black



| | |
|---------------------------|-----------------------|
| MATERIAL | Brass Ceramic |
| HEIGHT | n/a |
| WIDTH DIAMETER | 21cm 8.27" |
| LENGTH PROJECTION | 13cm 5.12" |
| WEIGHT | 0.7KG 1.54lbs |
| LAMP HOLDER | G9 |
| MAX WATTAGE | 5W x 1 |
| VOLTAGE | 220/240v or 110/120v* |
| IP RATING | 20 |
| CLASS PROTECTION | I |
| SHADE CODE | GL192 |
| CABLE CHAIN BAR LENGT | n/a |
| CABLE TYPE | - |

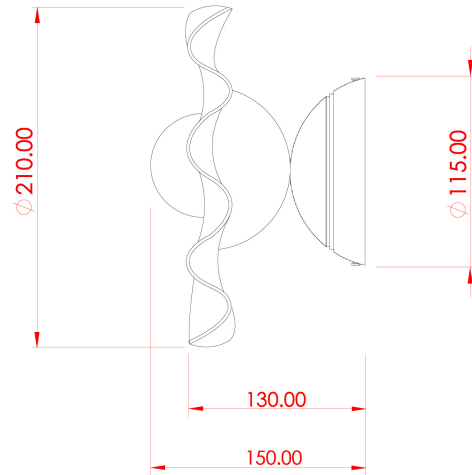
Fixing Bracket MLWB11

* Fixing bracket may differ for UL wired products.



Product Notes:

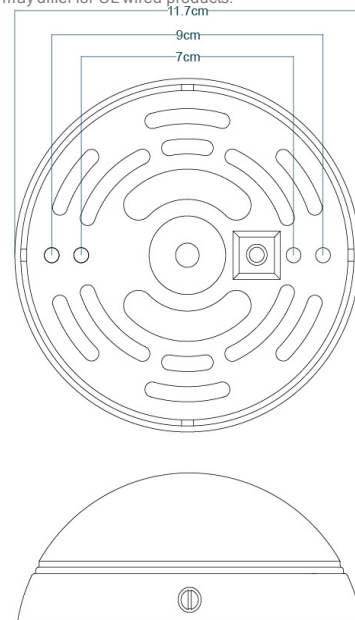
1) Bulbs not included. 2) Dimensions do not include bulbs. 3) All products are individually made-to-order and therefore may differ slightly within manufacturing tolerances. 4) Cable / chain can be shortened during installation. Longer cable / chain lengths available on request. 5) Additional colour finishes may be available on request. 6) UL wired products operate at 110/120v with the appropriate lamp holder. 7) Twisted cable is not available for UL wired products. Round cable in black or brown only is supplied instead. 8) Refer to our website for a full list of terms and conditions.



| | |
|---------------------------|-----------------------|
| MATERIAL | Brass Ceramic |
| HEIGHT | n/a |
| WIDTH DIAMETER | 21cm 8.27" |
| LENGTH PROJECTION | 13cm 5.12" |
| WEIGHT | 0.7KG 1.54lbs |
| LAMP HOLDER | G9 |
| MAX WATTAGE | 5W x 1 |
| VOLTAGE | 220/240v or 110/120v* |
| IP RATING | 20 |
| CLASS PROTECTION | I |
| SHADE CODE | GL196 |
| CABLE CHAIN BAR LENGT | n/a |
| CABLE TYPE | - |

Fixing Bracket MLWB11

* Fixing bracket may differ for UL wired products.

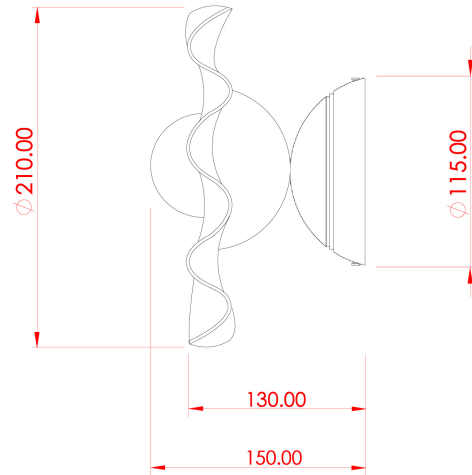


Product Notes:

1) Bulbs not included. 2) Dimensions do not include bulbs. 3) All products are individually made-to-order and therefore may differ slightly within manufacturing tolerances. 4) Cable / chain can be shortened during installation. Longer cable / chain lengths available on request. 5) Additional colour finishes may be available on request. 6) UL wired products operate at 110/120v with the appropriate lamp holder. 7) Twisted cable is not available for UL wired products. Round cable in black or brown only is supplied instead. 8) Refer to our website for a full list of terms and conditions.

RIVALE Ceramic Wall Light

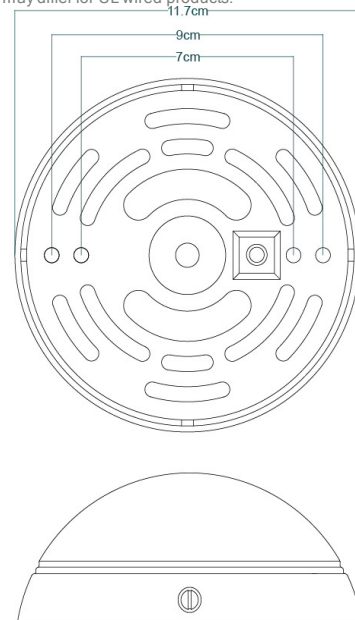
MLCMWL032POLBRSFR Polished Brass



| | |
|---------------------------|-----------------------|
| MATERIAL | Brass Ceramic |
| HEIGHT | n/a |
| WIDTH DIAMETER | 21cm 8.27" |
| LENGTH PROJECTION | 13cm 5.12" |
| WEIGHT | 0.7KG 1.54lbs |
| LAMP HOLDER | G9 |
| MAX WATTAGE | 5W x 1 |
| VOLTAGE | 220/240v or 110/120v* |
| IP RATING | 20 |
| CLASS PROTECTION | I |
| SHADE CODE | GL208 |
| CABLE CHAIN BAR LENGT | n/a |
| CABLE TYPE | - |

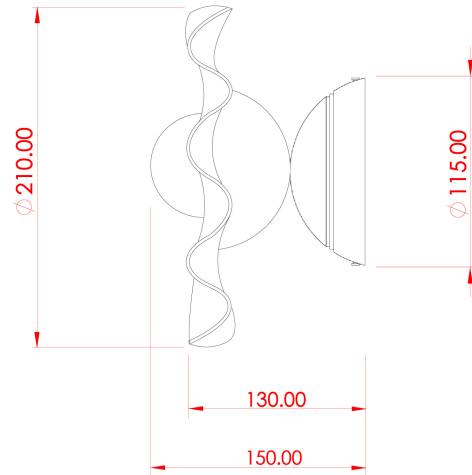
Fixing Bracket MLWB11

* Fixing bracket may differ for UL wired products.



Product Notes:

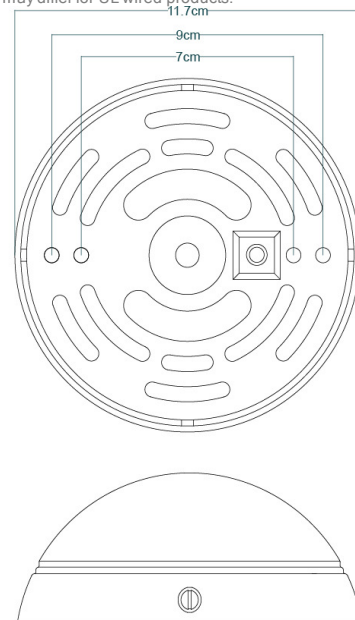
1) Bulbs not included. 2) Dimensions do not include bulbs. 3) All products are individually made-to-order and therefore may differ slightly within manufacturing tolerances. 4) Cable / chain can be shortened during installation. Longer cable / chain lengths available on request. 5) Additional colour finishes may be available on request. 6) UL wired products operate at 110/120v with the appropriate lamp holder. 7) Twisted cable is not available for UL wired products. Round cable in black or brown only is supplied instead. 8) Refer to our website for a full list of terms and conditions.



| | |
|---------------------------|-----------------------|
| MATERIAL | Brass Ceramic |
| HEIGHT | n/a |
| WIDTH DIAMETER | 21cm 8.27" |
| LENGTH PROJECTION | 13cm 5.12" |
| WEIGHT | 0.7KG 1.54lbs |
| LAMP HOLDER | G9 |
| MAX WATTAGE | 5W x 1 |
| VOLTAGE | 220/240v or 110/120v* |
| IP RATING | 20 |
| CLASS PROTECTION | I |
| SHADE CODE | GL192 |
| CABLE CHAIN BAR LENGT | n/a |
| CABLE TYPE | - |

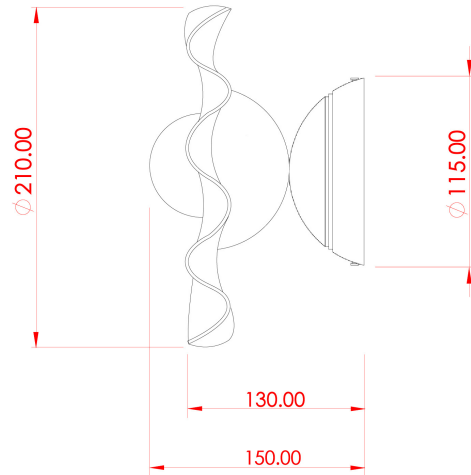
Fixing Bracket MLWB11

* Fixing bracket may differ for UL wired products.



Product Notes:

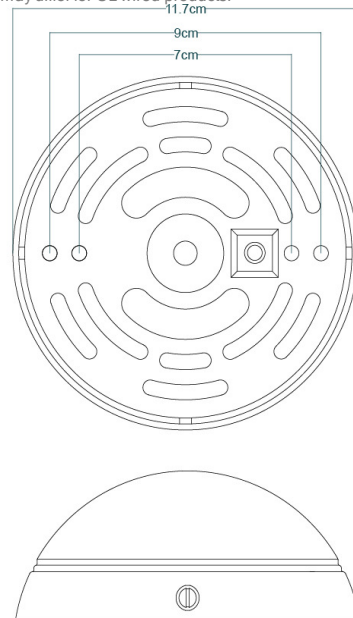
1) Bulbs not included. 2) Dimensions do not include bulbs. 3) All products are individually made-to-order and therefore may differ slightly within manufacturing tolerances. 4) Cable / chain can be shortened during installation. Longer cable / chain lengths available on request. 5) Additional colour finishes may be available on request. 6) UL wired products operate at 110/120v with the appropriate lamp holder. 7) Twisted cable is not available for UL wired products. Round cable in black or brown only is supplied instead. 8) Refer to our website for a full list of terms and conditions.



| | |
|---------------------------|------------------------|
| MATERIAL | Brass Ceramic |
| HEIGHT | n/a |
| WIDTH DIAMETER | 21cm 8.27" |
| LENGTH PROJECTION | 13cm 5.12" |
| WEIGHT | 0.7KG 1.54lbs |
| LAMP HOLDER | G9 |
| MAX WATTAGE | 5W x 1 |
| VOLTAGE | 220/240v or 110/120v * |
| IP RATING | 20 |
| CLASS PROTECTION | I |
| SHADE CODE | GL196 |
| CABLE CHAIN BAR LENGT | n/a |
| CABLE TYPE | - |

Fixing Bracket MLWB11

* Fixing bracket may differ for UL wired products.

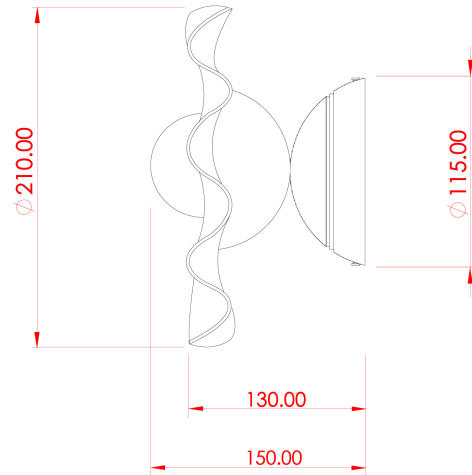


Product Notes:

1) Bulbs not included. 2) Dimensions do not include bulbs. 3) All products are individually made-to-order and therefore may differ slightly within manufacturing tolerances. 4) Cable / chain can be shortened during installation. Longer cable / chain lengths available on request. 5) Additional colour finishes may be available on request. 6) UL wired products operate at 110/120v with the appropriate lamp holder. 7) Twisted cable is not available for UL wired products. Round cable in black or brown only is supplied instead. 8) Refer to our website for a full list of terms and conditions.

RIVALE Ceramic Wall Light

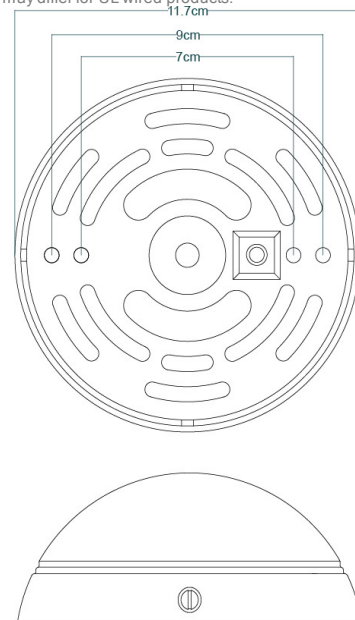
MLCMWL032SATBRSFR Satin Brass



| | |
|---------------------------|-----------------------|
| MATERIAL | Brass Ceramic |
| HEIGHT | n/a |
| WIDTH DIAMETER | 21cm 8.27" |
| LENGTH PROJECTION | 13cm 5.12" |
| WEIGHT | 0.7KG 1.54lbs |
| LAMP HOLDER | G9 |
| MAX WATTAGE | 5W x 1 |
| VOLTAGE | 220/240v or 110/120v* |
| IP RATING | 20 |
| CLASS PROTECTION | I |
| SHADE CODE | GL208 |
| CABLE CHAIN BAR LENGT | n/a |
| CABLE TYPE | - |

Fixing Bracket MLWB11

* Fixing bracket may differ for UL wired products.

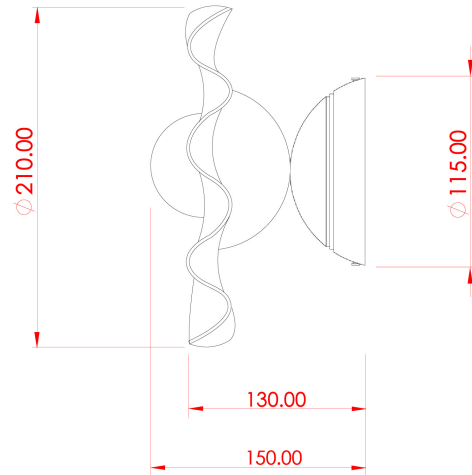


Product Notes:

1) Bulbs not included. 2) Dimensions do not include bulbs. 3) All products are individually made-to-order and therefore may differ slightly within manufacturing tolerances. 4) Cable / chain can be shortened during installation. Longer cable / chain lengths available on request. 5) Additional colour finishes may be available on request. 6) UL wired products operate at 110/120v with the appropriate lamp holder. 7) Twisted cable is not available for UL wired products. Round cable in black or brown only is supplied instead. 8) Refer to our website for a full list of terms and conditions.

RIVALE Ceramic Wall Light

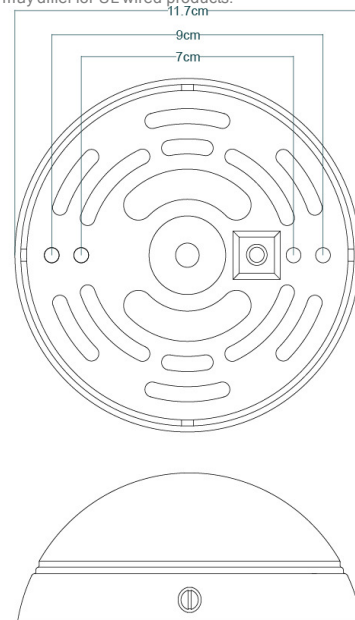
MLCMWL032SATBRSOP Satin Brass



| | |
|---------------------------|-----------------------|
| MATERIAL | Brass Ceramic |
| HEIGHT | n/a |
| WIDTH DIAMETER | 21cm 8.27" |
| LENGTH PROJECTION | 13cm 5.12" |
| WEIGHT | 0.7KG 1.54lbs |
| LAMP HOLDER | G9 |
| MAX WATTAGE | 5W x 1 |
| VOLTAGE | 220/240v or 110/120v* |
| IP RATING | 20 |
| CLASS PROTECTION | I |
| SHADE CODE | GL192 |
| CABLE CHAIN BAR LENGT | n/a |
| CABLE TYPE | - |

Fixing Bracket MLWB11

* Fixing bracket may differ for UL wired products.



Product Notes:

1) Bulbs not included. 2) Dimensions do not include bulbs. 3) All products are individually made-to-order and therefore may differ slightly within manufacturing tolerances. 4) Cable / chain can be shortened during installation. Longer cable / chain lengths available on request. 5) Additional colour finishes may be available on request. 6) UL wired products operate at 110/120v with the appropriate lamp holder. 7) Twisted cable is not available for UL wired products. Round cable in black or brown only is supplied instead. 8) Refer to our website for a full list of terms and conditions.