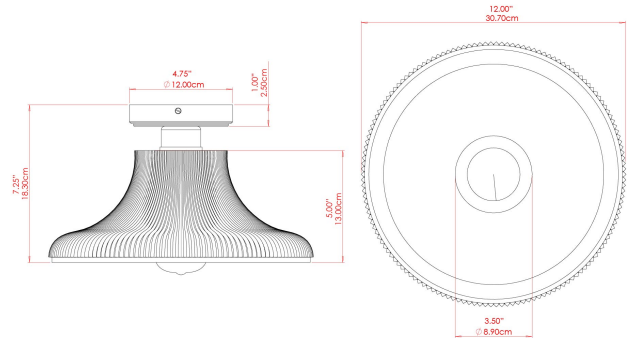


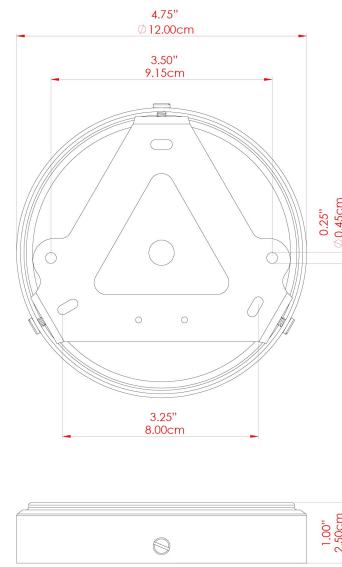
MONO 30CM Ceiling Light

MLCF18ANTBRS Antique Brass



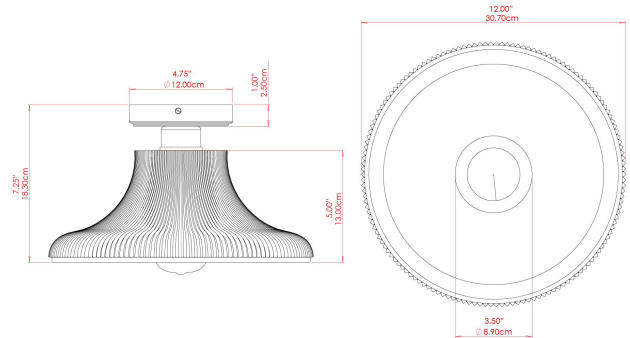
MATERIAL	Brass Glass
HEIGHT	7"
WIDTH DIAMETER	12.75"
LENGTH PROJECTION	n/a
WEIGHT	1.5 kg 3.3 lbs
LAMPHOLDER	E26
MAX WATTAGE	40W
VOLTAGE	110/120v
ENVIRONMENTAL RATING	Dry Location (IP20)
CLASS PROTECTION	Class I
SHADE	GL099
FLEX BAR CHAIN LENGTH	n/a
CABLE TYPE	

FIXING BRACKET: MLROSE39 | Antique Brass



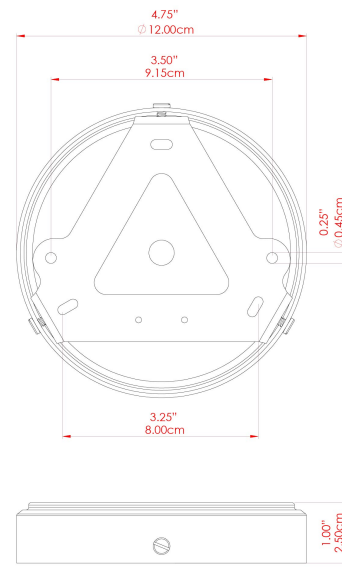
MONO 30CM Ceiling Light

MLCF18ANTSLV Antique Silver



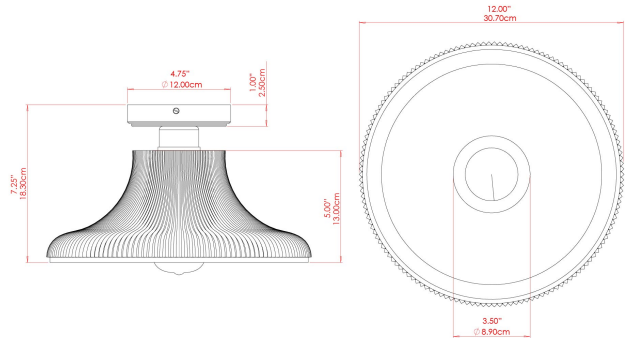
MATERIAL	Brass Glass
HEIGHT	7"
WIDTH DIAMETER	12.75"
LENGTH PROJECTION	n/a
WEIGHT	1.5 kg 3.3 lbs
LAMPHOLDER	E26
MAX WATTAGE	40W
VOLTAGE	110/120v
ENVIRONMENTAL RATING	Dry Location (IP20)
CLASS PROTECTION	Class I
SHADE	GL099
FLEX BAR CHAIN LENGTH	n/a
CABLE TYPE	

FIXING BRACKET: MLROSE39 | Antique Silver



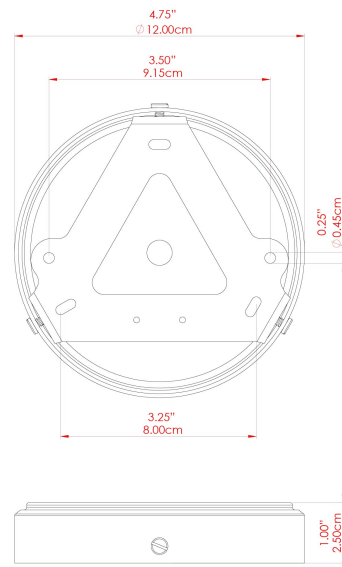
MONO 30CM Ceiling Light

MLCF18POLBRS Polished Brass



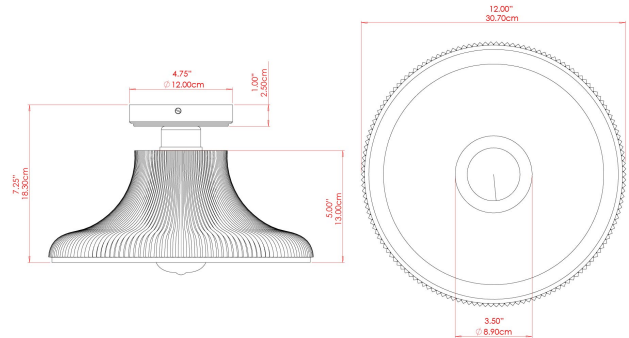
MATERIAL	Brass Glass
HEIGHT	7"
WIDTH DIAMETER	12.75"
LENGTH PROJECTION	n/a
WEIGHT	1.5 kg 3.3 lbs
LAMPHOLDER	E26
MAX WATTAGE	40W
VOLTAGE	110/120v
ENVIRONMENTAL RATING	Dry Location (IP20)
CLASS PROTECTION	Class I
SHADE	GL099
FLEX BAR CHAIN LENGTH	n/a
CABLE TYPE	

FIXING BRACKET: MLROSE39 | Polished Brass



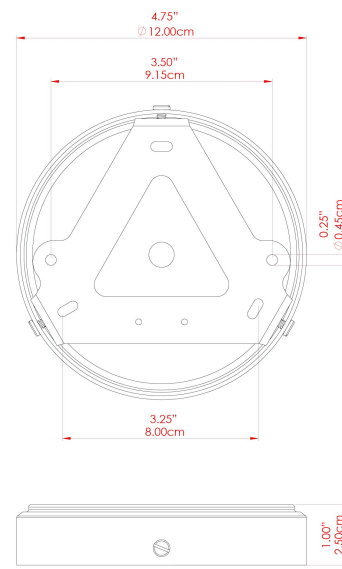
MONO 30CM Ceiling Light

MLCF18POLCHR Polished Chrome



MATERIAL	Brass Glass
HEIGHT	7"
WIDTH DIAMETER	12.75"
LENGTH PROJECTION	n/a
WEIGHT	1.5 kg 3.3 lbs
LAMPHOLDER	E26
MAX WATTAGE	40W
VOLTAGE	110/120v
ENVIRONMENTAL RATING	Dry Location (IP20)
CLASS PROTECTION	Class I
SHADE	GL099
FLEX BAR CHAIN LENGTH	n/a
CABLE TYPE	

FIXING BRACKET: MLROSE39 | Polished Chrome

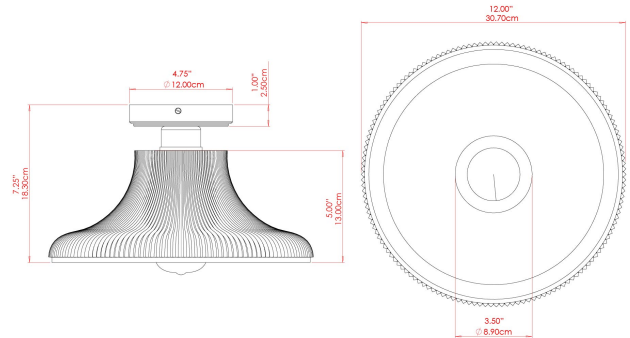


Product Notes:
 1) Bulbs not included. 2) Dimensions do not include bulbs. 3) All products are individually made-to-order and therefore may differ slightly within manufacturing tolerances. 4) Cable / chain can be shortened during installation. Longer cable / chain lengths available on request. 5) Additional color finishes may be available on request. 6) Twisted cable is not available for UL wired products. Round cable in black or brown only is supplied instead. 7) Refer to our website for a full list of terms and conditions.



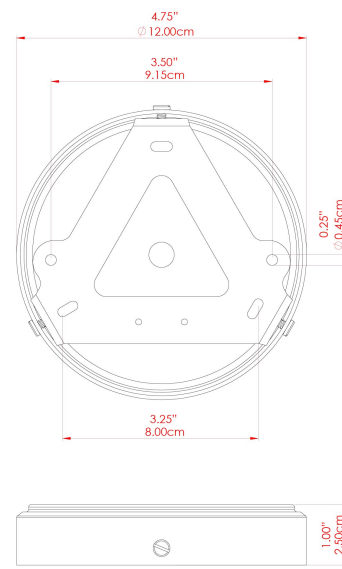
MONO 30CM Ceiling Light

MLCF18POLCOP Polished Copper



MATERIAL	Brass Copper Glass
HEIGHT	7"
WIDTH DIAMETER	12.75"
LENGTH PROJECTION	n/a
WEIGHT	1.5 kg 3.3 lbs
LAMPHOLDER	E26
MAX WATTAGE	40W
VOLTAGE	110/120v
ENVIRONMENTAL RATING	Dry Location (IP20)
CLASS PROTECTION	Class I
SHADE	GL099
FLEX BAR CHAIN LENGTH	n/a
CABLE TYPE	

FIXING BRACKET: MLROSE39 | Copper

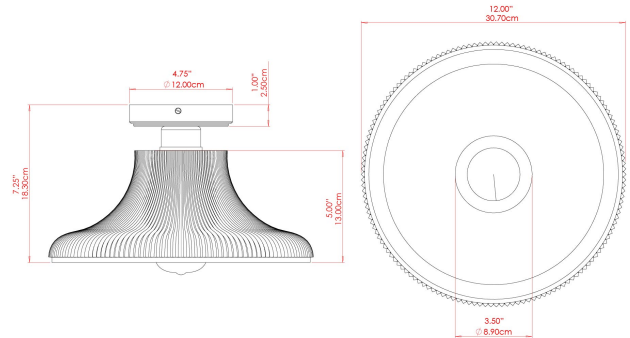


Product Notes:
 1) Bulbs not included. 2) Dimensions do not include bulbs. 3) All products are individually made-to-order and therefore may differ slightly within manufacturing tolerances. 4) Cable / chain can be shortened during installation. Longer cable / chain lengths available on request. 5) Additional color finishes may be available on request. 6) Twisted cable is not available for UL wired products. Round cable in black or brown only is supplied instead. 7) Refer to our website for a full list of terms and conditions.



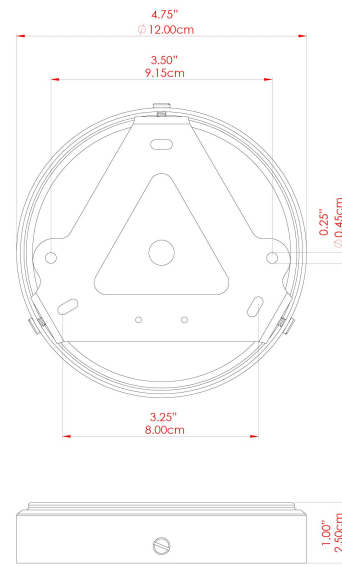
MONO 30CM Ceiling Light

MLCF18SATBRS Satin Brass



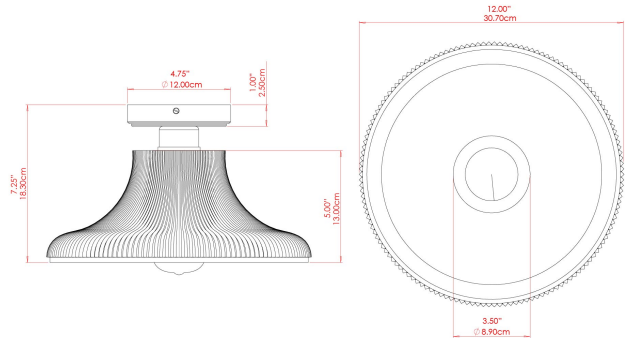
MATERIAL	Brass Glass
HEIGHT	7"
WIDTH DIAMETER	12.75"
LENGTH PROJECTION	n/a
WEIGHT	1.5 kg 3.3 lbs
LAMPHOLDER	E26
MAX WATTAGE	40W
VOLTAGE	110/120v
ENVIRONMENTAL RATING	Dry Location (IP20)
CLASS PROTECTION	Class I
SHADE	GL099
FLEX BAR CHAIN LENGTH	n/a
CABLE TYPE	

FIXING BRACKET: MLROSE39 | Satin Brass



MONO 30CM Ceiling Light

MLCF18SATCHR Satin Chrome



MATERIAL	Brass Glass
HEIGHT	7"
WIDTH DIAMETER	12.75"
LENGTH PROJECTION	n/a
WEIGHT	1.5 kg 3.3 lbs
LAMPHOLDER	E26
MAX WATTAGE	40W
VOLTAGE	110/120v
ENVIRONMENTAL RATING	Dry Location (IP20)
CLASS PROTECTION	Class I
SHADE	GL099
FLEX BAR CHAIN LENGTH	n/a
CABLE TYPE	

FIXING BRACKET: MLROSE39 | Satin Chrome

