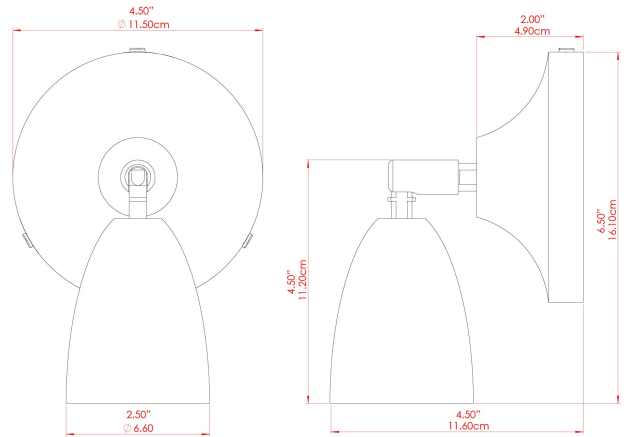


LAINIO Wall Light

MLWL341ANTBRS Antique Brass



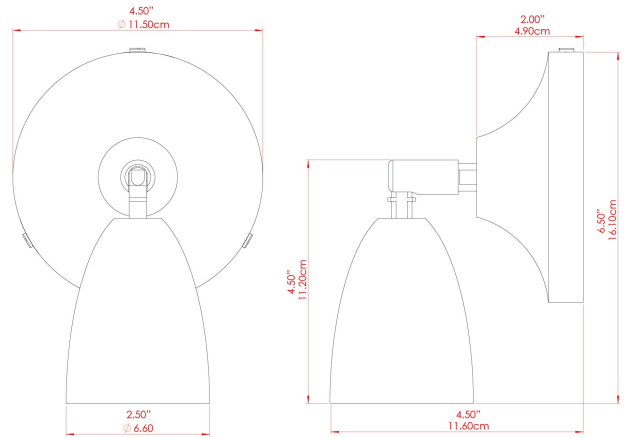
MATERIAL	Brass
HEIGHT	3.25"-6"
WIDTH DIAMETER	3.25"
LENGTH PROJECTION	4.75"-7"
WEIGHT	0.38 kg 0.75 lbs
LAMPHOLDER	GU10
MAX WATTAGE	6.5W
VOLTAGE	110/120v
ENVIRONMENTAL RATING	Dry Location (IP20)
CLASS PROTECTION	Class I
SHADE	-
FLEX BAR CHAIN LENGTH	n/a
CABLE TYPE	

FIXING BRACKET: MLWB12 | Antique Brass



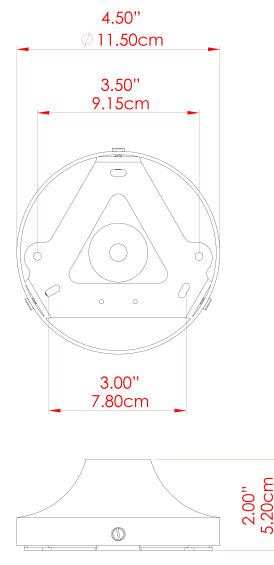
LAINIO Wall Light

MLWL341ANTSLV Antique Silver



MATERIAL	Brass
HEIGHT	3.25"-6"
WIDTH DIAMETER	3.25"
LENGTH PROJECTION	4.75"-7"
WEIGHT	0.38 kg 0.75 lbs
LAMPHOLDER	GU10
MAX WATTAGE	6.5W
VOLTAGE	110/120v
ENVIRONMENTAL RATING	Dry Location (IP20)
CLASS PROTECTION	Class I
SHADE	-
FLEX BAR CHAIN LENGTH	n/a
CABLE TYPE	

FIXING BRACKET: MLWB12 | Antique Silver

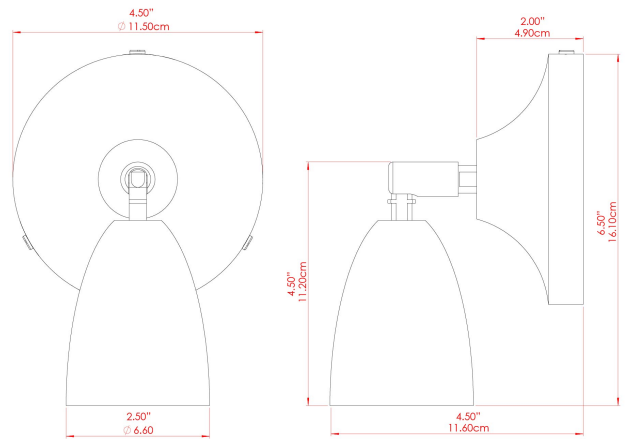


Product Notes:
 1) Bulbs not included. 2) Dimensions do not include bulbs. 3) All products are individually made-to-order and therefore may differ slightly within manufacturing tolerances. 4) Cable / chain can be shortened during installation. Longer cable / chain lengths available on request. 5) Additional color finishes may be available on request. 6) Twisted cable is not available for UL wired products. Round cable in black or brown only is supplied instead. 7) Refer to our website for a full list of terms and conditions.



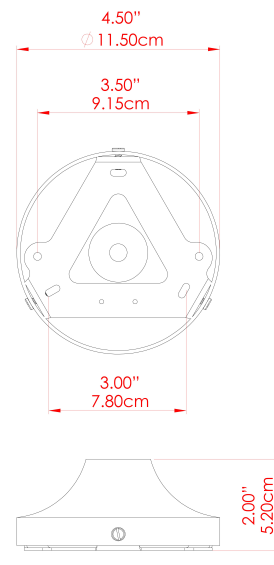
LAINIO Wall Light

MLWL341NATBRS Natural Brass



MATERIAL	Brass
HEIGHT	3.25"-6"
WIDTH DIAMETER	3.25"
LENGTH PROJECTION	4.75"-7"
WEIGHT	0.38 kg 0.75 lbs
LAMPHOLDER	GU10
MAX WATTAGE	6.5W
VOLTAGE	110/120v
ENVIRONMENTAL RATING	Dry Location (IP20)
CLASS PROTECTION	Class I
SHADE	-
FLEX BAR CHAIN LENGTH	n/a
CABLE TYPE	

FIXING BRACKET: MLWB12 | Natural Brass

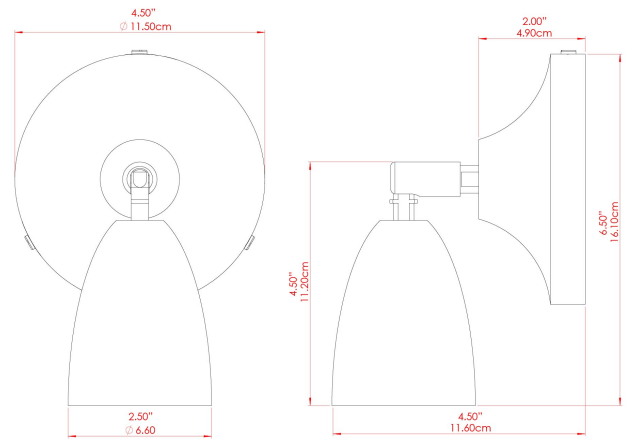


Product Notes:
 1) Bulbs not included. 2) Dimensions do not include bulbs. 3) All products are individually made-to-order and therefore may differ slightly within manufacturing tolerances. 4) Cable / chain can be shortened during installation. Longer cable / chain lengths available on request. 5) Additional color finishes may be available on request. 6) Twisted cable is not available for UL wired products. Round cable in black or brown only is supplied instead. 7) Refer to our website for a full list of terms and conditions.



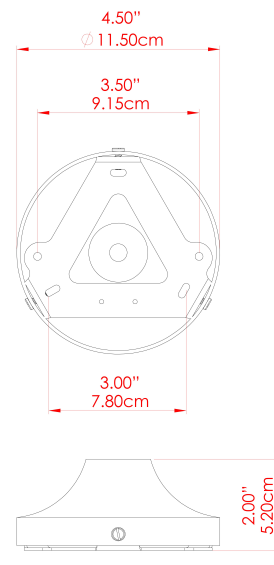
LAINIO Wall Light

MLWL341POLBRS Polished Brass



MATERIAL	Brass
HEIGHT	3.25"-6"
WIDTH DIAMETER	3.25"
LENGTH PROJECTION	4.75"-7"
WEIGHT	0.38 kg 0.75 lbs
LAMPHOLDER	GU10
MAX WATTAGE	6.5W
VOLTAGE	110/120v
ENVIRONMENTAL RATING	Dry Location (IP20)
CLASS PROTECTION	Class I
SHADE	-
FLEX BAR CHAIN LENGTH	n/a
CABLE TYPE	

FIXING BRACKET: MLWB12 | Polished Brass

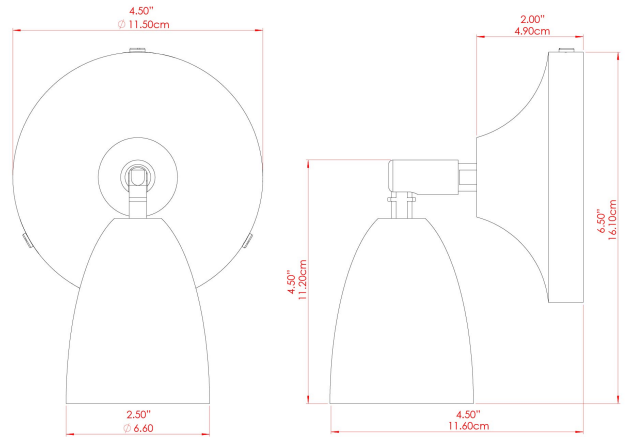


Product Notes:
 1) Bulbs not included. 2) Dimensions do not include bulbs. 3) All products are individually made-to-order and therefore may differ slightly within manufacturing tolerances. 4) Cable / chain can be shortened during installation. Longer cable / chain lengths available on request. 5) Additional color finishes may be available on request. 6) Twisted cable is not available for UL wired products. Round cable in black or brown only is supplied instead. 7) Refer to our website for a full list of terms and conditions.



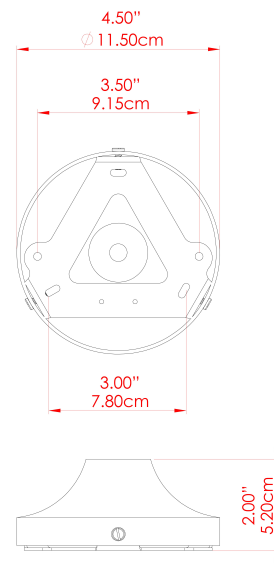
LAINIO Wall Light

MLWL341PCBRZ Bronze



MATERIAL	Brass
HEIGHT	3.25"-6"
WIDTH DIAMETER	3.25"
LENGTH PROJECTION	4.75"-7"
WEIGHT	0.38 kg 0.75 lbs
LAMPHOLDER	GU10
MAX WATTAGE	40W
VOLTAGE	110/120v
ENVIRONMENTAL RATING	Dry Location (IP20)
CLASS PROTECTION	Class I
SHADE	
FLEX BAR CHAIN LENGTH	n/a
CABLE TYPE	

FIXING BRACKET: MLWB12 | Bronze

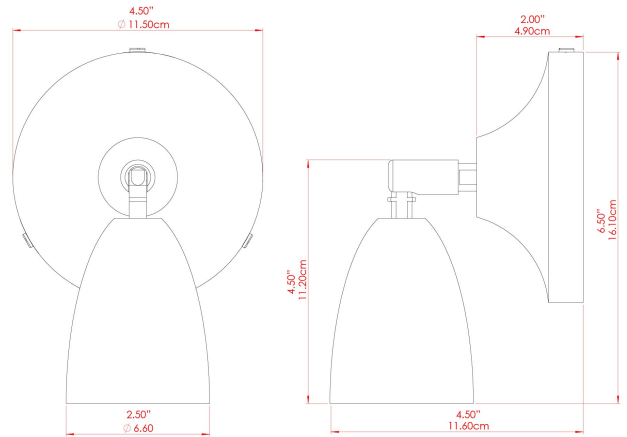


Product Notes:
 1) Bulbs not included. 2) Dimensions do not include bulbs. 3) All products are individually made-to-order and therefore may differ slightly within manufacturing tolerances. 4) Cable / chain can be shortened during installation. Longer cable / chain lengths available on request. 5) Additional color finishes may be available on request. 6) Twisted cable is not available for UL wired products. Round cable in black or brown only is supplied instead. 7) Refer to our website for a full list of terms and conditions.



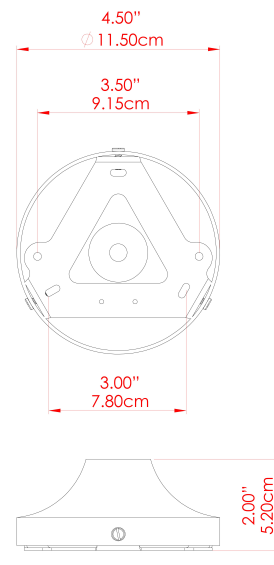


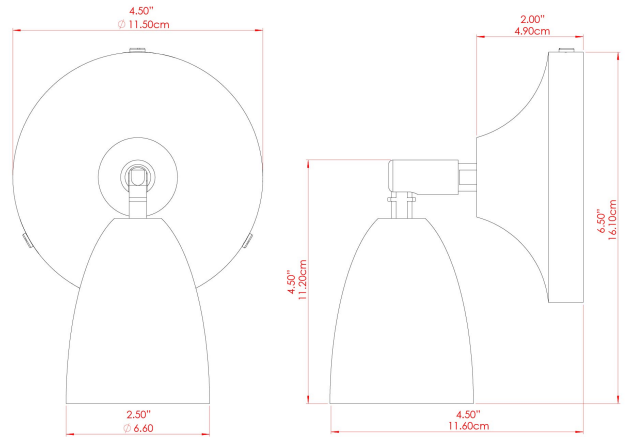
POWDER-COATED
CHROME



MATERIAL	Brass
HEIGHT	3.25"-6"
WIDTH DIAMETER	3.25"
LENGTH PROJECTION	4.75"-7"
WEIGHT	0.38 kg 0.75 lbs
LAMPHOLDER	GU10
MAX WATTAGE	40W
VOLTAGE	110/120v
ENVIRONMENTAL RATING	Dry Location (IP20)
CLASS PROTECTION	Class I
SHADE	
FLEX BAR CHAIN LENGTH	n/a
CABLE TYPE	

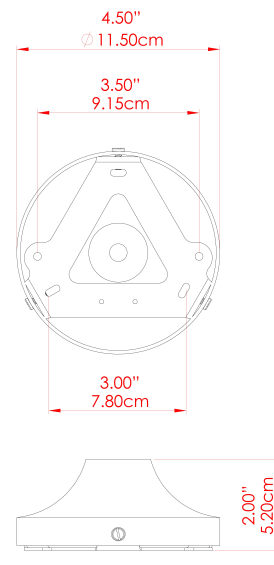
FIXING BRACKET: MLWB12 | Chrome





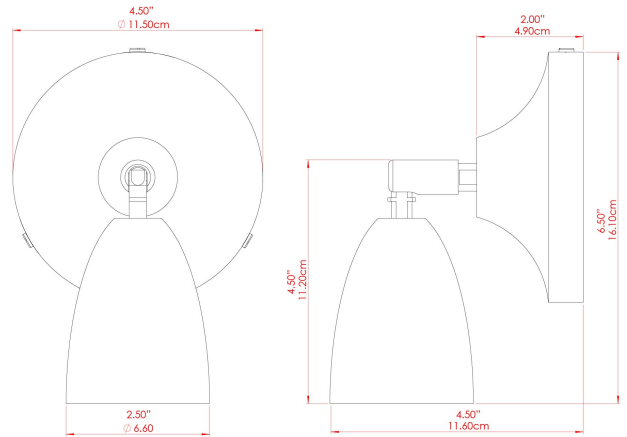
MATERIAL	Brass
HEIGHT	3.25"-6"
WIDTH DIAMETER	3.25"
LENGTH PROJECTION	4.75"-7"
WEIGHT	0.38 kg 0.75 lbs
LAMPHOLDER	GU10
MAX WATTAGE	40W
VOLTAGE	110/120v
ENVIRONMENTAL RATING	Dry Location (IP20)
CLASS PROTECTION	Class I
SHADE	
FLEX BAR CHAIN LENGTH	n/a
CABLE TYPE	

FIXING BRACKET: MLWB12 | Gloss Black



LAINIO Wall Light

MLWL341PCGRY Grey



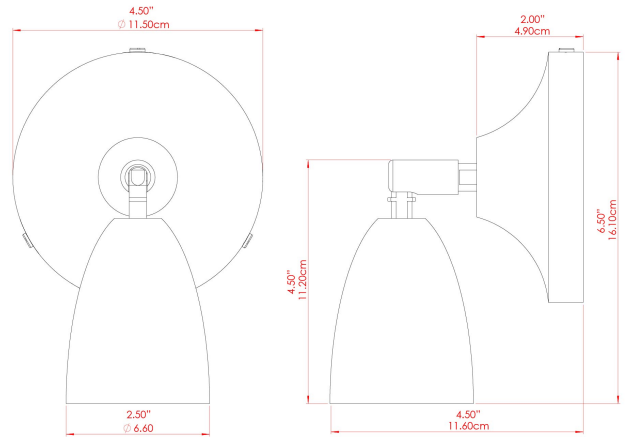
MATERIAL	Brass
HEIGHT	3.25"-6"
WIDTH DIAMETER	3.25"
LENGTH PROJECTION	4.75"-7"
WEIGHT	0.38 kg 0.75 lbs
LAMPHOLDER	GU10
MAX WATTAGE	40W
VOLTAGE	110/120v
ENVIRONMENTAL RATING	Dry Location (IP20)
CLASS PROTECTION	Class I
SHADE	
FLEX BAR CHAIN LENGTH	n/a
CABLE TYPE	

FIXING BRACKET: MLWB12 | Grey



Product Notes:
 1) Bulbs not included. 2) Dimensions do not include bulbs. 3) All products are individually made-to-order and therefore may differ slightly within manufacturing tolerances. 4) Cable / chain can be shortened during installation. Longer cable / chain lengths available on request. 5) Additional color finishes may be available on request. 6) Twisted cable is not available for UL wired products. Round cable in black or brown only is supplied instead. 7) Refer to our website for a full list of terms and conditions.





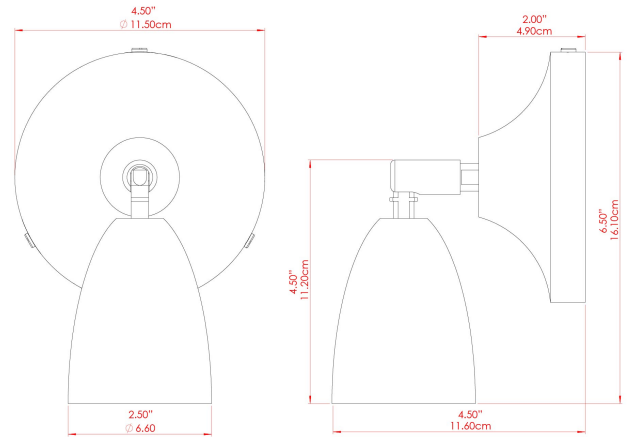
MATERIAL	Brass
HEIGHT	3.25"-6"
WIDTH DIAMETER	3.25"
LENGTH PROJECTION	4.75"-7"
WEIGHT	0.38 kg 0.75 lbs
LAMPHOLDER	GU10
MAX WATTAGE	40W
VOLTAGE	110/120v
ENVIRONMENTAL RATING	Dry Location (IP20)
CLASS PROTECTION	Class I
SHADE	
FLEX BAR CHAIN LENGTH	n/a
CABLE TYPE	

FIXING BRACKET: MLWB12 | Matt Honey Yellow



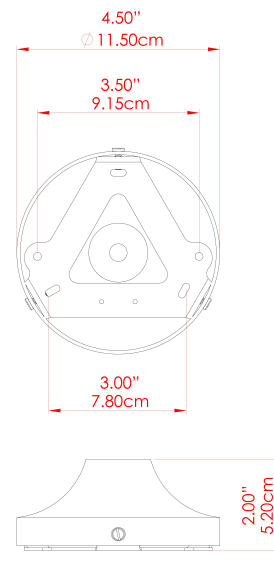
Product Notes:
 1) Bulbs not included. 2) Dimensions do not include bulbs. 3) All products are individually made-to-order and therefore may differ slightly within manufacturing tolerances. 4) Cable / chain can be shortened during installation. Longer cable / chain lengths available on request. 5) Additional color finishes may be available on request. 6) Twisted cable is not available for UL wired products. Round cable in black or brown only is supplied instead. 7) Refer to our website for a full list of terms and conditions.





MATERIAL	Brass
HEIGHT	3.25"-6"
WIDTH DIAMETER	3.25"
LENGTH PROJECTION	4.75"-7"
WEIGHT	0.38 kg 0.75 lbs
LAMPHOLDER	GU10
MAX WATTAGE	40W
VOLTAGE	110/120v
ENVIRONMENTAL RATING	Dry Location (IP20)
CLASS PROTECTION	Class I
SHADE	
FLEX BAR CHAIN LENGTH	n/a
CABLE TYPE	

FIXING BRACKET: MLWB12 | Matt Antique Pink

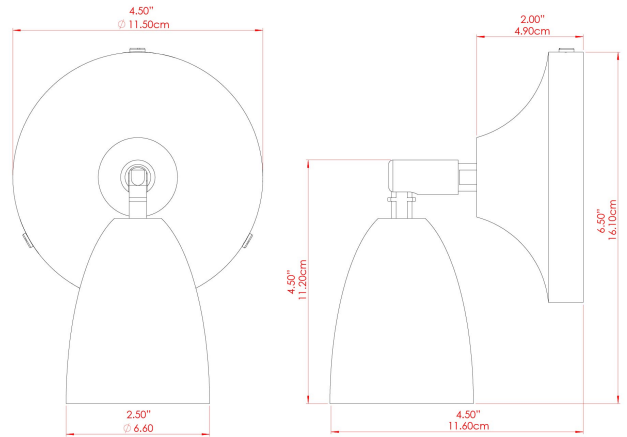


Product Notes:
 1) Bulbs not included. 2) Dimensions do not include bulbs. 3) All products are individually made-to-order and therefore may differ slightly within manufacturing tolerances. 4) Cable / chain can be shortened during installation. Longer cable / chain lengths available on request. 5) Additional color finishes may be available on request. 6) Twisted cable is not available for UL wired products. Round cable in black or brown only is supplied instead. 7) Refer to our website for a full list of terms and conditions.



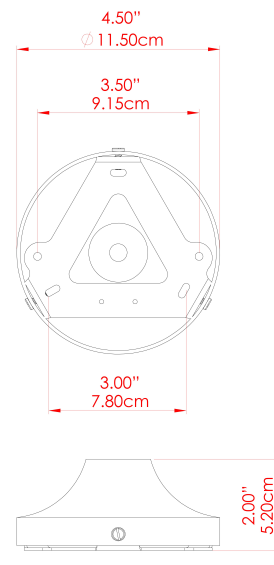
LAINIO Wall Light

MLWL341PCMBK Matt Black



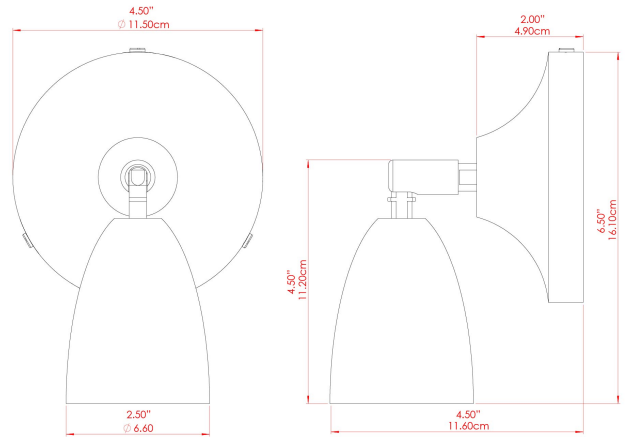
MATERIAL	Brass
HEIGHT	3.25"-6"
WIDTH DIAMETER	3.25"
LENGTH PROJECTION	4.75"-7"
WEIGHT	0.38 kg 0.75 lbs
LAMPHOLDER	GU10
MAX WATTAGE	6.5W
VOLTAGE	110/120v
ENVIRONMENTAL RATING	Dry Location (IP20)
CLASS PROTECTION	Class I
SHADE	-
FLEX BAR CHAIN LENGTH	n/a
CABLE TYPE	

FIXING BRACKET: MLWB12 | Matt Black



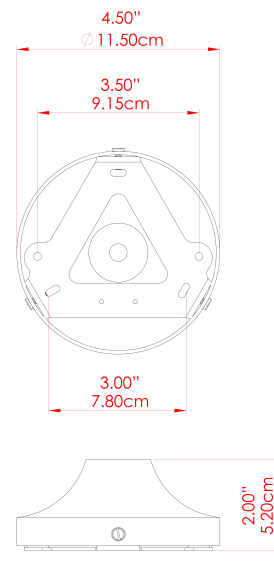
Product Notes:
 1) Bulbs not included. 2) Dimensions do not include bulbs. 3) All products are individually made-to-order and therefore may differ slightly within manufacturing tolerances. 4) Cable / chain can be shortened during installation. Longer cable / chain lengths available on request. 5) Additional color finishes may be available on request. 6) Twisted cable is not available for UL wired products. Round cable in black or brown only is supplied instead. 7) Refer to our website for a full list of terms and conditions.

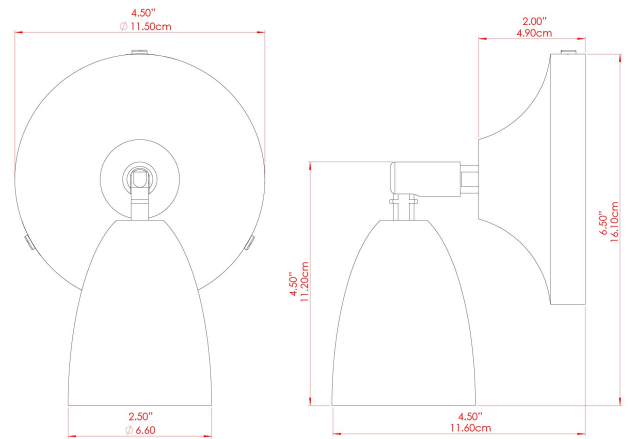




MATERIAL	Brass
HEIGHT	3.25"-6"
WIDTH DIAMETER	3.25"
LENGTH PROJECTION	4.75"-7"
WEIGHT	0.38 kg 0.75 lbs
LAMPHOLDER	GU10
MAX WATTAGE	40W
VOLTAGE	110/120v
ENVIRONMENTAL RATING	Dry Location (IP20)
CLASS PROTECTION	Class I
SHADE	
FLEX BAR CHAIN LENGTH	n/a
CABLE TYPE	

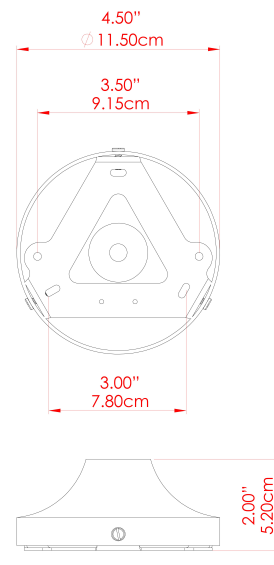
FIXING BRACKET: MLWB12 | Matt Mint Turquoise





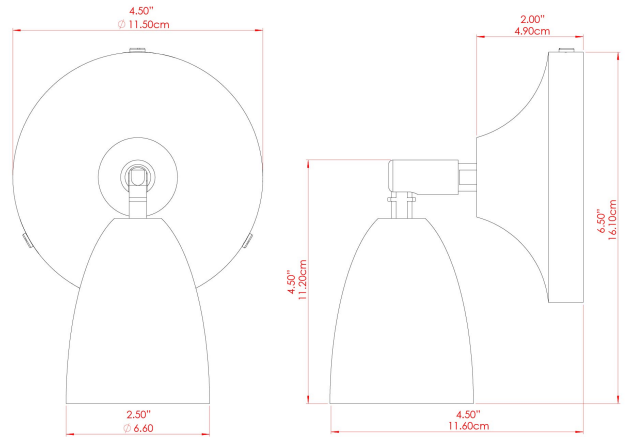
MATERIAL	Brass
HEIGHT	3.25"-6"
WIDTH DIAMETER	3.25"
LENGTH PROJECTION	4.75"-7"
WEIGHT	0.38 kg 0.75 lbs
LAMPHOLDER	GU10
MAX WATTAGE	40W
VOLTAGE	110/120v
ENVIRONMENTAL RATING	Dry Location (IP20)
CLASS PROTECTION	Class I
SHADE	
FLEX BAR CHAIN LENGTH	n/a
CABLE TYPE	

FIXING BRACKET: MLWB12 | Matt Sapphire Blue



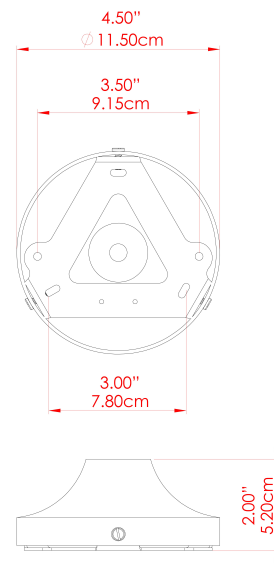
Product Notes:
 1) Bulbs not included. 2) Dimensions do not include bulbs. 3) All products are individually made-to-order and therefore may differ slightly within manufacturing tolerances. 4) Cable / chain can be shortened during installation. Longer cable / chain lengths available on request. 5) Additional color finishes may be available on request. 6) Twisted cable is not available for UL wired products. Round cable in black or brown only is supplied instead. 7) Refer to our website for a full list of terms and conditions.

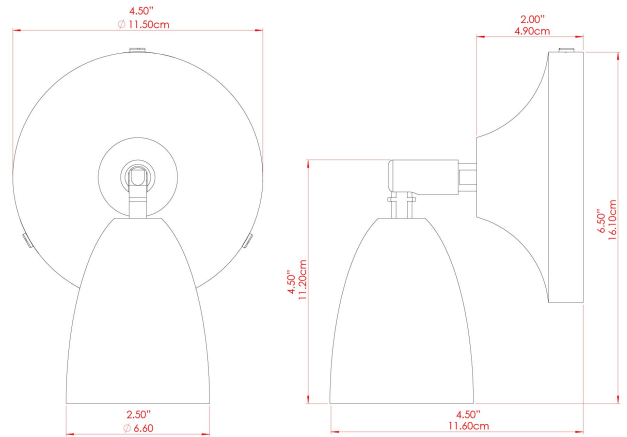




MATERIAL	Brass
HEIGHT	3.25"-6"
WIDTH DIAMETER	3.25"
LENGTH PROJECTION	4.75"-7"
WEIGHT	0.38 kg 0.75 lbs
LAMPHOLDER	GU10
MAX WATTAGE	40W
VOLTAGE	110/120v
ENVIRONMENTAL RATING	Dry Location (IP20)
CLASS PROTECTION	Class I
SHADE	
FLEX BAR CHAIN LENGTH	n/a
CABLE TYPE	

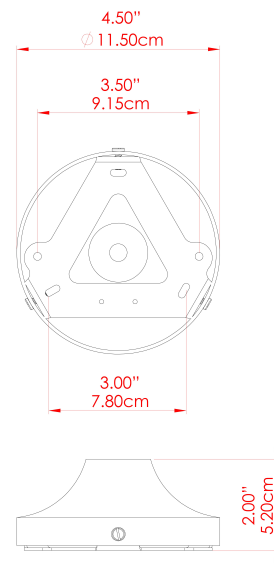
FIXING BRACKET: MLWB12 | Matt Traffic Grey

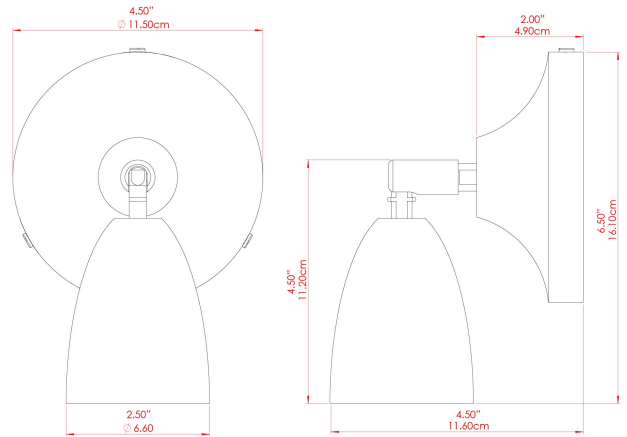




MATERIAL	Brass
HEIGHT	3.25"-6"
WIDTH DIAMETER	3.25"
LENGTH PROJECTION	4.75"-7"
WEIGHT	0.38 kg 0.75 lbs
LAMPHOLDER	GU10
MAX WATTAGE	40W
VOLTAGE	110/120v
ENVIRONMENTAL RATING	Dry Location (IP20)
CLASS PROTECTION	Class I
SHADE	
FLEX BAR CHAIN LENGTH	n/a
CABLE TYPE	

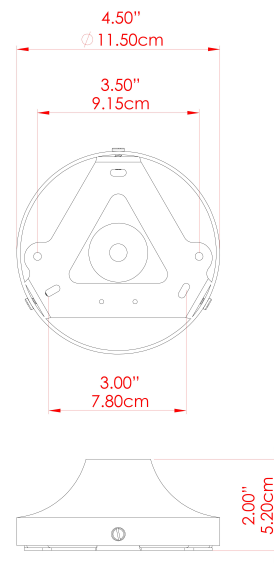
FIXING BRACKET: MLWB12 | Matt Vanilla Cream





MATERIAL	Brass
HEIGHT	3.25"-6"
WIDTH DIAMETER	3.25"
LENGTH PROJECTION	4.75"-7"
WEIGHT	0.38 kg 0.75 lbs
LAMPHOLDER	GU10
MAX WATTAGE	40W
VOLTAGE	110/120v
ENVIRONMENTAL RATING	Dry Location (IP20)
CLASS PROTECTION	Class I
SHADE	
FLEX BAR CHAIN LENGTH	n/a
CABLE TYPE	

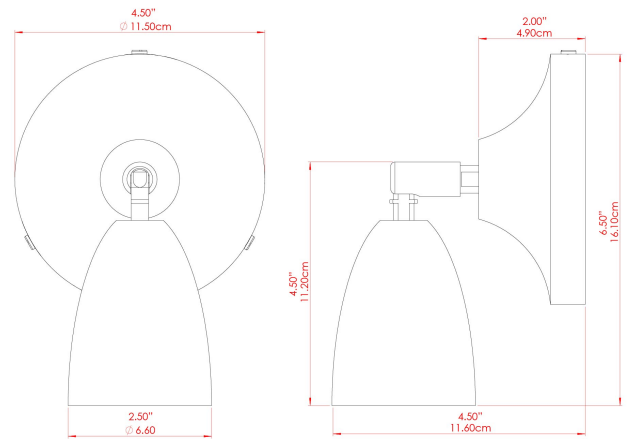
FIXING BRACKET: MLWB12 | Matt White





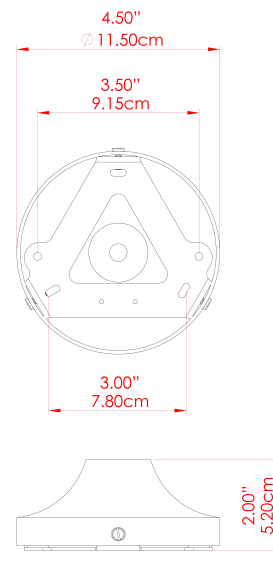
LAINIO Wall Light

MLWL341PCORG Orange



MATERIAL	Brass
HEIGHT	3.25"-6"
WIDTH DIAMETER	3.25"
LENGTH PROJECTION	4.75"-7"
WEIGHT	0.38 kg 0.75 lbs
LAMPHOLDER	GU10
MAX WATTAGE	40W
VOLTAGE	110/120v
ENVIRONMENTAL RATING	Dry Location (IP20)
CLASS PROTECTION	Class I
SHADE	
FLEX BAR CHAIN LENGTH	n/a
CABLE TYPE	

FIXING BRACKET: MLWB12 | Orange



WWW.MULLANLIGHTING.COM

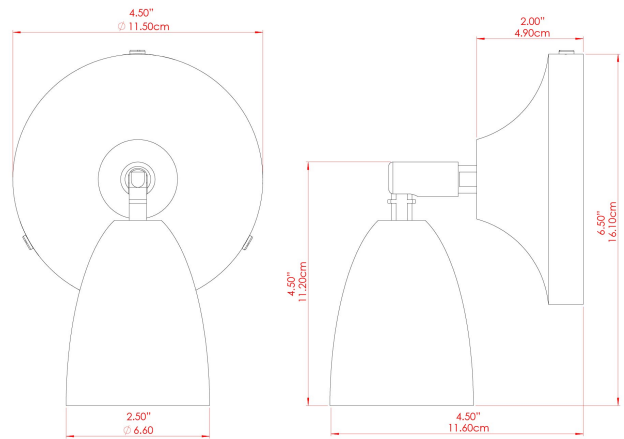
Product Notes:

1) Bulbs not included. 2) Dimensions do not include bulbs. 3) All products are individually made-to-order and therefore may differ slightly within manufacturing tolerances. 4) Cable / chain can be shortened during installation. Longer cable / chain lengths available on request. 5) Additional color finishes may be available on request. 6) Twisted cable is not available for UL wired products. Round cable in black or brown only is supplied instead. 7) Refer to our website for a full list of terms and conditions.



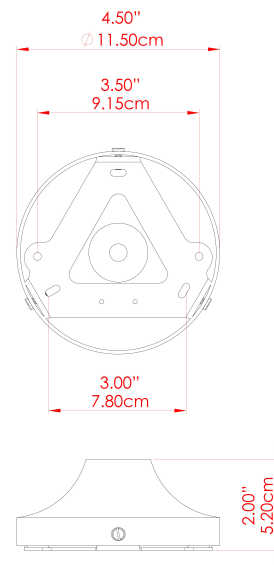
LAINIO Wall Light

MLWL341PCRGR Racing Green



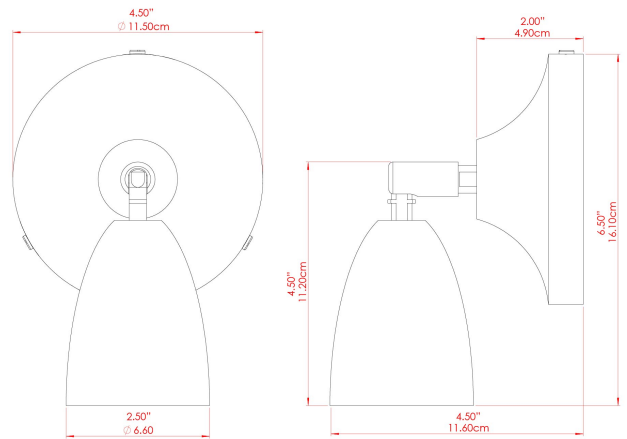
MATERIAL	Brass
HEIGHT	3.25"-6"
WIDTH DIAMETER	3.25"
LENGTH PROJECTION	4.75"-7"
WEIGHT	0.38 kg 0.75 lbs
LAMPHOLDER	GU10
MAX WATTAGE	40W
VOLTAGE	110/120v
ENVIRONMENTAL RATING	Dry Location (IP20)
CLASS PROTECTION	Class I
SHADE	
FLEX BAR CHAIN LENGTH	n/a
CABLE TYPE	

FIXING BRACKET: MLWB12 | Racing Green



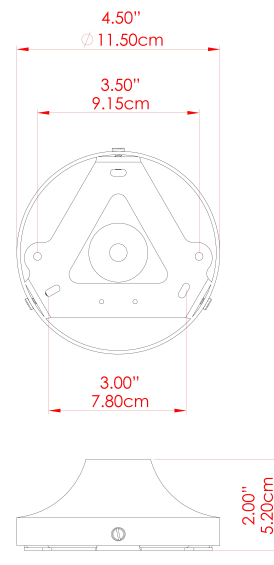
Product Notes:
 1) Bulbs not included. 2) Dimensions do not include bulbs. 3) All products are individually made-to-order and therefore may differ slightly within manufacturing tolerances. 4) Cable / chain can be shortened during installation. Longer cable / chain lengths available on request. 5) Additional color finishes may be available on request. 6) Twisted cable is not available for UL wired products. Round cable in black or brown only is supplied instead. 7) Refer to our website for a full list of terms and conditions.





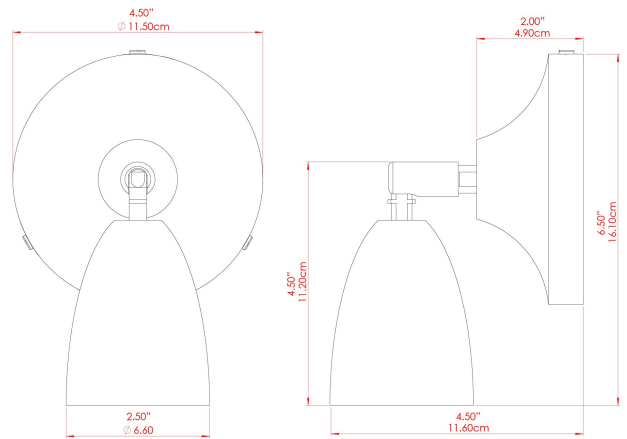
MATERIAL	Brass
HEIGHT	3.25"-6"
WIDTH DIAMETER	3.25"
LENGTH PROJECTION	4.75"-7"
WEIGHT	0.38 kg 0.75 lbs
LAMPHOLDER	GU10
MAX WATTAGE	40W
VOLTAGE	110/120v
ENVIRONMENTAL RATING	Dry Location (IP20)
CLASS PROTECTION	Class I
SHADE	
FLEX BAR CHAIN LENGTH	n/a
CABLE TYPE	

FIXING BRACKET: MLWB12 | Red



LAINIO Wall Light

MLWL341PCGRN Sage Green



MATERIAL	Brass
HEIGHT	3.25"-6"
WIDTH DIAMETER	3.25"
LENGTH PROJECTION	4.75"-7"
WEIGHT	0.38 kg 0.75 lbs
LAMPHOLDER	GU10
MAX WATTAGE	40W
VOLTAGE	110/120v
ENVIRONMENTAL RATING	Dry Location (IP20)
CLASS PROTECTION	Class I
SHADE	
FLEX BAR CHAIN LENGTH	n/a
CABLE TYPE	

FIXING BRACKET: MLWB12 | Sage Green

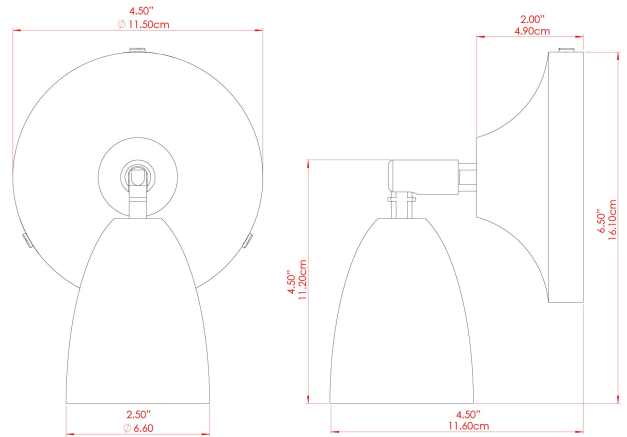


Product Notes:
 1) Bulbs not included. 2) Dimensions do not include bulbs. 3) All products are individually made-to-order and therefore may differ slightly within manufacturing tolerances. 4) Cable / chain can be shortened during installation. Longer cable / chain lengths available on request. 5) Additional color finishes may be available on request. 6) Twisted cable is not available for UL wired products. Round cable in black or brown only is supplied instead. 7) Refer to our website for a full list of terms and conditions.



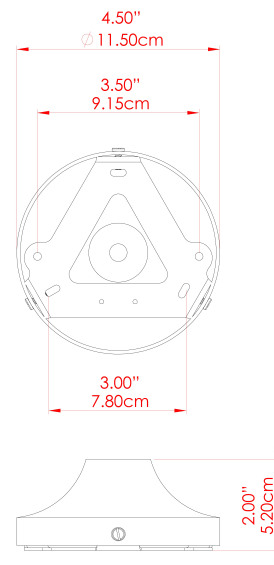
LAINIO Wall Light

MLWL341PCWTE White



MATERIAL	Brass
HEIGHT	3.25"-6"
WIDTH DIAMETER	3.25"
LENGTH PROJECTION	4.75"-7"
WEIGHT	0.38 kg 0.75 lbs
LAMPHOLDER	GU10
MAX WATTAGE	6.5W
VOLTAGE	110/120v
ENVIRONMENTAL RATING	Dry Location (IP20)
CLASS PROTECTION	Class I
SHADE	-
FLEX BAR CHAIN LENGTH	n/a
CABLE TYPE	

FIXING BRACKET: MLWB12 | White

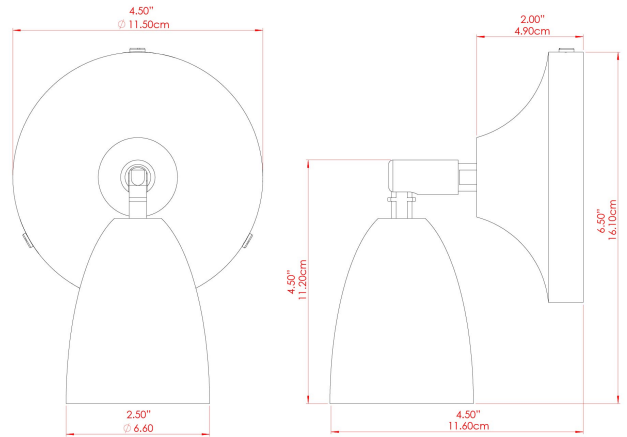


Product Notes:
 1) Bulbs not included. 2) Dimensions do not include bulbs. 3) All products are individually made-to-order and therefore may differ slightly within manufacturing tolerances. 4) Cable / chain can be shortened during installation. Longer cable / chain lengths available on request. 5) Additional color finishes may be available on request. 6) Twisted cable is not available for UL wired products. Round cable in black or brown only is supplied instead. 7) Refer to our website for a full list of terms and conditions.



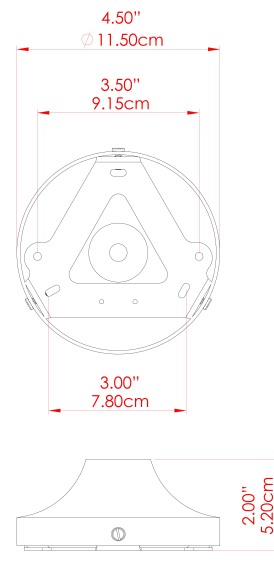
LAINIO Wall Light

MLWL341PCYLW Yellow



MATERIAL	Brass
HEIGHT	3.25"-6"
WIDTH DIAMETER	3.25"
LENGTH PROJECTION	4.75"-7"
WEIGHT	0.38 kg 0.75 lbs
LAMPHOLDER	GU10
MAX WATTAGE	40W
VOLTAGE	110/120v
ENVIRONMENTAL RATING	Dry Location (IP20)
CLASS PROTECTION	Class I
SHADE	
FLEX BAR CHAIN LENGTH	n/a
CABLE TYPE	

FIXING BRACKET: MLWB12 | Yellow

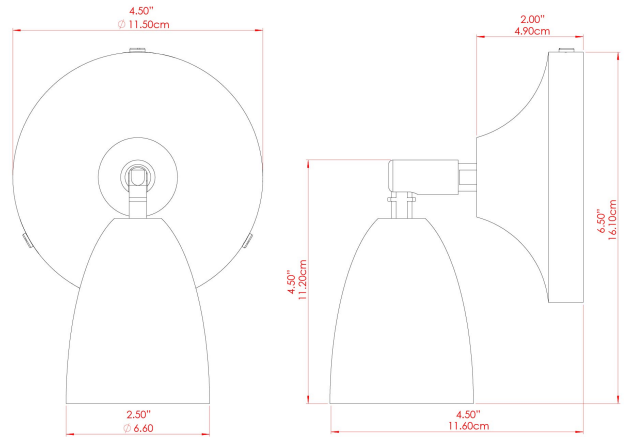


Product Notes:
 1) Bulbs not included. 2) Dimensions do not include bulbs. 3) All products are individually made-to-order and therefore may differ slightly within manufacturing tolerances. 4) Cable / chain can be shortened during installation. Longer cable / chain lengths available on request. 5) Additional color finishes may be available on request. 6) Twisted cable is not available for UL wired products. Round cable in black or brown only is supplied instead. 7) Refer to our website for a full list of terms and conditions.



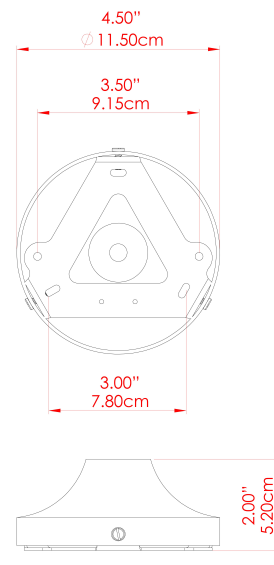
LAINIO Wall Light

MLWL341SATBRS Satin Brass



MATERIAL	Brass
HEIGHT	3.25"-6"
WIDTH DIAMETER	3.25"
LENGTH PROJECTION	4.75"-7"
WEIGHT	0.38 kg 0.75 lbs
LAMPHOLDER	GU10
MAX WATTAGE	6.5W
VOLTAGE	110/120v
ENVIRONMENTAL RATING	Dry Location (IP20)
CLASS PROTECTION	Class I
SHADE	-
FLEX BAR CHAIN LENGTH	n/a
CABLE TYPE	

FIXING BRACKET: MLWB12 | Satin Brass



Product Notes:
 1) Bulbs not included. 2) Dimensions do not include bulbs. 3) All products are individually made-to-order and therefore may differ slightly within manufacturing tolerances. 4) Cable / chain can be shortened during installation. Longer cable / chain lengths available on request. 5) Additional color finishes may be available on request. 6) Twisted cable is not available for UL wired products. Round cable in black or brown only is supplied instead. 7) Refer to our website for a full list of terms and conditions.

