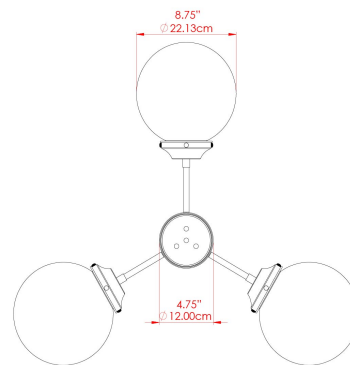
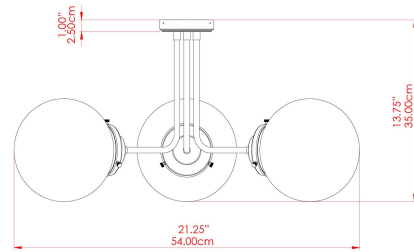


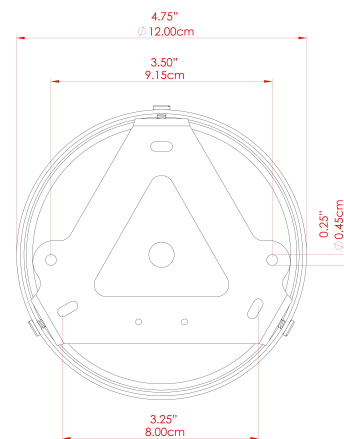
# HAYES Ceiling Light

## MLCF119ANTBRSCl Antique Brass



MATERIAL	Brass   Glass
HEIGHT	13.75"
WIDTH   DIAMETER	21.25"
LENGTH   PROJECTION	n/a
WEIGHT	3 kg   6.5 lbs
LAMPHOLDER	E26
MAX WATTAGE	40W
VOLTAGE	110/120v
ENVIRONMENTAL RATING	Dry Location (IP20)
CLASS PROTECTION	Class I
SHADE	GL131
FLEX   BAR   CHAIN LENGTH	n/a
CABLE TYPE	MLCA009   Black PVC Flexible Cable   2 Core

### FIXING BRACKET: MLWB17 | Antique Brass

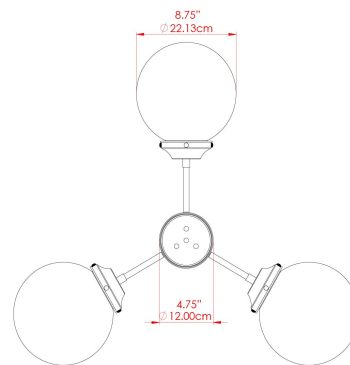
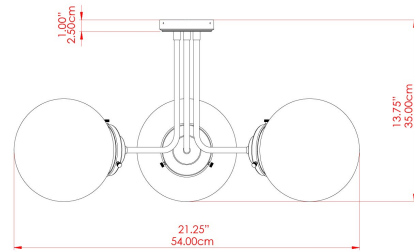


Product Notes:  
 1) Bulbs not included. 2) Dimensions do not include bulbs. 3) All products are individually made-to-order and therefore may differ slightly within manufacturing tolerances. 4) Cable / chain can be shortened during installation. Longer cable / chain lengths available on request. 5) Additional color finishes may be available on request. 6) Twisted cable is not available for UL wired products. Round cable in black or brown only is supplied instead. 7) Refer to our website for a full list of terms and conditions.



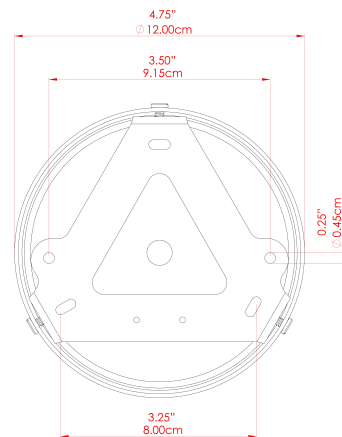
# HAYES Ceiling Light

## MLCF119ANTBRSOP Antique Brass



MATERIAL	Brass   Glass
HEIGHT	13.75"
WIDTH   DIAMETER	21.25"
LENGTH   PROJECTION	n/a
WEIGHT	3 kg   6.5 lbs
LAMPHOLDER	E26
MAX WATTAGE	40W
VOLTAGE	110/120v
ENVIRONMENTAL RATING	Dry Location (IP20)
CLASS PROTECTION	Class I
SHADE	GL044E
FLEX   BAR   CHAIN LENGTH	n/a
CABLE TYPE	MLCA009   Black PVC Flexible Cable   2 Core

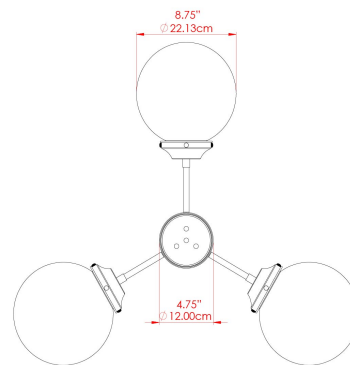
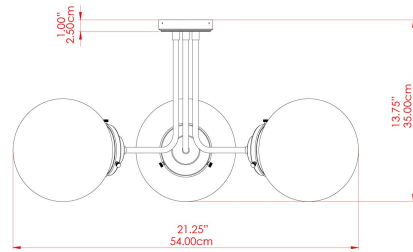
### FIXING BRACKET: MLWB17 | Antique Brass





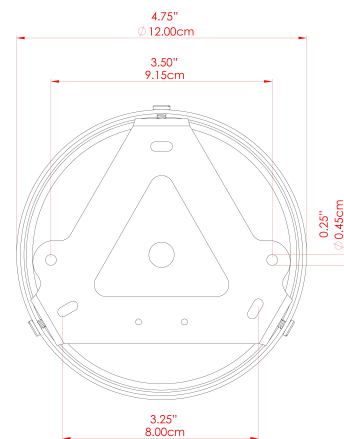
## HAYES Ceiling Light

MLCF119ANTSLVCL Antique Silver



MATERIAL	Brass   Glass
HEIGHT	13.75"
WIDTH   DIAMETER	21.25"
LENGTH   PROJECTION	n/a
WEIGHT	3 kg   6.5 lbs
LAMPHOLDER	E26
MAX WATTAGE	40W
VOLTAGE	110/120v
ENVIRONMENTAL RATING	Dry Location (IP20)
CLASS PROTECTION	Class I
SHADE	GL131
FLEX   BAR   CHAIN LENGTH	n/a
CABLE TYPE	MLCA009   Black PVC Flexible Cable   2 Core

### FIXING BRACKET: MLWB17 | Antique Silver



WWW.MULLANLIGHTING.COM

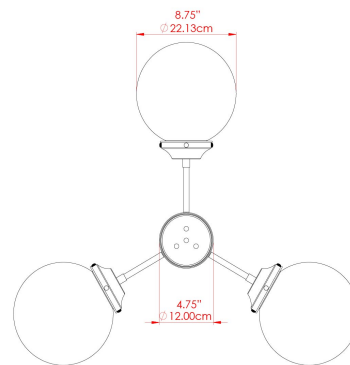
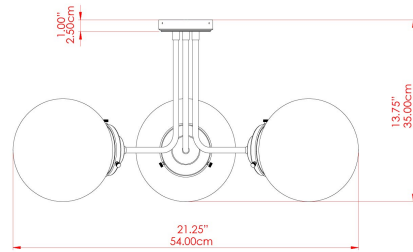
#### Product Notes:

1) Bulbs not included. 2) Dimensions do not include bulbs. 3) All products are individually made-to-order and therefore may differ slightly within manufacturing tolerances. 4) Cable / chain can be shortened during installation. Longer cable / chain lengths available on request. 5) Additional color finishes may be available on request. 6) Twisted cable is not available for UL wired products. Round cable in black or brown only is supplied instead. 7) Refer to our website for a full list of terms and conditions.



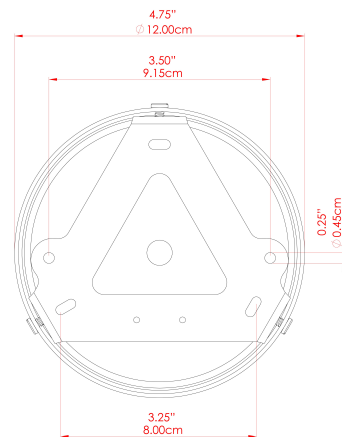
# HAYES Ceiling Light

# MLCF119ANTSLVOP Antique Silver



MATERIAL	Brass   Glass
HEIGHT	13.75"
WIDTH   DIAMETER	21.25"
LENGTH   PROJECTION	n/a
WEIGHT	3 kg   6.5 lbs
LAMPHOLDER	E26
MAX WATTAGE	40W
VOLTAGE	110/120v
ENVIRONMENTAL RATING	Dry Location (IP20)
CLASS PROTECTION	Class I
SHADE	GL044E
FLEX   BAR   CHAIN LENGTH	n/a
CABLE TYPE	MLCA009   Black PVC Flexible Cable   2 Core

### FIXING BRACKET: MLWB17 | Antique Silver

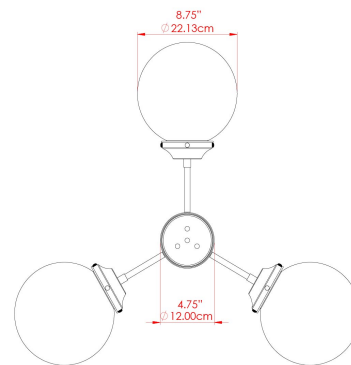
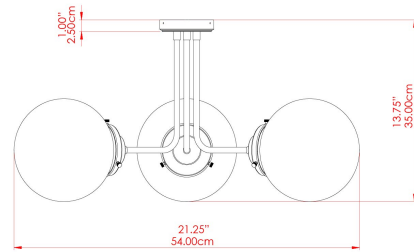


Product Notes:  
 1) Bulbs not included. 2) Dimensions do not include bulbs. 3) All products are individually made-to-order and therefore may differ slightly within manufacturing tolerances. 4) Cable / chain can be shortened during installation. Longer cable / chain lengths available on request. 5) Additional color finishes may be available on request. 6) Twisted cable is not available for UL wired products. Round cable in black or brown only is supplied instead. 7) Refer to our website for a full list of terms and conditions.



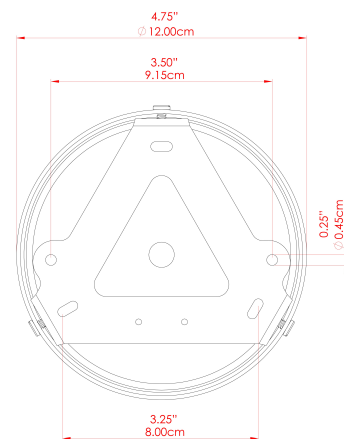
# HAYES Ceiling Light

## MLCF119PCMBKCL Matt Black



MATERIAL	Brass   Glass
HEIGHT	13.75"
WIDTH   DIAMETER	21.25"
LENGTH   PROJECTION	n/a
WEIGHT	3 kg   6.5 lbs
LAMPHOLDER	E26
MAX WATTAGE	40W
VOLTAGE	110/120v
ENVIRONMENTAL RATING	Dry Location (IP20)
CLASS PROTECTION	Class I
SHADE	GL131
FLEX   BAR   CHAIN LENGTH	n/a
CABLE TYPE	MLCA009   Black PVC Flexible Cable   2 Core

### FIXING BRACKET: MLWB17 | Matte Black



WWW.MULLANLIGHTING.COM

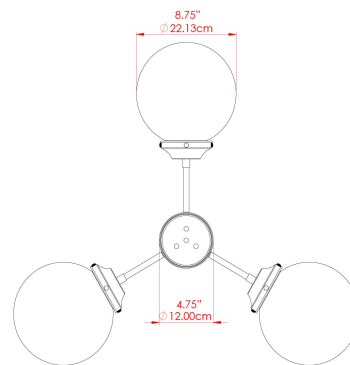
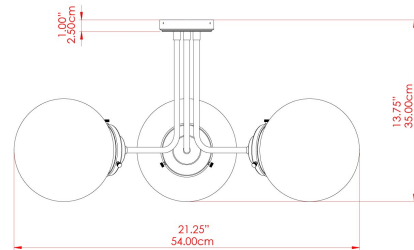
#### Product Notes:

1) Bulbs not included. 2) Dimensions do not include bulbs. 3) All products are individually made-to-order and therefore may differ slightly within manufacturing tolerances. 4) Cable / chain can be shortened during installation. Longer cable / chain lengths available on request. 5) Additional color finishes may be available on request. 6) Twisted cable is not available for UL wired products. Round cable in black or brown only is supplied instead. 7) Refer to our website for a full list of terms and conditions.



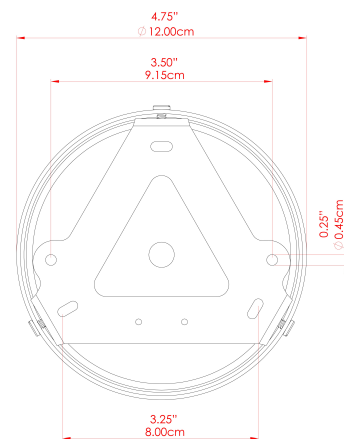
# HAYES Ceiling Light

## MLCF119PCMBKOP Matt Black



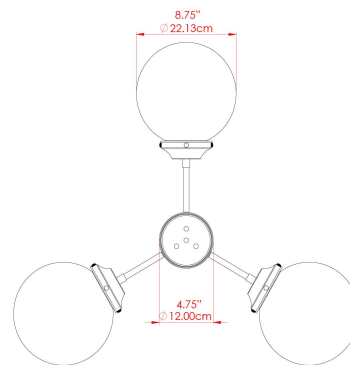
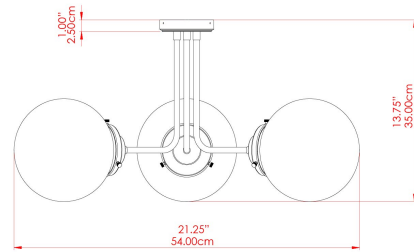
MATERIAL	Brass   Glass
HEIGHT	13.75"
WIDTH   DIAMETER	21.25"
LENGTH   PROJECTION	n/a
WEIGHT	3 kg   6.5 lbs
LAMPHOLDER	E26
MAX WATTAGE	40W
VOLTAGE	110/120v
ENVIRONMENTAL RATING	Dry Location (IP20)
CLASS PROTECTION	Class I
SHADE	GL044E
FLEX   BAR   CHAIN LENGTH	n/a
CABLE TYPE	MLCA009   Black PVC Flexible Cable   2 Core

### FIXING BRACKET: MLWB17 | Matte Black



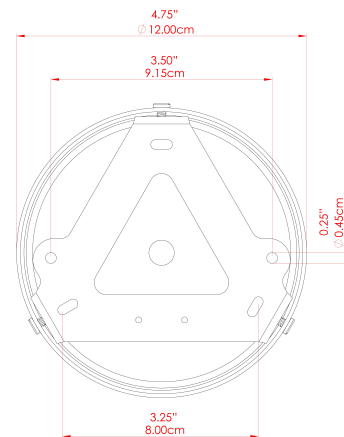
# HAYES Ceiling Light

## MLCF119POLBRSCS Polished Brass



MATERIAL	Brass   Glass
HEIGHT	13.75"
WIDTH   DIAMETER	21.25"
LENGTH   PROJECTION	n/a
WEIGHT	3 kg   6.5 lbs
LAMPHOLDER	E26
MAX WATTAGE	40W
VOLTAGE	110/120v
ENVIRONMENTAL RATING	Dry Location (IP20)
CLASS PROTECTION	Class I
SHADE	GL131
FLEX   BAR   CHAIN LENGTH	n/a
CABLE TYPE	MLCA009   Black PVC Flexible Cable   2 Core

### FIXING BRACKET: MLWB17 | Polished Brass

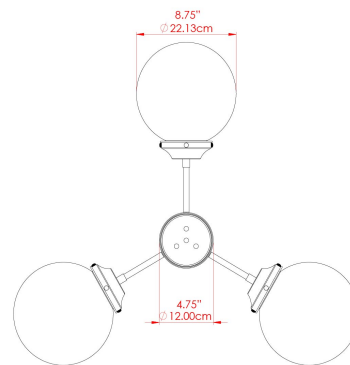
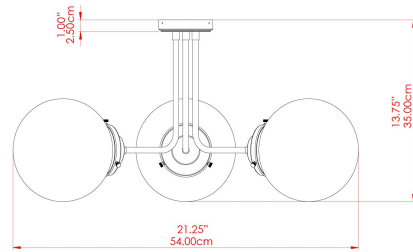


Product Notes:  
 1) Bulbs not included. 2) Dimensions do not include bulbs. 3) All products are individually made-to-order and therefore may differ slightly within manufacturing tolerances. 4) Cable / chain can be shortened during installation. Longer cable / chain lengths available on request. 5) Additional color finishes may be available on request. 6) Twisted cable is not available for UL wired products. Round cable in black or brown only is supplied instead. 7) Refer to our website for a full list of terms and conditions.



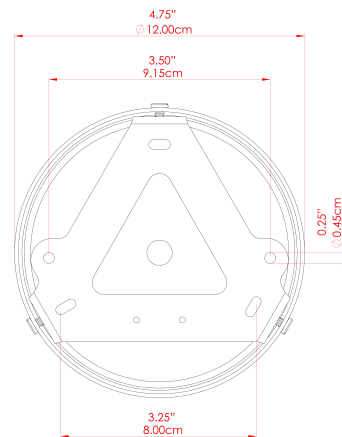
# HAYES Ceiling Light

## MLCF119POLBRSOP Polished Brass



MATERIAL	Brass   Glass
HEIGHT	13.75"
WIDTH   DIAMETER	21.25"
LENGTH   PROJECTION	n/a
WEIGHT	3 kg   6.5 lbs
LAMPHOLDER	E26
MAX WATTAGE	40W
VOLTAGE	110/120v
ENVIRONMENTAL RATING	Dry Location (IP20)
CLASS PROTECTION	Class I
SHADE	GL044E
FLEX   BAR   CHAIN LENGTH	n/a
CABLE TYPE	MLCA009   Black PVC Flexible Cable   2 Core

### FIXING BRACKET: MLWB17 | Polished Brass

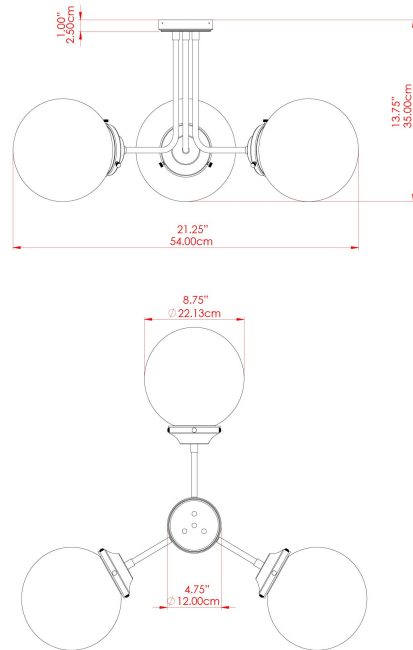


Product Notes:  
 1) Bulbs not included. 2) Dimensions do not include bulbs. 3) All products are individually made-to-order and therefore may differ slightly within manufacturing tolerances. 4) Cable / chain can be shortened during installation. Longer cable / chain lengths available on request. 5) Additional color finishes may be available on request. 6) Twisted cable is not available for UL wired products. Round cable in black or brown only is supplied instead. 7) Refer to our website for a full list of terms and conditions.



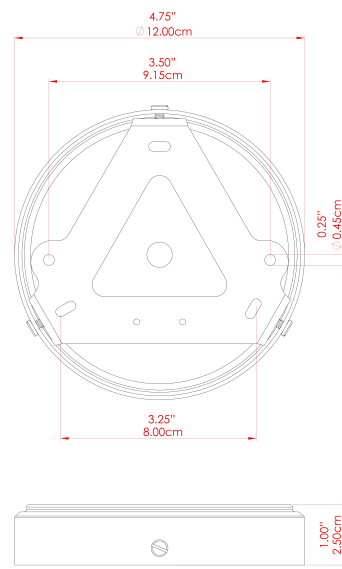
# HAYES Ceiling Light

## MLCF119SATBRSL Satin Brass



MATERIAL	Brass   Glass
HEIGHT	13.75"
WIDTH   DIAMETER	21.25"
LENGTH   PROJECTION	n/a
WEIGHT	3 kg   6.5 lbs
LAMPHOLDER	E26
MAX WATTAGE	40W
VOLTAGE	110/120v
ENVIRONMENTAL RATING	Dry Location (IP20)
CLASS PROTECTION	Class I
SHADE	GL131
FLEX   BAR   CHAIN LENGTH	n/a
CABLE TYPE	MLCA009   Black PVC Flexible Cable   2 Core

### FIXING BRACKET: MLWB17 | Satin Brass

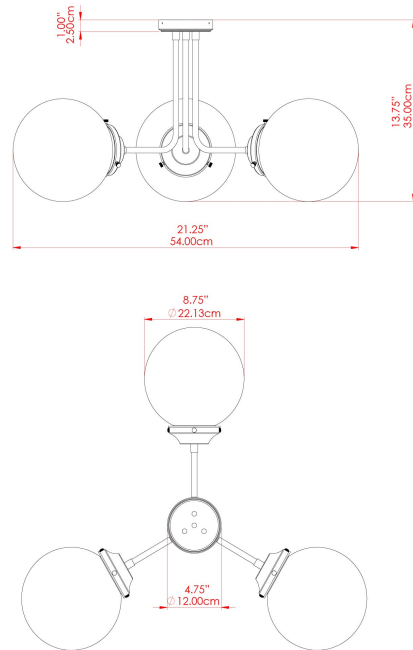


Product Notes:  
 1) Bulbs not included. 2) Dimensions do not include bulbs. 3) All products are individually made-to-order and therefore may differ slightly within manufacturing tolerances. 4) Cable / chain can be shortened during installation. Longer cable / chain lengths available on request. 5) Additional color finishes may be available on request. 6) Twisted cable is not available for UL wired products. Round cable in black or brown only is supplied instead. 7) Refer to our website for a full list of terms and conditions.



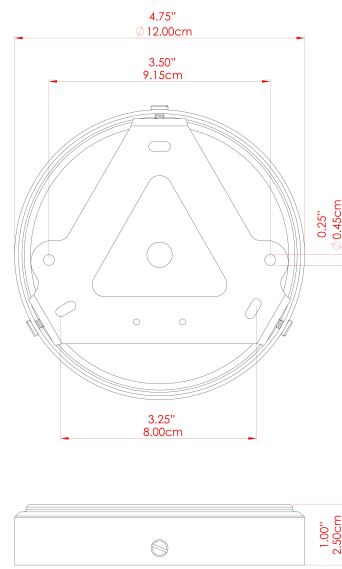
# HAYES Ceiling Light

## MLCF119SATBRSOP Satin Brass



MATERIAL	Brass   Glass
HEIGHT	13.75"
WIDTH   DIAMETER	21.25"
LENGTH   PROJECTION	n/a
WEIGHT	3 kg   6.5 lbs
LAMPHOLDER	E26
MAX WATTAGE	40W
VOLTAGE	110/120v
ENVIRONMENTAL RATING	Dry Location (IP20)
CLASS PROTECTION	Class I
SHADE	GL044E
FLEX   BAR   CHAIN LENGTH	n/a
CABLE TYPE	MLCA009   Black PVC Flexible Cable   2 Core

### FIXING BRACKET: MLWB17 | Satin Brass



Product Notes:  
 1) Bulbs not included. 2) Dimensions do not include bulbs. 3) All products are individually made-to-order and therefore may differ slightly within manufacturing tolerances. 4) Cable / chain can be shortened during installation. Longer cable / chain lengths available on request. 5) Additional color finishes may be available on request. 6) Twisted cable is not available for UL wired products. Round cable in black or brown only is supplied instead. 7) Refer to our website for a full list of terms and conditions.

