

MATERIAL	Brass Ceramic
HEIGHT	24cm 9.45"
WIDTH DIAMETER	20cm 7.87"
LENGTH PROJECTION	31-35cm 12.2-13.78"
WEIGHT	2.1KG 4.63lbs
LAMP HOLDER	G9
MAX WATTAGE	6.5W x 1
VOLTAGE	220/240v or 110/120v *
IP RATING	20
CLASS PROTECTION	I
SHADE CODE	GL196
CABLE CHAIN BAR LENGT	n/a
CABLE TYPE	-

Fixing Bracket MLBW11

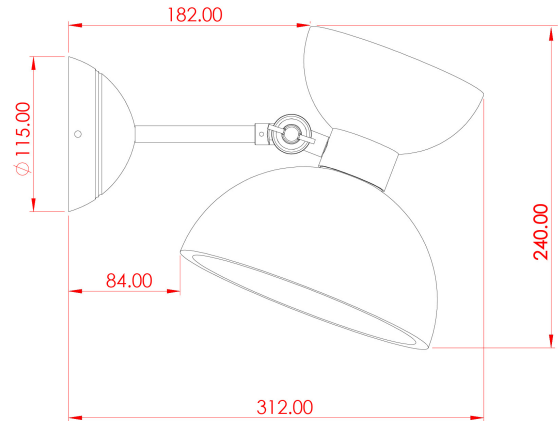
* Fixing bracket may differ for UL wired products.

Product Notes:

1) Bulbs not included. 2) Dimensions do not include bulbs. 3) All products are individually made-to-order and therefore may differ slightly within manufacturing tolerances. 4) Cable / chain can be shortened during installation. Longer cable / chain lengths available on request. 5) Additional colour finishes may be available on request. 6) UL wired products operate at 110/120v with the appropriate lamp holder. 7) Twisted cable is not available for UL wired products. Round cable in black or brown only is supplied instead. 8) Refer to our website for a full list of terms and conditions.

NAKAI Ceramic Wall Light

MLCMWL035ANTBRSFR Antique Brass



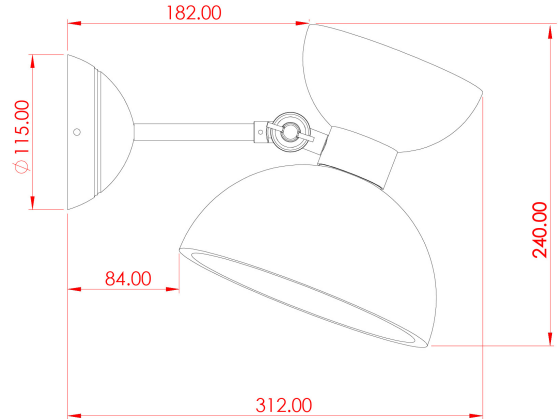
MATERIAL	Brass Ceramic
HEIGHT	24cm 9.45"
WIDTH DIAMETER	20cm 7.87"
LENGTH PROJECTION	31-35cm 12.2-13.78"
WEIGHT	2.1KG 4.63lbs
LAMP HOLDER	G9
MAX WATTAGE	6.5W x 1
VOLTAGE	220/240v or 110/120v *
IP RATING	20
CLASS PROTECTION	I
SHADE CODE	GL208
CABLE CHAIN BAR LENGT	n/a
CABLE TYPE	-

Fixing Bracket MLBW11

* Fixing bracket may differ for UL wired products.

Product Notes:

1) Bulbs not included. 2) Dimensions do not include bulbs. 3) All products are individually made-to-order and therefore may differ slightly within manufacturing tolerances. 4) Cable / chain can be shortened during installation. Longer cable / chain lengths available on request. 5) Additional colour finishes may be available on request. 6) UL wired products operate at 110/120v with the appropriate lamp holder. 7) Twisted cable is not available for UL wired products. Round cable in black or brown only is supplied instead. 8) Refer to our website for a full list of terms and conditions.



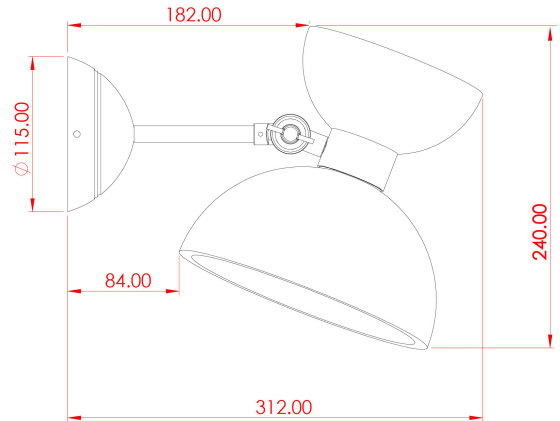
MATERIAL	Brass Ceramic
HEIGHT	24cm 9.45"
WIDTH DIAMETER	20cm 7.87"
LENGTH PROJECTION	31-35cm 12.2-13.78"
WEIGHT	2.1KG 4.63lbs
LAMP HOLDER	G9
MAX WATTAGE	6.5W x 1
VOLTAGE	220/240v or 110/120v *
IP RATING	20
CLASS PROTECTION	I
SHADE CODE	GL192
CABLE CHAIN BAR LENGT	n/a
CABLE TYPE	-

Fixing Bracket MLBW11

* Fixing bracket may differ for UL wired products.

Product Notes:

1) Bulbs not included. 2) Dimensions do not include bulbs. 3) All products are individually made-to-order and therefore may differ slightly within manufacturing tolerances. 4) Cable / chain can be shortened during installation. Longer cable / chain lengths available on request. 5) Additional colour finishes may be available on request. 6) UL wired products operate at 110/120v with the appropriate lamp holder. 7) Twisted cable is not available for UL wired products. Round cable in black or brown only is supplied instead. 8) Refer to our website for a full list of terms and conditions.



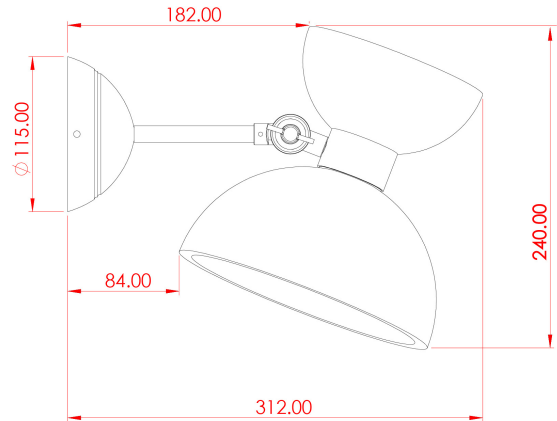
MATERIAL	Brass Ceramic
HEIGHT	24cm 9.45"
WIDTH DIAMETER	20cm 7.87"
LENGTH PROJECTION	31-35cm 12.2-13.78"
WEIGHT	2.1KG 4.63lbs
LAMP HOLDER	G9
MAX WATTAGE	6.5W x 1
VOLTAGE	220/240v or 110/120v *
IP RATING	20
CLASS PROTECTION	I
SHADE CODE	GL196
CABLE CHAIN BAR LENGT	n/a
CABLE TYPE	-

Fixing Bracket MLBW11

* Fixing bracket may differ for UL wired products.

Product Notes:

1) Bulbs not included. 2) Dimensions do not include bulbs. 3) All products are individually made-to-order and therefore may differ slightly within manufacturing tolerances. 4) Cable / chain can be shortened during installation. Longer cable / chain lengths available on request. 5) Additional colour finishes may be available on request. 6) UL wired products operate at 110/120v with the appropriate lamp holder. 7) Twisted cable is not available for UL wired products. Round cable in black or brown only is supplied instead. 8) Refer to our website for a full list of terms and conditions.



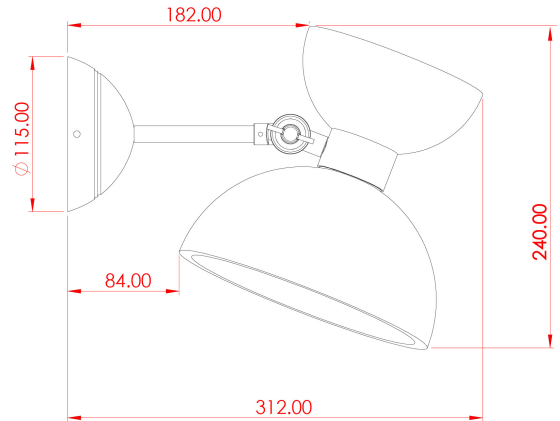
MATERIAL	Brass Ceramic
HEIGHT	24cm 9.45"
WIDTH DIAMETER	20cm 7.87"
LENGTH PROJECTION	31-35cm 12.2-13.78"
WEIGHT	2.1KG 4.63lbs
LAMP HOLDER	G9
MAX WATTAGE	6.5W x 1
VOLTAGE	220/240v or 110/120v *
IP RATING	20
CLASS PROTECTION	I
SHADE CODE	GL208
CABLE CHAIN BAR LENGT	n/a
CABLE TYPE	-

Fixing Bracket MLBW11

* Fixing bracket may differ for UL wired products.

Product Notes:

1) Bulbs not included. 2) Dimensions do not include bulbs. 3) All products are individually made-to-order and therefore may differ slightly within manufacturing tolerances. 4) Cable / chain can be shortened during installation. Longer cable / chain lengths available on request. 5) Additional colour finishes may be available on request. 6) UL wired products operate at 110/120v with the appropriate lamp holder. 7) Twisted cable is not available for UL wired products. Round cable in black or brown only is supplied instead. 8) Refer to our website for a full list of terms and conditions.



MATERIAL	Brass Ceramic
HEIGHT	24cm 9.45"
WIDTH DIAMETER	20cm 7.87"
LENGTH PROJECTION	31-35cm 12.2-13.78"
WEIGHT	2.1KG 4.63lbs
LAMP HOLDER	G9
MAX WATTAGE	6.5W x 1
VOLTAGE	220/240v or 110/120v *
IP RATING	20
CLASS PROTECTION	I
SHADE CODE	GL192
CABLE CHAIN BAR LENGT	n/a
CABLE TYPE	-

Fixing Bracket MLBW11

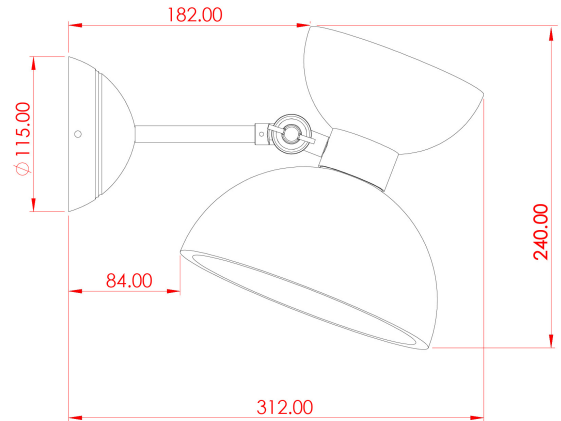
* Fixing bracket may differ for UL wired products.

Product Notes:

1) Bulbs not included. 2) Dimensions do not include bulbs. 3) All products are individually made-to-order and therefore may differ slightly within manufacturing tolerances. 4) Cable / chain can be shortened during installation. Longer cable / chain lengths available on request. 5) Additional colour finishes may be available on request. 6) UL wired products operate at 110/120v with the appropriate lamp holder. 7) Twisted cable is not available for UL wired products. Round cable in black or brown only is supplied instead. 8) Refer to our website for a full list of terms and conditions.

NAKAI Ceramic Wall Light

MLCMWL035PCMBKCL Matt Black



MATERIAL	Brass Ceramic
HEIGHT	24cm 9.45"
WIDTH DIAMETER	20cm 7.87"
LENGTH PROJECTION	31-35cm 12.2-13.78"
WEIGHT	2.1KG 4.63lbs
LAMP HOLDER	G9
MAX WATTAGE	25W x 1
VOLTAGE	220/240v or 110/120v *
IP RATING	20
CLASS PROTECTION	I
SHADE CODE	GL196
CABLE CHAIN BAR LENGT	n/a
CABLE TYPE	-

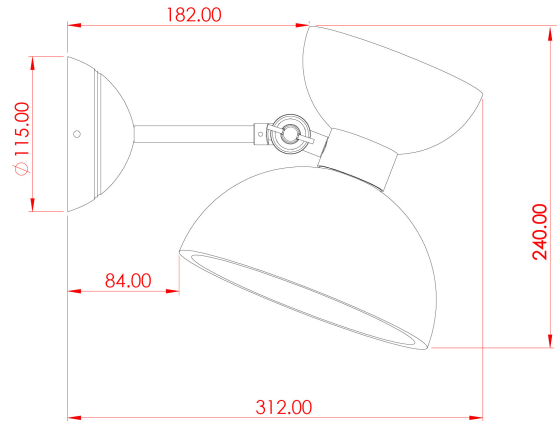
Fixing Bracket MLBW11
 * Fixing bracket may differ for UL wired products.

Product Notes:

1) Bulbs not included. 2) Dimensions do not include bulbs. 3) All products are individually made-to-order and therefore may differ slightly within manufacturing tolerances. 4) Cable / chain can be shortened during installation. Longer cable / chain lengths available on request. 5) Additional colour finishes may be available on request. 6) UL wired products operate at 110/120v with the appropriate lamp holder. 7) Twisted cable is not available for UL wired products. Round cable in black or brown only is supplied instead. 8) Refer to our website for a full list of terms and conditions.

NAKAII Ceramic Wall Light

MLCMWL035PCMBKFR Matt Black



MATERIAL	Brass Ceramic
HEIGHT	24cm 9.45"
WIDTH DIAMETER	20cm 7.87"
LENGTH PROJECTION	31-35cm 12.2-13.78"
WEIGHT	2.1KG 4.63lbs
LAMP HOLDER	G9
MAX WATTAGE	25W x 1
VOLTAGE	220/240v or 110/120v *
IP RATING	20
CLASS PROTECTION	I
SHADE CODE	GL208
CABLE CHAIN BAR LENGT	n/a
CABLE TYPE	-

Fixing Bracket MLBW11

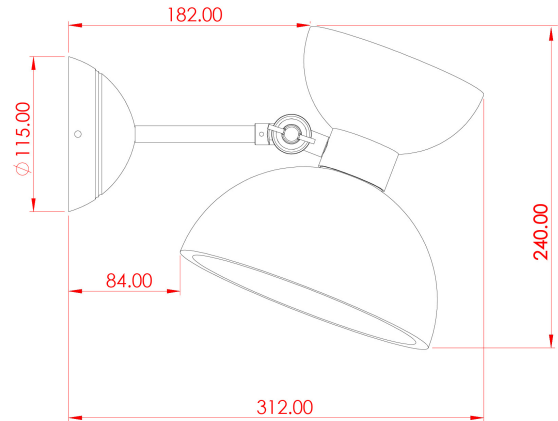
* Fixing bracket may differ for UL wired products.

Product Notes:

1) Bulbs not included. 2) Dimensions do not include bulbs. 3) All products are individually made-to-order and therefore may differ slightly within manufacturing tolerances. 4) Cable / chain can be shortened during installation. Longer cable / chain lengths available on request. 5) Additional colour finishes may be available on request. 6) UL wired products operate at 110/120v with the appropriate lamp holder. 7) Twisted cable is not available for UL wired products. Round cable in black or brown only is supplied instead. 8) Refer to our website for a full list of terms and conditions.

NAKAI Ceramic Wall Light

MLCMWL035PCMBKOP Matt Black



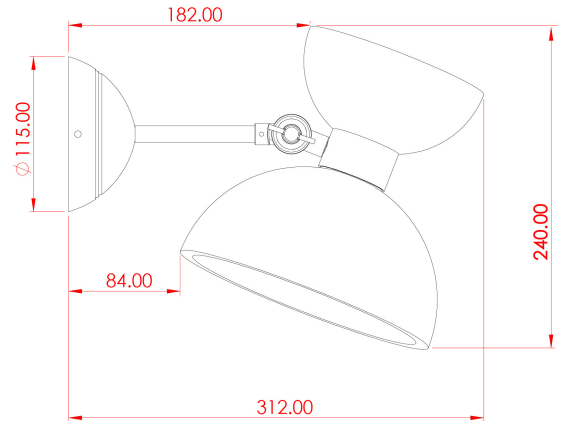
MATERIAL	Brass Ceramic
HEIGHT	24cm 9.45"
WIDTH DIAMETER	20cm 7.87"
LENGTH PROJECTION	31-35cm 12.2-13.78"
WEIGHT	2.1KG 4.63lbs
LAMP HOLDER	G9
MAX WATTAGE	25W x 1
VOLTAGE	220/240v or 110/120v *
IP RATING	20
CLASS PROTECTION	I
SHADE CODE	GL192
CABLE CHAIN BAR LENGT	n/a
CABLE TYPE	-

Fixing Bracket MLBW11

* Fixing bracket may differ for UL wired products.

Product Notes:

1) Bulbs not included. 2) Dimensions do not include bulbs. 3) All products are individually made-to-order and therefore may differ slightly within manufacturing tolerances. 4) Cable / chain can be shortened during installation. Longer cable / chain lengths available on request. 5) Additional colour finishes may be available on request. 6) UL wired products operate at 110/120v with the appropriate lamp holder. 7) Twisted cable is not available for UL wired products. Round cable in black or brown only is supplied instead. 8) Refer to our website for a full list of terms and conditions.

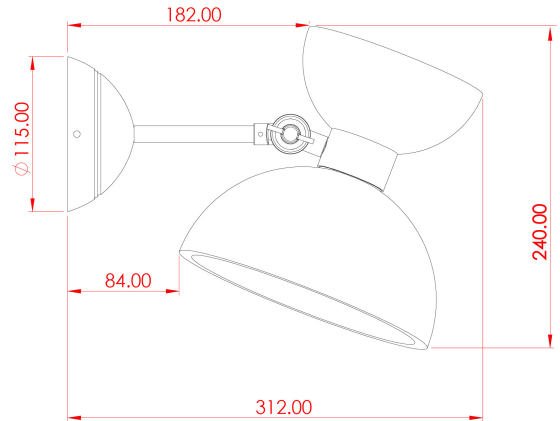


MATERIAL	Brass Ceramic
HEIGHT	24cm 9.45"
WIDTH DIAMETER	20cm 7.87"
LENGTH PROJECTION	31-35cm 12.2-13.78"
WEIGHT	2.1KG 4.63lbs
LAMP HOLDER	G9
MAX WATTAGE	25W x 1
VOLTAGE	220/240v or 110/120v *
IP RATING	20
CLASS PROTECTION	I
SHADE CODE	GL196
CABLE CHAIN BAR LENGT	n/a
CABLE TYPE	-

Fixing Bracket MLBW11
 * Fixing bracket may differ for UL wired products.

Product Notes:

1) Bulbs not included. 2) Dimensions do not include bulbs. 3) All products are individually made-to-order and therefore may differ slightly within manufacturing tolerances. 4) Cable / chain can be shortened during installation. Longer cable / chain lengths available on request. 5) Additional colour finishes may be available on request. 6) UL wired products operate at 110/120v with the appropriate lamp holder. 7) Twisted cable is not available for UL wired products. Round cable in black or brown only is supplied instead. 8) Refer to our website for a full list of terms and conditions.



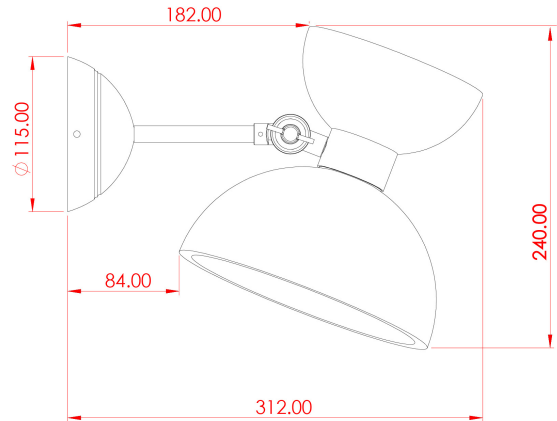
MATERIAL	Brass Ceramic
HEIGHT	24cm 9.45"
WIDTH DIAMETER	20cm 7.87"
LENGTH PROJECTION	31-35cm 12.2-13.78"
WEIGHT	2.1KG 4.63lbs
LAMP HOLDER	G9
MAX WATTAGE	25W x 1
VOLTAGE	220/240v or 110/120v*
IP RATING	20
CLASS PROTECTION	I
SHADE CODE	GL208
CABLE CHAIN BAR LENGT	n/a
CABLE TYPE	-

Fixing Bracket MLBW11

* Fixing bracket may differ for UL wired products.

Product Notes:

1) Bulbs not included. 2) Dimensions do not include bulbs. 3) All products are individually made-to-order and therefore may differ slightly within manufacturing tolerances. 4) Cable / chain can be shortened during installation. Longer cable / chain lengths available on request. 5) Additional colour finishes may be available on request. 6) UL wired products operate at 110/120v with the appropriate lamp holder. 7) Twisted cable is not available for UL wired products. Round cable in black or brown only is supplied instead. 8) Refer to our website for a full list of terms and conditions.



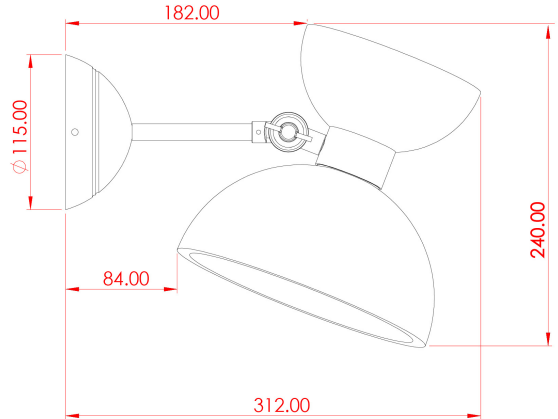
MATERIAL	Brass Ceramic
HEIGHT	24cm 9.45"
WIDTH DIAMETER	20cm 7.87"
LENGTH PROJECTION	31-35cm 12.2-13.78"
WEIGHT	2.1KG 4.63lbs
LAMP HOLDER	G9
MAX WATTAGE	25W x 1
VOLTAGE	220/240v or 110/120v *
IP RATING	20
CLASS PROTECTION	I
SHADE CODE	GL192
CABLE CHAIN BAR LENGT	n/a
CABLE TYPE	-

Fixing Bracket MLBW11

* Fixing bracket may differ for UL wired products.

Product Notes:

1) Bulbs not included. 2) Dimensions do not include bulbs. 3) All products are individually made-to-order and therefore may differ slightly within manufacturing tolerances. 4) Cable / chain can be shortened during installation. Longer cable / chain lengths available on request. 5) Additional colour finishes may be available on request. 6) UL wired products operate at 110/120v with the appropriate lamp holder. 7) Twisted cable is not available for UL wired products. Round cable in black or brown only is supplied instead. 8) Refer to our website for a full list of terms and conditions.



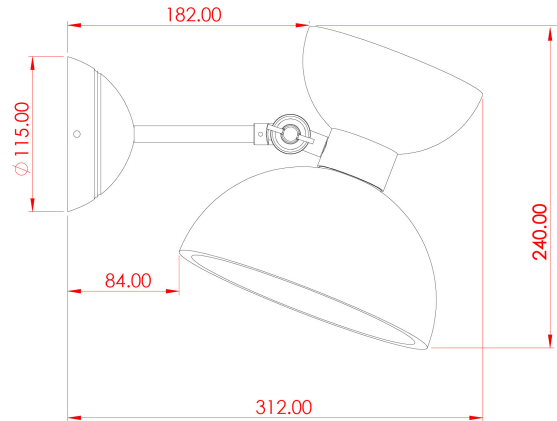
MATERIAL	Brass Ceramic
HEIGHT	24cm 9.45"
WIDTH DIAMETER	20cm 7.87"
LENGTH PROJECTION	31-35cm 12.2-13.78"
WEIGHT	2.1KG 4.63lbs
LAMP HOLDER	G9
MAX WATTAGE	25W x 1
VOLTAGE	220/240v or 110/120v *
IP RATING	20
CLASS PROTECTION	I
SHADE CODE	GL196
CABLE CHAIN BAR LENGT	n/a
CABLE TYPE	-

Fixing Bracket MLBW11

* Fixing bracket may differ for UL wired products.

Product Notes:

1) Bulbs not included. 2) Dimensions do not include bulbs. 3) All products are individually made-to-order and therefore may differ slightly within manufacturing tolerances. 4) Cable / chain can be shortened during installation. Longer cable / chain lengths available on request. 5) Additional colour finishes may be available on request. 6) UL wired products operate at 110/120v with the appropriate lamp holder. 7) Twisted cable is not available for UL wired products. Round cable in black or brown only is supplied instead. 8) Refer to our website for a full list of terms and conditions.



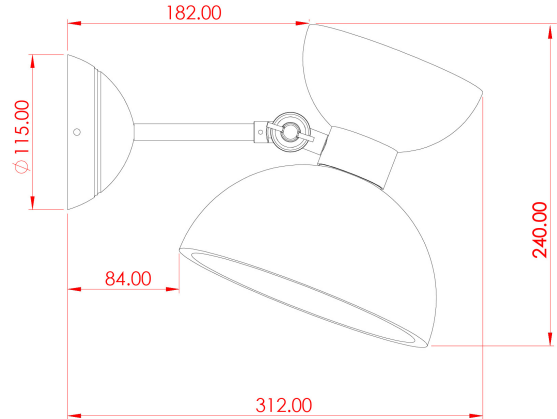
MATERIAL	Brass Ceramic
HEIGHT	24cm 9.45"
WIDTH DIAMETER	20cm 7.87"
LENGTH PROJECTION	31-35cm 12.2-13.78"
WEIGHT	2.1KG 4.63lbs
LAMP HOLDER	G9
MAX WATTAGE	25W x 1
VOLTAGE	220/240v or 110/120v *
IP RATING	20
CLASS PROTECTION	I
SHADE CODE	GL208
CABLE CHAIN BAR LENGT	n/a
CABLE TYPE	-

Fixing Bracket MLBW11

* Fixing bracket may differ for UL wired products.

Product Notes:

1) Bulbs not included. 2) Dimensions do not include bulbs. 3) All products are individually made-to-order and therefore may differ slightly within manufacturing tolerances. 4) Cable / chain can be shortened during installation. Longer cable / chain lengths available on request. 5) Additional colour finishes may be available on request. 6) UL wired products operate at 110/120v with the appropriate lamp holder. 7) Twisted cable is not available for UL wired products. Round cable in black or brown only is supplied instead. 8) Refer to our website for a full list of terms and conditions.



MATERIAL	Brass Ceramic
HEIGHT	24cm 9.45"
WIDTH DIAMETER	20cm 7.87"
LENGTH PROJECTION	31-35cm 12.2-13.78"
WEIGHT	2.1KG 4.63lbs
LAMP HOLDER	G9
MAX WATTAGE	25W x 1
VOLTAGE	220/240v or 110/120v *
IP RATING	20
CLASS PROTECTION	I
SHADE CODE	GL192
CABLE CHAIN BAR LENGT	n/a
CABLE TYPE	-

Fixing Bracket MLBW11

* Fixing bracket may differ for UL wired products.

Product Notes:

1) Bulbs not included. 2) Dimensions do not include bulbs. 3) All products are individually made-to-order and therefore may differ slightly within manufacturing tolerances. 4) Cable / chain can be shortened during installation. Longer cable / chain lengths available on request. 5) Additional colour finishes may be available on request. 6) UL wired products operate at 110/120v with the appropriate lamp holder. 7) Twisted cable is not available for UL wired products. Round cable in black or brown only is supplied instead. 8) Refer to our website for a full list of terms and conditions.