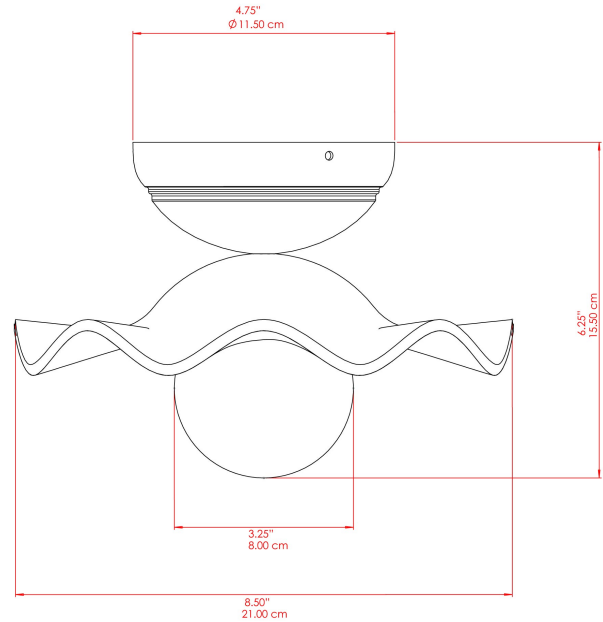




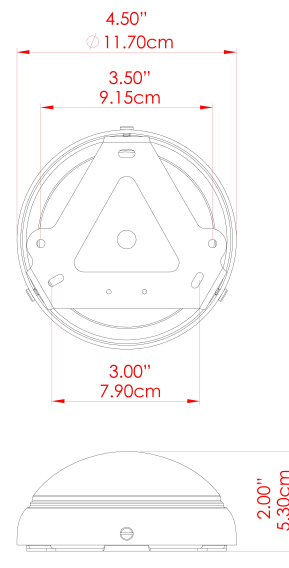
## RIVALE Ceramic Ceiling Fitting

MLCMCF021ANTBRSCl Antique Brass



MATERIAL	Brass   Ceramic   Glass
HEIGHT	6"
WIDTH   DIAMETER	8.25"
LENGTH   PROJECTION	n/a
WEIGHT	0.7 kg   1.5 lbs
LAMPHOLDER	G9
MAX WATTAGE	5W
VOLTAGE	110/120v
ENVIRONMENTAL RATING	Dry Location (IP20)
CLASS PROTECTION	Class I
SHADE	GL196   MLCS061
FLEX   BAR   CHAIN LENGTH	n/a
CABLE TYPE	

FIXING BRACKET: MLWB11



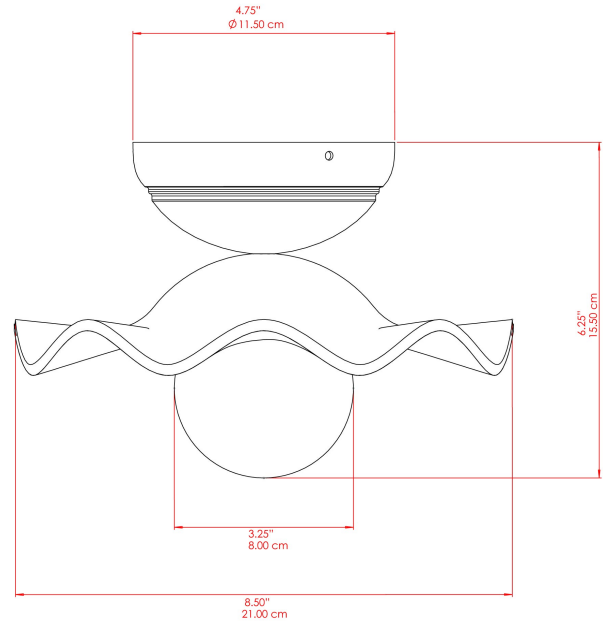
Product Notes:  
1) Bulbs not included. 2) Dimensions do not include bulbs. 3) All products are individually made-to-order and therefore may differ slightly within manufacturing tolerances. 4) Cable / chain can be shortened during installation. Longer cable / chain lengths available on request. 5) Additional color finishes may be available on request. 6) Twisted cable is not available for UL wired products. Round cable in black or brown only is supplied instead. 7) Refer to our website for a full list of terms and conditions.





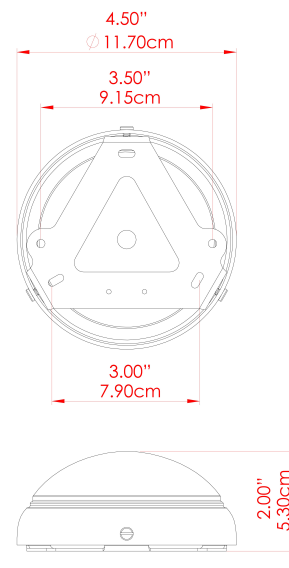
## RIVALE Ceramic Ceiling Fitting

MLCMCF021ANTBRSFR Antique Brass



MATERIAL	Brass   Ceramic   Glass
HEIGHT	6"
WIDTH   DIAMETER	8.25"
LENGTH   PROJECTION	n/a
WEIGHT	0.7 kg   1.5 lbs
LAMPHOLDER	G9
MAX WATTAGE	5W
VOLTAGE	110/120v
ENVIRONMENTAL RATING	Dry Location (IP20)
CLASS PROTECTION	Class I
SHADE	GL208   MLCS061
FLEX   BAR   CHAIN LENGTH	n/a
CABLE TYPE	

FIXING BRACKET: MLWB11

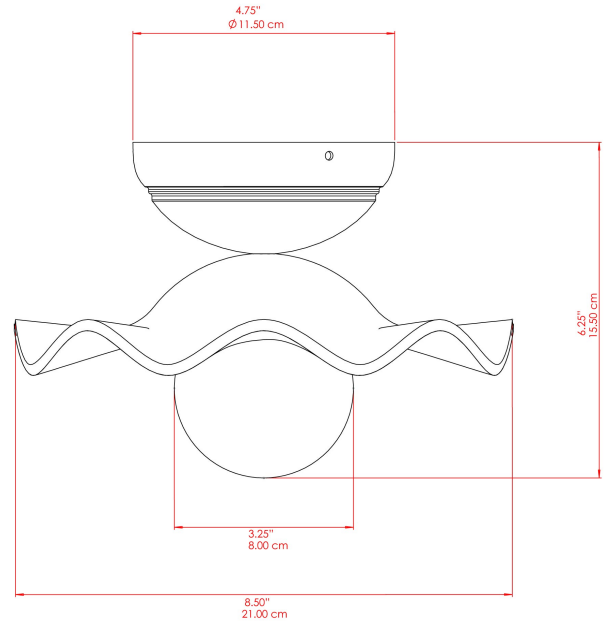


Product Notes:  
1) Bulbs not included. 2) Dimensions do not include bulbs. 3) All products are individually made-to-order and therefore may differ slightly within manufacturing tolerances. 4) Cable / chain can be shortened during installation. Longer cable / chain lengths available on request. 5) Additional color finishes may be available on request. 6) Twisted cable is not available for UL wired products. Round cable in black or brown only is supplied instead. 7) Refer to our website for a full list of terms and conditions.



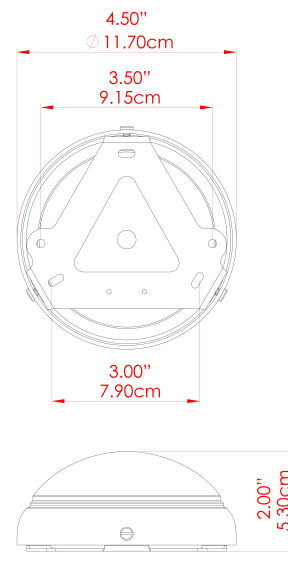
# RIVALE Ceramic Ceiling Fitting

# MLCMCF021ANTBRS Antique Brass



MATERIAL	Brass   Ceramic   Glass
HEIGHT	6"
WIDTH   DIAMETER	8.25"
LENGTH   PROJECTION	n/a
WEIGHT	0.7 kg   1.5 lbs
LAMPHOLDER	G9
MAX WATTAGE	5W
VOLTAGE	110/120v
ENVIRONMENTAL RATING	Dry Location (IP20)
CLASS PROTECTION	Class I
SHADE	GL192   MLCS061
FLEX   BAR   CHAIN LENGTH	n/a
CABLE TYPE	

## FIXING BRACKET: MLWB11



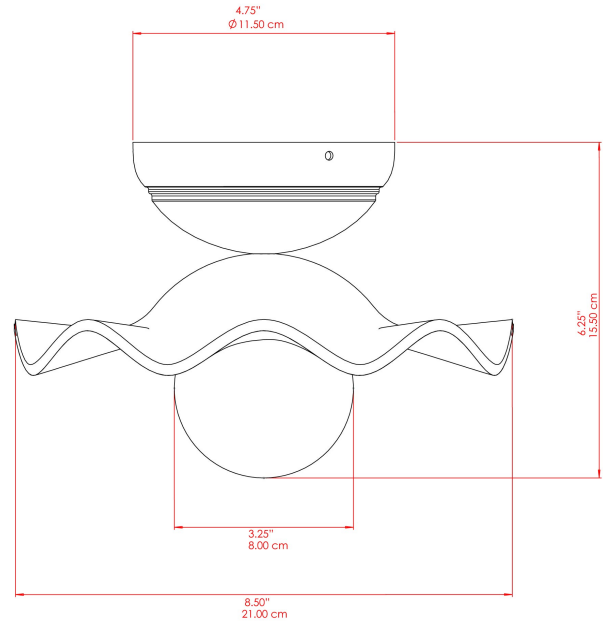
Product Notes:  
 1) Bulbs not included. 2) Dimensions do not include bulbs. 3) All products are individually made-to-order and therefore may differ slightly within manufacturing tolerances. 4) Cable / chain can be shortened during installation. Longer cable / chain lengths available on request. 5) Additional color finishes may be available on request. 6) Twisted cable is not available for UL wired products. Round cable in black or brown only is supplied instead. 7) Refer to our website for a full list of terms and conditions.





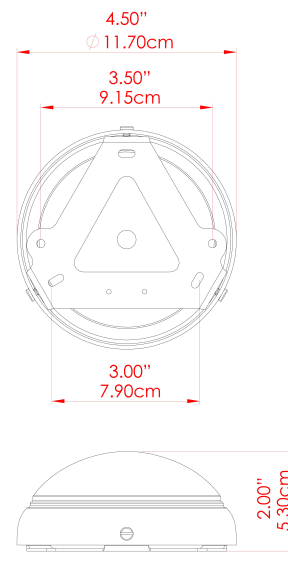
## RIVALE Ceramic Ceiling Fitting

MLCMCF021ANTSLVCL Antique Silver



MATERIAL	Brass   Ceramic   Glass
HEIGHT	6"
WIDTH   DIAMETER	8.25"
LENGTH   PROJECTION	n/a
WEIGHT	0.7 kg   1.5 lbs
LAMPHOLDER	G9
MAX WATTAGE	5W
VOLTAGE	110/120v
ENVIRONMENTAL RATING	Dry Location (IP20)
CLASS PROTECTION	Class I
SHADE	GL196   MLCS061
FLEX   BAR   CHAIN LENGTH	n/a
CABLE TYPE	

FIXING BRACKET: MLWB11



WWW.MULLANLIGHTING.COM

**Product Notes:**

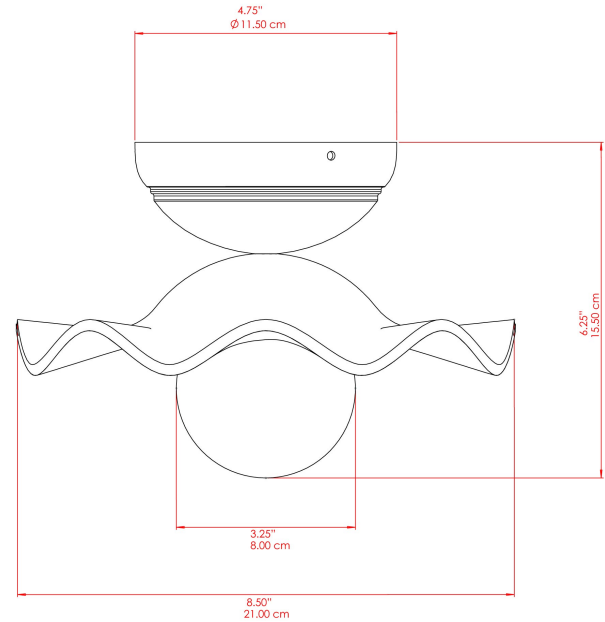
1) Bulbs not included. 2) Dimensions do not include bulbs. 3) All products are individually made-to-order and therefore may differ slightly within manufacturing tolerances. 4) Cable / chain can be shortened during installation. Longer cable / chain lengths available on request. 5) Additional color finishes may be available on request. 6) Twisted cable is not available for UL wired products. Round cable in black or brown only is supplied instead. 7) Refer to our website for a full list of terms and conditions.





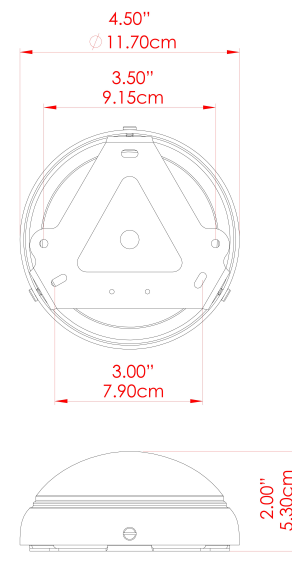
## RIVALE Ceramic Ceiling Fitting

MLCMCF021ANTSLVFR Antique Silver



MATERIAL	Brass   Ceramic   Glass
HEIGHT	6"
WIDTH   DIAMETER	8.25"
LENGTH   PROJECTION	n/a
WEIGHT	0.7 kg   1.5 lbs
LAMPHOLDER	G9
MAX WATTAGE	5W
VOLTAGE	110/120v
ENVIRONMENTAL RATING	Dry Location (IP20)
CLASS PROTECTION	Class I
SHADE	GL208   MLCS061
FLEX   BAR   CHAIN LENGTH	n/a
CABLE TYPE	

FIXING BRACKET: MLWB11



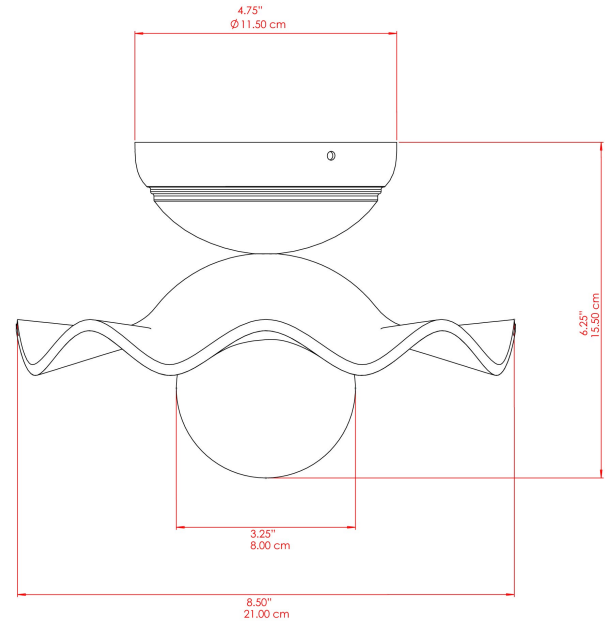
Product Notes:  
1) Bulbs not included. 2) Dimensions do not include bulbs. 3) All products are individually made-to-order and therefore may differ slightly within manufacturing tolerances. 4) Cable / chain can be shortened during installation. Longer cable / chain lengths available on request. 5) Additional color finishes may be available on request. 6) Twisted cable is not available for UL wired products. Round cable in black or brown only is supplied instead. 7) Refer to our website for a full list of terms and conditions.





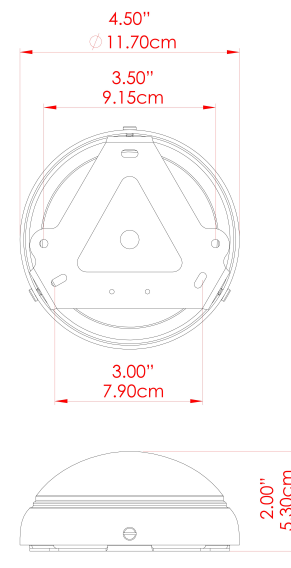
## RIVALE Ceramic Ceiling Fitting

MLCMCF021ANTSLV Antique Silver



MATERIAL	Brass   Ceramic   Glass
HEIGHT	6"
WIDTH   DIAMETER	8.25"
LENGTH   PROJECTION	n/a
WEIGHT	0.7 kg   1.5 lbs
LAMPHOLDER	G9
MAX WATTAGE	5W
VOLTAGE	110/120v
ENVIRONMENTAL RATING	Dry Location (IP20)
CLASS PROTECTION	Class I
SHADE	GL192   MLCS061
FLEX   BAR   CHAIN LENGTH	n/a
CABLE TYPE	

FIXING BRACKET: MLWB11



WWW.MULLANLIGHTING.COM

**Product Notes:**

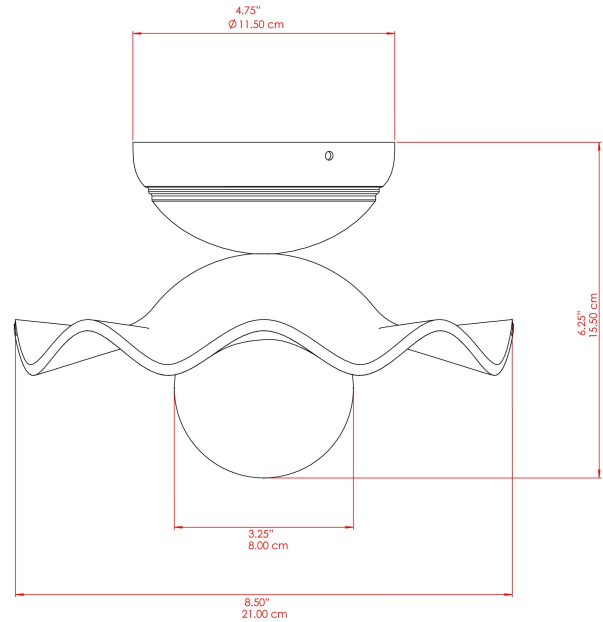
1) Bulbs not included. 2) Dimensions do not include bulbs. 3) All products are individually made-to-order and therefore may differ slightly within manufacturing tolerances. 4) Cable / chain can be shortened during installation. Longer cable / chain lengths available on request. 5) Additional color finishes may be available on request. 6) Twisted cable is not available for UL wired products. Round cable in black or brown only is supplied instead. 7) Refer to our website for a full list of terms and conditions.





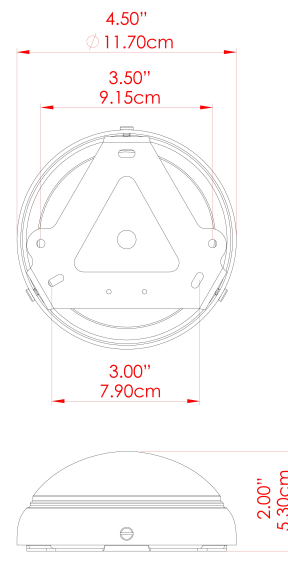
## RIVALE Ceramic Ceiling Fitting

MLCMCF021PCMBKCL Matt Black



MATERIAL	Brass   Ceramic   Glass
HEIGHT	6"
WIDTH   DIAMETER	8.25"
LENGTH   PROJECTION	n/a
WEIGHT	0.7 kg   1.5 lbs
LAMPHOLDER	G9
MAX WATTAGE	5W
VOLTAGE	110/120v
ENVIRONMENTAL RATING	Dry Location (IP20)
CLASS PROTECTION	Class I
SHADE	GL196   MLCS061
FLEX   BAR   CHAIN LENGTH	n/a
CABLE TYPE	

FIXING BRACKET: MLWB11



WWW.MULLANLIGHTING.COM

### Product Notes:

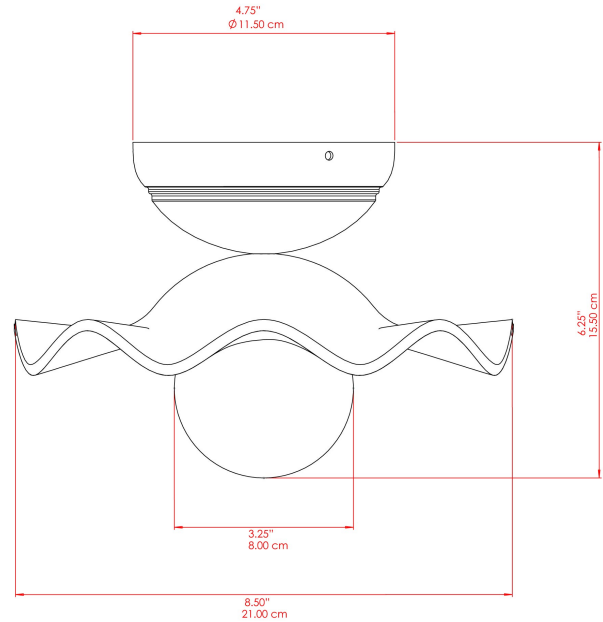
1) Bulbs not included. 2) Dimensions do not include bulbs. 3) All products are individually made-to-order and therefore may differ slightly within manufacturing tolerances. 4) Cable / chain can be shortened during installation. Longer cable / chain lengths available on request. 5) Additional color finishes may be available on request. 6) Twisted cable is not available for UL wired products. Round cable in black or brown only is supplied instead. 7) Refer to our website for a full list of terms and conditions.





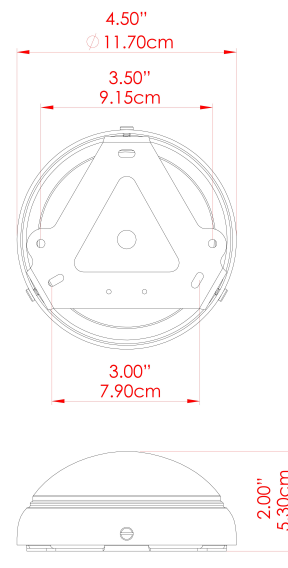
## RIVALE Ceramic Ceiling Fitting

MLCMCF021PCMBKFR Matt Black



MATERIAL	Brass   Ceramic   Glass
HEIGHT	6"
WIDTH   DIAMETER	8.25"
LENGTH   PROJECTION	n/a
WEIGHT	0.7 kg   1.5 lbs
LAMPHOLDER	G9
MAX WATTAGE	5W
VOLTAGE	110/120v
ENVIRONMENTAL RATING	Dry Location (IP20)
CLASS PROTECTION	Class I
SHADE	GL208   MLCS061
FLEX   BAR   CHAIN LENGTH	n/a
CABLE TYPE	

FIXING BRACKET: MLWB11



WWW.MULLANLIGHTING.COM

**Product Notes:**

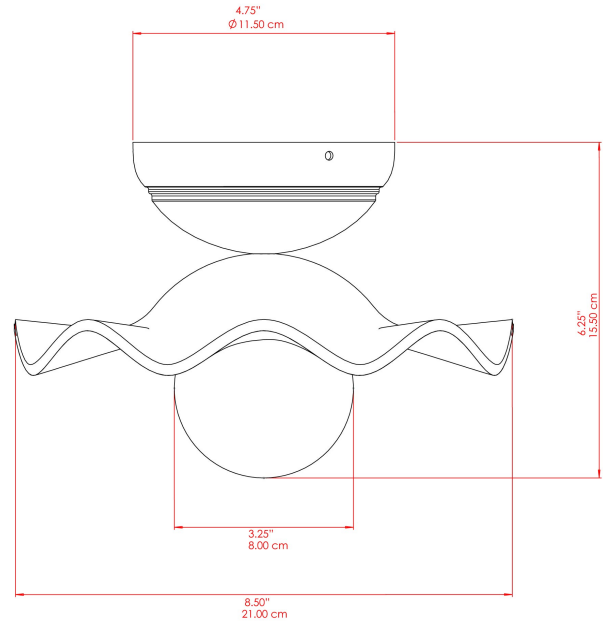
1) Bulbs not included. 2) Dimensions do not include bulbs. 3) All products are individually made-to-order and therefore may differ slightly within manufacturing tolerances. 4) Cable / chain can be shortened during installation. Longer cable / chain lengths available on request. 5) Additional color finishes may be available on request. 6) Twisted cable is not available for UL wired products. Round cable in black or brown only is supplied instead. 7) Refer to our website for a full list of terms and conditions.





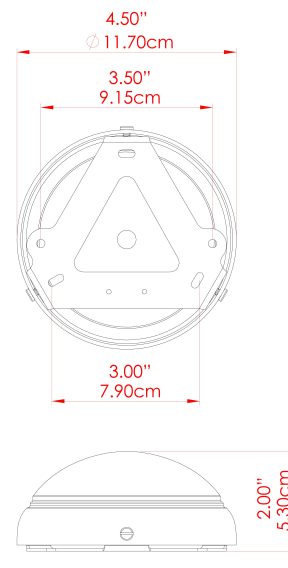
## RIVALE Ceramic Ceiling Fitting

MLCMCF021PCMBK Matt Black



MATERIAL	Brass   Ceramic   Glass
HEIGHT	6"
WIDTH   DIAMETER	8.25"
LENGTH   PROJECTION	n/a
WEIGHT	0.7 kg   1.5 lbs
LAMPHOLDER	G9
MAX WATTAGE	5W
VOLTAGE	110/120v
ENVIRONMENTAL RATING	Dry Location (IP20)
CLASS PROTECTION	Class I
SHADE	GL192   MLCS061
FLEX   BAR   CHAIN LENGTH	n/a
CABLE TYPE	

FIXING BRACKET: MLWB11



WWW.MULLANLIGHTING.COM

### Product Notes:

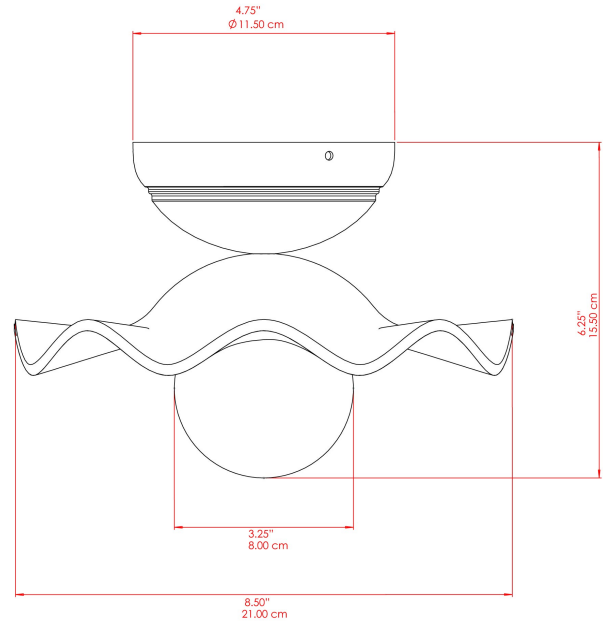
1) Bulbs not included. 2) Dimensions do not include bulbs. 3) All products are individually made-to-order and therefore may differ slightly within manufacturing tolerances. 4) Cable / chain can be shortened during installation. Longer cable / chain lengths available on request. 5) Additional color finishes may be available on request. 6) Twisted cable is not available for UL wired products. Round cable in black or brown only is supplied instead. 7) Refer to our website for a full list of terms and conditions.





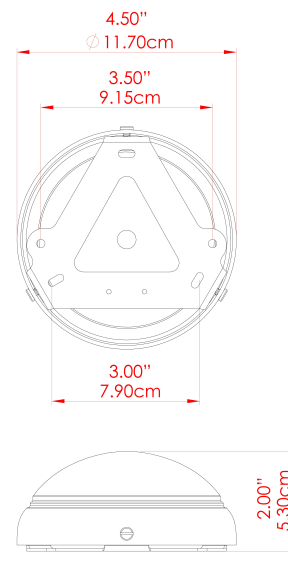
## RIVALE Ceramic Ceiling Fitting

MLCMCF021POLBRSCl Polished Brass



MATERIAL	Brass   Ceramic   Glass
HEIGHT	6"
WIDTH   DIAMETER	8.25"
LENGTH   PROJECTION	n/a
WEIGHT	0.7 kg   1.5 lbs
LAMPHOLDER	G9
MAX WATTAGE	5W
VOLTAGE	110/120v
ENVIRONMENTAL RATING	Dry Location (IP20)
CLASS PROTECTION	Class I
SHADE	GL196   MLCS061
FLEX   BAR   CHAIN LENGTH	n/a
CABLE TYPE	

FIXING BRACKET: MLWB11



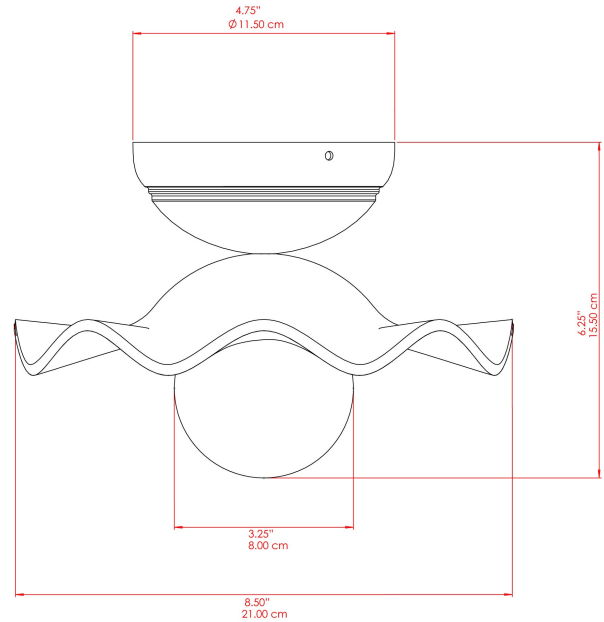
Product Notes:  
1) Bulbs not included. 2) Dimensions do not include bulbs. 3) All products are individually made-to-order and therefore may differ slightly within manufacturing tolerances. 4) Cable / chain can be shortened during installation. Longer cable / chain lengths available on request. 5) Additional color finishes may be available on request. 6) Twisted cable is not available for UL wired products. Round cable in black or brown only is supplied instead. 7) Refer to our website for a full list of terms and conditions.





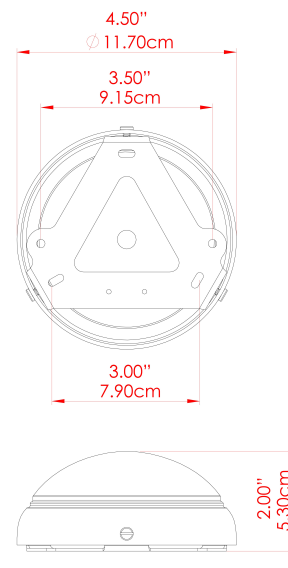
## RIVALE Ceramic Ceiling Fitting

MLCMCF021POLBRSFR Polished Brass



MATERIAL	Brass   Ceramic   Glass
HEIGHT	6"
WIDTH   DIAMETER	8.25"
LENGTH   PROJECTION	n/a
WEIGHT	0.7 kg   1.5 lbs
LAMPHOLDER	G9
MAX WATTAGE	5W
VOLTAGE	110/120v
ENVIRONMENTAL RATING	Dry Location (IP20)
CLASS PROTECTION	Class I
SHADE	GL208   MLCS061
FLEX   BAR   CHAIN LENGTH	n/a
CABLE TYPE	

FIXING BRACKET: MLWB11



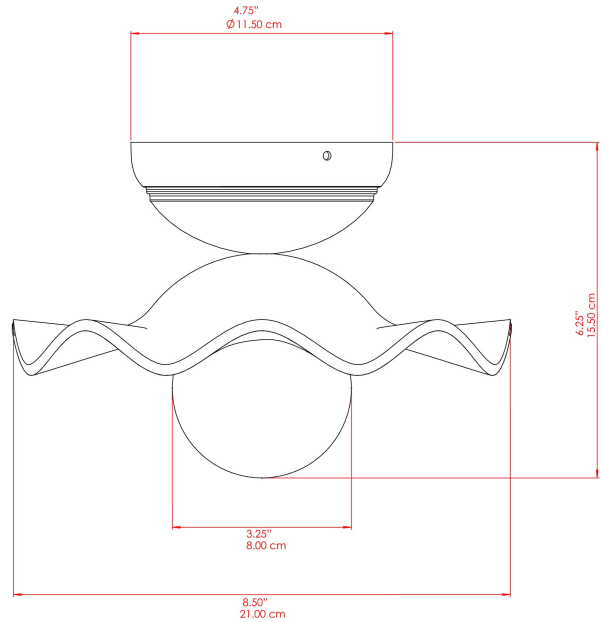
Product Notes:  
1) Bulbs not included. 2) Dimensions do not include bulbs. 3) All products are individually made-to-order and therefore may differ slightly within manufacturing tolerances. 4) Cable / chain can be shortened during installation. Longer cable / chain lengths available on request. 5) Additional color finishes may be available on request. 6) Twisted cable is not available for UL wired products. Round cable in black or brown only is supplied instead. 7) Refer to our website for a full list of terms and conditions.





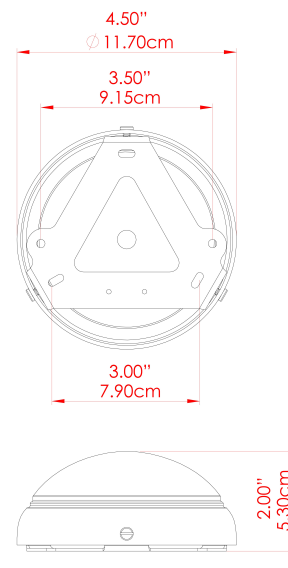
## RIVALE Ceramic Ceiling Fitting

MLCMCF021POLBRS Polished Brass



MATERIAL	Brass   Ceramic   Glass
HEIGHT	6"
WIDTH   DIAMETER	8.25"
LENGTH   PROJECTION	n/a
WEIGHT	0.7 kg   1.5 lbs
LAMPHOLDER	G9
MAX WATTAGE	5W
VOLTAGE	110/120v
ENVIRONMENTAL RATING	Dry Location (IP20)
CLASS PROTECTION	Class I
SHADE	GL192   MLCS061
FLEX   BAR   CHAIN LENGTH	n/a
CABLE TYPE	

FIXING BRACKET: MLWB11



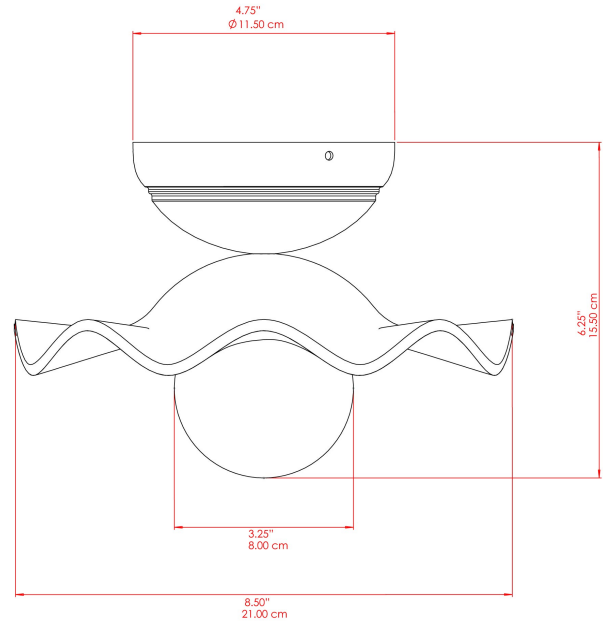
Product Notes:  
1) Bulbs not included. 2) Dimensions do not include bulbs. 3) All products are individually made-to-order and therefore may differ slightly within manufacturing tolerances. 4) Cable / chain can be shortened during installation. Longer cable / chain lengths available on request. 5) Additional color finishes may be available on request. 6) Twisted cable is not available for UL wired products. Round cable in black or brown only is supplied instead. 7) Refer to our website for a full list of terms and conditions.





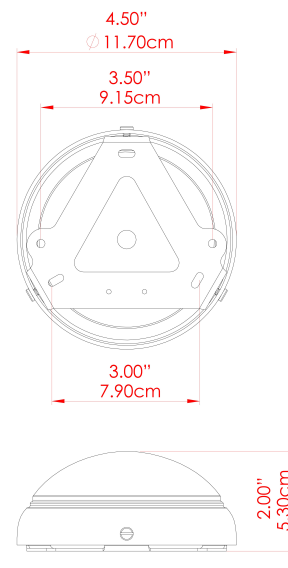
## RIVALE Ceramic Ceiling Fitting

MLCMCF021SATBRSL Satin Brass



MATERIAL	Brass   Ceramic   Glass
HEIGHT	6"
WIDTH   DIAMETER	8.25"
LENGTH   PROJECTION	n/a
WEIGHT	0.7 kg   1.5 lbs
LAMPHOLDER	G9
MAX WATTAGE	5W
VOLTAGE	110/120v
ENVIRONMENTAL RATING	Dry Location (IP20)
CLASS PROTECTION	Class I
SHADE	GL196   MLCS061
FLEX   BAR   CHAIN LENGTH	n/a
CABLE TYPE	

FIXING BRACKET: MLWB11



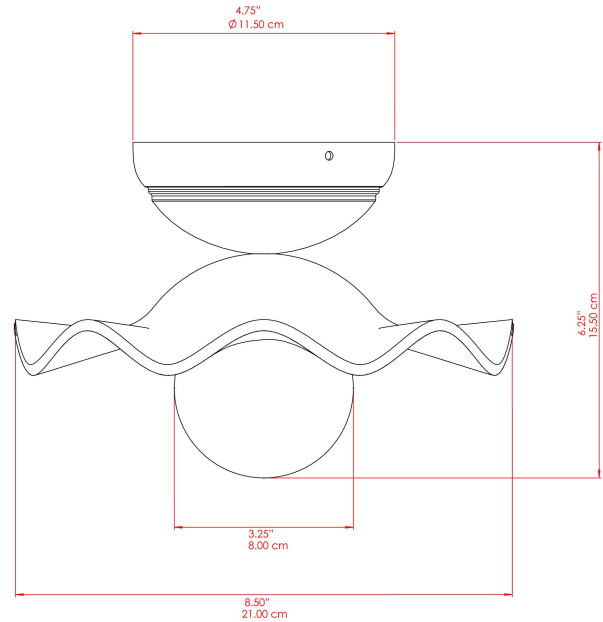
Product Notes:  
1) Bulbs not included. 2) Dimensions do not include bulbs. 3) All products are individually made-to-order and therefore may differ slightly within manufacturing tolerances. 4) Cable / chain can be shortened during installation. Longer cable / chain lengths available on request. 5) Additional color finishes may be available on request. 6) Twisted cable is not available for UL wired products. Round cable in black or brown only is supplied instead. 7) Refer to our website for a full list of terms and conditions.





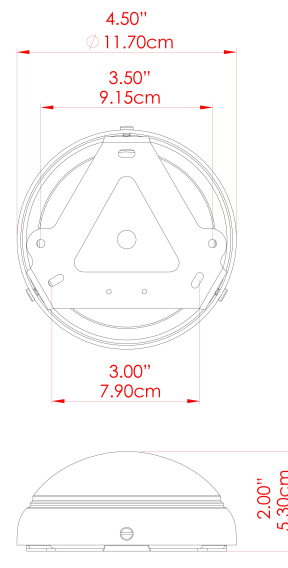
## RIVALE Ceramic Ceiling Fitting

MLCMCF021SATBRSFR Satin Brass



MATERIAL	Brass   Ceramic   Glass
HEIGHT	6"
WIDTH   DIAMETER	8.25"
LENGTH   PROJECTION	n/a
WEIGHT	0.7 kg   1.5 lbs
LAMPHOLDER	G9
MAX WATTAGE	5W
VOLTAGE	110/120v
ENVIRONMENTAL RATING	Dry Location (IP20)
CLASS PROTECTION	Class I
SHADE	GL208   MLCS061
FLEX   BAR   CHAIN LENGTH	n/a
CABLE TYPE	

FIXING BRACKET: MLWB11



WWW.MULLANLIGHTING.COM

**Product Notes:**

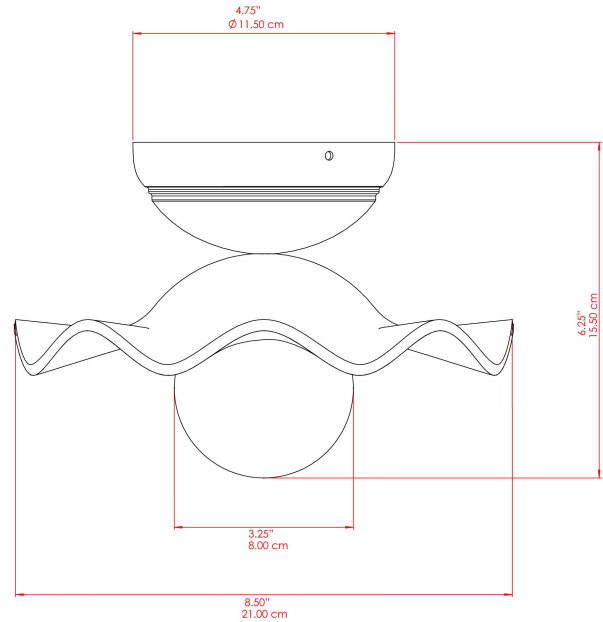
1) Bulbs not included. 2) Dimensions do not include bulbs. 3) All products are individually made-to-order and therefore may differ slightly within manufacturing tolerances. 4) Cable / chain can be shortened during installation. Longer cable / chain lengths available on request. 5) Additional color finishes may be available on request. 6) Twisted cable is not available for UL wired products. Round cable in black or brown only is supplied instead. 7) Refer to our website for a full list of terms and conditions.





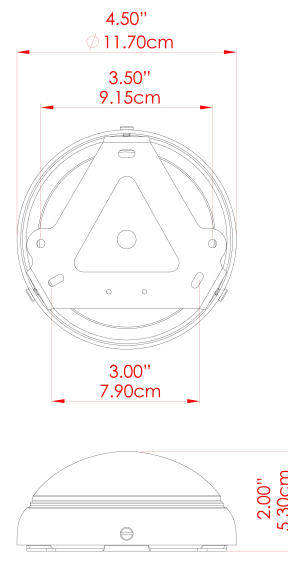
## RIVALE Ceramic Ceiling Fitting

MLCMCF021SATBRS Satin Brass



MATERIAL	Brass   Ceramic   Glass
HEIGHT	6"
WIDTH   DIAMETER	8.25"
LENGTH   PROJECTION	n/a
WEIGHT	0.7 kg   1.5 lbs
LAMPHOLDER	G9
MAX WATTAGE	5W
VOLTAGE	110/120v
ENVIRONMENTAL RATING	Dry Location (IP20)
CLASS PROTECTION	Class I
SHADE	GL192   MLCS061
FLEX   BAR   CHAIN LENGTH	n/a
CABLE TYPE	

FIXING BRACKET: MLWB11



Product Notes:  
1) Bulbs not included. 2) Dimensions do not include bulbs. 3) All products are individually made-to-order and therefore may differ slightly within manufacturing tolerances. 4) Cable / chain can be shortened during installation. Longer cable / chain lengths available on request. 5) Additional color finishes may be available on request. 6) Twisted cable is not available for UL wired products. Round cable in black or brown only is supplied instead. 7) Refer to our website for a full list of terms and conditions.

