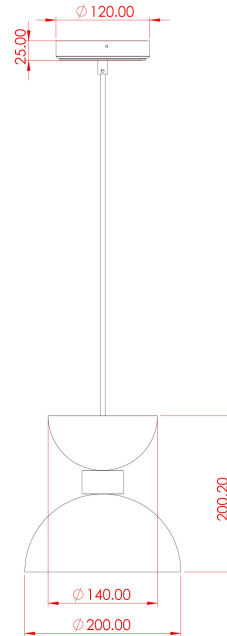


# NAKAII Ceramic Pendant

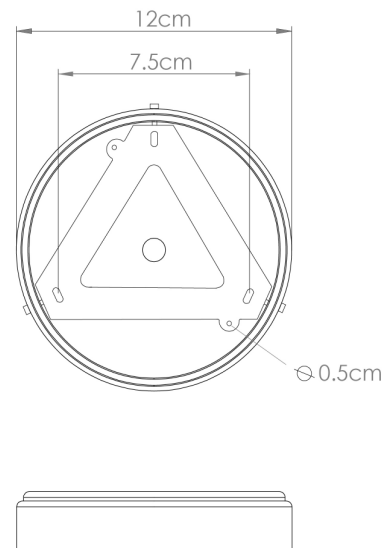
MLCMP068ANTBRSC L Antiqu e Brass



MATERIAL	Brass   Ceramic
HEIGHT	20cm   7.87"
WIDTH   DIAMETER	20cm   7.87"
LENGTH   PROJECTION	n/a
WEIGHT	2KG   4.41lbs
LAMP HOLDER	G9
MAX WATTAGE	6.5W x 1
VOLTAGE	220/240v or 110/120v*
IP RATING	20
CLASS PROTECTION	I
SHADE CODE	GL196
CABLE   CHAIN   BAR LENG T	100cm   40"
CABLE TYPE	MLCA047   2 Core Round   Brown Braid   PVC

### Fixing Bracket MLWB17

\* Fixing bracket may differ for UL wired products.

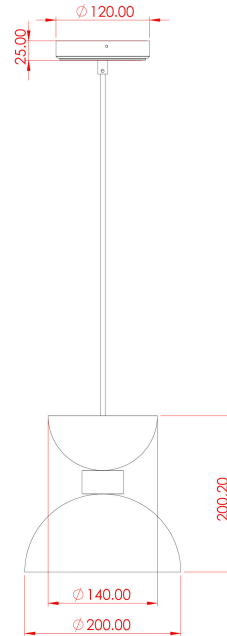


#### Product Notes:

1) Bulbs not included. 2) Dimensions do not include bulbs. 3) All products are individually made-to-order and therefore may differ slightly within manufacturing tolerances. 4) Cable / chain can be shortened during installation. Longer cable / chain lengths available on request. 5) Additional colour finishes may be available on request. 6) UL wired products operate at 110/120v with the appropriate lamp holder. 7) Twisted cable is not available for UL wired products. Round cable in black or brown only is supplied instead. 8) Refer to our website for a full list of terms and conditions.

# NAKAII Ceramic Pendant

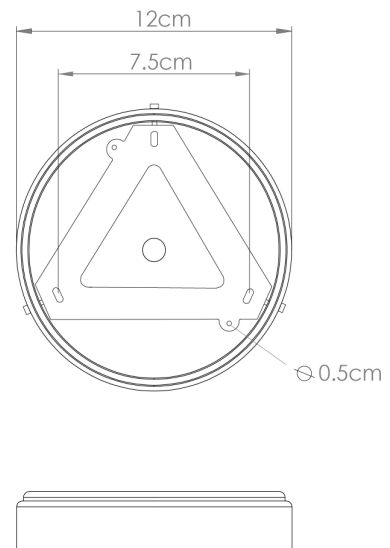
MLCMP068ANTBRSFR Antique Brass



MATERIAL	Brass   Ceramic
HEIGHT	20cm   7.87"
WIDTH   DIAMETER	20cm   7.87"
LENGTH   PROJECTION	n/a
WEIGHT	2KG   4.41lbs
LAMP HOLDER	G9
MAX WATTAGE	6.5W x 1
VOLTAGE	220/240v or 110/120v*
IP RATING	20
CLASS PROTECTION	I
SHADE CODE	GL208
CABLE   CHAIN   BAR LENGT	100cm   40"
CABLE TYPE	MLCA047   2 Core Round   Brown Braid   PVC

### Fixing Bracket MLWB17

\* Fixing bracket may differ for UL wired products.

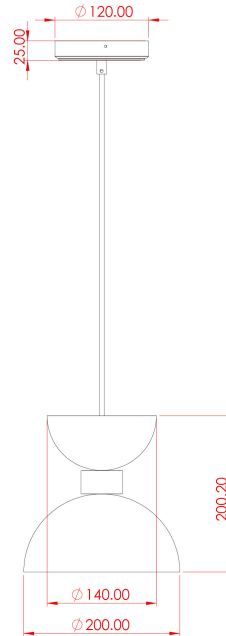


#### Product Notes:

1) Bulbs not included. 2) Dimensions do not include bulbs. 3) All products are individually made-to-order and therefore may differ slightly within manufacturing tolerances. 4) Cable / chain can be shortened during installation. Longer cable / chain lengths available on request. 5) Additional colour finishes may be available on request. 6) UL wired products operate at 110/120v with the appropriate lamp holder. 7) Twisted cable is not available for UL wired products. Round cable in black or brown only is supplied instead. 8) Refer to our website for a full list of terms and conditions.

# NAKAII Ceramic Pendant

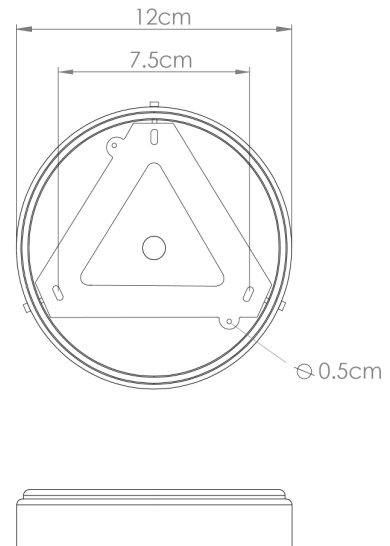
MLCMP068ANTBRSOP Antique Brass



MATERIAL	Brass   Ceramic
HEIGHT	20cm   7.87"
WIDTH   DIAMETER	20cm   7.87"
LENGTH   PROJECTION	n/a
WEIGHT	2KG   4.41lbs
LAMP HOLDER	G9
MAX WATTAGE	6.5W x 1
VOLTAGE	220/240v or 110/120v*
IP RATING	20
CLASS PROTECTION	I
SHADE CODE	GL192
CABLE   CHAIN   BAR LENGT	100cm   40"
CABLE TYPE	MLCA047   2 Core Round   Brown Braid   PVC

### Fixing Bracket MLWB17

\* Fixing bracket may differ for UL wired products.

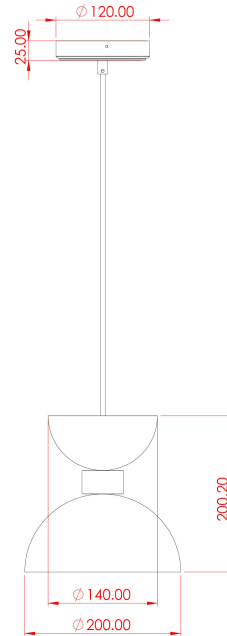


#### Product Notes:

1) Bulbs not included. 2) Dimensions do not include bulbs. 3) All products are individually made-to-order and therefore may differ slightly within manufacturing tolerances. 4) Cable / chain can be shortened during installation. Longer cable / chain lengths available on request. 5) Additional colour finishes may be available on request. 6) UL wired products operate at 110/120v with the appropriate lamp holder. 7) Twisted cable is not available for UL wired products. Round cable in black or brown only is supplied instead. 8) Refer to our website for a full list of terms and conditions.

# NAKAI Ceramic Pendant

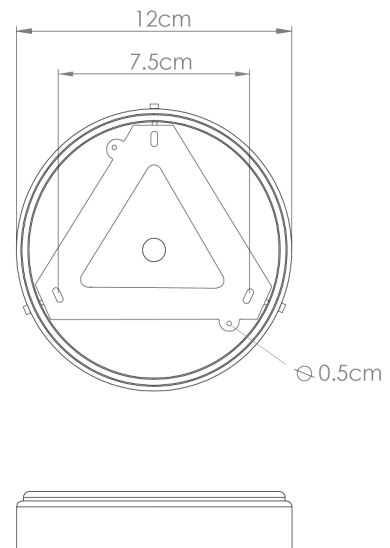
MLCMP068ANTSLVCL Antique Silver



MATERIAL	Brass   Ceramic
HEIGHT	20cm   7.87"
WIDTH   DIAMETER	20cm   7.87"
LENGTH   PROJECTION	n/a
WEIGHT	2KG   4.41lbs
LAMP HOLDER	G9
MAX WATTAGE	6.5W x 1
VOLTAGE	220/240v or 110/120v*
IP RATING	20
CLASS PROTECTION	I
SHADE CODE	GL196
CABLE   CHAIN   BAR LENGT	100cm   40"
CABLE TYPE	MLCA028   2 Core Round   Black Braid   PVC

### Fixing Bracket MLWB17

\* Fixing bracket may differ for UL wired products.

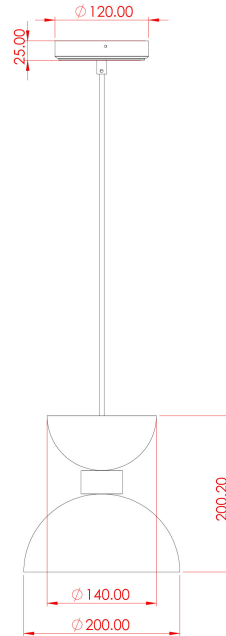


#### Product Notes:

1) Bulbs not included. 2) Dimensions do not include bulbs. 3) All products are individually made-to-order and therefore may differ slightly within manufacturing tolerances. 4) Cable / chain can be shortened during installation. Longer cable / chain lengths available on request. 5) Additional colour finishes may be available on request. 6) UL wired products operate at 110/120v with the appropriate lamp holder. 7) Twisted cable is not available for UL wired products. Round cable in black or brown only is supplied instead. 8) Refer to our website for a full list of terms and conditions.

# NAKAI Ceramic Pendant

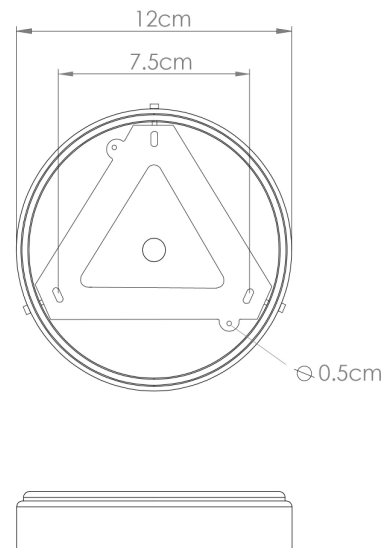
MLCMP068ANTSLVFR Antique Silver



MATERIAL	Brass   Ceramic
HEIGHT	20cm   7.87"
WIDTH   DIAMETER	20cm   7.87"
LENGTH   PROJECTION	n/a
WEIGHT	2KG   4.41lbs
LAMP HOLDER	G9
MAX WATTAGE	6.5W x 1
VOLTAGE	220/240v or 110/120v*
IP RATING	20
CLASS PROTECTION	I
SHADE CODE	GL208
CABLE   CHAIN   BAR LENGT	100cm   40"
CABLE TYPE	MLCA028   2 Core Round   Black Braid   PVC

### Fixing Bracket MLWB17

\* Fixing bracket may differ for UL wired products.

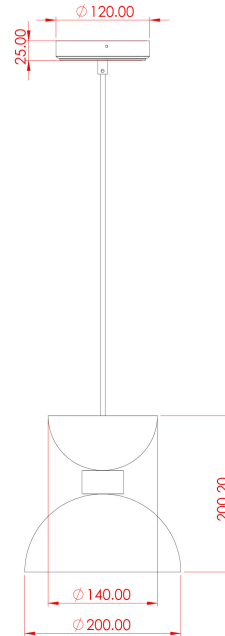


#### Product Notes:

1) Bulbs not included. 2) Dimensions do not include bulbs. 3) All products are individually made-to-order and therefore may differ slightly within manufacturing tolerances. 4) Cable / chain can be shortened during installation. Longer cable / chain lengths available on request. 5) Additional colour finishes may be available on request. 6) UL wired products operate at 110/120v with the appropriate lamp holder. 7) Twisted cable is not available for UL wired products. Round cable in black or brown only is supplied instead. 8) Refer to our website for a full list of terms and conditions.

# NAKAI Ceramic Pendant

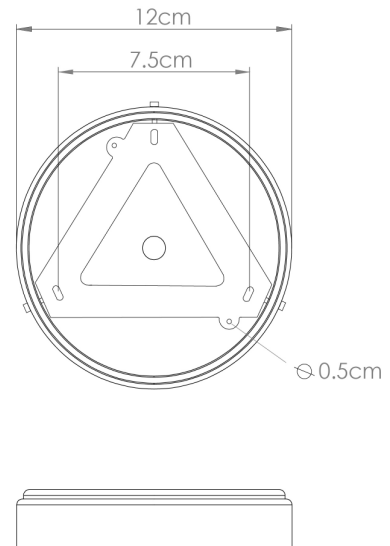
MLCMP068ANTSLVOP Antique Silver



MATERIAL	Brass   Ceramic
HEIGHT	20cm   7.87"
WIDTH   DIAMETER	20cm   7.87"
LENGTH   PROJECTION	n/a
WEIGHT	2KG   4.41lbs
LAMP HOLDER	G9
MAX WATTAGE	6.5W x 1
VOLTAGE	220/240v or 110/120v*
IP RATING	20
CLASS PROTECTION	I
SHADE CODE	GL192
CABLE   CHAIN   BAR LENGT	100cm   40"
CABLE TYPE	MLCA028   2 Core Round   Black Braid   PVC

### Fixing Bracket MLWB17

\* Fixing bracket may differ for UL wired products.

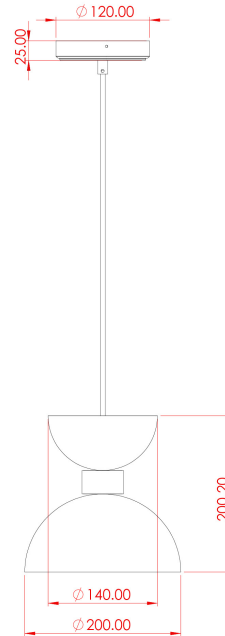


#### Product Notes:

1) Bulbs not included. 2) Dimensions do not include bulbs. 3) All products are individually made-to-order and therefore may differ slightly within manufacturing tolerances. 4) Cable / chain can be shortened during installation. Longer cable / chain lengths available on request. 5) Additional colour finishes may be available on request. 6) UL wired products operate at 110/120v with the appropriate lamp holder. 7) Twisted cable is not available for UL wired products. Round cable in black or brown only is supplied instead. 8) Refer to our website for a full list of terms and conditions.

# NAKAII Ceramic Pendant

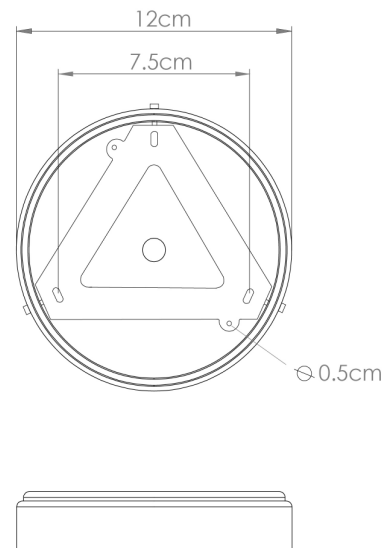
MLCMP068PCMBKCL Matt Black



MATERIAL	Brass   Ceramic
HEIGHT	20cm   7.87"
WIDTH   DIAMETER	20cm   7.87"
LENGTH   PROJECTION	n/a
WEIGHT	2KG   4.41lbs
LAMP HOLDER	G9
MAX WATTAGE	6.5W x 1
VOLTAGE	220/240v or 110/120v*
IP RATING	20
CLASS PROTECTION	I
SHADE CODE	GL196
CABLE   CHAIN   BAR LENGT	100cm   40"
CABLE TYPE	MLCA028   2 Core Round   Black Braid   PVC

### Fixing Bracket MLWB17

\* Fixing bracket may differ for UL wired products.

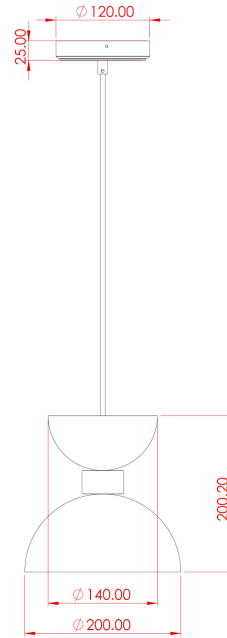


#### Product Notes:

1) Bulbs not included. 2) Dimensions do not include bulbs. 3) All products are individually made-to-order and therefore may differ slightly within manufacturing tolerances. 4) Cable / chain can be shortened during installation. Longer cable / chain lengths available on request. 5) Additional colour finishes may be available on request. 6) UL wired products operate at 110/120v with the appropriate lamp holder. 7) Twisted cable is not available for UL wired products. Round cable in black or brown only is supplied instead. 8) Refer to our website for a full list of terms and conditions.

# NAKAII Ceramic Pendant

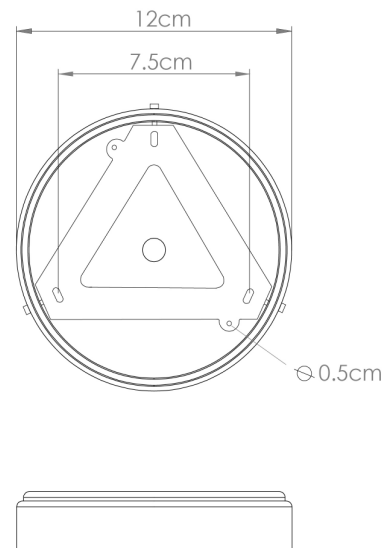
MLCMP068PCMBKFR Matt Black



MATERIAL	Brass   Ceramic
HEIGHT	20cm   7.87"
WIDTH   DIAMETER	20cm   7.87"
LENGTH   PROJECTION	n/a
WEIGHT	2KG   4.41lbs
LAMP HOLDER	G9
MAX WATTAGE	6.5W x 1
VOLTAGE	220/240v or 110/120v*
IP RATING	20
CLASS PROTECTION	I
SHADE CODE	GL208
CABLE   CHAIN   BAR LENGT	100cm   40"
CABLE TYPE	MLCA028   2 Core Round   Black Braid   PVC

### Fixing Bracket MLWB17

\* Fixing bracket may differ for UL wired products.



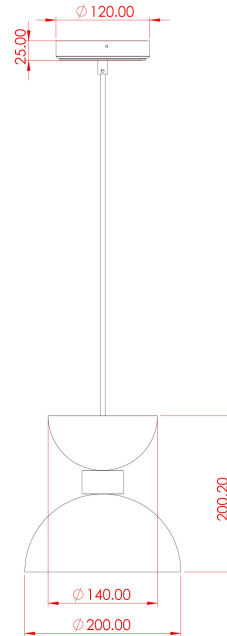
#### Product Notes:

1) Bulbs not included. 2) Dimensions do not include bulbs. 3) All products are individually made-to-order and therefore may differ slightly within manufacturing tolerances. 4) Cable / chain can be shortened during installation. Longer cable / chain lengths available on request. 5) Additional colour finishes may be available on request. 6) UL wired products operate at 110/120v with the appropriate lamp holder. 7) Twisted cable is not available for UL wired products. Round cable in black or brown only is supplied instead. 8) Refer to our website for a full list of terms and conditions.



# NAKAII Ceramic Pendant

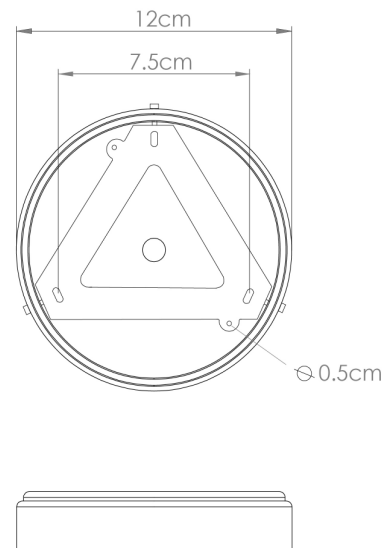
MLCMP068PCMBKOP Matt Black



MATERIAL	Brass   Ceramic
HEIGHT	20cm   7.87"
WIDTH   DIAMETER	20cm   7.87"
LENGTH   PROJECTION	n/a
WEIGHT	2KG   4.41lbs
LAMP HOLDER	G9
MAX WATTAGE	6.5W x 1
VOLTAGE	220/240v or 110/120v*
IP RATING	20
CLASS PROTECTION	I
SHADE CODE	GL192
CABLE   CHAIN   BAR LENGT	100cm   40"
CABLE TYPE	MLCA028   2 Core Round   Black Braid   PVC

### Fixing Bracket MLWB17

\* Fixing bracket may differ for UL wired products.

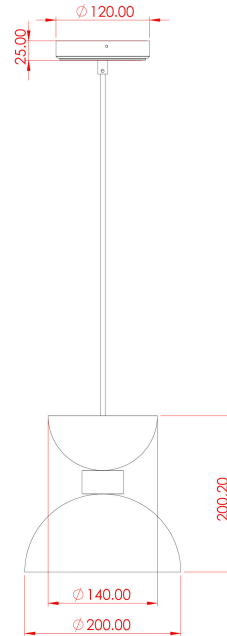


#### Product Notes:

1) Bulbs not included. 2) Dimensions do not include bulbs. 3) All products are individually made-to-order and therefore may differ slightly within manufacturing tolerances. 4) Cable / chain can be shortened during installation. Longer cable / chain lengths available on request. 5) Additional colour finishes may be available on request. 6) UL wired products operate at 110/120v with the appropriate lamp holder. 7) Twisted cable is not available for UL wired products. Round cable in black or brown only is supplied instead. 8) Refer to our website for a full list of terms and conditions.

# NAKAII Ceramic Pendant

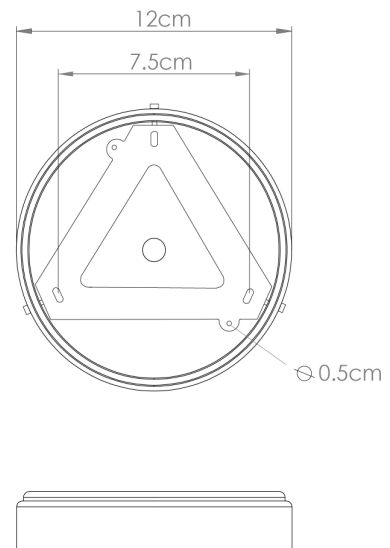
MLCMP068POLBRSCS Polished Brass



MATERIAL	Brass   Ceramic
HEIGHT	20cm   7.87"
WIDTH   DIAMETER	20cm   7.87"
LENGTH   PROJECTION	n/a
WEIGHT	2KG   4.41lbs
LAMP HOLDER	G9
MAX WATTAGE	6.5W x 1
VOLTAGE	220/240v or 110/120v*
IP RATING	20
CLASS PROTECTION	I
SHADE CODE	GL196
CABLE   CHAIN   BAR LENGT	100cm   40"
CABLE TYPE	MLCA028   2 Core Round   Black Braid   PVC

### Fixing Bracket MLWB17

\* Fixing bracket may differ for UL wired products.

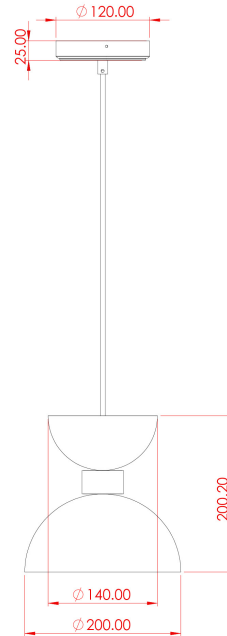


#### Product Notes:

1) Bulbs not included. 2) Dimensions do not include bulbs. 3) All products are individually made-to-order and therefore may differ slightly within manufacturing tolerances. 4) Cable / chain can be shortened during installation. Longer cable / chain lengths available on request. 5) Additional colour finishes may be available on request. 6) UL wired products operate at 110/120v with the appropriate lamp holder. 7) Twisted cable is not available for UL wired products. Round cable in black or brown only is supplied instead. 8) Refer to our website for a full list of terms and conditions.

# NAKAI Ceramic Pendant

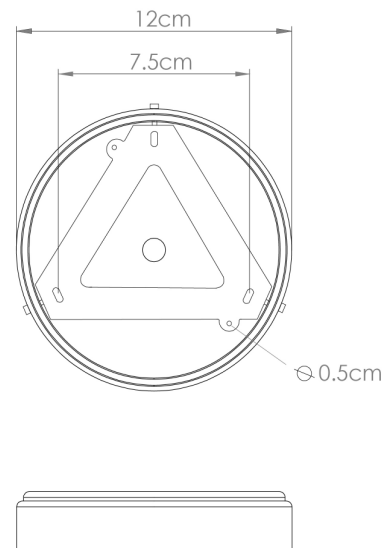
MLCMP068POLBRSFR Polished Brass



MATERIAL	Brass   Ceramic
HEIGHT	20cm   7.87"
WIDTH   DIAMETER	20cm   7.87"
LENGTH   PROJECTION	n/a
WEIGHT	2KG   4.41lbs
LAMP HOLDER	G9
MAX WATTAGE	6.5W x 1
VOLTAGE	220/240v or 110/120v*
IP RATING	20
CLASS PROTECTION	I
SHADE CODE	GL208
CABLE   CHAIN   BAR LENGT	100cm   40"
CABLE TYPE	MLCA028   2 Core Round   Black Braid   PVC

### Fixing Bracket MLWB17

\* Fixing bracket may differ for UL wired products.

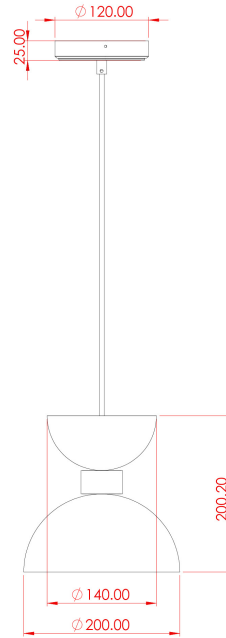


#### Product Notes:

1) Bulbs not included. 2) Dimensions do not include bulbs. 3) All products are individually made-to-order and therefore may differ slightly within manufacturing tolerances. 4) Cable / chain can be shortened during installation. Longer cable / chain lengths available on request. 5) Additional colour finishes may be available on request. 6) UL wired products operate at 110/120v with the appropriate lamp holder. 7) Twisted cable is not available for UL wired products. Round cable in black or brown only is supplied instead. 8) Refer to our website for a full list of terms and conditions.

# NAKAI Ceramic Pendant

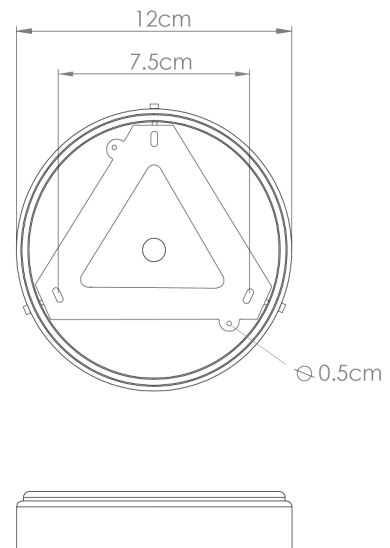
MLCMP068POLBRSOP Polished Brass



MATERIAL	Brass   Ceramic
HEIGHT	20cm   7.87"
WIDTH   DIAMETER	20cm   7.87"
LENGTH   PROJECTION	n/a
WEIGHT	2KG   4.41lbs
LAMP HOLDER	G9
MAX WATTAGE	6.5W x 1
VOLTAGE	220/240v or 110/120v*
IP RATING	20
CLASS PROTECTION	I
SHADE CODE	GL192
CABLE   CHAIN   BAR LENGT	100cm   40"
CABLE TYPE	MLCA028   2 Core Round   Black Braid   PVC

### Fixing Bracket MLWB17

\* Fixing bracket may differ for UL wired products.

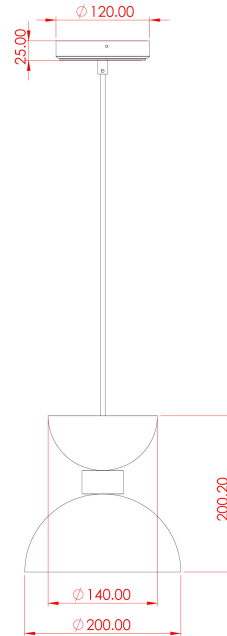


#### Product Notes:

1) Bulbs not included. 2) Dimensions do not include bulbs. 3) All products are individually made-to-order and therefore may differ slightly within manufacturing tolerances. 4) Cable / chain can be shortened during installation. Longer cable / chain lengths available on request. 5) Additional colour finishes may be available on request. 6) UL wired products operate at 110/120v with the appropriate lamp holder. 7) Twisted cable is not available for UL wired products. Round cable in black or brown only is supplied instead. 8) Refer to our website for a full list of terms and conditions.

# NAKAII Ceramic Pendant

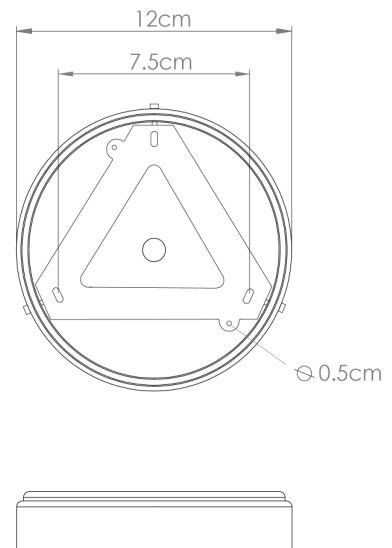
MLCMP068SATBRSC L Satin Brass



MATERIAL	Brass   Ceramic
HEIGHT	20cm   7.87"
WIDTH   DIAMETER	20cm   7.87"
LENGTH   PROJECTION	n/a
WEIGHT	2KG   4.41lbs
LAMP HOLDER	G9
MAX WATTAGE	6.5W x 1
VOLTAGE	220/240v or 110/120v*
IP RATING	20
CLASS PROTECTION	I
SHADE CODE	GL196
CABLE   CHAIN   BAR LENGT	100cm   40"
CABLE TYPE	MLCA028   2 Core Round   Black Braid   PVC

### Fixing Bracket MLWB17

\* Fixing bracket may differ for UL wired products.

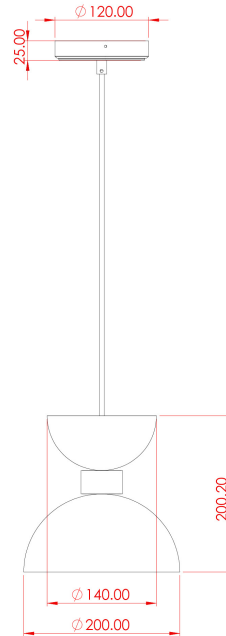


#### Product Notes:

1) Bulbs not included. 2) Dimensions do not include bulbs. 3) All products are individually made-to-order and therefore may differ slightly within manufacturing tolerances. 4) Cable / chain can be shortened during installation. Longer cable / chain lengths available on request. 5) Additional colour finishes may be available on request. 6) UL wired products operate at 110/120v with the appropriate lamp holder. 7) Twisted cable is not available for UL wired products. Round cable in black or brown only is supplied instead. 8) Refer to our website for a full list of terms and conditions.

# NAKAII Ceramic Pendant

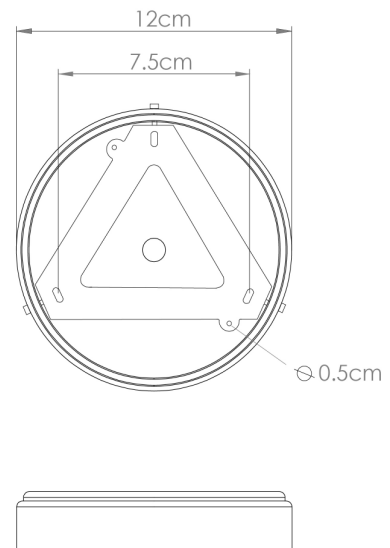
MLCMP068SATBRSFR Satin Brass



MATERIAL	Brass   Ceramic
HEIGHT	20cm   7.87"
WIDTH   DIAMETER	20cm   7.87"
LENGTH   PROJECTION	n/a
WEIGHT	2KG   4.41lbs
LAMP HOLDER	G9
MAX WATTAGE	6.5W x 1
VOLTAGE	220/240v or 110/120v*
IP RATING	20
CLASS PROTECTION	I
SHADE CODE	GL208
CABLE   CHAIN   BAR LENGT	100cm   40"
CABLE TYPE	MLCA028   2 Core Round   Black Braid   PVC

### Fixing Bracket MLWB17

\* Fixing bracket may differ for UL wired products.

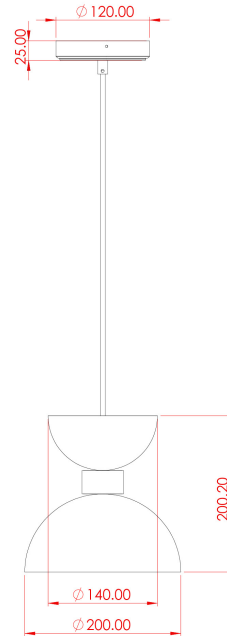


#### Product Notes:

1) Bulbs not included. 2) Dimensions do not include bulbs. 3) All products are individually made-to-order and therefore may differ slightly within manufacturing tolerances. 4) Cable / chain can be shortened during installation. Longer cable / chain lengths available on request. 5) Additional colour finishes may be available on request. 6) UL wired products operate at 110/120v with the appropriate lamp holder. 7) Twisted cable is not available for UL wired products. Round cable in black or brown only is supplied instead. 8) Refer to our website for a full list of terms and conditions.

# NAKAII Ceramic Pendant

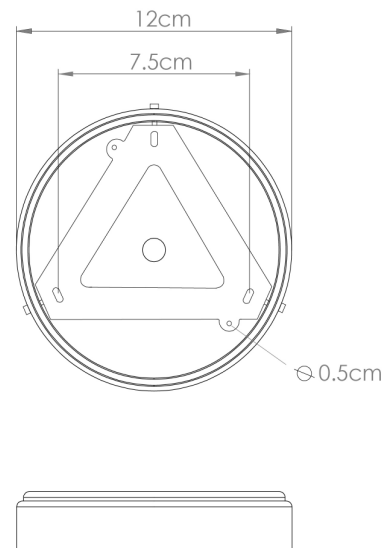
MLCMP068SATBRSOP Satin Brass



MATERIAL	Brass   Ceramic
HEIGHT	20cm   7.87"
WIDTH   DIAMETER	20cm   7.87"
LENGTH   PROJECTION	n/a
WEIGHT	2KG   4.41lbs
LAMP HOLDER	G9
MAX WATTAGE	6.5W x 1
VOLTAGE	220/240v or 110/120v*
IP RATING	20
CLASS PROTECTION	I
SHADE CODE	GL192
CABLE   CHAIN   BAR LENGT	100cm   40"
CABLE TYPE	MLCA028   2 Core Round   Black Braid   PVC

### Fixing Bracket MLWB17

\* Fixing bracket may differ for UL wired products.



#### Product Notes:

1) Bulbs not included. 2) Dimensions do not include bulbs. 3) All products are individually made-to-order and therefore may differ slightly within manufacturing tolerances. 4) Cable / chain can be shortened during installation. Longer cable / chain lengths available on request. 5) Additional colour finishes may be available on request. 6) UL wired products operate at 110/120v with the appropriate lamp holder. 7) Twisted cable is not available for UL wired products. Round cable in black or brown only is supplied instead. 8) Refer to our website for a full list of terms and conditions.