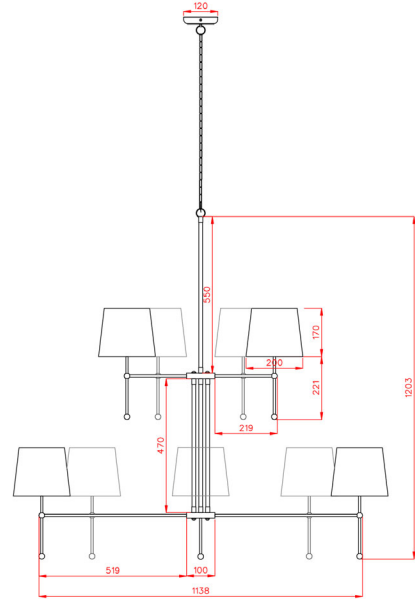


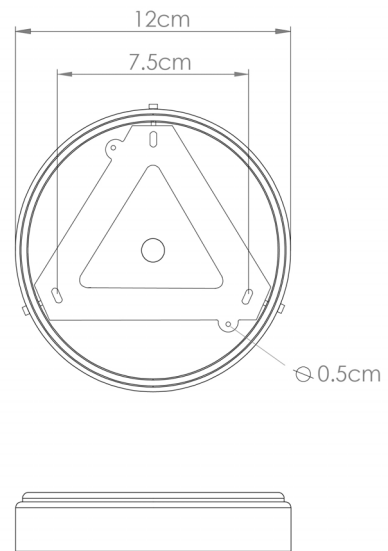
# CALIFORNIA Chandelier

MLF344ANTBRS Antique Brass



MATERIAL	Brass
HEIGHT	1003mm
WIDTH   DIAMETER	1138mm
LENGTH   PROJECTION	519mm
WEIGHT	4.9kg
LAMPHOLDER	E27
MAX WATTAGE	75W
VOLTAGE	230V
IP RATING	IP53
CLASS PROTECTION	L
SHADE	White
FLEX   BAR   CHAIN LENGT	Adjustable
CABLE TYPE	3-core

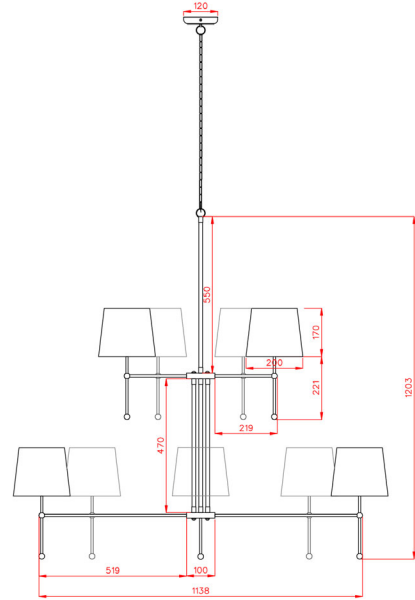
Fixing Bracket P OZ E4: #Dgwtxh#udvv



[www.mullanlighting.com](http://www.mullanlighting.com)

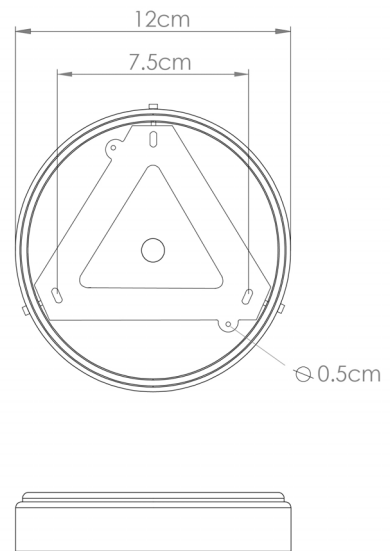
Surge protection is available for this chandelier. The surge protector is a device that protects electrical equipment from voltage spikes. It is recommended to install a surge protector in your home to protect your electronics from power surges. The surge protector is a small device that can be plugged into a wall outlet. It is designed to protect your electronics from power surges. The surge protector is a small device that can be plugged into a wall outlet. It is designed to protect your electronics from power surges.





MATERIAL	Aluminum
HEIGHT	453 cm **
WIDTH   DIAMETER	45 cm **
LENGTH   PROJECTION	100
WEIGHT	4.9 kg
LAMPHOLDER	E27
MAX WATTAGE	75 W
VOLTAGE	230-240 V
IP RATING	IP53
CLASS PROTECTION	L
SHADE	Not applicable
FLEX   BAR   CHAIN LENGTh	433 cm **
CABLE TYPE	3-core cable

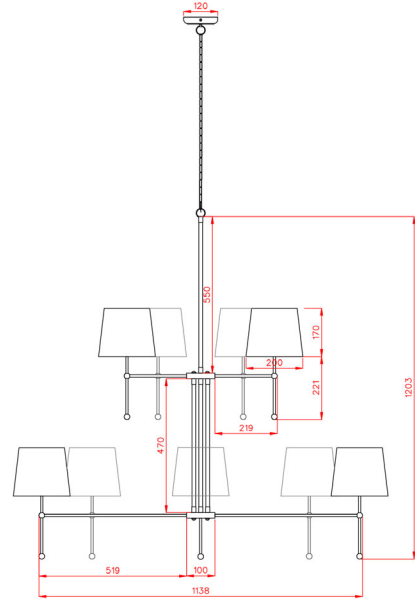
Fixing Bracket P OZ E4: #Dqwt: xh# / yzhu





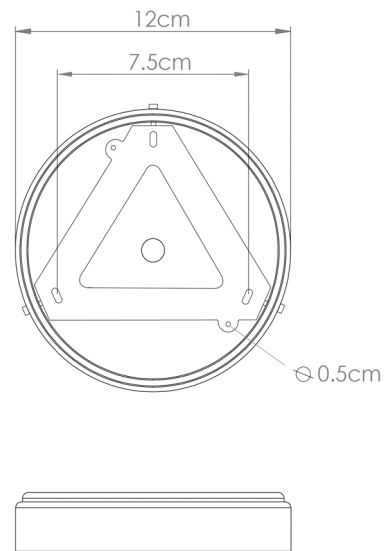
CALIFORNIA Chandelier

MLF344POLBRS Polished Brass



MATERIAL	Polished Brass
HEIGHT	1003mm
WIDTH   DIAMETER	455mm
LENGTH   PROJECTION	221mm
WEIGHT	4.9kg
LAMPHOLDER	E27
MAX WATTAGE	75W
VOLTAGE	230-240V
IP RATING	IP20
CLASS PROTECTION	II
SHADE	Polished Brass
FLEX   BAR   CHAIN LENGT	470mm
CABLE TYPE	Polished Brass Chain

Fixing Bracket P OZ E4: #Brdvkhg#uivv



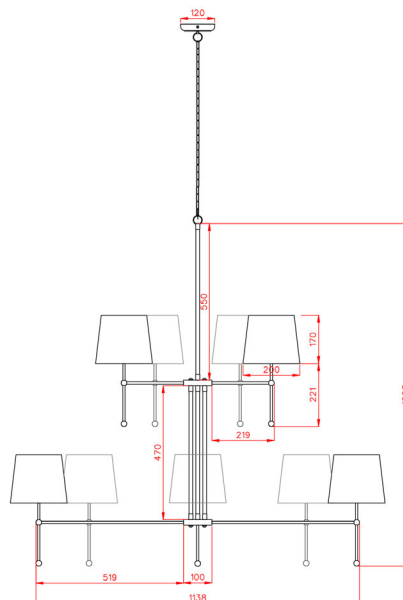
[www.mullanlighting.com](http://www.mullanlighting.com)

Surge protection is not included in the price of this chandelier. If you require surge protection, please contact our technical support team. The chandelier is designed to be used with E27 bulbs. The maximum wattage for each bulb is 75W. The chandelier is suitable for use in dry locations only. The chandelier is made of polished brass. The chandelier is finished with a polished brass finish. The chandelier is made in China. The chandelier is available in other finishes. The chandelier is available in other sizes. The chandelier is available in other quantities. The chandelier is available in other colors. The chandelier is available in other materials. The chandelier is available in other shapes. The chandelier is available in other sizes. The chandelier is available in other quantities. The chandelier is available in other colors. The chandelier is available in other materials. The chandelier is available in other shapes.



CALIFORNIA Chandelier

MLF344SATBRS Satin Brass



MATERIAL	Brushed metal
HEIGHT	453 cm 157"
WIDTH   DIAMETER	45 cm 18"
LENGTH   PROJECTION	221
WEIGHT	4.9 kg 10.8 lb
LAMPHOLDER	H5: E27
MAX WATTAGE	73 W
VOLTAGE	220-240 V
IP RATING	IP20
CLASS PROTECTION	II
SHADE	White
FLEX   BAR   CHAIN LENGT	433 cm 142"
CABLE TYPE	1.5 m stainless steel chain with 1.5 m

Fixing Bracket P OZ E4: 120x75mm

