

MATERIAL	Brass Ceramic
HEIGHT	13cm 5.12"
WIDTH DIAMETER	21cm 8.27"
LENGTH PROJECTION	n/a
WEIGHT	1.1KG 2.43lbs
LAMP HOLDER	G9
MAX WATTAGE	6.5W x 1
VOLTAGE	220/240v or 110/120v *
IP RATING	20
CLASS PROTECTION	II
SHADE CODE	GL196
CABLE CHAIN BAR LENG T	n/a
CABLE TYPE	MLCA002 2 Core Twist Brown Braid PVC

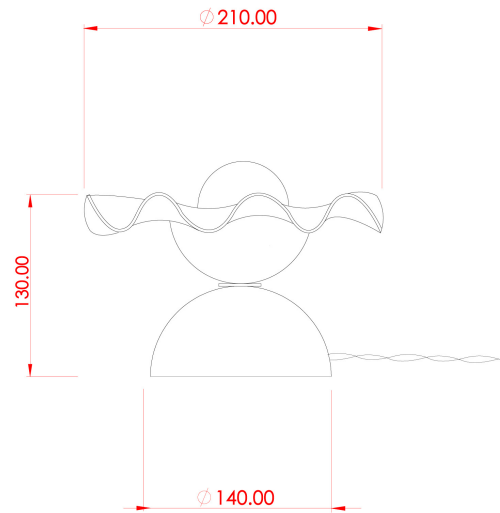
Fixing Bracket -
* Fixing bracket may differ for UL wired products.

Product Notes:

1) Bulbs not included. 2) Dimensions do not include bulbs. 3) All products are individually made-to-order and therefore may differ slightly within manufacturing tolerances. 4) Cable / chain can be shortened during installation. Longer cable / chain lengths available on request. 5) Additional colour finishes may be available on request. 6) UL wired products operate at 110/120v with the appropriate lamp holder. 7) Twisted cable is not available for UL wired products. Round cable in black or brown only is supplied instead. 8) Refer to our website for a full list of terms and conditions.

RIVALE Ceramic Table Lamp

MLCMTL036ANTBRSFR Antique Brass



MATERIAL	Brass Ceramic
HEIGHT	13cm 5.12"
WIDTH DIAMETER	21cm 8.27"
LENGTH PROJECTION	n/a
WEIGHT	1.1KG 2.43lbs
LAMP HOLDER	G9
MAX WATTAGE	6.5W x 1
VOLTAGE	220/240v or 110/120v *
IP RATING	20
CLASS PROTECTION	II
SHADE CODE	GL208
CABLE CHAIN BAR LENGT	n/a
CABLE TYPE	MLCA002 2 Core Twist Brown Braid PVC

Fixing Bracket -

* Fixing bracket may differ for UL wired products.

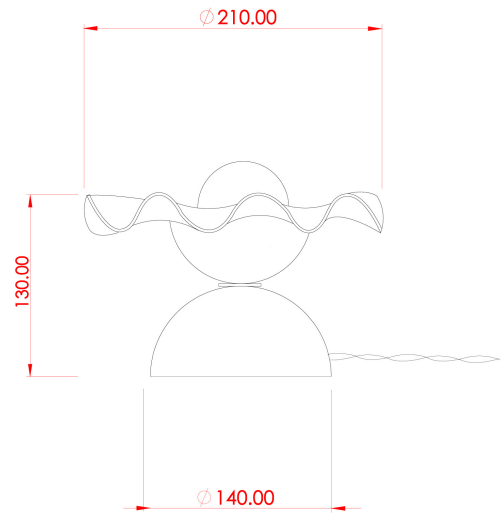
Product Notes:

1) Bulbs not included. 2) Dimensions do not include bulbs. 3) All products are individually made-to-order and therefore may differ slightly within manufacturing tolerances. 4) Cable / chain can be shortened during installation. Longer cable / chain lengths available on request. 5) Additional colour finishes may be available on request. 6) UL wired products operate at 110/120v with the appropriate lamp holder. 7) Twisted cable is not available for UL wired products. Round cable in black or brown only is supplied instead. 8) Refer to our website for a full list of terms and conditions.

RIVALE Ceramic Table Lamp

MLCMTL036ANTBRSOP

Antique Brass



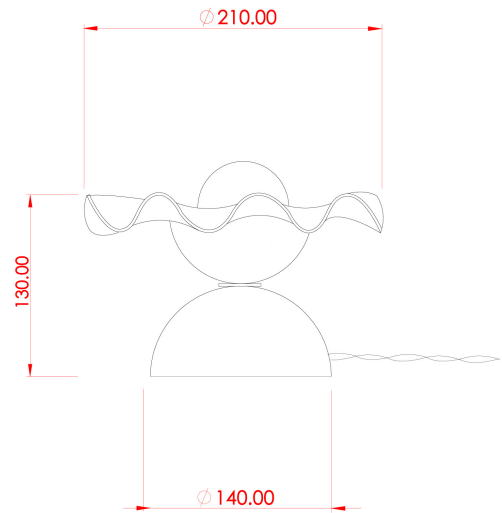
MATERIAL	Brass Ceramic
HEIGHT	13cm 5.12"
WIDTH DIAMETER	21cm 8.27"
LENGTH PROJECTION	n/a
WEIGHT	1.1KG 2.43lbs
LAMP HOLDER	G9
MAX WATTAGE	6.5W x 1
VOLTAGE	220/240v or 110/120v *
IP RATING	20
CLASS PROTECTION	II
SHADE CODE	GL192
CABLE CHAIN BAR LENGT	n/a
CABLE TYPE	MLCA002 2 Core Twist Brown Braid PVC

Fixing Bracket -

* Fixing bracket may differ for UL wired products.

Product Notes:

1) Bulbs not included. 2) Dimensions do not include bulbs. 3) All products are individually made-to-order and therefore may differ slightly within manufacturing tolerances. 4) Cable / chain can be shortened during installation. Longer cable / chain lengths available on request. 5) Additional colour finishes may be available on request. 6) UL wired products operate at 110/120v with the appropriate lamp holder. 7) Twisted cable is not available for UL wired products. Round cable in black or brown only is supplied instead. 8) Refer to our website for a full list of terms and conditions.



MATERIAL	Brass Ceramic
HEIGHT	13cm 5.12"
WIDTH DIAMETER	21cm 8.27"
LENGTH PROJECTION	n/a
WEIGHT	1.1KG 2.43lbs
LAMP HOLDER	G9
MAX WATTAGE	6.5W x 1
VOLTAGE	220/240v or 110/120v *
IP RATING	20
CLASS PROTECTION	II
SHADE CODE	GL208
CABLE CHAIN BAR LENGT	n/a
CABLE TYPE	MLCA001 2 Core Twist Black Braid PVC

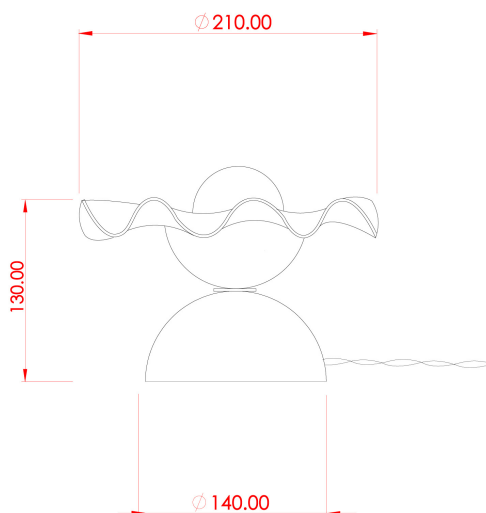
Fixing Bracket -
* Fixing bracket may differ for UL wired products.

Product Notes:

1) Bulbs not included. 2) Dimensions do not include bulbs. 3) All products are individually made-to-order and therefore may differ slightly within manufacturing tolerances. 4) Cable / chain can be shortened during installation. Longer cable / chain lengths available on request. 5) Additional colour finishes may be available on request. 6) UL wired products operate at 110/120v with the appropriate lamp holder. 7) Twisted cable is not available for UL wired products. Round cable in black or brown only is supplied instead. 8) Refer to our website for a full list of terms and conditions.

RIVALE Ceramic Table Lamp

MLCMTL036ANTSLVCL Antique Silver



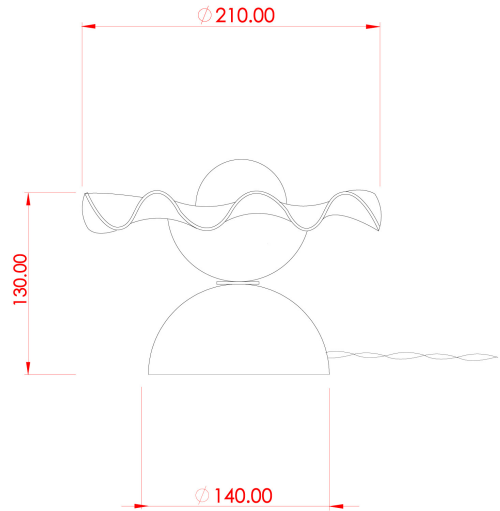
MATERIAL	Brass Ceramic
HEIGHT	13cm 5.12"
WIDTH DIAMETER	21cm 8.27"
LENGTH PROJECTION	n/a
WEIGHT	1.1KG 2.43lbs
LAMP HOLDER	G9
MAX WATTAGE	6.5W x 1
VOLTAGE	220/240v or 110/120v *
IP RATING	20
CLASS PROTECTION	II
SHADE CODE	GL196
CABLE CHAIN BAR LENGT	n/a
CABLE TYPE	MLCA001 2 Core Twist Black Braid PVC

Fixing Bracket -

* Fixing bracket may differ for UL wired products.

Product Notes:

1) Bulbs not included. 2) Dimensions do not include bulbs. 3) All products are individually made-to-order and therefore may differ slightly within manufacturing tolerances. 4) Cable / chain can be shortened during installation. Longer cable / chain lengths available on request. 5) Additional colour finishes may be available on request. 6) UL wired products operate at 110/120v with the appropriate lamp holder. 7) Twisted cable is not available for UL wired products. Round cable in black or brown only is supplied instead. 8) Refer to our website for a full list of terms and conditions.



MATERIAL	Brass Ceramic
HEIGHT	13cm 5.12"
WIDTH DIAMETER	21cm 8.27"
LENGTH PROJECTION	n/a
WEIGHT	1.1KG 2.43lbs
LAMP HOLDER	G9
MAX WATTAGE	6.5W x 1
VOLTAGE	220/240v or 110/120v *
IP RATING	20
CLASS PROTECTION	II
SHADE CODE	GL192
CABLE CHAIN BAR LENGT	n/a
CABLE TYPE	MLCA001 2 Core Twist Black Braid PVC

Fixing Bracket -

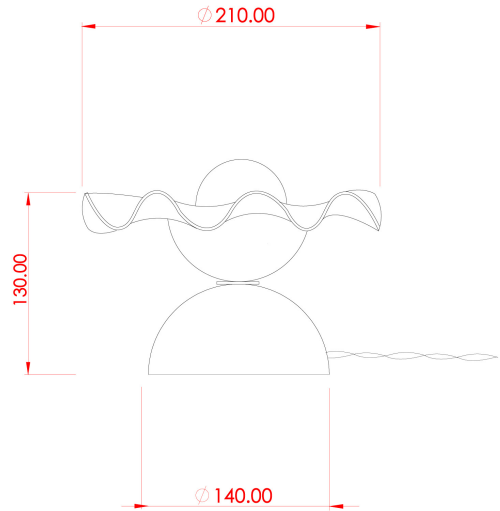
* Fixing bracket may differ for UL wired products.

Product Notes:

1) Bulbs not included. 2) Dimensions do not include bulbs. 3) All products are individually made-to-order and therefore may differ slightly within manufacturing tolerances. 4) Cable / chain can be shortened during installation. Longer cable / chain lengths available on request. 5) Additional colour finishes may be available on request. 6) UL wired products operate at 110/120v with the appropriate lamp holder. 7) Twisted cable is not available for UL wired products. Round cable in black or brown only is supplied instead. 8) Refer to our website for a full list of terms and conditions.

RIVALE Ceramic Table Lamp

MLCMTL036PCMBKCL Matt Black



MATERIAL	Brass Ceramic
HEIGHT	13cm 5.12"
WIDTH DIAMETER	21cm 8.27"
LENGTH PROJECTION	n/a
WEIGHT	1.1KG 2.43lbs
LAMP HOLDER	G9
MAX WATTAGE	6.5W x 1
VOLTAGE	220/240v or 110/120v *
IP RATING	20
CLASS PROTECTION	II
SHADE CODE	GL196
CABLE CHAIN BAR LENGT	n/a
CABLE TYPE	MLCA001 2 Core Twist Black Braid PVC

Fixing Bracket -

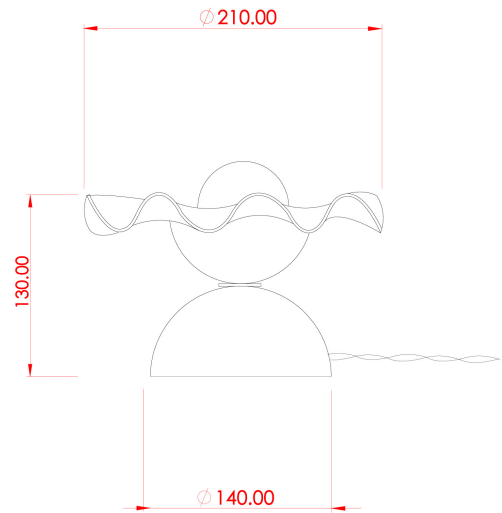
* Fixing bracket may differ for UL wired products.

Product Notes:

1) Bulbs not included. 2) Dimensions do not include bulbs. 3) All products are individually made-to-order and therefore may differ slightly within manufacturing tolerances. 4) Cable / chain can be shortened during installation. Longer cable / chain lengths available on request. 5) Additional colour finishes may be available on request. 6) UL wired products operate at 110/120v with the appropriate lamp holder. 7) Twisted cable is not available for UL wired products. Round cable in black or brown only is supplied instead. 8) Refer to our website for a full list of terms and conditions.

RIVALE Ceramic Table Lamp

MLCMTL036PCMBKFR Matt Black



MATERIAL	Brass Ceramic
HEIGHT	13cm 5.12"
WIDTH DIAMETER	21cm 8.27"
LENGTH PROJECTION	n/a
WEIGHT	1.1KG 2.43lbs
LAMP HOLDER	G9
MAX WATTAGE	6.5W x 1
VOLTAGE	220/240v or 110/120v *
IP RATING	20
CLASS PROTECTION	II
SHADE CODE	GL208
CABLE CHAIN BAR LENGT	n/a
CABLE TYPE	MLCA001 2 Core Twist Black Braid PVC

Fixing Bracket -

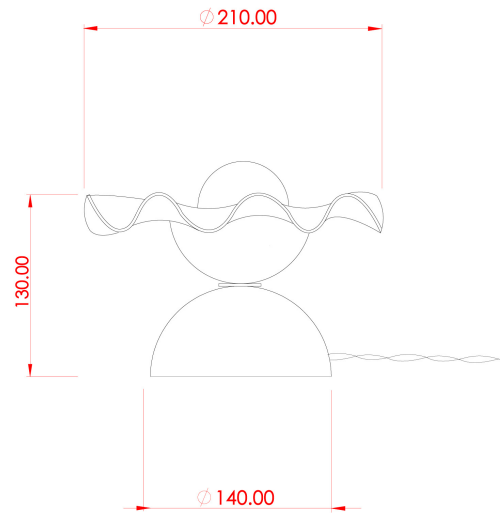
* Fixing bracket may differ for UL wired products.

Product Notes:

1) Bulbs not included. 2) Dimensions do not include bulbs. 3) All products are individually made-to-order and therefore may differ slightly within manufacturing tolerances. 4) Cable / chain can be shortened during installation. Longer cable / chain lengths available on request. 5) Additional colour finishes may be available on request. 6) UL wired products operate at 110/120v with the appropriate lamp holder. 7) Twisted cable is not available for UL wired products. Round cable in black or brown only is supplied instead. 8) Refer to our website for a full list of terms and conditions.

RIVALE Ceramic Table Lamp

MLCMTL036PCMBKOP Matt Black



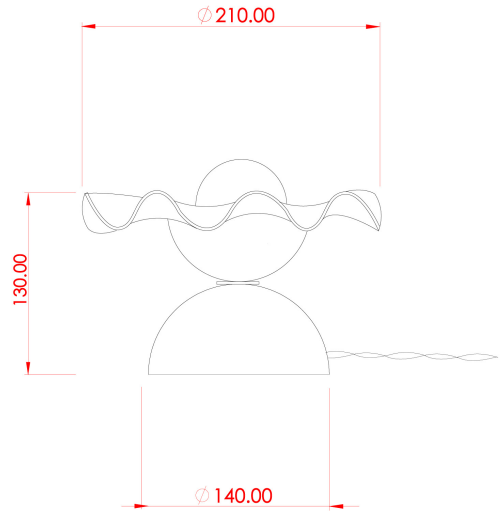
MATERIAL	Brass Ceramic
HEIGHT	13cm 5.12"
WIDTH DIAMETER	21cm 8.27"
LENGTH PROJECTION	n/a
WEIGHT	1.1KG 2.43lbs
LAMP HOLDER	G9
MAX WATTAGE	6.5W x 1
VOLTAGE	220/240v or 110/120v *
IP RATING	20
CLASS PROTECTION	II
SHADE CODE	GL192
CABLE CHAIN BAR LENGT	n/a
CABLE TYPE	MLCA001 2 Core Twist Black Braid PVC

Fixing Bracket -

* Fixing bracket may differ for UL wired products.

Product Notes:

1) Bulbs not included. 2) Dimensions do not include bulbs. 3) All products are individually made-to-order and therefore may differ slightly within manufacturing tolerances. 4) Cable / chain can be shortened during installation. Longer cable / chain lengths available on request. 5) Additional colour finishes may be available on request. 6) UL wired products operate at 110/120v with the appropriate lamp holder. 7) Twisted cable is not available for UL wired products. Round cable in black or brown only is supplied instead. 8) Refer to our website for a full list of terms and conditions.



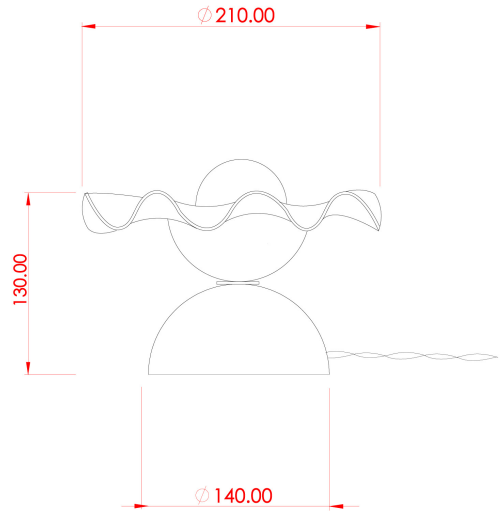
MATERIAL	Brass Ceramic
HEIGHT	13cm 5.12"
WIDTH DIAMETER	21cm 8.27"
LENGTH PROJECTION	n/a
WEIGHT	1.1KG 2.43lbs
LAMP HOLDER	G9
MAX WATTAGE	6.5W x 1
VOLTAGE	220/240v or 110/120v *
IP RATING	20
CLASS PROTECTION	II
SHADE CODE	GL196
CABLE CHAIN BAR LENGT	n/a
CABLE TYPE	MLCA001 2 Core Twist Black Braid PVC

Fixing Bracket -

* Fixing bracket may differ for UL wired products.

Product Notes:

1) Bulbs not included. 2) Dimensions do not include bulbs. 3) All products are individually made-to-order and therefore may differ slightly within manufacturing tolerances. 4) Cable / chain can be shortened during installation. Longer cable / chain lengths available on request. 5) Additional colour finishes may be available on request. 6) UL wired products operate at 110/120v with the appropriate lamp holder. 7) Twisted cable is not available for UL wired products. Round cable in black or brown only is supplied instead. 8) Refer to our website for a full list of terms and conditions.



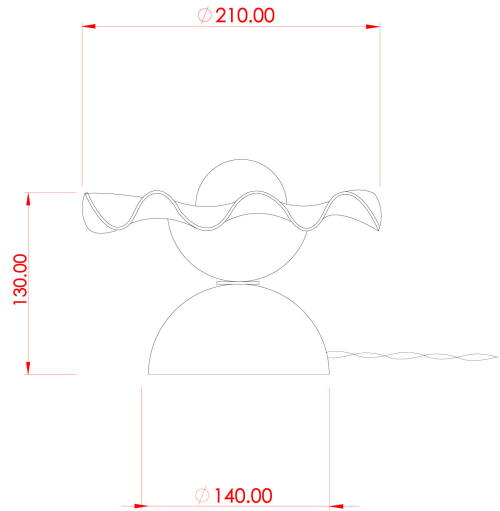
MATERIAL	Brass Ceramic
HEIGHT	13cm 5.12"
WIDTH DIAMETER	21cm 8.27"
LENGTH PROJECTION	n/a
WEIGHT	1.1KG 2.43lbs
LAMP HOLDER	G9
MAX WATTAGE	6.5W x 1
VOLTAGE	220/240v or 110/120v *
IP RATING	20
CLASS PROTECTION	II
SHADE CODE	GL208
CABLE CHAIN BAR LENGT	n/a
CABLE TYPE	MLCA001 2 Core Twist Black Braid PVC

Fixing Bracket -

* Fixing bracket may differ for UL wired products.

Product Notes:

1) Bulbs not included. 2) Dimensions do not include bulbs. 3) All products are individually made-to-order and therefore may differ slightly within manufacturing tolerances. 4) Cable / chain can be shortened during installation. Longer cable / chain lengths available on request. 5) Additional colour finishes may be available on request. 6) UL wired products operate at 110/120v with the appropriate lamp holder. 7) Twisted cable is not available for UL wired products. Round cable in black or brown only is supplied instead. 8) Refer to our website for a full list of terms and conditions.



MATERIAL	Brass Ceramic
HEIGHT	13cm 5.12"
WIDTH DIAMETER	21cm 8.27"
LENGTH PROJECTION	n/a
WEIGHT	1.1KG 2.43lbs
LAMP HOLDER	G9
MAX WATTAGE	6.5W x 1
VOLTAGE	220/240v or 110/120v *
IP RATING	20
CLASS PROTECTION	II
SHADE CODE	GL192
CABLE CHAIN BAR LENGT	n/a
CABLE TYPE	MLCA001 2 Core Twist Black Braid PVC

Fixing Bracket -

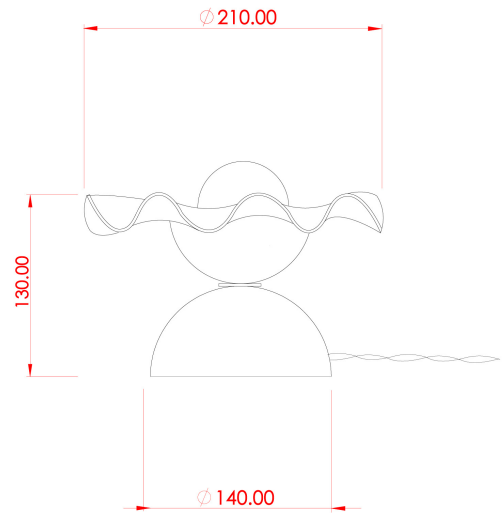
* Fixing bracket may differ for UL wired products.

Product Notes:

1) Bulbs not included. 2) Dimensions do not include bulbs. 3) All products are individually made-to-order and therefore may differ slightly within manufacturing tolerances. 4) Cable / chain can be shortened during installation. Longer cable / chain lengths available on request. 5) Additional colour finishes may be available on request. 6) UL wired products operate at 110/120v with the appropriate lamp holder. 7) Twisted cable is not available for UL wired products. Round cable in black or brown only is supplied instead. 8) Refer to our website for a full list of terms and conditions.

RIVALE Ceramic Table Lamp

MLCMTL036SATBRSC L Satin Brass



MATERIAL	Brass Ceramic
HEIGHT	13cm 5.12"
WIDTH DIAMETER	21cm 8.27"
LENGTH PROJECTION	n/a
WEIGHT	1.1KG 2.43lbs
LAMP HOLDER	G9
MAX WATTAGE	6.5W x 1
VOLTAGE	220/240v or 110/120v *
IP RATING	20
CLASS PROTECTION	II
SHADE CODE	GL196
CABLE CHAIN BAR LENGT	n/a
CABLE TYPE	MLCA001 2 Core Twist Black Braid PVC

Fixing Bracket -

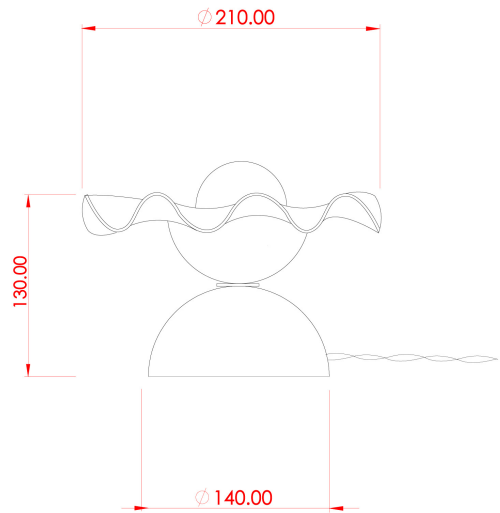
* Fixing bracket may differ for UL wired products.

Product Notes:

1) Bulbs not included. 2) Dimensions do not include bulbs. 3) All products are individually made-to-order and therefore may differ slightly within manufacturing tolerances. 4) Cable / chain can be shortened during installation. Longer cable / chain lengths available on request. 5) Additional colour finishes may be available on request. 6) UL wired products operate at 110/120v with the appropriate lamp holder. 7) Twisted cable is not available for UL wired products. Round cable in black or brown only is supplied instead. 8) Refer to our website for a full list of terms and conditions.

RIVALE Ceramic Table Lamp

MLCMTL036SATBRSFR Satin Brass

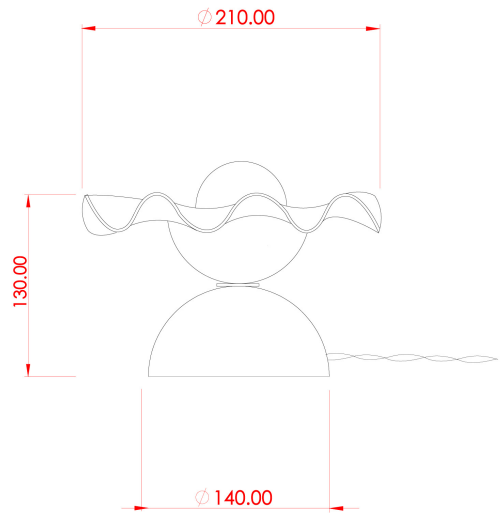


MATERIAL	Brass Ceramic
HEIGHT	13cm 5.12"
WIDTH DIAMETER	21cm 8.27"
LENGTH PROJECTION	n/a
WEIGHT	1.1KG 2.43lbs
LAMP HOLDER	G9
MAX WATTAGE	6.5W x 1
VOLTAGE	220/240v or 110/120v *
IP RATING	20
CLASS PROTECTION	II
SHADE CODE	GL208
CABLE CHAIN BAR LENGT	n/a
CABLE TYPE	MLCA001 2 Core Twist Black Braid PVC

Fixing Bracket -
* Fixing bracket may differ for UL wired products.

Product Notes:

1) Bulbs not included. 2) Dimensions do not include bulbs. 3) All products are individually made-to-order and therefore may differ slightly within manufacturing tolerances. 4) Cable / chain can be shortened during installation. Longer cable / chain lengths available on request. 5) Additional colour finishes may be available on request. 6) UL wired products operate at 110/120v with the appropriate lamp holder. 7) Twisted cable is not available for UL wired products. Round cable in black or brown only is supplied instead. 8) Refer to our website for a full list of terms and conditions.



MATERIAL	Brass Ceramic
HEIGHT	13cm 5.12"
WIDTH DIAMETER	21cm 8.27"
LENGTH PROJECTION	n/a
WEIGHT	1.1KG 2.43lbs
LAMP HOLDER	G9
MAX WATTAGE	6.5W x 1
VOLTAGE	220/240v or 110/120v *
IP RATING	20
CLASS PROTECTION	II
SHADE CODE	GL192
CABLE CHAIN BAR LENGT	n/a
CABLE TYPE	MLCA001 2 Core Twist Black Braid PVC

Fixing Bracket -

* Fixing bracket may differ for UL wired products.

Product Notes:

1) Bulbs not included. 2) Dimensions do not include bulbs. 3) All products are individually made-to-order and therefore may differ slightly within manufacturing tolerances. 4) Cable / chain can be shortened during installation. Longer cable / chain lengths available on request. 5) Additional colour finishes may be available on request. 6) UL wired products operate at 110/120v with the appropriate lamp holder. 7) Twisted cable is not available for UL wired products. Round cable in black or brown only is supplied instead. 8) Refer to our website for a full list of terms and conditions.