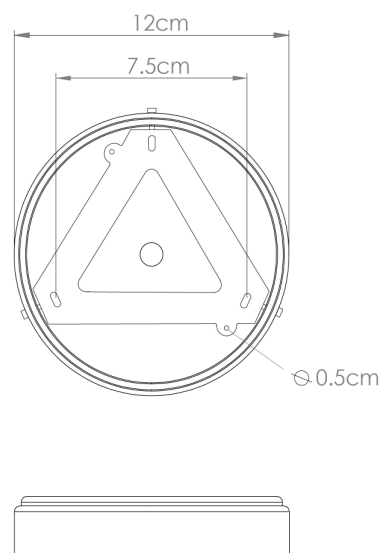




MATERIAL	Brass Rattan
HEIGHT	41cm 16.14"
WIDTH DIAMETER	67cm 26.38"
LENGTH PROJECTION	n/a
WEIGHT	4KG 8.82lbs
LAMPHOLDER	E27 x 1
MAX WATTAGE	40W x 1
VOLTAGE	220/240v
IP RATING	20
CLASS PROTECTION	I
SHADE	MLSH045
FLEX BAR CHAIN LENGT	100cm 40"
CABLE TYPE	MLCA047 2 Core Round Brown Braid PVC

Fixing Bracket MLWB17



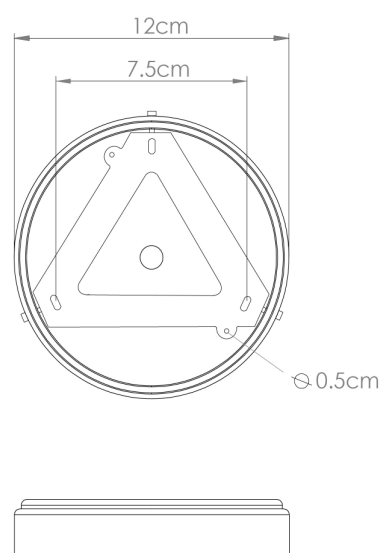
Product Notes:

1) Lamps not included with light fixture. 2) All products are individually hand crafted, therefore may differ slightly within manufacturing tolerances. 3) Please refer to: <http://www.mullanlighting.com/terms> for full list of Terms & Conditions. 4) Cable/Chain can be shortened during installation. 5) Longer Cable/Chain available on request. 6) Additional colour finishes available on request. 7.) Dimensions do not include lamps. 8.) Products wired to UL standards will operate at 110/120v with the appropriate lampholders.



MATERIAL	Brass Rattan
HEIGHT	41cm 16.14"
WIDTH DIAMETER	67cm 26.38"
LENGTH PROJECTION	n/a
WEIGHT	4KG 8.82lbs
LAMPHOLDER	E27 x 1
MAX WATTAGE	6.5W x 1
VOLTAGE	220/240v
IP RATING	65
CLASS PROTECTION	II
SHADE	MLSH045
FLEX BAR CHAIN LENGT	100cm 40"
CABLE TYPE	MLOCA002 2 Core Round Black Braid Rubber

Fixing Bracket MLWB17



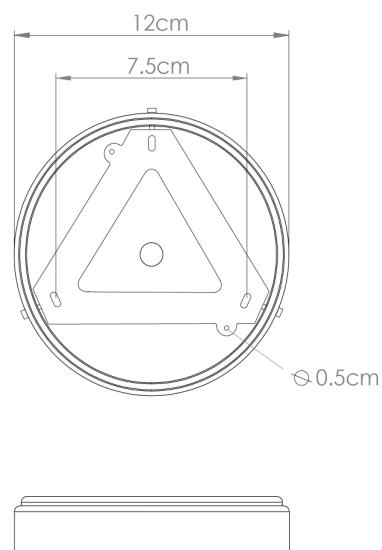
Product Notes:

1) Lamps not included with light fixture. 2) All products are individually hand crafted, therefore may differ slightly within manufacturing tolerances. 3) Please refer to: <http://www.mullanlighting.com/terms> for full list of Terms & Conditions. 4) Cable/Chain can be shortened during installation. 5) Longer Cable/Chain available on request. 6) Additional colour finishes available on request. 7.) Dimensions do not include lamps. 8.) Products wired to UL standards will operate at 110/120v with the appropriate lampholders.



MATERIAL	Brass Rattan
HEIGHT	41cm 16.14"
WIDTH DIAMETER	67cm 26.38"
LENGTH PROJECTION	n/a
WEIGHT	4KG 8.82lbs
LAMPHOLDER	E27 x 1
MAX WATTAGE	40W x 1
VOLTAGE	220/240v
IP RATING	20
CLASS PROTECTION	I
SHADE	MLSH045
FLEX BAR CHAIN LENGT	100cm 40"
CABLE TYPE	MLCA028 2 Core Round Black Braid PVC

Fixing Bracket MLWB17

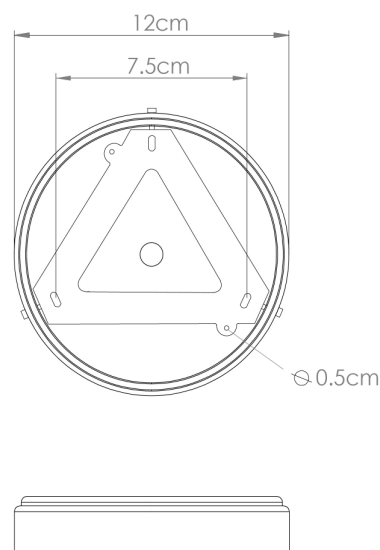

Product Notes:

1) Lamps not included with light fixture. 2) All products are individually hand crafted, therefore may differ slightly within manufacturing tolerances. 3) Please refer to: <http://www.mullanlighting.com/terms> for full list of Terms & Conditions. 4) Cable/Chain can be shortened during installation. 5) Longer Cable/Chain available on request. 6) Additional colour finishes available on request. 7.) Dimensions do not include lamps. 8.) Products wired to UL standards will operate at 110/120v with the appropriate lampholders.



MATERIAL	Brass Rattan
HEIGHT	41cm 16.14"
WIDTH DIAMETER	67cm 26.38"
LENGTH PROJECTION	n/a
WEIGHT	4KG 8.82lbs
LAMPHOLDER	E27 x 1
MAX WATTAGE	6.5W x 1
VOLTAGE	220/240v
IP RATING	65
CLASS PROTECTION	II
SHADE	MLSH045
FLEX BAR CHAIN LENGT	100cm 40"
CABLE TYPE	MLOCA002 2 Core Round Black Braid Rubber

Fixing Bracket MLWB17


Product Notes:

1) Lamps not included with light fixture. 2) All products are individually hand crafted, therefore may differ slightly within manufacturing tolerances. 3) Please refer to: <http://www.mullanlighting.com/terms> for full list of Terms & Conditions. 4) Cable/Chain can be shortened during installation. 5) Longer Cable/Chain available on request. 6) Additional colour finishes available on request. 7.) Dimensions do not include lamps. 8.) Products wired to UL standards will operate at 110/120v with the appropriate lampholders.

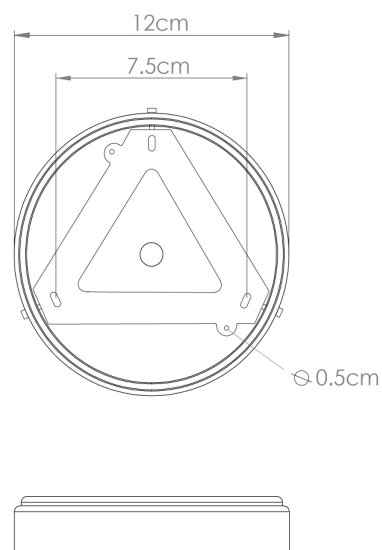
BETTY Pendant

MLP487PCMBKIP20 Matt Black



MATERIAL	Brass Rattan
HEIGHT	41cm 16.14"
WIDTH DIAMETER	67cm 26.38"
LENGTH PROJECTION	n/a
WEIGHT	4KG 8.82lbs
LAMPHOLDER	E27 x 1
MAX WATTAGE	40W x 1
VOLTAGE	220/240v
IP RATING	20
CLASS PROTECTION	I
SHADE	MLSH045
FLEX BAR CHAIN LENGT	100cm 40"
CABLE TYPE	MLCA028 2 Core Round Black Braid PVC

Fixing Bracket MLWB17



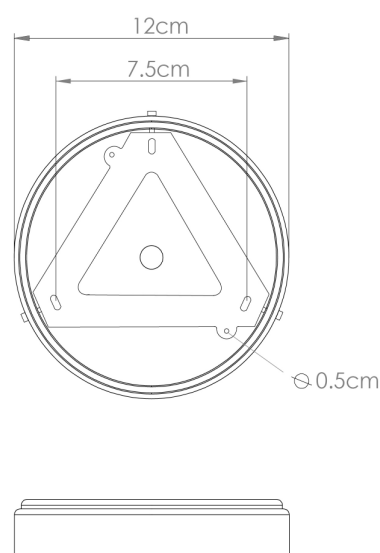
Product Notes:

1) Lamps not included with light fixture. 2) All products are individually hand crafted, therefore may differ slightly within manufacturing tolerances. 3) Please refer to: <http://www.mullanlighting.com/terms> for full list of Terms & Conditions. 4) Cable/Chain can be shortened during installation. 5) Longer Cable/Chain available on request. 6) Additional colour finishes available on request. 7.) Dimensions do not include lamps. 8.) Products wired to UL standards will operate at 110/120v with the appropriate lampholders.



MATERIAL	Brass Rattan
HEIGHT	41cm 16.14"
WIDTH DIAMETER	67cm 26.38"
LENGTH PROJECTION	n/a
WEIGHT	4KG 8.82lbs
LAMPHOLDER	E27 x 1
MAX WATTAGE	6.5W x 1
VOLTAGE	220/240v
IP RATING	65
CLASS PROTECTION	II
SHADE	MLSH045
FLEX BAR CHAIN LENGT	100cm 40"
CABLE TYPE	MLOCA002 2 Core Round Black Braid Rubber

Fixing Bracket MLWB17



Product Notes:

1) Lamps not included with light fixture. 2) All products are individually hand crafted, therefore may differ slightly within manufacturing tolerances. 3) Please refer to: <http://www.mullanlighting.com/terms> for full list of Terms & Conditions. 4) Cable/Chain can be shortened during installation. 5) Longer Cable/Chain available on request. 6) Additional colour finishes available on request. 7.) Dimensions do not include lamps. 8.) Products wired to UL standards will operate at 110/120v with the appropriate lampholders.

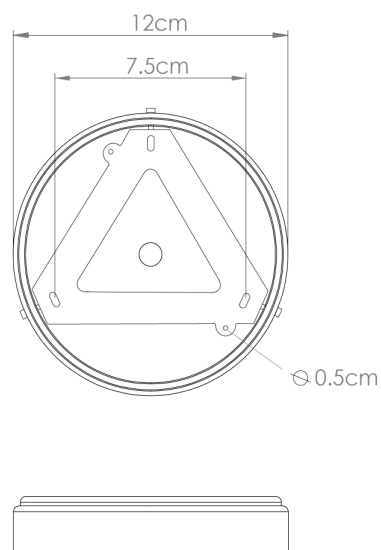
BETTY Pendant

MLP487POLBRSIP20 Polished Brass



MATERIAL	Brass Rattan
HEIGHT	41cm 16.14"
WIDTH DIAMETER	67cm 26.38"
LENGTH PROJECTION	n/a
WEIGHT	4KG 8.82lbs
LAMPHOLDER	E27 x 1
MAX WATTAGE	40W x 1
VOLTAGE	220/240v
IP RATING	20
CLASS PROTECTION	I
SHADE	MLSH045
FLEX BAR CHAIN LENGT	100cm 40"
CABLE TYPE	MLCA028 2 Core Round Black Braid PVC

Fixing Bracket MLWB17



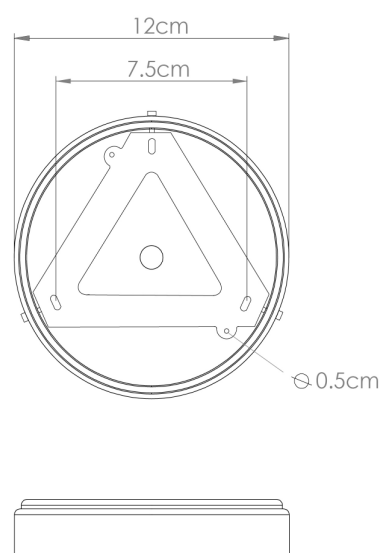
Product Notes:

1) Lamps not included with light fixture. 2) All products are individually hand crafted, therefore may differ slightly within manufacturing tolerances. 3) Please refer to: <http://www.mullanlighting.com/terms> for full list of Terms & Conditions. 4) Cable/Chain can be shortened during installation. 5) Longer Cable/Chain available on request. 6) Additional colour finishes available on request. 7.) Dimensions do not include lamps. 8.) Products wired to UL standards will operate at 110/120v with the appropriate lampholders.



MATERIAL	Brass Rattan
HEIGHT	41cm 16.14"
WIDTH DIAMETER	67cm 26.38"
LENGTH PROJECTION	n/a
WEIGHT	4KG 8.82lbs
LAMPHOLDER	E27 x 1
MAX WATTAGE	6.5W x 1
VOLTAGE	220/240v
IP RATING	65
CLASS PROTECTION	II
SHADE	MLSH045
FLEX BAR CHAIN LENGT	100cm 40"
CABLE TYPE	MLOCA002 2 Core Round Black Braid Rubber

Fixing Bracket MLWB17



Product Notes:

1) Lamps not included with light fixture. 2) All products are individually hand crafted, therefore may differ slightly within manufacturing tolerances. 3) Please refer to: <http://www.mullanlighting.com/terms> for full list of Terms & Conditions. 4) Cable/Chain can be shortened during installation. 5) Longer Cable/Chain available on request. 6) Additional colour finishes available on request. 7.) Dimensions do not include lamps. 8.) Products wired to UL standards will operate at 110/120v with the appropriate lampholders.