

TANSY Ceramic Pendant

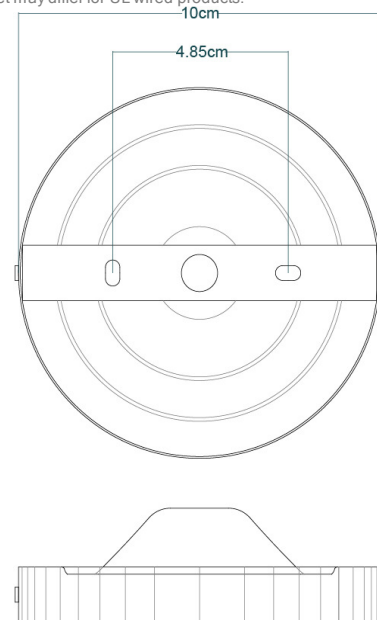
MLCMP021ANTBRSC L Antique Brass



MATERIAL	Brass Ceramic
HEIGHT	10CM 3.94"
WIDTH DIAMETER	10.5CM 4.13"
LENGTH PROJECTION	19CM 7.48"
WEIGHT	0.378KG 0.83lbs
LAMP HOLDER	G9
MAX WATTAGE	6.5W x 1
VOLTAGE	220/240v or 110/120v*
IP RATING	20
CLASS PROTECTION	I
SHADE CODE	GL196
CABLE CHAIN BAR LENGT	100cm 40"
CABLE TYPE	

Fixing Bracket MLWB02

* Fixing bracket may differ for UL wired products.



Product Notes:

1) Bulbs not included. 2) Dimensions do not include bulbs. 3) All products are individually made-to-order and therefore may differ slightly within manufacturing tolerances. 4) Cable / chain can be shortened during installation. Longer cable / chain lengths available on request. 5) Additional colour finishes may be available on request. 6) UL wired products operate at 110/120v with the appropriate lamp holder. 7) Twisted cable is not available for UL wired products. Round cable in black or brown only is supplied instead. 8) Refer to our website for a full list of terms and conditions.

TANSY Ceramic Pendant

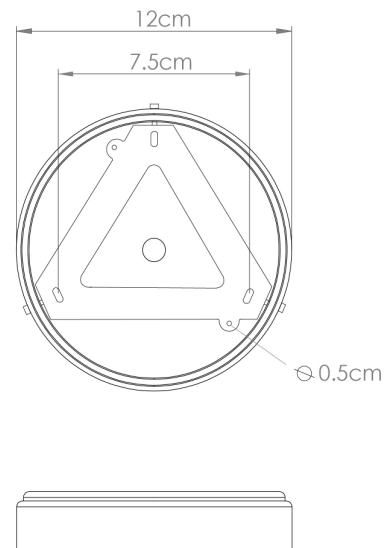
MLCMP021ANTBRSFR Antique Brass



MATERIAL	Brass
HEIGHT	14cm 5.51"
WIDTH DIAMETER	12cm 4.72"
LENGTH PROJECTION	9.5cm 3.74"
WEIGHT	0.6KG 1.32lbs
LAMP HOLDER	G9
MAX WATTAGE	6.5W x 1
VOLTAGE	220/240v or 110/120v*
IP RATING	20
CLASS PROTECTION	I
SHADE CODE	GL208
CABLE CHAIN BAR LENGT	100cm 40"
CABLE TYPE	MLCA002 2 Core Twist Brown Braid PVC

Fixing Bracket MLROSE39| Antique Brass

* Fixing bracket may differ for UL wired products.



Product Notes:

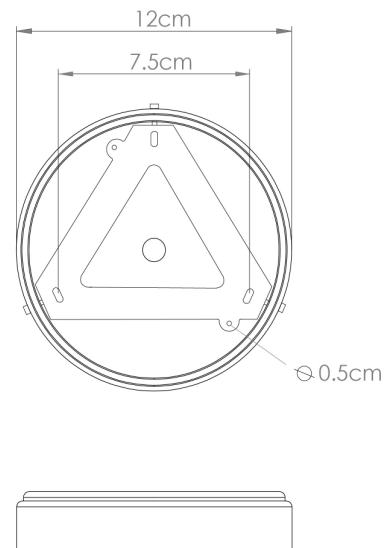
1) Bulbs not included. 2) Dimensions do not include bulbs. 3) All products are individually made-to-order and therefore may differ slightly within manufacturing tolerances. 4) Cable / chain can be shortened during installation. Longer cable / chain lengths available on request. 5) Additional colour finishes may be available on request. 6) UL wired products operate at 110/120v with the appropriate lamp holder. 7) Twisted cable is not available for UL wired products. Round cable in black or brown only is supplied instead. 8) Refer to our website for a full list of terms and conditions.



MATERIAL	Brass
HEIGHT	14cm 5.51"
WIDTH DIAMETER	12cm 4.72"
LENGTH PROJECTION	9.5cm 3.74"
WEIGHT	0.6KG 1.32lbs
LAMP HOLDER	G9
MAX WATTAGE	6.5W x 1
VOLTAGE	220/240v or 110/120v*
IP RATING	20
CLASS PROTECTION	I
SHADE CODE	GL192
CABLE CHAIN BAR LENGT	100cm 40"
CABLE TYPE	MLCA002 2 Core Twist Brown Braid PVC

Fixing Bracket MLROSE39| Antique Brass

* Fixing bracket may differ for UL wired products.



Product Notes:

1) Bulbs not included. 2) Dimensions do not include bulbs. 3) All products are individually made-to-order and therefore may differ slightly within manufacturing tolerances. 4) Cable / chain can be shortened during installation. Longer cable / chain lengths available on request. 5) Additional colour finishes may be available on request. 6) UL wired products operate at 110/120v with the appropriate lamp holder. 7) Twisted cable is not available for UL wired products. Round cable in black or brown only is supplied instead. 8) Refer to our website for a full list of terms and conditions.

TANSY Ceramic Pendant

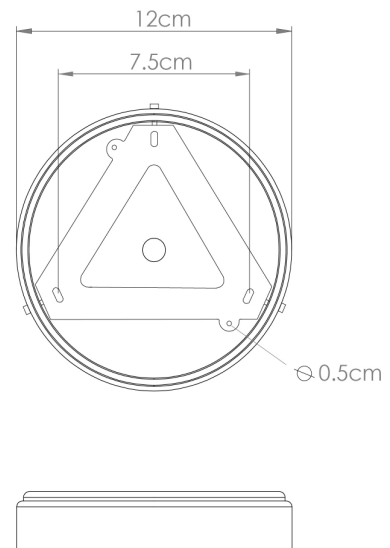
MLCMP021ANTSLVCL Antique Silver



MATERIAL	Brass
HEIGHT	14cm 5.51"
WIDTH DIAMETER	12cm 4.72"
LENGTH PROJECTION	9.5cm 3.74"
WEIGHT	0.6KG 1.32lbs
LAMP HOLDER	G9
MAX WATTAGE	6.5W x 1
VOLTAGE	220/240v or 110/120v *
IP RATING	20
CLASS PROTECTION	I
SHADE CODE	GL196
CABLE CHAIN BAR LENGT	100cm 40"
CABLE TYPE	MLCA001 2 Core Twist Black Braid PVC

Fixing Bracket MLROSE39| Antique Silver

* Fixing bracket may differ for UL wired products.



Product Notes:

1) Bulbs not included. 2) Dimensions do not include bulbs. 3) All products are individually made-to-order and therefore may differ slightly within manufacturing tolerances. 4) Cable / chain can be shortened during installation. Longer cable / chain lengths available on request. 5) Additional colour finishes may be available on request. 6) UL wired products operate at 110/120v with the appropriate lamp holder. 7) Twisted cable is not available for UL wired products. Round cable in black or brown only is supplied instead. 8) Refer to our website for a full list of terms and conditions.

TANSY Ceramic Pendant

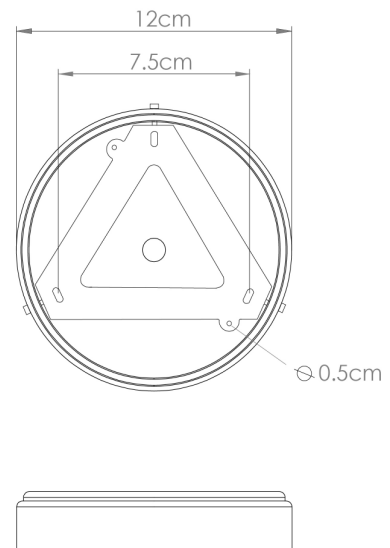
MLCMP021ANTSLVFR Antique Silver



MATERIAL	Brass
HEIGHT	14cm 5.51"
WIDTH DIAMETER	12cm 4.72"
LENGTH PROJECTION	9.5cm 3.74"
WEIGHT	0.6KG 1.32lbs
LAMP HOLDER	G9
MAX WATTAGE	6.5W x 1
VOLTAGE	220/240v or 110/120v*
IP RATING	20
CLASS PROTECTION	I
SHADE CODE	GL208
CABLE CHAIN BAR LENGT	100cm 40"
CABLE TYPE	MLCA001 2 Core Twist Black Braid PVC

Fixing Bracket MLROSE39| Antique Silver

* Fixing bracket may differ for UL wired products.



Product Notes:

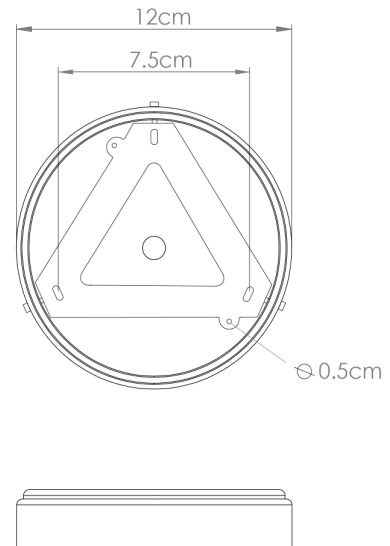
1) Bulbs not included. 2) Dimensions do not include bulbs. 3) All products are individually made-to-order and therefore may differ slightly within manufacturing tolerances. 4) Cable / chain can be shortened during installation. Longer cable / chain lengths available on request. 5) Additional colour finishes may be available on request. 6) UL wired products operate at 110/120v with the appropriate lamp holder. 7) Twisted cable is not available for UL wired products. Round cable in black or brown only is supplied instead. 8) Refer to our website for a full list of terms and conditions.



MATERIAL	Brass
HEIGHT	14cm 5.51"
WIDTH DIAMETER	12cm 4.72"
LENGTH PROJECTION	9.5cm 3.74"
WEIGHT	0.6KG 1.32lbs
LAMP HOLDER	G9
MAX WATTAGE	6.5W x 1
VOLTAGE	220/240v or 110/120v*
IP RATING	20
CLASS PROTECTION	I
SHADE CODE	GL192
CABLE CHAIN BAR LENGT	100cm 40"
CABLE TYPE	MLCA001 2 Core Twist Black Braid PVC

Fixing Bracket MLROSE39| Antique Silver

* Fixing bracket may differ for UL wired products.



Product Notes:

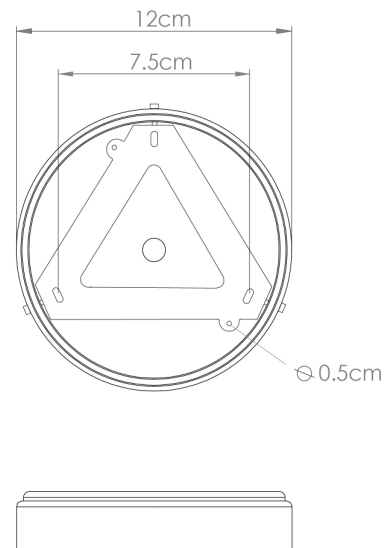
1) Bulbs not included. 2) Dimensions do not include bulbs. 3) All products are individually made-to-order and therefore may differ slightly within manufacturing tolerances. 4) Cable / chain can be shortened during installation. Longer cable / chain lengths available on request. 5) Additional colour finishes may be available on request. 6) UL wired products operate at 110/120v with the appropriate lamp holder. 7) Twisted cable is not available for UL wired products. Round cable in black or brown only is supplied instead. 8) Refer to our website for a full list of terms and conditions.



MATERIAL	Brass
HEIGHT	14cm 5.51"
WIDTH DIAMETER	12cm 4.72"
LENGTH PROJECTION	9.5cm 3.74"
WEIGHT	0.6KG 1.32lbs
LAMP HOLDER	G9
MAX WATTAGE	6.5W x 1
VOLTAGE	220/240v or 110/120v *
IP RATING	20
CLASS PROTECTION	I
SHADE CODE	GL196
CABLE CHAIN BAR LENGT	100cm 40"
CABLE TYPE	MLCA001 2 Core Twist Black Braid PVC

Fixing Bracket MLROSE39| Polished Brass

* Fixing bracket may differ for UL wired products.



Product Notes:

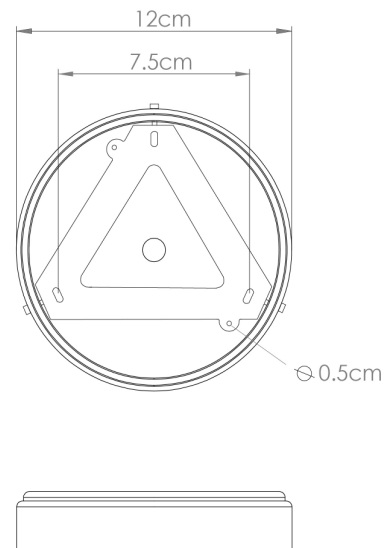
1) Bulbs not included. 2) Dimensions do not include bulbs. 3) All products are individually made-to-order and therefore may differ slightly within manufacturing tolerances. 4) Cable / chain can be shortened during installation. Longer cable / chain lengths available on request. 5) Additional colour finishes may be available on request. 6) UL wired products operate at 110/120v with the appropriate lamp holder. 7) Twisted cable is not available for UL wired products. Round cable in black or brown only is supplied instead. 8) Refer to our website for a full list of terms and conditions.



MATERIAL	Brass
HEIGHT	14cm 5.51"
WIDTH DIAMETER	12cm 4.72"
LENGTH PROJECTION	9.5cm 3.74"
WEIGHT	0.6KG 1.32lbs
LAMP HOLDER	G9
MAX WATTAGE	6.5W x 1
VOLTAGE	220/240v or 110/120v*
IP RATING	20
CLASS PROTECTION	I
SHADE CODE	GL208
CABLE CHAIN BAR LENGT	100cm 40"
CABLE TYPE	MLCA001 2 Core Twist Black Braid PVC

Fixing Bracket MLROSE39| Polished Brass

* Fixing bracket may differ for UL wired products.



Product Notes:

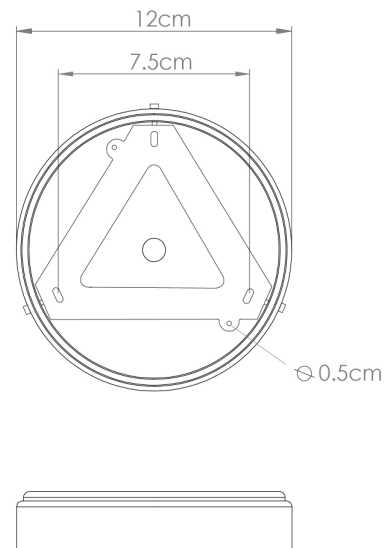
1) Bulbs not included. 2) Dimensions do not include bulbs. 3) All products are individually made-to-order and therefore may differ slightly within manufacturing tolerances. 4) Cable / chain can be shortened during installation. Longer cable / chain lengths available on request. 5) Additional colour finishes may be available on request. 6) UL wired products operate at 110/120v with the appropriate lamp holder. 7) Twisted cable is not available for UL wired products. Round cable in black or brown only is supplied instead. 8) Refer to our website for a full list of terms and conditions.



MATERIAL	Brass
HEIGHT	14cm 5.51"
WIDTH DIAMETER	12cm 4.72"
LENGTH PROJECTION	9.5cm 3.74"
WEIGHT	0.6KG 1.32lbs
LAMP HOLDER	G9
MAX WATTAGE	6.5W x 1
VOLTAGE	220/240v or 110/120v*
IP RATING	20
CLASS PROTECTION	I
SHADE CODE	GL192
CABLE CHAIN BAR LENGT	100cm 40"
CABLE TYPE	MLCA001 2 Core Twist Black Braid PVC

Fixing Bracket MLROSE39| Polished Brass

* Fixing bracket may differ for UL wired products.



Product Notes:

1) Bulbs not included. 2) Dimensions do not include bulbs. 3) All products are individually made-to-order and therefore may differ slightly within manufacturing tolerances. 4) Cable / chain can be shortened during installation. Longer cable / chain lengths available on request. 5) Additional colour finishes may be available on request. 6) UL wired products operate at 110/120v with the appropriate lamp holder. 7) Twisted cable is not available for UL wired products. Round cable in black or brown only is supplied instead. 8) Refer to our website for a full list of terms and conditions.

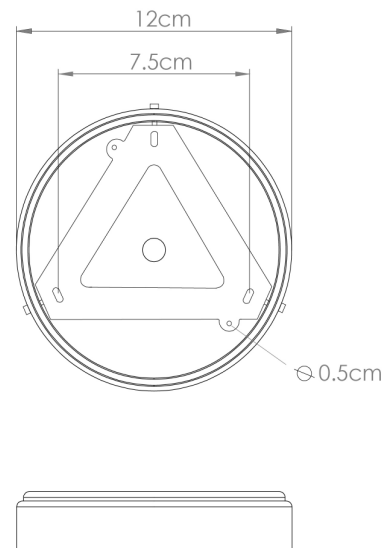
TANSY Ceramic Pendant

MLCMP021SATBRSC L Satin Brass



MATERIAL	Brass
HEIGHT	14cm 5.51"
WIDTH DIAMETER	12cm 4.72"
LENGTH PROJECTION	9.5cm 3.74"
WEIGHT	0.6KG 1.32lbs
LAMP HOLDER	G9
MAX WATTAGE	6.5W x 1
VOLTAGE	220/240v or 110/120v*
IP RATING	20
CLASS PROTECTION	I
SHADE CODE	GL196
CABLE CHAIN BAR LENGT	100cm 40"
CABLE TYPE	MLCA001 2 Core Twist Black Braid PVC

Fixing Bracket MLROSE39| Satin Brass
 * Fixing bracket may differ for UL wired products.



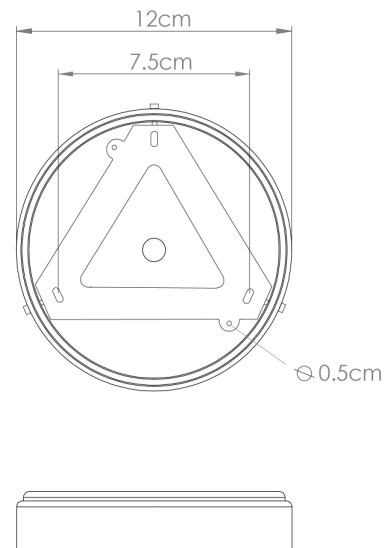
Product Notes:

1) Bulbs not included. 2) Dimensions do not include bulbs. 3) All products are individually made-to-order and therefore may differ slightly within manufacturing tolerances. 4) Cable / chain can be shortened during installation. Longer cable / chain lengths available on request. 5) Additional colour finishes may be available on request. 6) UL wired products operate at 110/120v with the appropriate lamp holder. 7) Twisted cable is not available for UL wired products. Round cable in black or brown only is supplied instead. 8) Refer to our website for a full list of terms and conditions.



MATERIAL	Brass
HEIGHT	14cm 5.51"
WIDTH DIAMETER	12cm 4.72"
LENGTH PROJECTION	9.5cm 3.74"
WEIGHT	0.6KG 1.32lbs
LAMP HOLDER	G9
MAX WATTAGE	6.5W x 1
VOLTAGE	220/240v or 110/120v*
IP RATING	20
CLASS PROTECTION	I
SHADE CODE	GL208
CABLE CHAIN BAR LENGT	100cm 40"
CABLE TYPE	MLCA001 2 Core Twist Black Braid PVC

Fixing Bracket MLROSE39| Satin Brass
 * Fixing bracket may differ for UL wired products.



Product Notes:

1) Bulbs not included. 2) Dimensions do not include bulbs. 3) All products are individually made-to-order and therefore may differ slightly within manufacturing tolerances. 4) Cable / chain can be shortened during installation. Longer cable / chain lengths available on request. 5) Additional colour finishes may be available on request. 6) UL wired products operate at 110/120v with the appropriate lamp holder. 7) Twisted cable is not available for UL wired products. Round cable in black or brown only is supplied instead. 8) Refer to our website for a full list of terms and conditions.

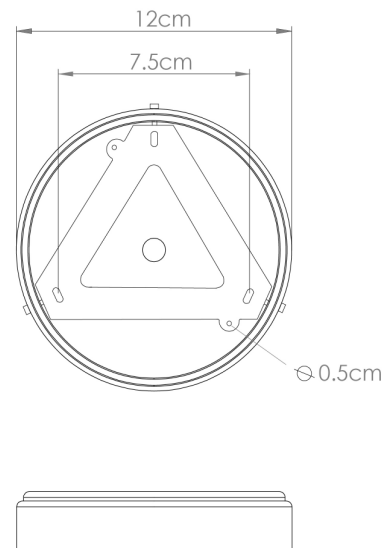
TANSY Ceramic Pendant

MLCMP021SATBRSOP Satin Brass



MATERIAL	Brass
HEIGHT	14cm 5.51"
WIDTH DIAMETER	12cm 4.72"
LENGTH PROJECTION	9.5cm 3.74"
WEIGHT	0.6KG 1.32lbs
LAMP HOLDER	G9
MAX WATTAGE	6.5W x 1
VOLTAGE	220/240v or 110/120v *
IP RATING	20
CLASS PROTECTION	I
SHADE CODE	GL192
CABLE CHAIN BAR LENGT	100cm 40"
CABLE TYPE	MLCA001 2 Core Twist Black Braid PVC

Fixing Bracket MLROSE39| Satin Brass
 * Fixing bracket may differ for UL wired products.



Product Notes:

1) Bulbs not included. 2) Dimensions do not include bulbs. 3) All products are individually made-to-order and therefore may differ slightly within manufacturing tolerances. 4) Cable / chain can be shortened during installation. Longer cable / chain lengths available on request. 5) Additional colour finishes may be available on request. 6) UL wired products operate at 110/120v with the appropriate lamp holder. 7) Twisted cable is not available for UL wired products. Round cable in black or brown only is supplied instead. 8) Refer to our website for a full list of terms and conditions.