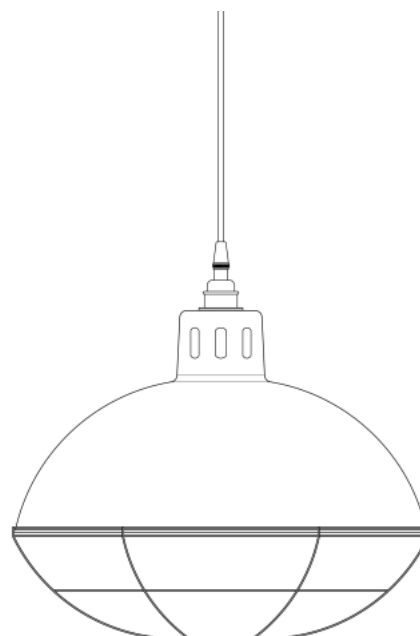


CHESTER Pendant

MLP396ANTBRS Antique Brass



MATERIAL	Brass Steel
HEIGHT	24cm 9.45"
WIDTH DIAMETER	32cm 12.6"
LENGTH PROJECTION	n/a
WEIGHT	1.4KG 3.09lbs
LAMPHOLDER	E27 x 1
MAX WATTAGE	60W x 1
VOLTAGE	220/240v
IP RATING	20
CLASS PROTECTION	I
SHADE	-
FLEX BAR CHAIN LENGT	100cm 40"
CABLE TYPE	MLCA007 3 Core Twist Brown Braid PVC

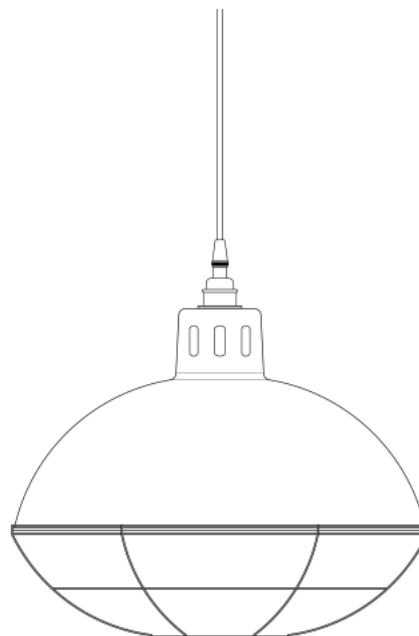
Fixing Bracket MLROSE05GRIP | Antique Brass

Product Notes:

1) Lamps not included with light fixture. 2) All products are individually hand crafted, therefore may differ slightly within manufacturing tolerances. 3) Please refer to: <http://www.mullanlighting.com/terms> for full list of Terms & Conditions. 4) Cable/Chain can be shortened during installation. 5) Longer Cable/Chain available on request. 6) Additional colour finishes available on request. 7.) Dimensions do not include lamps. 8.) Products wired to UL standards will operate at 110/120v with the appropriate lampholders.

CHESTER Pendant

MLP396ANTSLV Antique Silver



MATERIAL	Brass Steel
HEIGHT	24cm 9.45"
WIDTH DIAMETER	32cm 12.6"
LENGTH PROJECTION	n/a
WEIGHT	1.4KG 3.09lbs
LAMPHOLDER	E27 x 1
MAX WATTAGE	60W x 1
VOLTAGE	220/240v
IP RATING	20
CLASS PROTECTION	I
SHADE	-
FLEX BAR CHAIN LENGT	100cm 40"
CABLE TYPE	MLCA020 3 Core Twist Black Braid PVC

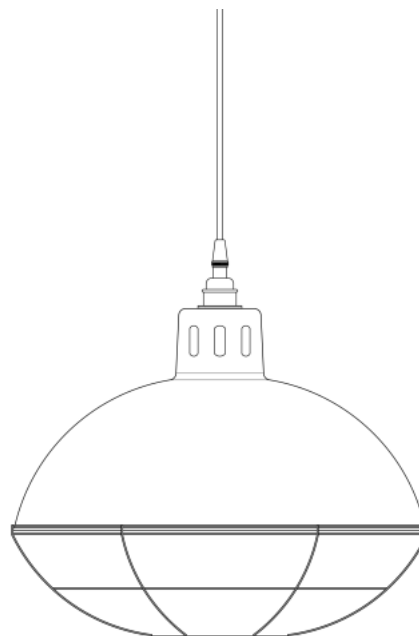
Fixing Bracket MLROSE05GRIP | Antique Silver

Product Notes:

1) Lamps not included with light fixture. 2) All products are individually hand crafted, therefore may differ slightly within manufacturing tolerances. 3) Please refer to: <http://www.mullanlighting.com/terms> for full list of Terms & Conditions. 4) Cable/Chain can be shortened during installation. 5) Longer Cable/Chain available on request. 6) Additional colour finishes available on request. 7.) Dimensions do not include lamps. 8.) Products wired to UL standards will operate at 110/120v with the appropriate lampholders.

CHESTER Pendant

MLP396POLBRS Polished Brass



MATERIAL	Brass Steel
HEIGHT	24cm 9.45"
WIDTH DIAMETER	32cm 12.6"
LENGTH PROJECTION	n/a
WEIGHT	1.4KG 3.09lbs
LAMPHOLDER	E27 x 1
MAX WATTAGE	60W x 1
VOLTAGE	220/240v
IP RATING	20
CLASS PROTECTION	I
SHADE	-
FLEX BAR CHAIN LENGT	100cm 40"
CABLE TYPE	MLCA020 3 Core Twist Black Braid PVC

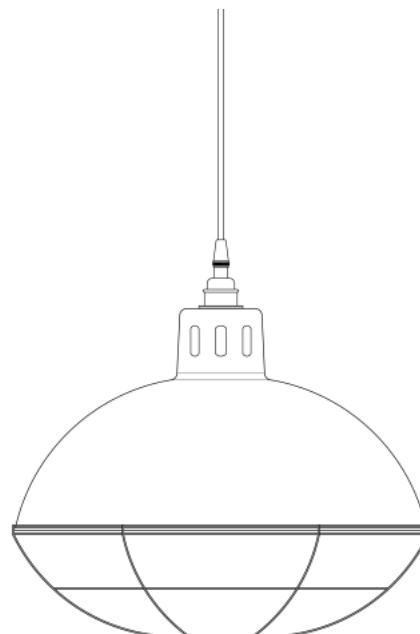
Fixing Bracket MLROSE05GRIP | Polished Brass

Product Notes:

1) Lamps not included with light fixture. 2) All products are individually hand crafted, therefore may differ slightly within manufacturing tolerances. 3) Please refer to: <http://www.mullanlighting.com/terms> for full list of Terms & Conditions. 4) Cable/Chain can be shortened during installation. 5) Longer Cable/Chain available on request. 6) Additional colour finishes available on request. 7.) Dimensions do not include lamps. 8.) Products wired to UL standards will operate at 110/120v with the appropriate lampholders.

CHESTER Pendant

MLP396SATBRS Satin Brass



MATERIAL	Brass Steel
HEIGHT	24cm 9.45"
WIDTH DIAMETER	32cm 12.6"
LENGTH PROJECTION	n/a
WEIGHT	1.4KG 3.09lbs
LAMPHOLDER	E27 x 1
MAX WATTAGE	60W x 1
VOLTAGE	220/240v
IP RATING	20
CLASS PROTECTION	I
SHADE	-
FLEX BAR CHAIN LENGT	100cm 40"
CABLE TYPE	MLCA020 3 Core Twist Black Braid PVC

Fixing Bracket MLROSE05GRIP | Satin Brass



Product Notes:

1) Lamps not included with light fixture. 2) All products are individually hand crafted, therefore may differ slightly within manufacturing tolerances. 3) Please refer to: <http://www.mullanlighting.com/terms> for full list of Terms & Conditions. 4) Cable/Chain can be shortened during installation. 5) Longer Cable/Chain available on request. 6) Additional colour finishes available on request. 7.) Dimensions do not include lamps. 8.) Products wired to UL standards will operate at 110/120v with the appropriate lampholders.

