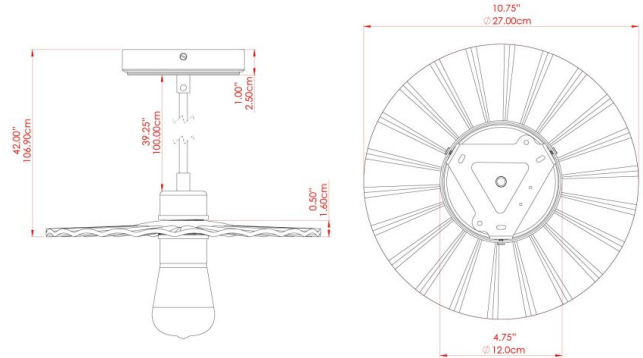


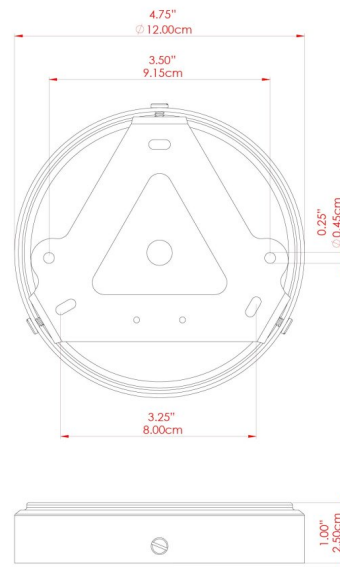
KAPOK Ceramic Pendant

MLCMP034ANTBRS Antique Brass



MATERIAL	Brass
HEIGHT	9.5cm
WIDTH DIAMETER	27cm
LENGTH PROJECTION	n/a
WEIGHT	0.9 kg
LAMPHOLDER	E27
MAX WATTAGE	40W
VOLTAGE	220/240v
IP RATING	IP20
CLASS PROTECTION	Class I
SHADE	MLCS037
FLEX BAR CHAIN LENGTH	100cm
CABLE TYPE	MLCA047 Brown Fabric Braided Cable 2 Core Round

FIXING BRACKET: MLROSE39 | Antique Brass



Product Notes:

1) Bulbs not included. 2) Dimensions do not include bulbs. 3) All products are individually made-to-order and therefore may differ slightly within manufacturing tolerances. 4) Cable / chain can be shortened during installation. Longer cable / chain lengths available on request. 5) Additional colour finishes may be available on request. 6) Refer to our website for a full list of terms and conditions.

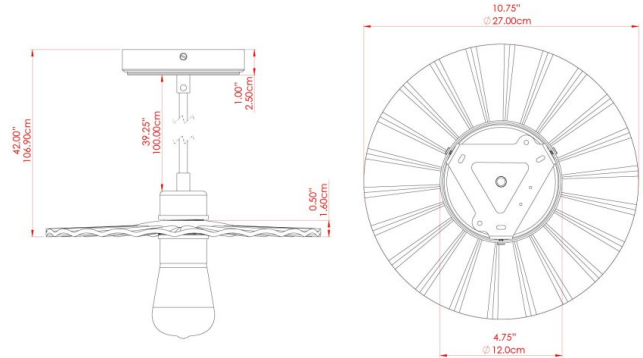


WWW.MULLANLIGHTING.COM



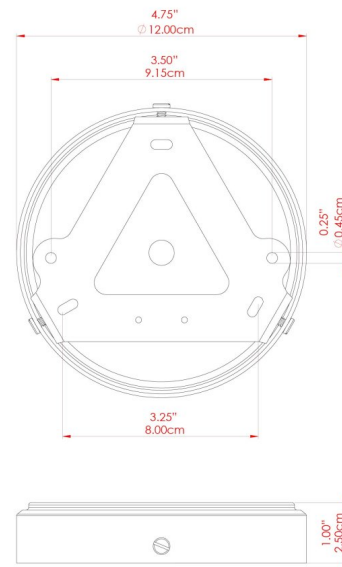
KAPOK Ceramic Pendant

MLCMP034ANTSLV Antique Silver



MATERIAL	Brass
HEIGHT	9.5cm
WIDTH DIAMETER	27cm
LENGTH PROJECTION	n/a
WEIGHT	0.9 kg
LAMPHOLDER	E27
MAX WATTAGE	40W
VOLTAGE	220/240v
IP RATING	IP20
CLASS PROTECTION	Class I
SHADE	MLCS037
FLEX BAR CHAIN LENGTH	100cm
CABLE TYPE	MLCA028 Black Fabric Braided Cable 2 Core Round

FIXING BRACKET: MLROSE39 | Antique Silver

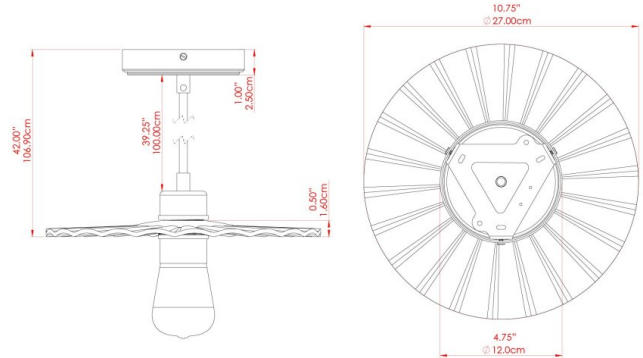


Product Notes:
 1) Bulbs not included. 2) Dimensions do not include bulbs. 3) All products are individually made-to-order and therefore may differ slightly within manufacturing tolerances. 4) Cable / chain can be shortened during installation. Longer cable / chain lengths available on request. 5) Additional colour finishes may be available on request. 6) Refer to our website for a full list of terms and conditions.



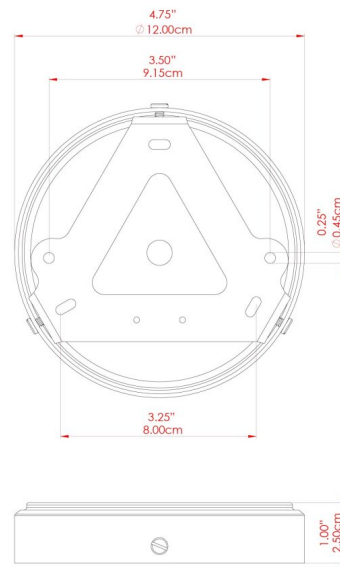
KAPOK Ceramic Pendant

MLCMP034PCMBK Matt Black



MATERIAL	Brass
HEIGHT	9.5cm
WIDTH DIAMETER	27cm
LENGTH PROJECTION	n/a
WEIGHT	0.9 kg
LAMPHOLDER	E27
MAX WATTAGE	40W
VOLTAGE	220/240v
IP RATING	IP20
CLASS PROTECTION	Class I
SHADE	MLCS037
FLEX BAR CHAIN LENGTH	100cm
CABLE TYPE	MLCA028 Black Fabric Braided Cable 2 Core Round

FIXING BRACKET: MLROSE39 | Matt Black

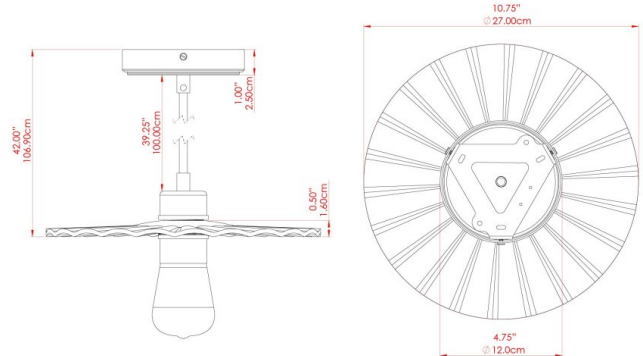


Product Notes:
 1) Bulbs not included. 2) Dimensions do not include bulbs. 3) All products are individually made-to-order and therefore may differ slightly within manufacturing tolerances. 4) Cable / chain can be shortened during installation. Longer cable / chain lengths available on request. 5) Additional colour finishes may be available on request. 6) Refer to our website for a full list of terms and conditions.



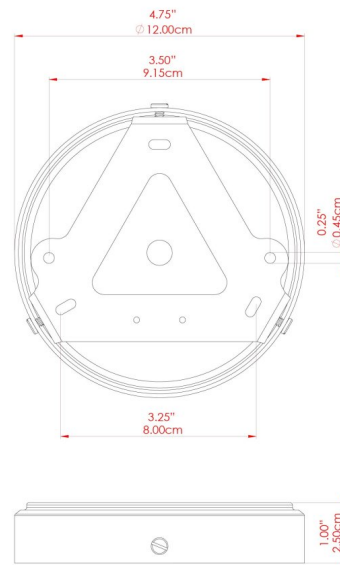
KAPOK Ceramic Pendant

MLCMP034POLBRS Polished Brass



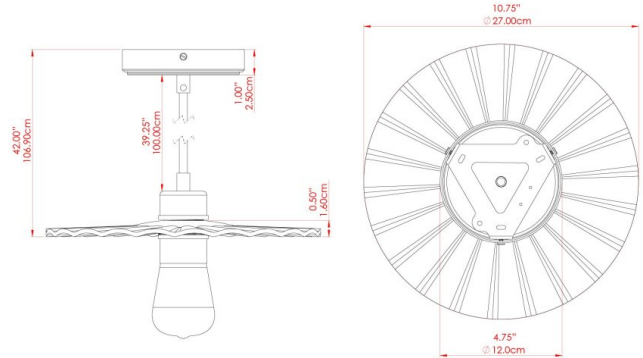
MATERIAL	Brass
HEIGHT	9.5cm
WIDTH DIAMETER	27cm
LENGTH PROJECTION	n/a
WEIGHT	0.9 kg
LAMPHOLDER	E27
MAX WATTAGE	40W
VOLTAGE	220/240v
IP RATING	IP20
CLASS PROTECTION	Class I
SHADE	MLCS037
FLEX BAR CHAIN LENGTH	100cm
CABLE TYPE	MLCA028 Black Fabric Braided Cable 2 Core Round

FIXING BRACKET: MLROSE39 | Polished Brass



KAPOK Ceramic Pendant

MLCMP034SATBRS Satin Brass



MATERIAL	Brass
HEIGHT	9.5cm
WIDTH DIAMETER	27cm
LENGTH PROJECTION	n/a
WEIGHT	0.9 kg
LAMPHOLDER	E27
MAX WATTAGE	40W
VOLTAGE	220/240v
IP RATING	IP20
CLASS PROTECTION	Class I
SHADE	MLCS037
FLEX BAR CHAIN LENGTH	100cm
CABLE TYPE	MLCA028 Black Fabric Braided Cable 2 Core Round

FIXING BRACKET: MLROSE39 | Satin Brass

