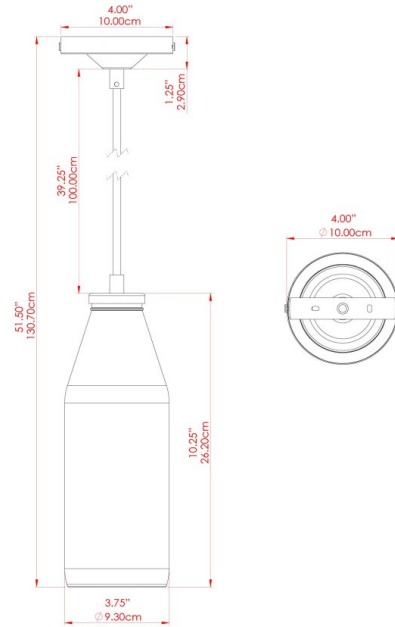


MILK Pendant

MLP231



MATERIAL	Brass
HEIGHT	25cm
WIDTH DIAMETER	8cm
LENGTH PROJECTION	n/a
WEIGHT	0.5 kg
LAMPHOLDER	G9
MAX WATTAGE	6.5W
VOLTAGE	220/240v
IP RATING	IP20
CLASS PROTECTION	Class I
SHADE	Milk Bottle x1
FLEX BAR CHAIN LENGTH	100cm
CABLE TYPE	-

FIXING BRACKET: MLCA003



WWW.MULLANLIGHTING.COM

Product Notes:

1) Bulbs not included. 2) Dimensions do not include bulbs. 3) All products are individually made-to-order and therefore may differ slightly within manufacturing tolerances. 4) Cable / chain can be shortened during installation. Longer cable / chain lengths available on request. 5) Additional colour finishes may be available on request. 6) Refer to our website for a full list of terms and conditions.

