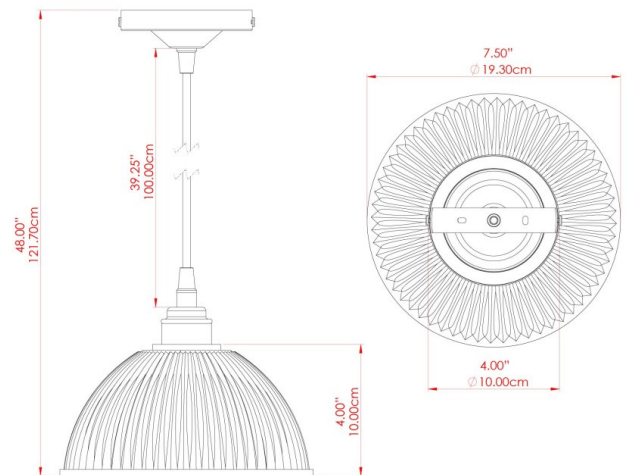


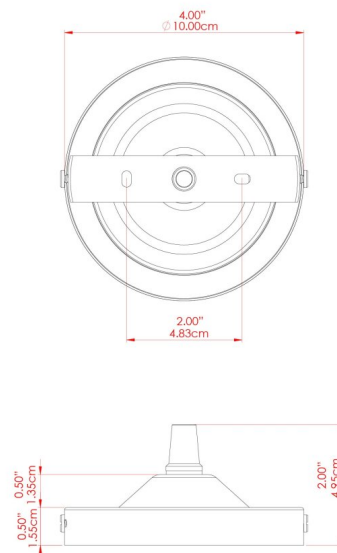
BOSTON Pendant

MLP381ANTBRS Antique Brass



MATERIAL	Brass Glass
HEIGHT	17cm
WIDTH DIAMETER	21.5cm
LENGTH PROJECTION	n/a
WEIGHT	0.89 kg
LAMPHOLDER	E27
MAX WATTAGE	40W
VOLTAGE	220/240v
IP RATING	IP20
CLASS PROTECTION	Class I
SHADE	GL096
FLEX BAR CHAIN LENGTH	100cm
CABLE TYPE	MLCA007 Brown Fabric Braided Cable 3 Core Twisted

FIXING BRACKET: MLROSE05GRIP | Antique Brass

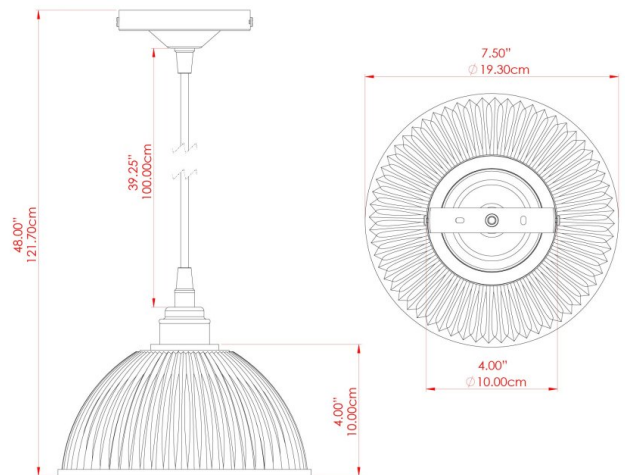


Product Notes:
 1) Bulbs not included. 2) Dimensions do not include bulbs. 3) All products are individually made-to-order and therefore may differ slightly within manufacturing tolerances. 4) Cable / chain can be shortened during installation. Longer cable / chain lengths available on request. 5) Additional colour finishes may be available on request. 6) Refer to our website for a full list of terms and conditions.



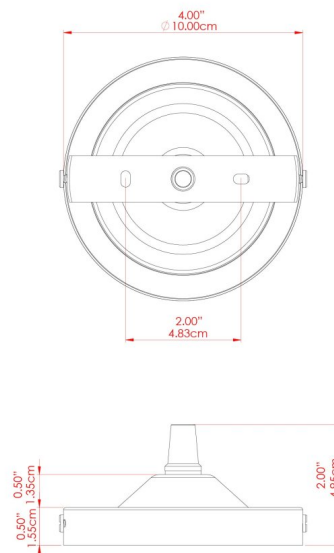
BOSTON Pendant

MLP381ANTSLV Antique Silver



MATERIAL	Brass Glass
HEIGHT	17cm
WIDTH DIAMETER	21.5cm
LENGTH PROJECTION	n/a
WEIGHT	0.89 kg
LAMPHOLDER	E27
MAX WATTAGE	40W
VOLTAGE	220/240v
IP RATING	IP20
CLASS PROTECTION	Class I
SHADE	GL096
FLEX BAR CHAIN LENGTH	100cm
CABLE TYPE	MLCA020 Black Fabric Braided Cable 3 Core Twisted

FIXING BRACKET: MLROSE05GRIP | Antique Silver

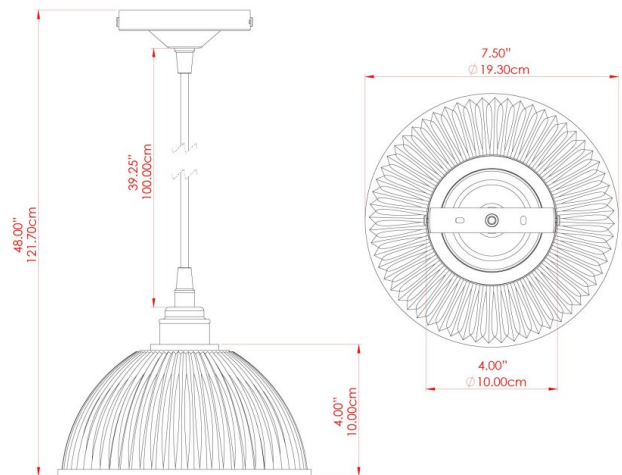


Product Notes:
 1) Bulbs not included. 2) Dimensions do not include bulbs. 3) All products are individually made-to-order and therefore may differ slightly within manufacturing tolerances. 4) Cable / chain can be shortened during installation. Longer cable / chain lengths available on request. 5) Additional colour finishes may be available on request. 6) Refer to our website for a full list of terms and conditions.



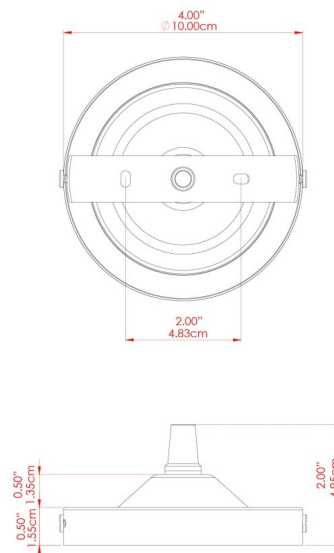
BOSTON Pendant

MLP381POLBRS Polished Brass



MATERIAL	Brass Glass
HEIGHT	17cm
WIDTH DIAMETER	21.5cm
LENGTH PROJECTION	n/a
WEIGHT	0.89 kg
LAMPHOLDER	E27
MAX WATTAGE	40W
VOLTAGE	220/240v
IP RATING	IP20
CLASS PROTECTION	Class I
SHADE	GL096
FLEX BAR CHAIN LENGTH	100cm
CABLE TYPE	MLCA020 Black Fabric Braided Cable 3 Core Twisted

FIXING BRACKET: MLROSE05GRIP | Polished Brass

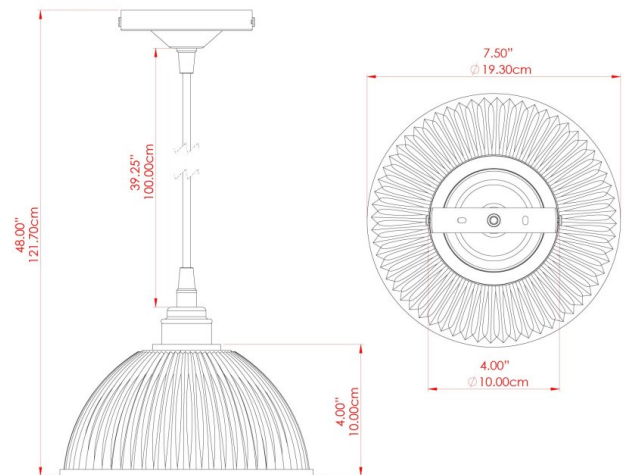


Product Notes:
 1) Bulbs not included. 2) Dimensions do not include bulbs. 3) All products are individually made-to-order and therefore may differ slightly within manufacturing tolerances. 4) Cable / chain can be shortened during installation. Longer cable / chain lengths available on request. 5) Additional colour finishes may be available on request. 6) Refer to our website for a full list of terms and conditions.



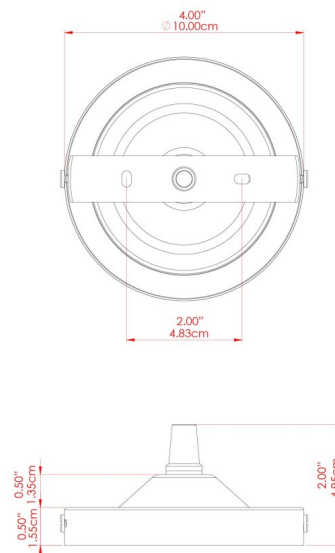
BOSTON Pendant

MLP381POLCHR Polished Chrome



MATERIAL	Brass Glass
HEIGHT	17cm
WIDTH DIAMETER	21.5cm
LENGTH PROJECTION	n/a
WEIGHT	0.89 kg
LAMPHOLDER	E27
MAX WATTAGE	40W
VOLTAGE	220/240v
IP RATING	IP20
CLASS PROTECTION	Class I
SHADE	GL096
FLEX BAR CHAIN LENGTH	100cm
CABLE TYPE	MLCA020 Black Fabric Braided Cable 3 Core Twisted

FIXING BRACKET: MLROSE05GRIP | Polished Chrome

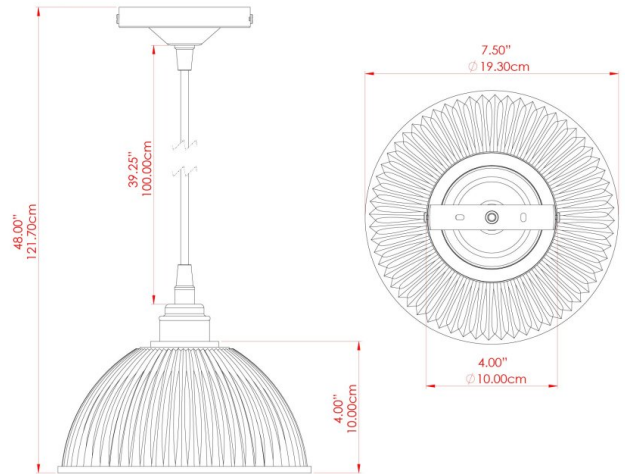


Product Notes:
 1) Bulbs not included. 2) Dimensions do not include bulbs. 3) All products are individually made-to-order and therefore may differ slightly within manufacturing tolerances. 4) Cable / chain can be shortened during installation. Longer cable / chain lengths available on request. 5) Additional colour finishes may be available on request. 6) Refer to our website for a full list of terms and conditions.



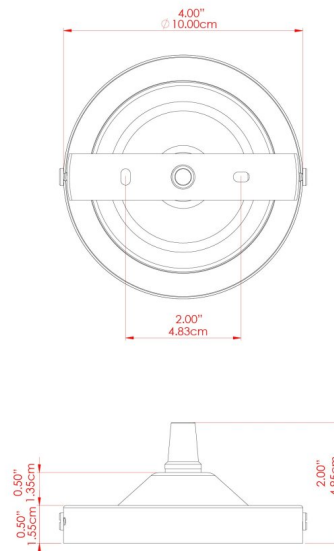
BOSTON Pendant

MLP381POLCOP Polished Copper



MATERIAL	Brass Glass
HEIGHT	17cm
WIDTH DIAMETER	21.5cm
LENGTH PROJECTION	n/a
WEIGHT	0.89 kg
LAMPHOLDER	E27
MAX WATTAGE	40W
VOLTAGE	220/240v
IP RATING	IP20
CLASS PROTECTION	Class I
SHADE	GL096
FLEX BAR CHAIN LENGTH	100cm
CABLE TYPE	MLCA020 Black Fabric Braided Cable 3 Core Twisted

FIXING BRACKET: MLROSE05GRIP | Copper

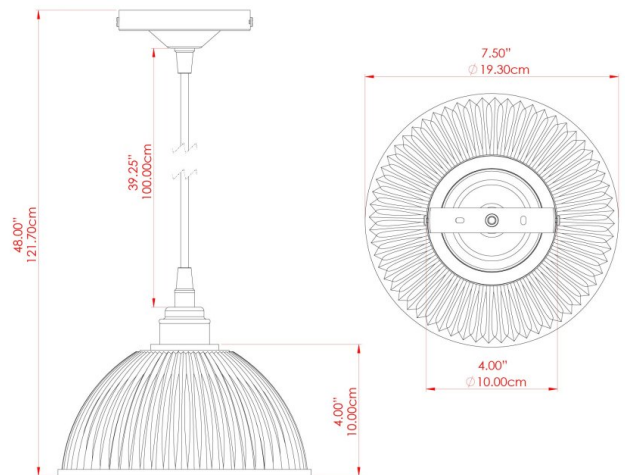


Product Notes:
 1) Bulbs not included. 2) Dimensions do not include bulbs. 3) All products are individually made-to-order and therefore may differ slightly within manufacturing tolerances. 4) Cable / chain can be shortened during installation. Longer cable / chain lengths available on request. 5) Additional colour finishes may be available on request. 6) Refer to our website for a full list of terms and conditions.



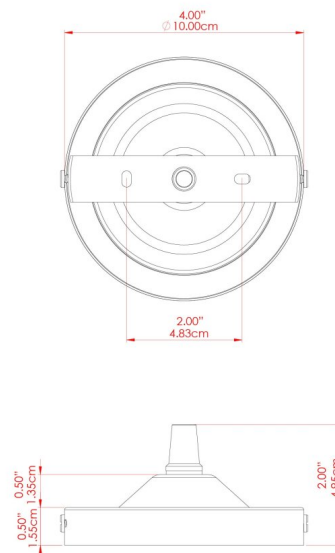
BOSTON Pendant

MLP381SATBRS Satin Brass



MATERIAL	Brass Glass
HEIGHT	17cm
WIDTH DIAMETER	21.5cm
LENGTH PROJECTION	n/a
WEIGHT	0.89 kg
LAMPHOLDER	E27
MAX WATTAGE	40W
VOLTAGE	220/240v
IP RATING	IP20
CLASS PROTECTION	Class I
SHADE	GL096
FLEX BAR CHAIN LENGTH	100cm
CABLE TYPE	MLCA020 Black Fabric Braided Cable 3 Core Twisted

FIXING BRACKET: MLROSE05GRIP | Satin Brass

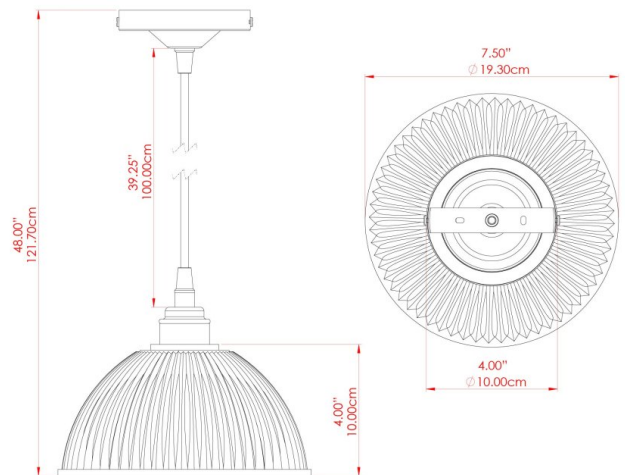


Product Notes:
 1) Bulbs not included. 2) Dimensions do not include bulbs. 3) All products are individually made-to-order and therefore may differ slightly within manufacturing tolerances. 4) Cable / chain can be shortened during installation. Longer cable / chain lengths available on request. 5) Additional colour finishes may be available on request. 6) Refer to our website for a full list of terms and conditions.



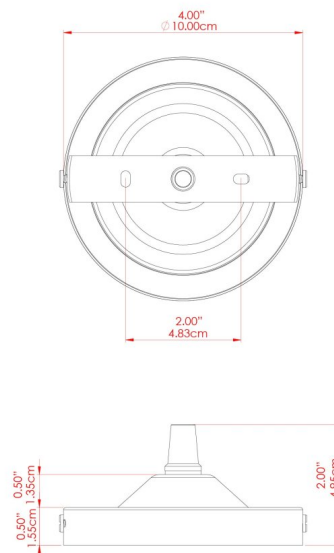
BOSTON Pendant

MLP381SATCHR Satin Chrome



MATERIAL	Brass Glass
HEIGHT	17cm
WIDTH DIAMETER	21.5cm
LENGTH PROJECTION	n/a
WEIGHT	0.89 kg
LAMPHOLDER	E27
MAX WATTAGE	40W
VOLTAGE	220/240v
IP RATING	IP20
CLASS PROTECTION	Class I
SHADE	GL096
FLEX BAR CHAIN LENGTH	100cm
CABLE TYPE	MLCA020 Black Fabric Braided Cable 3 Core Twisted

FIXING BRACKET: MLROSE05GRIP | Satin Chrome



Product Notes:
 1) Bulbs not included. 2) Dimensions do not include bulbs. 3) All products are individually made-to-order and therefore may differ slightly within manufacturing tolerances. 4) Cable / chain can be shortened during installation. Longer cable / chain lengths available on request. 5) Additional colour finishes may be available on request. 6) Refer to our website for a full list of terms and conditions.

