

MATERIAL	Brass
HEIGHT	2.5cm
WIDTH DIAMETER	12cm
LENGTH PROJECTION	n/a
WEIGHT	0.44 kg
LAMPHOLDER	
MAX WATTAGE	
VOLTAGE	220/240v
IP RATING	IP20
CLASS PROTECTION	Class I
SHADE	
FLEX BAR CHAIN LENGTH	n/a
CABLE TYPE	

FIXING BRACKET:

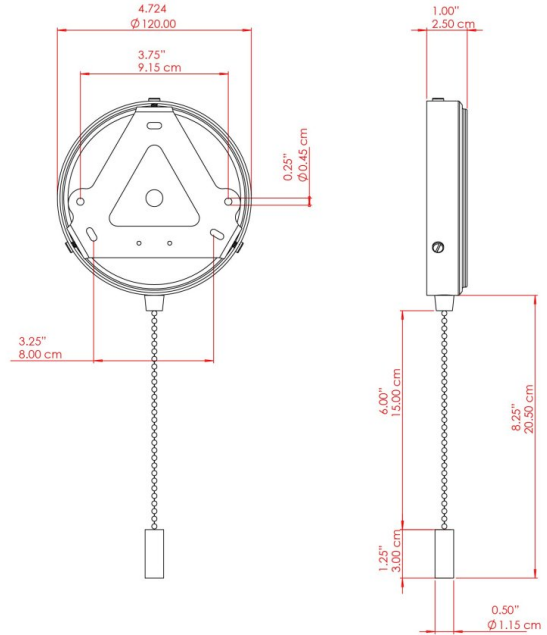


WWW.MULLANLIGHTING.COM

Product Notes:

1) Bulbs not included. 2) Dimensions do not include bulbs. 3) All products are individually made-to-order and therefore may differ slightly within manufacturing tolerances. 4) Cable / chain can be shortened during installation. Longer cable / chain lengths available on request. 5) Additional colour finishes may be available on request. 6) Refer to our website for a full list of terms and conditions.





MATERIAL	Brass
HEIGHT	2.5cm
WIDTH DIAMETER	12cm
LENGTH PROJECTION	n/a
WEIGHT	0.44 kg
LAMPHOLDER	
MAX WATTAGE	
VOLTAGE	220/240v
IP RATING	IP20
CLASS PROTECTION	Class I
SHADE	
FLEX BAR CHAIN LENGTH	n/a
CABLE TYPE	

FIXING BRACKET:

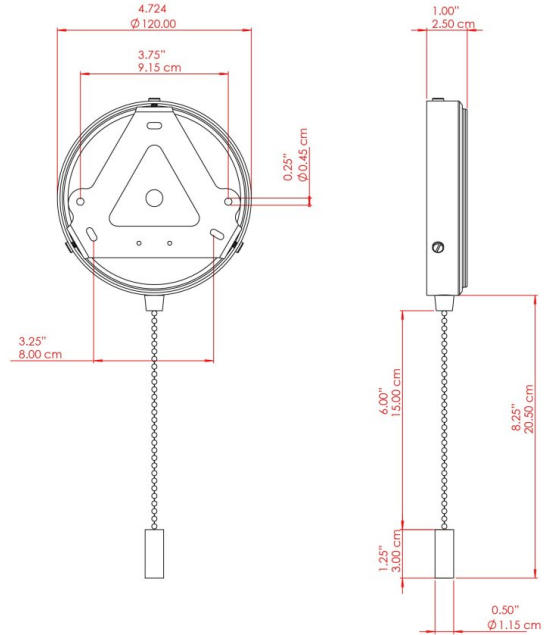


WWW.MULLANLIGHTING.COM

Product Notes:

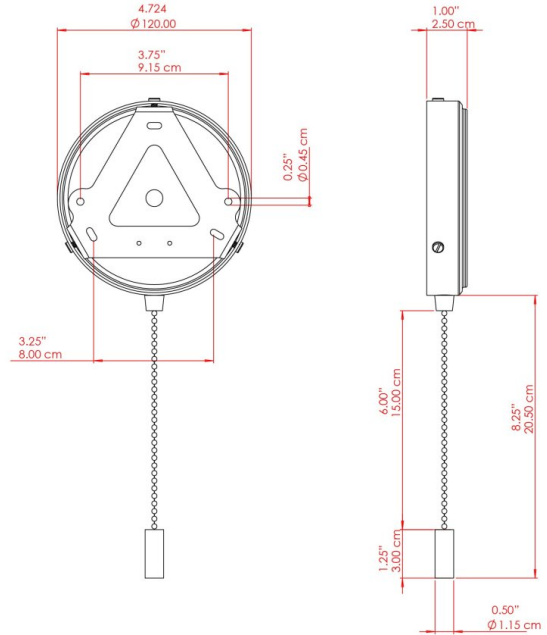
1) Bulbs not included. 2) Dimensions do not include bulbs. 3) All products are individually made-to-order and therefore may differ slightly within manufacturing tolerances. 4) Cable / chain can be shortened during installation. Longer cable / chain lengths available on request. 5) Additional colour finishes may be available on request. 6) Refer to our website for a full list of terms and conditions.





MATERIAL	Brass
HEIGHT	2.5cm
WIDTH DIAMETER	12cm
LENGTH PROJECTION	n/a
WEIGHT	0.44 kg
LAMPHOLDER	
MAX WATTAGE	
VOLTAGE	220/240v
IP RATING	IP20
CLASS PROTECTION	Class I
SHADE	
FLEX BAR CHAIN LENGTH	n/a
CABLE TYPE	

FIXING BRACKET:



MATERIAL	Brass
HEIGHT	2.5cm
WIDTH DIAMETER	12cm
LENGTH PROJECTION	n/a
WEIGHT	0.44 kg
LAMPHOLDER	
MAX WATTAGE	
VOLTAGE	220/240v
IP RATING	IP20
CLASS PROTECTION	Class I
SHADE	
FLEX BAR CHAIN LENGTH	n/a
CABLE TYPE	

FIXING BRACKET:

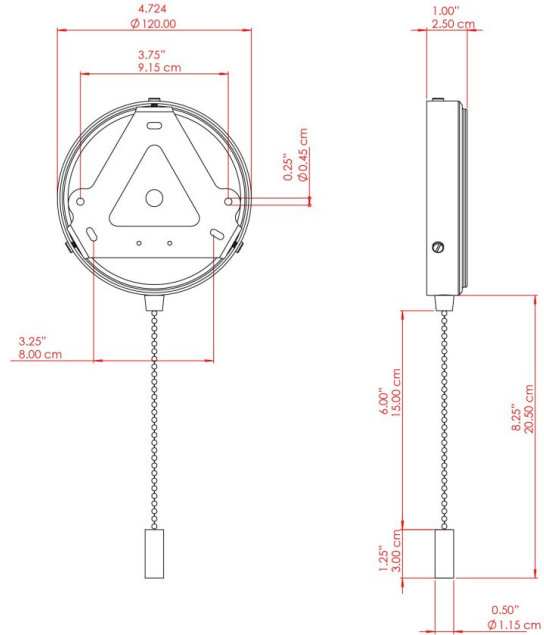


WWW.MULLANLIGHTING.COM

Product Notes:

1) Bulbs not included. 2) Dimensions do not include bulbs. 3) All products are individually made-to-order and therefore may differ slightly within manufacturing tolerances. 4) Cable / chain can be shortened during installation. Longer cable / chain lengths available on request. 5) Additional colour finishes may be available on request. 6) Refer to our website for a full list of terms and conditions.





MATERIAL	Brass
HEIGHT	2.5cm
WIDTH DIAMETER	12cm
LENGTH PROJECTION	n/a
WEIGHT	0.44 kg
LAMPHOLDER	
MAX WATTAGE	
VOLTAGE	220/240v
IP RATING	IP20
CLASS PROTECTION	Class I
SHADE	
FLEX BAR CHAIN LENGTH	n/a
CABLE TYPE	

FIXING BRACKET:

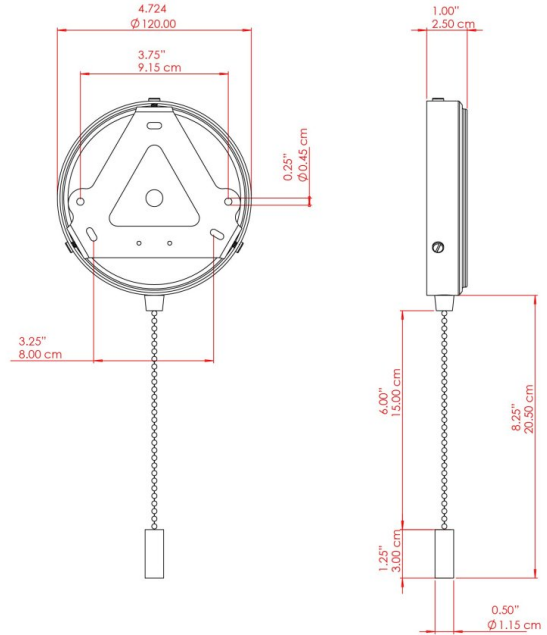


WWW.MULLANLIGHTING.COM

Product Notes:

1) Bulbs not included. 2) Dimensions do not include bulbs. 3) All products are individually made-to-order and therefore may differ slightly within manufacturing tolerances. 4) Cable / chain can be shortened during installation. Longer cable / chain lengths available on request. 5) Additional colour finishes may be available on request. 6) Refer to our website for a full list of terms and conditions.





MATERIAL	Brass
HEIGHT	2.5cm
WIDTH DIAMETER	12cm
LENGTH PROJECTION	n/a
WEIGHT	0.44 kg
LAMPHOLDER	
MAX WATTAGE	
VOLTAGE	220/240v
IP RATING	IP20
CLASS PROTECTION	Class I
SHADE	
FLEX BAR CHAIN LENGTH	n/a
CABLE TYPE	

FIXING BRACKET:

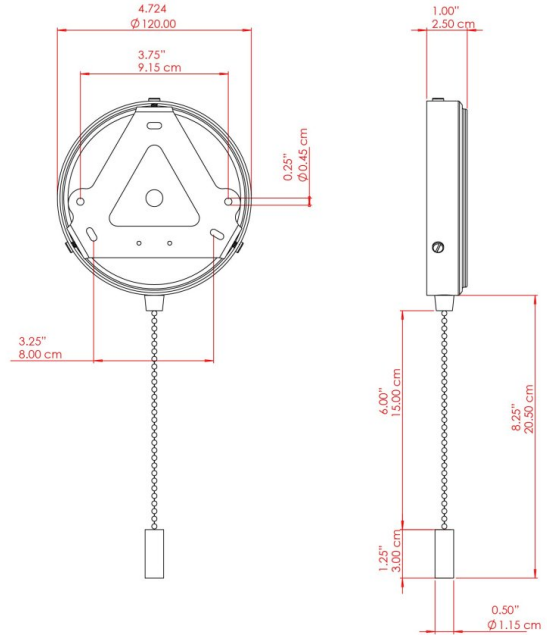


WWW.MULLANLIGHTING.COM

Product Notes:

1) Bulbs not included. 2) Dimensions do not include bulbs. 3) All products are individually made-to-order and therefore may differ slightly within manufacturing tolerances. 4) Cable / chain can be shortened during installation. Longer cable / chain lengths available on request. 5) Additional colour finishes may be available on request. 6) Refer to our website for a full list of terms and conditions.





MATERIAL	Brass
HEIGHT	2.5cm
WIDTH DIAMETER	12cm
LENGTH PROJECTION	n/a
WEIGHT	0.44 kg
LAMPHOLDER	
MAX WATTAGE	
VOLTAGE	220/240v
IP RATING	IP20
CLASS PROTECTION	Class I
SHADE	
FLEX BAR CHAIN LENGTH	n/a
CABLE TYPE	

FIXING BRACKET:

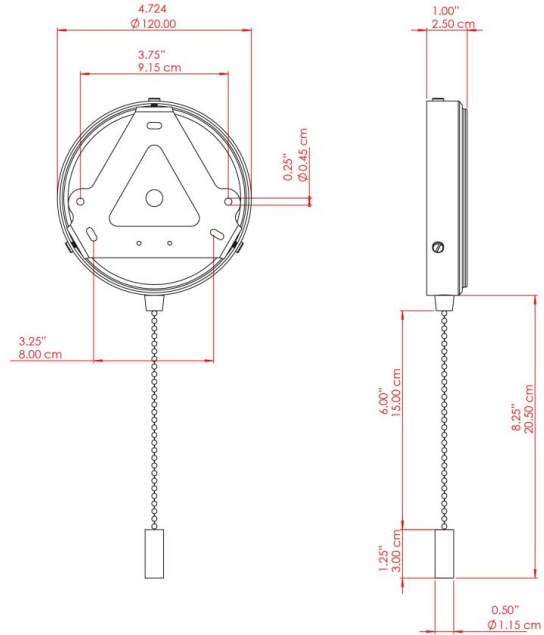


WWW.MULLANLIGHTING.COM

Product Notes:

1) Bulbs not included. 2) Dimensions do not include bulbs. 3) All products are individually made-to-order and therefore may differ slightly within manufacturing tolerances. 4) Cable / chain can be shortened during installation. Longer cable / chain lengths available on request. 5) Additional colour finishes may be available on request. 6) Refer to our website for a full list of terms and conditions.





MATERIAL	Brass
HEIGHT	2.5cm
WIDTH DIAMETER	12cm
LENGTH PROJECTION	n/a
WEIGHT	0.44 kg
LAMPHOLDER	
MAX WATTAGE	
VOLTAGE	220/240v
IP RATING	IP20
CLASS PROTECTION	Class I
SHADE	
FLEX BAR CHAIN LENGTH	n/a
CABLE TYPE	

FIXING BRACKET:

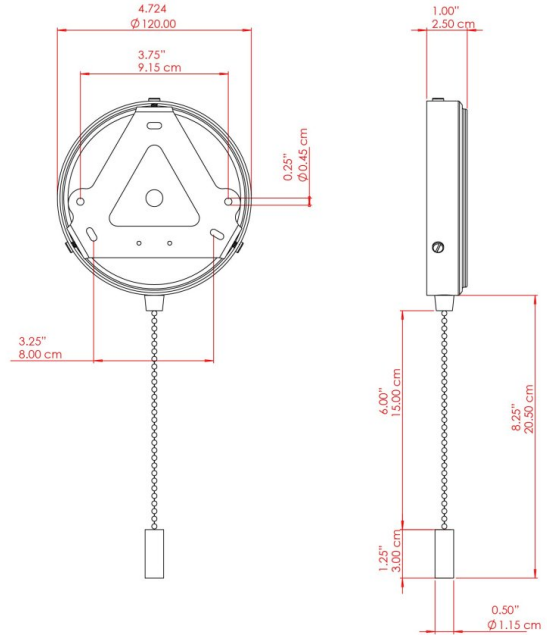


WWW.MULLANLIGHTING.COM

Product Notes:

1) Bulbs not included. 2) Dimensions do not include bulbs. 3) All products are individually made-to-order and therefore may differ slightly within manufacturing tolerances. 4) Cable / chain can be shortened during installation. Longer cable / chain lengths available on request. 5) Additional colour finishes may be available on request. 6) Refer to our website for a full list of terms and conditions.





MATERIAL	Brass
HEIGHT	2.5cm
WIDTH DIAMETER	12cm
LENGTH PROJECTION	n/a
WEIGHT	0.44 kg
LAMPHOLDER	
MAX WATTAGE	
VOLTAGE	220/240v
IP RATING	IP20
CLASS PROTECTION	Class I
SHADE	
FLEX BAR CHAIN LENGTH	n/a
CABLE TYPE	

FIXING BRACKET:

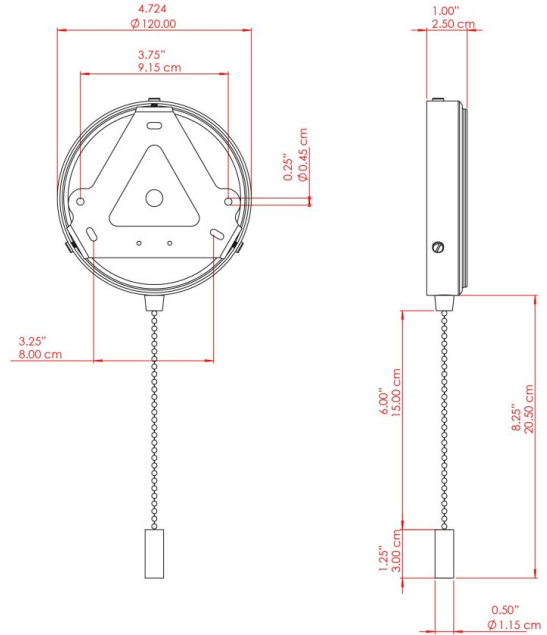


WWW.MULLANLIGHTING.COM

Product Notes:

1) Bulbs not included. 2) Dimensions do not include bulbs. 3) All products are individually made-to-order and therefore may differ slightly within manufacturing tolerances. 4) Cable / chain can be shortened during installation. Longer cable / chain lengths available on request. 5) Additional colour finishes may be available on request. 6) Refer to our website for a full list of terms and conditions.





MATERIAL	Brass
HEIGHT	2.5cm
WIDTH DIAMETER	12cm
LENGTH PROJECTION	n/a
WEIGHT	0.44 kg
LAMPHOLDER	
MAX WATTAGE	
VOLTAGE	220/240v
IP RATING	IP20
CLASS PROTECTION	Class I
SHADE	
FLEX BAR CHAIN LENGTH	n/a
CABLE TYPE	

FIXING BRACKET:



WWW.MULLANLIGHTING.COM

Product Notes:

1) Bulbs not included. 2) Dimensions do not include bulbs. 3) All products are individually made-to-order and therefore may differ slightly within manufacturing tolerances. 4) Cable / chain can be shortened during installation. Longer cable / chain lengths available on request. 5) Additional colour finishes may be available on request. 6) Refer to our website for a full list of terms and conditions.

