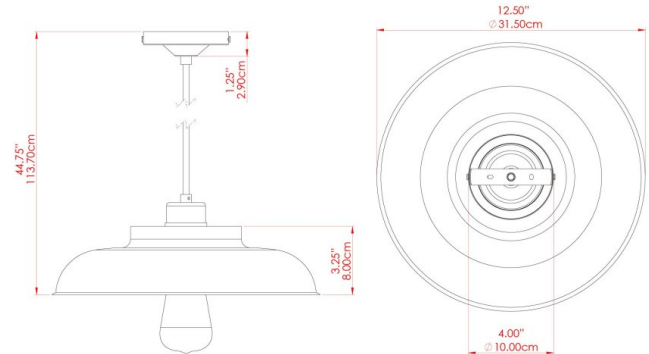


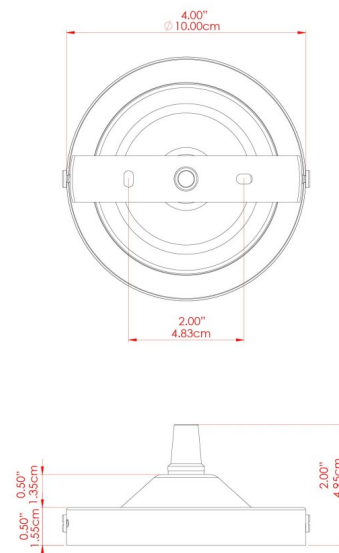
TELAL Pendant

MLP193ANTBRS Antique Brass



MATERIAL	Brass
HEIGHT	17cm
WIDTH DIAMETER	32cm
LENGTH PROJECTION	n/a
WEIGHT	0.72 kg
LAMPHOLDER	E27
MAX WATTAGE	40W
VOLTAGE	220/240v
IP RATING	IP20
CLASS PROTECTION	Class I
SHADE	-
FLEX BAR CHAIN LENGTH	100cm
CABLE TYPE	MLCA002 Brown Fabric Braided Cable 2 Core Twisted

FIXING BRACKET: MLROSE05GRIP | Antique Brass

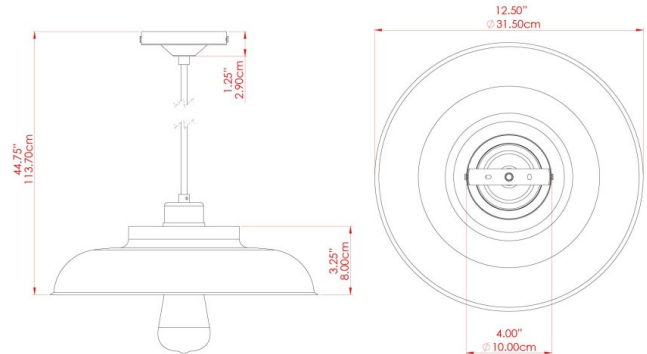


Product Notes:
 1) Bulbs not included. 2) Dimensions do not include bulbs. 3) All products are individually made-to-order and therefore may differ slightly within manufacturing tolerances. 4) Cable / chain can be shortened during installation. Longer cable / chain lengths available on request. 5) Additional colour finishes may be available on request. 6) Refer to our website for a full list of terms and conditions.



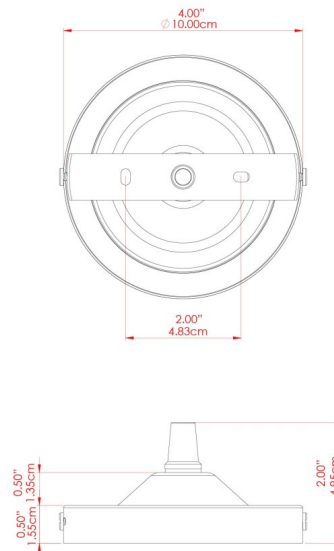
TELAL Pendant

MLP193ANTSLV Antique Silver



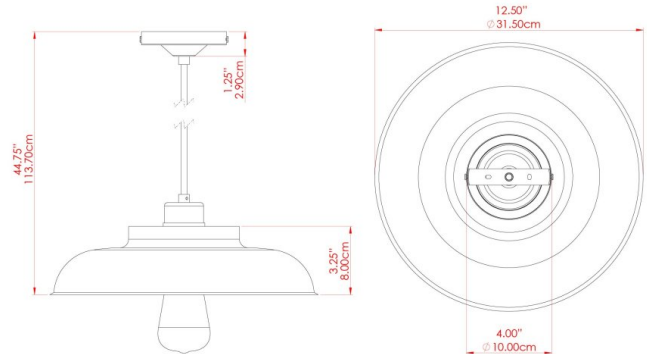
MATERIAL	Brass
HEIGHT	17cm
WIDTH DIAMETER	32cm
LENGTH PROJECTION	n/a
WEIGHT	0.72 kg
LAMPHOLDER	E27
MAX WATTAGE	40W
VOLTAGE	220/240v
IP RATING	IP20
CLASS PROTECTION	Class I
SHADE	-
FLEX BAR CHAIN LENGTH	100cm
CABLE TYPE	MLCA001 Black Fabric Braided Cable 2 Core Twisted

FIXING BRACKET: MLROSE05GRIP | Antique Silver



Product Notes:
 1) Bulbs not included. 2) Dimensions do not include bulbs. 3) All products are individually made-to-order and therefore may differ slightly within manufacturing tolerances. 4) Cable / chain can be shortened during installation. Longer cable / chain lengths available on request. 5) Additional colour finishes may be available on request. 6) Refer to our website for a full list of terms and conditions.





MATERIAL	Brass Aluminium
HEIGHT	17cm
WIDTH DIAMETER	32cm
LENGTH PROJECTION	n/a
WEIGHT	0.72 kg
LAMPHOLDER	E27
MAX WATTAGE	40W
VOLTAGE	220/240v
IP RATING	IP20
CLASS PROTECTION	Class I
SHADE	
FLEX BAR CHAIN LENGTH	100cm
CABLE TYPE	MLCA001 Black Fabric Braided Cable 2 Core Twisted

FIXING BRACKET: MLROSE05 | Matt Black



WWW.MULLANLIGHTING.COM

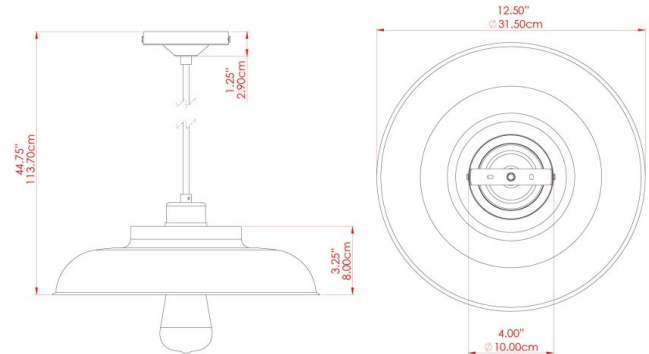
Product Notes:

1) Bulbs not included. 2) Dimensions do not include bulbs. 3) All products are individually made-to-order and therefore may differ slightly within manufacturing tolerances. 4) Cable / chain can be shortened during installation. Longer cable / chain lengths available on request. 5) Additional colour finishes may be available on request. 6) Refer to our website for a full list of terms and conditions.



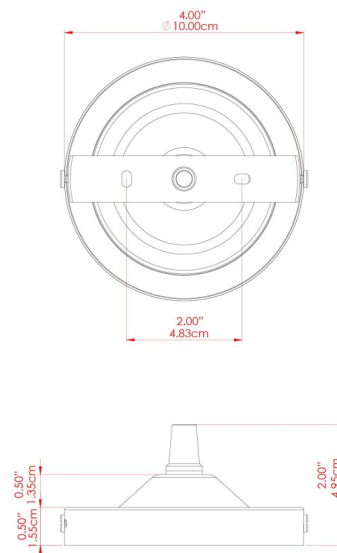
TELAL Pendant

MLP193POLBRS Polished Brass



MATERIAL	Brass
HEIGHT	17cm
WIDTH DIAMETER	32cm
LENGTH PROJECTION	n/a
WEIGHT	0.72 kg
LAMPHOLDER	E27
MAX WATTAGE	40W
VOLTAGE	220/240v
IP RATING	IP20
CLASS PROTECTION	Class I
SHADE	-
FLEX BAR CHAIN LENGTH	100cm
CABLE TYPE	MLCA001 Black Fabric Braided Cable 2 Core Twisted

FIXING BRACKET: MLROSE05GRIP | Polished Brass

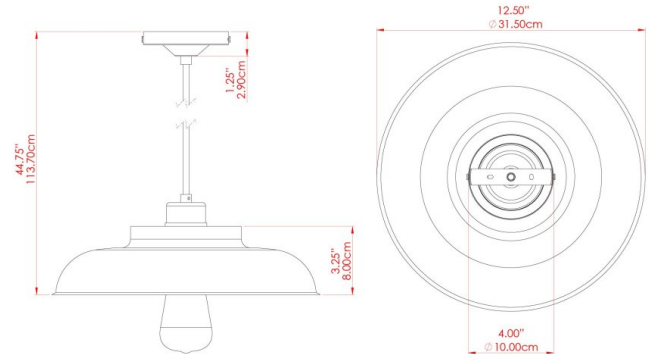


Product Notes:
 1) Bulbs not included. 2) Dimensions do not include bulbs. 3) All products are individually made-to-order and therefore may differ slightly within manufacturing tolerances. 4) Cable / chain can be shortened during installation. Longer cable / chain lengths available on request. 5) Additional colour finishes may be available on request. 6) Refer to our website for a full list of terms and conditions.



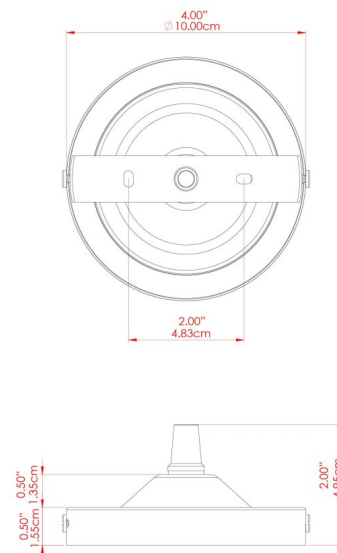
TELAL Pendant

MLP193SATBRS Satin Brass



MATERIAL	Brass
HEIGHT	17cm
WIDTH DIAMETER	32cm
LENGTH PROJECTION	n/a
WEIGHT	0.72 kg
LAMPHOLDER	E27
MAX WATTAGE	40W
VOLTAGE	220/240v
IP RATING	IP20
CLASS PROTECTION	Class I
SHADE	-
FLEX BAR CHAIN LENGTH	100cm
CABLE TYPE	MLCA001 Black Fabric Braided Cable 2 Core Twisted

FIXING BRACKET: MLROSE05GRIP | Satin Brass



Product Notes:
 1) Bulbs not included. 2) Dimensions do not include bulbs. 3) All products are individually made-to-order and therefore may differ slightly within manufacturing tolerances. 4) Cable / chain can be shortened during installation. Longer cable / chain lengths available on request. 5) Additional colour finishes may be available on request. 6) Refer to our website for a full list of terms and conditions.

