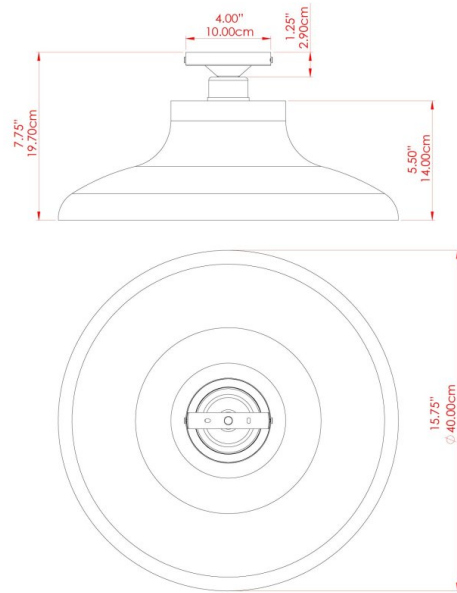


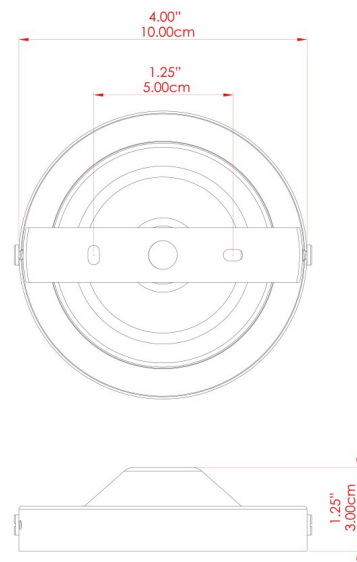
# MONO 40CM Ceiling Light

## MLCF39ANTBRS Antique Brass



MATERIAL	Brass   Glass
HEIGHT	22cm
WIDTH   DIAMETER	40cm
LENGTH   PROJECTION	n/a
WEIGHT	2.2 kg
LAMPHOLDER	E27
MAX WATTAGE	40W
VOLTAGE	220/240v
IP RATING	IP20
CLASS PROTECTION	Class I
SHADE	GL089
FLEX   BAR   CHAIN LENGTH	n/a
CABLE TYPE	-

### FIXING BRACKET: MLWB02 | Antique Brass



WWW.MULLANLIGHTING.COM

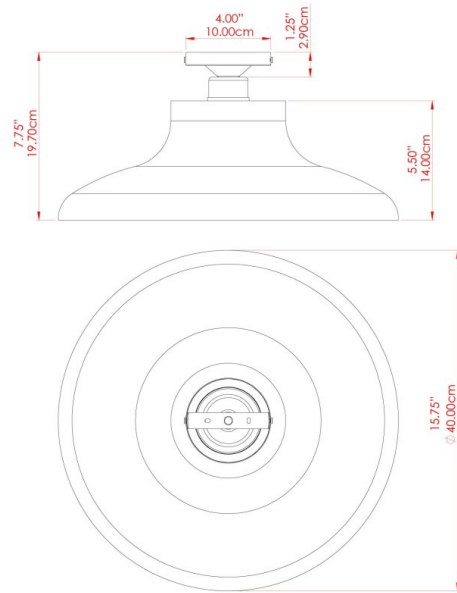
#### Product Notes:

1) Bulbs not included. 2) Dimensions do not include bulbs. 3) All products are individually made-to-order and therefore may differ slightly within manufacturing tolerances. 4) Cable / chain can be shortened during installation. Longer cable / chain lengths available on request. 5) Additional colour finishes may be available on request. 6) Refer to our website for a full list of terms and conditions.



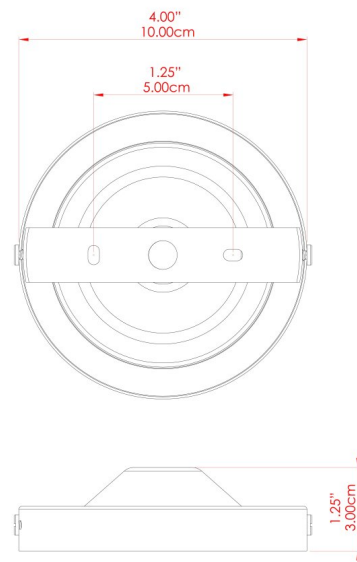
# MONO 40CM Ceiling Light

# MLCF39ANTSLV Antique Silver



MATERIAL	Brass   Glass
HEIGHT	22cm
WIDTH   DIAMETER	40cm
LENGTH   PROJECTION	n/a
WEIGHT	2.2 kg
LAMPHOLDER	E27
MAX WATTAGE	40W
VOLTAGE	220/240v
IP RATING	IP20
CLASS PROTECTION	Class I
SHADE	GL089
FLEX   BAR   CHAIN LENGTH	n/a
CABLE TYPE	-

### FIXING BRACKET: MLWB02 | Antique Silver

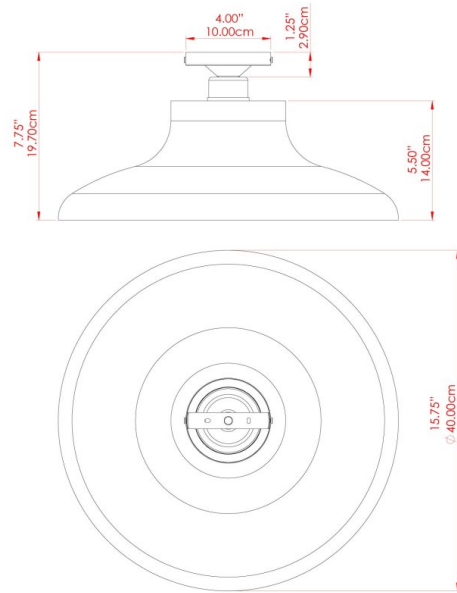


Product Notes:  
 1) Bulbs not included. 2) Dimensions do not include bulbs. 3) All products are individually made-to-order and therefore may differ slightly within manufacturing tolerances. 4) Cable / chain can be shortened during installation. Longer cable / chain lengths available on request. 5) Additional colour finishes may be available on request. 6) Refer to our website for a full list of terms and conditions.



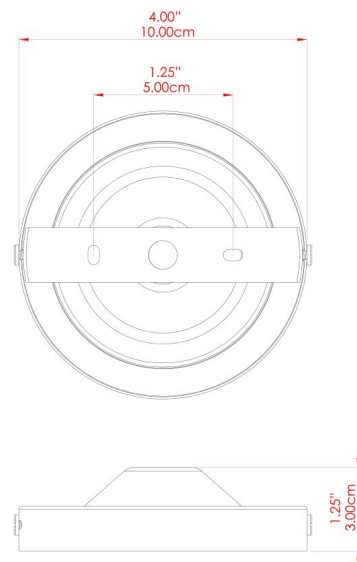
# MONO 40CM Ceiling Light

MLCF39POLBRS Polished Brass



MATERIAL	Brass   Glass
HEIGHT	22cm
WIDTH   DIAMETER	40cm
LENGTH   PROJECTION	n/a
WEIGHT	2.2 kg
LAMPHOLDER	E27
MAX WATTAGE	40W
VOLTAGE	220/240v
IP RATING	IP20
CLASS PROTECTION	Class I
SHADE	GL089
FLEX   BAR   CHAIN LENGTH	n/a
CABLE TYPE	-

FIXING BRACKET: MLWB02 | Polished Brass

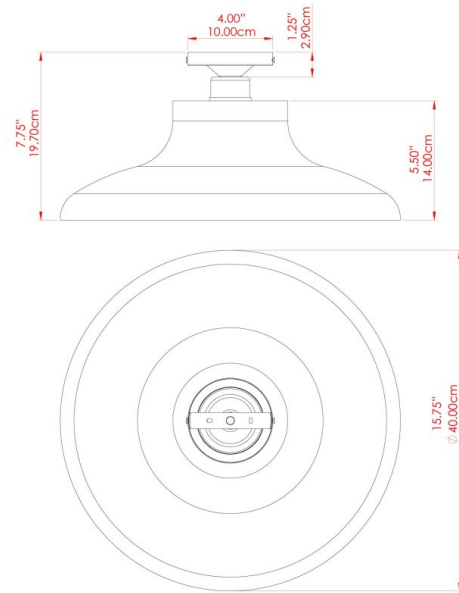


Product Notes:  
 1) Bulbs not included. 2) Dimensions do not include bulbs. 3) All products are individually made-to-order and therefore may differ slightly within manufacturing tolerances. 4) Cable / chain can be shortened during installation. Longer cable / chain lengths available on request. 5) Additional colour finishes may be available on request. 6) Refer to our website for a full list of terms and conditions.



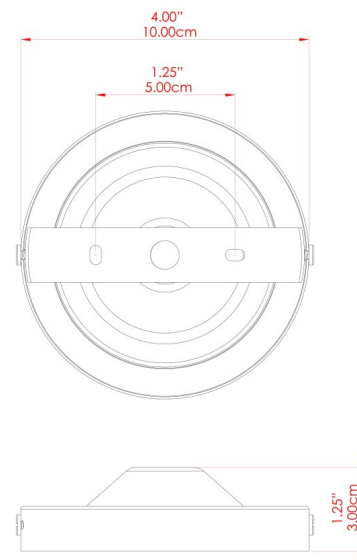
# MONO 40CM Ceiling Light

# MLCF39POLCHR Polished Chrome



MATERIAL	Brass   Glass
HEIGHT	22cm
WIDTH   DIAMETER	40cm
LENGTH   PROJECTION	n/a
WEIGHT	2.2 kg
LAMPHOLDER	E27
MAX WATTAGE	40W
VOLTAGE	220/240v
IP RATING	IP20
CLASS PROTECTION	Class I
SHADE	GL089
FLEX   BAR   CHAIN LENGTH	n/a
CABLE TYPE	-

## FIXING BRACKET: MLWB02 | Polished Chrome

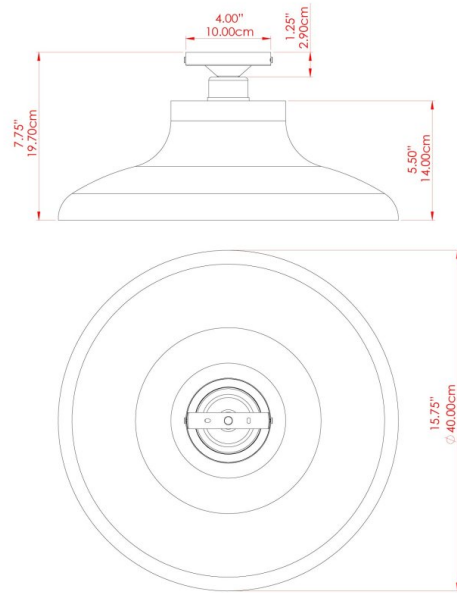


Product Notes:  
 1) Bulbs not included. 2) Dimensions do not include bulbs. 3) All products are individually made-to-order and therefore may differ slightly within manufacturing tolerances. 4) Cable / chain can be shortened during installation. Longer cable / chain lengths available on request. 5) Additional colour finishes may be available on request. 6) Refer to our website for a full list of terms and conditions.



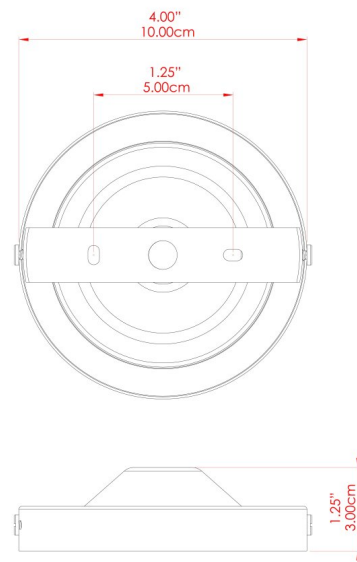
# MONO 40CM Ceiling Light

MLCF39POLCOP Polished Copper



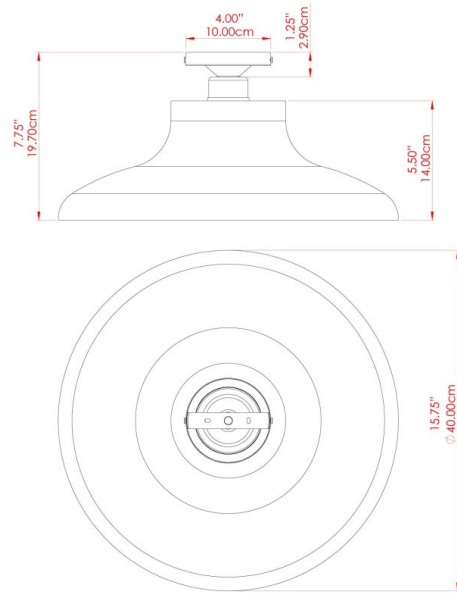
MATERIAL	Brass   Copper   Glass
HEIGHT	22cm
WIDTH   DIAMETER	40cm
LENGTH   PROJECTION	n/a
WEIGHT	2.2 kg
LAMPHOLDER	E27
MAX WATTAGE	40W
VOLTAGE	220/240v
IP RATING	IP20
CLASS PROTECTION	Class I
SHADE	GL089
FLEX   BAR   CHAIN LENGTH	n/a
CABLE TYPE	-

FIXING BRACKET: MLWB02 | Copper



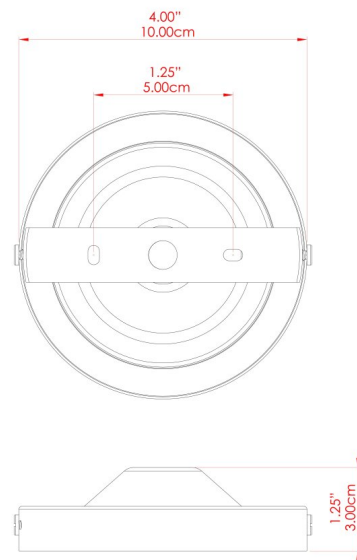
# MONO 40CM Ceiling Light

MLCF39SATBRS Satin Brass



MATERIAL	Brass   Glass
HEIGHT	22cm
WIDTH   DIAMETER	40cm
LENGTH   PROJECTION	n/a
WEIGHT	2.2 kg
LAMPHOLDER	E27
MAX WATTAGE	40W
VOLTAGE	220/240v
IP RATING	IP20
CLASS PROTECTION	Class I
SHADE	GL089
FLEX   BAR   CHAIN LENGTH	n/a
CABLE TYPE	-

FIXING BRACKET: MLWB02 | Satin Brass

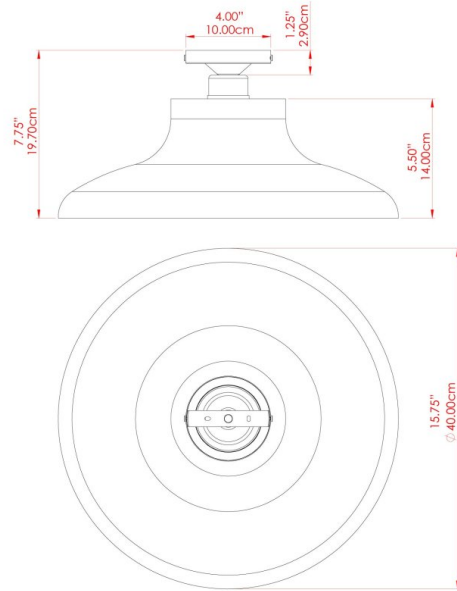


Product Notes:  
 1) Bulbs not included. 2) Dimensions do not include bulbs. 3) All products are individually made-to-order and therefore may differ slightly within manufacturing tolerances. 4) Cable / chain can be shortened during installation. Longer cable / chain lengths available on request. 5) Additional colour finishes may be available on request. 6) Refer to our website for a full list of terms and conditions.



# MONO 40CM Ceiling Light

# MLCF39SATCHR Satin Chrome



MATERIAL	Brass   Glass
HEIGHT	22cm
WIDTH   DIAMETER	40cm
LENGTH   PROJECTION	n/a
WEIGHT	2.2 kg
LAMPHOLDER	E27
MAX WATTAGE	40W
VOLTAGE	220/240v
IP RATING	IP20
CLASS PROTECTION	Class I
SHADE	GL089
FLEX   BAR   CHAIN LENGTH	n/a
CABLE TYPE	-

### FIXING BRACKET: MLWB02 | Satin Chrome

