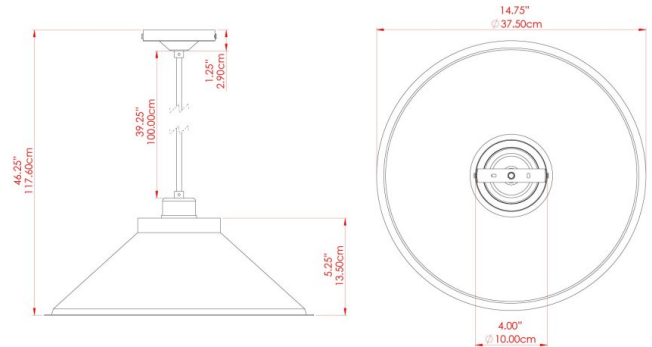


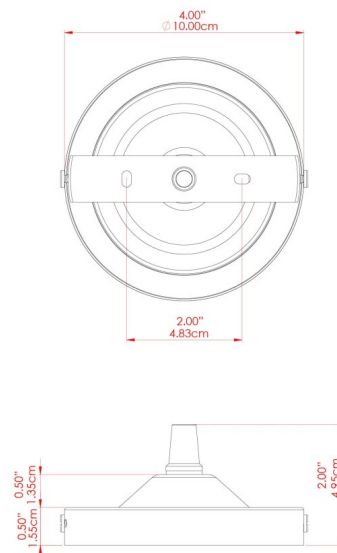
RIO Pendant

MLP417ANTBRS Antique Brass



MATERIAL	Brass
HEIGHT	22cm
WIDTH DIAMETER	38cm
LENGTH PROJECTION	n/a
WEIGHT	0.8 kg
LAMPHOLDER	E27
MAX WATTAGE	40W
VOLTAGE	220/240v
IP RATING	IP20
CLASS PROTECTION	Class I
SHADE	-
FLEX BAR CHAIN LENGTH	100cm
CABLE TYPE	MLCA007 Brown Fabric Braided Cable 3 Core Twisted

FIXING BRACKET: MLROSE05GRIP | Antique Brass

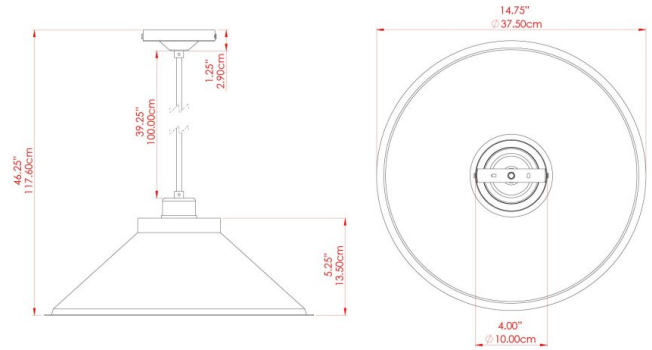


Product Notes:
 1) Bulbs not included. 2) Dimensions do not include bulbs. 3) All products are individually made-to-order and therefore may differ slightly within manufacturing tolerances. 4) Cable / chain can be shortened during installation. Longer cable / chain lengths available on request. 5) Additional colour finishes may be available on request. 6) Refer to our website for a full list of terms and conditions.



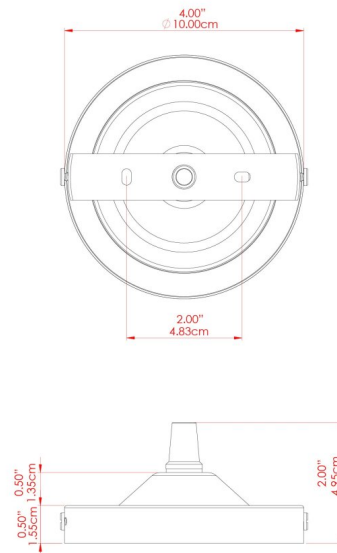
RIO Pendant

MLP417ANTSLV Antique Silver



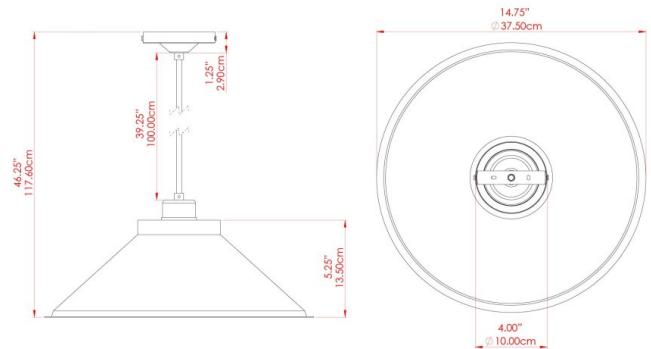
MATERIAL	Brass
HEIGHT	22cm
WIDTH DIAMETER	38cm
LENGTH PROJECTION	n/a
WEIGHT	0.8 kg
LAMPHOLDER	E27
MAX WATTAGE	40W
VOLTAGE	220/240v
IP RATING	IP20
CLASS PROTECTION	Class I
SHADE	-
FLEX BAR CHAIN LENGTH	100cm
CABLE TYPE	MLCA020 Black Fabric Braided Cable 3 Core Twisted

FIXING BRACKET: MLROSE05GRIP | Antique Silver



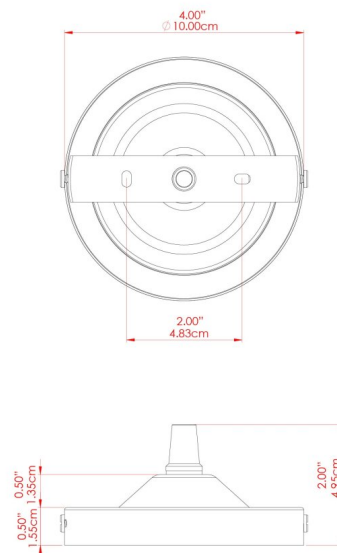
Product Notes:
 1) Bulbs not included. 2) Dimensions do not include bulbs. 3) All products are individually made-to-order and therefore may differ slightly within manufacturing tolerances. 4) Cable / chain can be shortened during installation. Longer cable / chain lengths available on request. 5) Additional colour finishes may be available on request. 6) Refer to our website for a full list of terms and conditions.

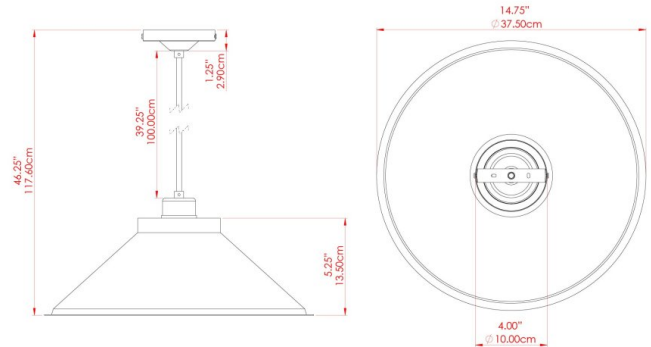




MATERIAL	Brass
HEIGHT	22cm
WIDTH DIAMETER	38cm
LENGTH PROJECTION	n/a
WEIGHT	0.8 kg
LAMPHOLDER	E27
MAX WATTAGE	40W
VOLTAGE	220/240v
IP RATING	IP20
CLASS PROTECTION	Class I
SHADE	-
FLEX BAR CHAIN LENGTH	100cm
CABLE TYPE	MLCA020 Black Fabric Braided Cable 3 Core Twisted

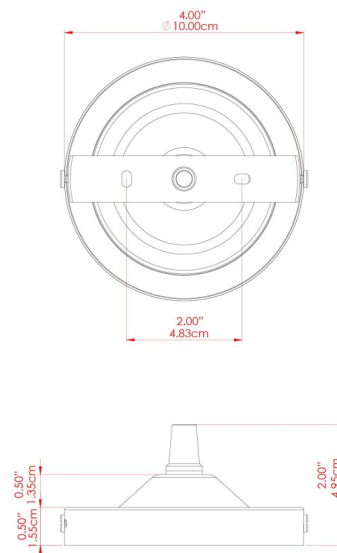
FIXING BRACKET: MLROSE05GRIP | Natural Brass





MATERIAL	Brass Aluminium
HEIGHT	22cm
WIDTH DIAMETER	38cm
LENGTH PROJECTION	n/a
WEIGHT	0.8 kg
LAMPHOLDER	E27
MAX WATTAGE	40W
VOLTAGE	220/240v
IP RATING	IP20
CLASS PROTECTION	Class I
SHADE	
FLEX BAR CHAIN LENGTH	100cm
CABLE TYPE	MLCA020 Black Fabric Braided Cable 3 Core Twisted

FIXING BRACKET: MLROSE05GRIP | Matt Black

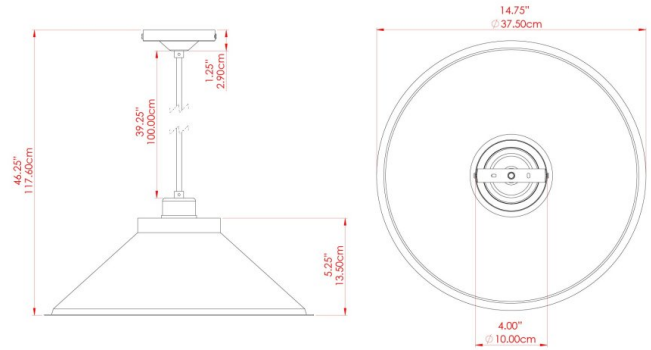


Product Notes:
 1) Bulbs not included. 2) Dimensions do not include bulbs. 3) All products are individually made-to-order and therefore may differ slightly within manufacturing tolerances. 4) Cable / chain can be shortened during installation. Longer cable / chain lengths available on request. 5) Additional colour finishes may be available on request. 6) Refer to our website for a full list of terms and conditions.



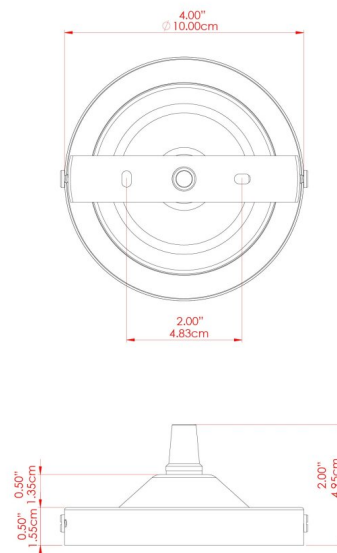
RIO Pendant

MLP417POLBRS Polished Brass



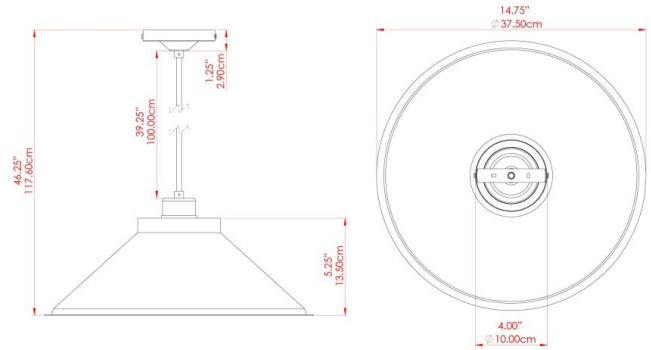
MATERIAL	Brass
HEIGHT	22cm
WIDTH DIAMETER	38cm
LENGTH PROJECTION	n/a
WEIGHT	0.8 kg
LAMPHOLDER	E27
MAX WATTAGE	40W
VOLTAGE	220/240v
IP RATING	IP20
CLASS PROTECTION	Class I
SHADE	-
FLEX BAR CHAIN LENGTH	100cm
CABLE TYPE	MLCA020 Black Fabric Braided Cable 3 Core Twisted

FIXING BRACKET: MLROSE05GRIP | Polished Brass



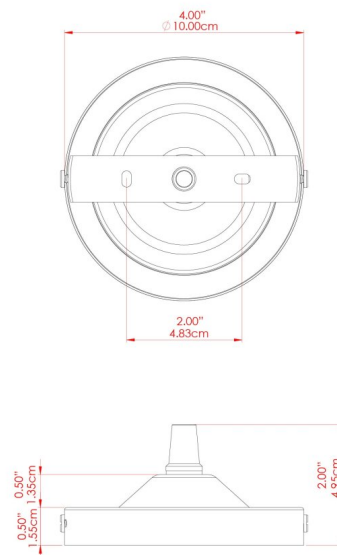
RIO Pendant

MLP417SATBRS Satin Brass



MATERIAL	Brass
HEIGHT	22cm
WIDTH DIAMETER	38cm
LENGTH PROJECTION	n/a
WEIGHT	0.8 kg
LAMPHOLDER	E27
MAX WATTAGE	40W
VOLTAGE	220/240v
IP RATING	IP20
CLASS PROTECTION	Class I
SHADE	-
FLEX BAR CHAIN LENGTH	100cm
CABLE TYPE	MLCA020 Black Fabric Braided Cable 3 Core Twisted

FIXING BRACKET: MLROSE05GRIP | Satin Brass



WWW.MULLANLIGHTING.COM

Product Notes:

1) Bulbs not included. 2) Dimensions do not include bulbs. 3) All products are individually made-to-order and therefore may differ slightly within manufacturing tolerances. 4) Cable / chain can be shortened during installation. Longer cable / chain lengths available on request. 5) Additional colour finishes may be available on request. 6) Refer to our website for a full list of terms and conditions.

