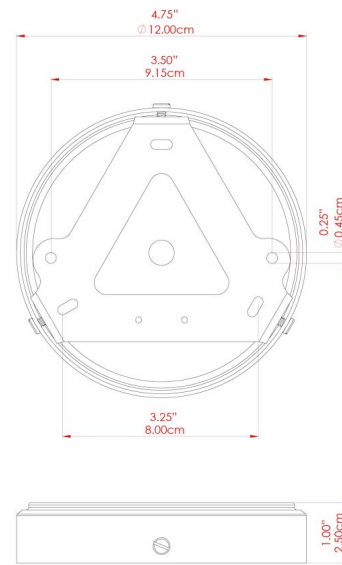


MATERIAL	Brass
HEIGHT	28cm
WIDTH   DIAMETER	30cm
LENGTH   PROJECTION	n/a
WEIGHT	2.4 kg
LAMPHOLDER	E27
MAX WATTAGE	40W
VOLTAGE	220/240v
IP RATING	IP20
CLASS PROTECTION	Class I
SHADE	MLL0144
FLEX   BAR   CHAIN LENGTH	100cm
CABLE TYPE	MLCA010   Brown PVC Flexible Cable   2 Core

### FIXING BRACKET: MLROSE39

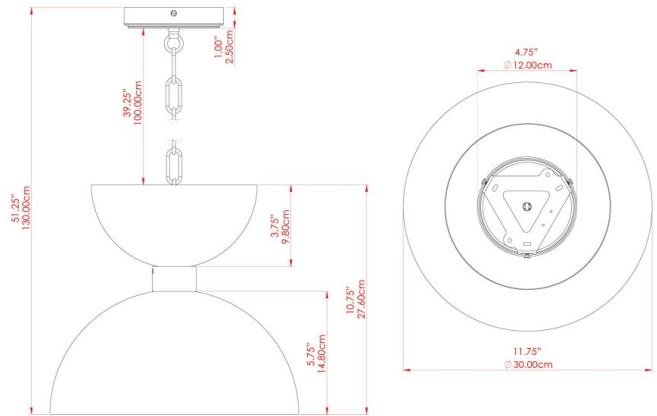


Product Notes:  
 1) Bulbs not included. 2) Dimensions do not include bulbs. 3) All products are individually made-to-order and therefore may differ slightly within manufacturing tolerances. 4) Cable / chain can be shortened during installation. Longer cable / chain lengths available on request. 5) Additional colour finishes may be available on request. 6) Refer to our website for a full list of terms and conditions.



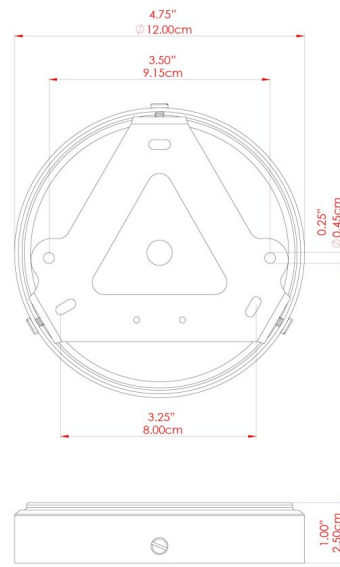
# DALLAS Pendant

# MLP509ANTSLV Antique Silver



MATERIAL	Brass
HEIGHT	28cm
WIDTH   DIAMETER	30cm
LENGTH   PROJECTION	n/a
WEIGHT	2.4 kg
LAMPHOLDER	E27
MAX WATTAGE	40W
VOLTAGE	220/240v
IP RATING	IP20
CLASS PROTECTION	Class I
SHADE	MLL0144
FLEX   BAR   CHAIN LENGTH	100cm
CABLE TYPE	MLCA014   Clear PVC Flexible Cable   2 Core

### FIXING BRACKET: MLROSE39

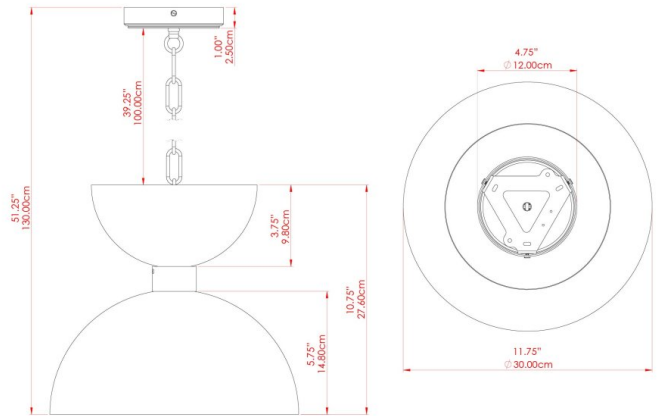


Product Notes:  
 1) Bulbs not included. 2) Dimensions do not include bulbs. 3) All products are individually made-to-order and therefore may differ slightly within manufacturing tolerances. 4) Cable / chain can be shortened during installation. Longer cable / chain lengths available on request. 5) Additional colour finishes may be available on request. 6) Refer to our website for a full list of terms and conditions.



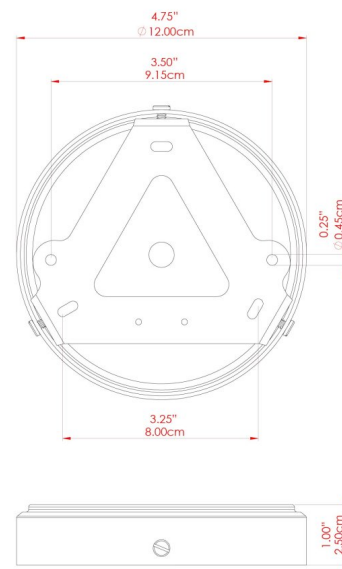
# DALLAS Pendant

## MLP509POLBRS Polished Brass



MATERIAL	Brass
HEIGHT	28cm
WIDTH   DIAMETER	30cm
LENGTH   PROJECTION	n/a
WEIGHT	2.4 kg
LAMPHOLDER	E27
MAX WATTAGE	40W
VOLTAGE	220/240v
IP RATING	IP20
CLASS PROTECTION	Class I
SHADE	MLL0144
FLEX   BAR   CHAIN LENGTH	100cm
CABLE TYPE	MLCA038   Gold PVC Flexible Cable   2 Core

### FIXING BRACKET: MLROSE39



WWW.MULLANLIGHTING.COM

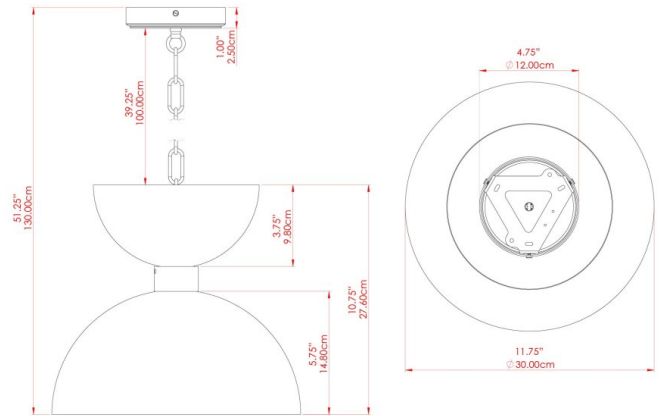
#### Product Notes:

1) Bulbs not included. 2) Dimensions do not include bulbs. 3) All products are individually made-to-order and therefore may differ slightly within manufacturing tolerances. 4) Cable / chain can be shortened during installation. Longer cable / chain lengths available on request. 5) Additional colour finishes may be available on request. 6) Refer to our website for a full list of terms and conditions.



# DALLAS Pendant

MLP509SATBRS Satin Brass



MATERIAL	Brass
HEIGHT	28cm
WIDTH   DIAMETER	30cm
LENGTH   PROJECTION	n/a
WEIGHT	2.4 kg
LAMPHOLDER	E27
MAX WATTAGE	40W
VOLTAGE	220/240v
IP RATING	IP20
CLASS PROTECTION	Class I
SHADE	MLL0144
FLEX   BAR   CHAIN LENGTH	100cm
CABLE TYPE	MLCA038   Gold PVC Flexible Cable   2 Core

## FIXING BRACKET: MLROSE39

