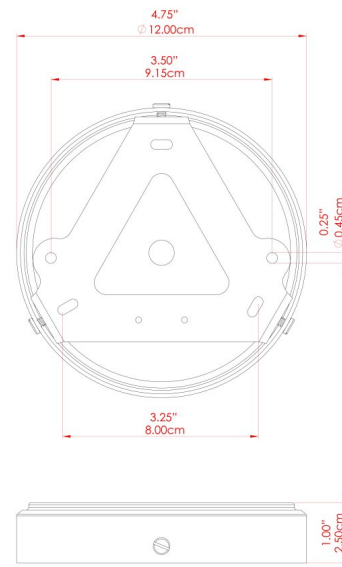


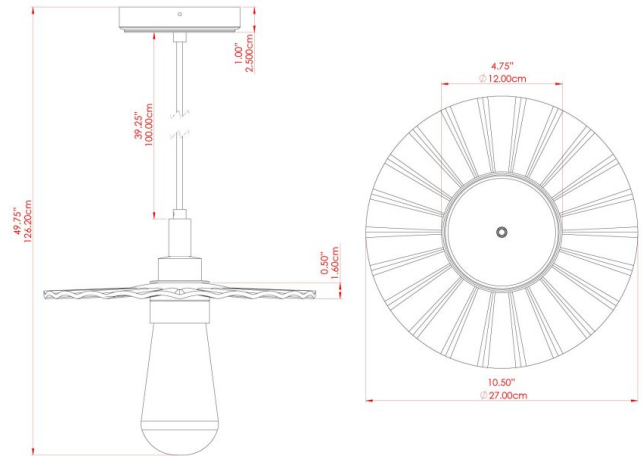
|                           |   |
|---------------------------|---|
| MATERIAL                  | BRASS   CERAMIC   GLASS   |
| HEIGHT                    | 13.7cm  |
| WIDTH   DIAMETER          | 27cm  |
| LENGTH   PROJECTION       | n/a   |
| WEIGHT                    | 1.2 kg  |
| LAMPHOLDER                | E27   |
| MAX WATTAGE               | 6.5W  |
| VOLTAGE                   | 220/240v  |
| IP RATING                 | IP44  |
| CLASS PROTECTION          | Class II  |
| SHADE                     | MLCS080   GLWP01  |
| FLEX   BAR   CHAIN LENGTH | n/a   |
| CABLE TYPE                | MLOCA001   Brown Fabric Braided Outdoor Rubber Cable   2 Core Round |

FIXING BRACKET: MLWB17



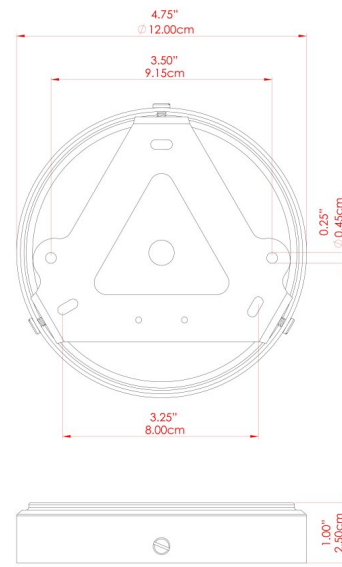
Product Notes:  
 1) Bulbs not included. 2) Dimensions do not include bulbs. 3) All products are individually made-to-order and therefore may differ slightly within manufacturing tolerances. 4) Cable / chain can be shortened during installation. Longer cable / chain lengths available on request. 5) Additional colour finishes may be available on request. 6) Refer to our website for a full list of terms and conditions.

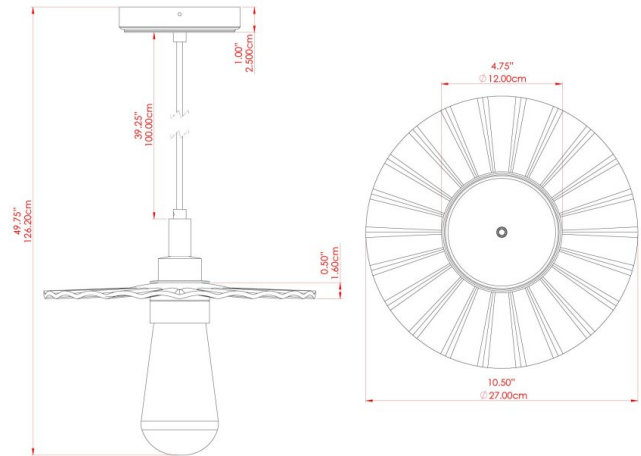




|                           |   |
|---------------------------|---|
| MATERIAL                  | BRASS   CERAMIC   GLASS   |
| HEIGHT                    | 13.7cm  |
| WIDTH   DIAMETER          | 27cm  |
| LENGTH   PROJECTION       | n/a   |
| WEIGHT                    | 1.2 kg  |
| LAMPHOLDER                | E27   |
| MAX WATTAGE               | 6.5W  |
| VOLTAGE                   | 220/240v  |
| IP RATING                 | IP44  |
| CLASS PROTECTION          | Class II  |
| SHADE                     | MLCS080   GLWP01  |
| FLEX   BAR   CHAIN LENGTH | n/a   |
| CABLE TYPE                | MLOCA002   Black Fabric Braided Outdoor Rubber Cable   2 Core Round |

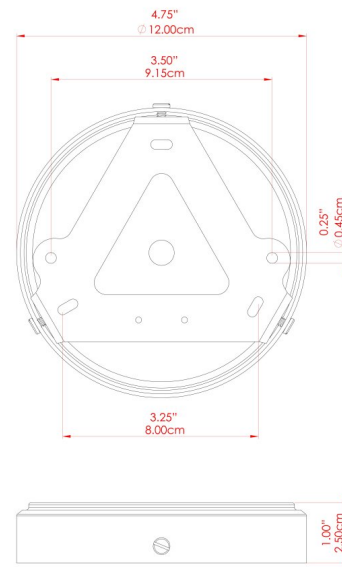
FIXING BRACKET: MLWB17





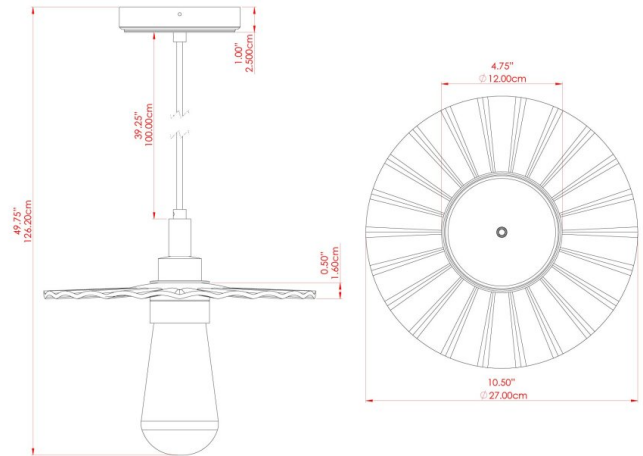
|                           |   |
|---------------------------|---|
| MATERIAL                  | BRASS   CERAMIC   GLASS   |
| HEIGHT                    | 13.7cm  |
| WIDTH   DIAMETER          | 27cm  |
| LENGTH   PROJECTION       | n/a   |
| WEIGHT                    | 1.2 kg  |
| LAMPHOLDER                | E27   |
| MAX WATTAGE               | 6.5W  |
| VOLTAGE                   | 220/240v  |
| IP RATING                 | IP44  |
| CLASS PROTECTION          | Class II  |
| SHADE                     | MLCS080   GLWP01  |
| FLEX   BAR   CHAIN LENGTH | n/a   |
| CABLE TYPE                | MLOCA002   Black Fabric Braided Outdoor Rubber Cable   2 Core Round |

### FIXING BRACKET: MLWB17



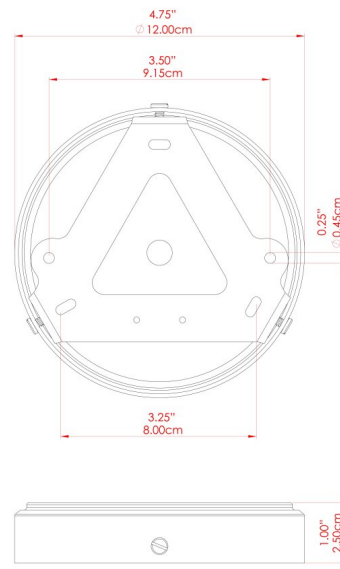
#### Product Notes:

1) Bulbs not included. 2) Dimensions do not include bulbs. 3) All products are individually made-to-order and therefore may differ slightly within manufacturing tolerances. 4) Cable / chain can be shortened during installation. Longer cable / chain lengths available on request. 5) Additional colour finishes may be available on request. 6) Refer to our website for a full list of terms and conditions.



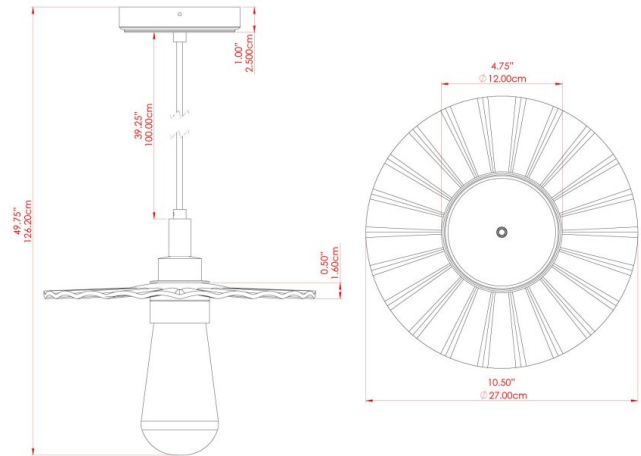
|                           |   |
|---------------------------|---|
| MATERIAL                  | BRASS   CERAMIC   GLASS   |
| HEIGHT                    | 13.7cm  |
| WIDTH   DIAMETER          | 27cm  |
| LENGTH   PROJECTION       | n/a   |
| WEIGHT                    | 1.2 kg  |
| LAMPHOLDER                | E27   |
| MAX WATTAGE               | 6.5W  |
| VOLTAGE                   | 220/240v  |
| IP RATING                 | IP44  |
| CLASS PROTECTION          | Class II  |
| SHADE                     | MLCS080   GLWP01  |
| FLEX   BAR   CHAIN LENGTH | n/a   |
| CABLE TYPE                | MLOCA002   Black Fabric Braided Outdoor Rubber Cable   2 Core Round |

FIXING BRACKET: MLWB17



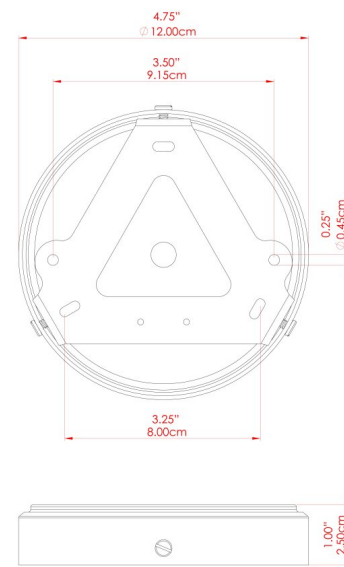
Product Notes:  
 1) Bulbs not included. 2) Dimensions do not include bulbs. 3) All products are individually made-to-order and therefore may differ slightly within manufacturing tolerances. 4) Cable / chain can be shortened during installation. Longer cable / chain lengths available on request. 5) Additional colour finishes may be available on request. 6) Refer to our website for a full list of terms and conditions.





|                           |   |
|---------------------------|---|
| MATERIAL                  | BRASS   CERAMIC   GLASS   |
| HEIGHT                    | 13.7cm  |
| WIDTH   DIAMETER          | 27cm  |
| LENGTH   PROJECTION       | n/a   |
| WEIGHT                    | 1.2 kg  |
| LAMPHOLDER                | E27   |
| MAX WATTAGE               | 6.5W  |
| VOLTAGE                   | 220/240v  |
| IP RATING                 | IP44  |
| CLASS PROTECTION          | Class II  |
| SHADE                     | MLCS080   GLWP01  |
| FLEX   BAR   CHAIN LENGTH | n/a   |
| CABLE TYPE                | MLOCA002   Black Fabric Braided Outdoor Rubber Cable   2 Core Round |

### FIXING BRACKET: MLWB17



WWW.MULLANLIGHTING.COM

#### Product Notes:

1) Bulbs not included. 2) Dimensions do not include bulbs. 3) All products are individually made-to-order and therefore may differ slightly within manufacturing tolerances. 4) Cable / chain can be shortened during installation. Longer cable / chain lengths available on request. 5) Additional colour finishes may be available on request. 6) Refer to our website for a full list of terms and conditions.

