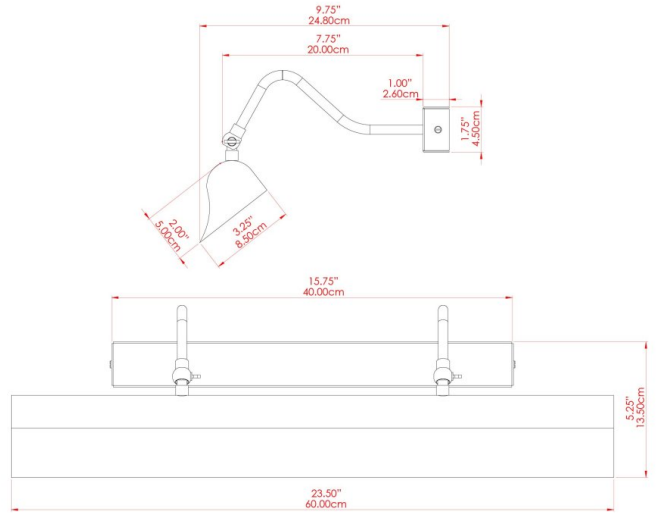


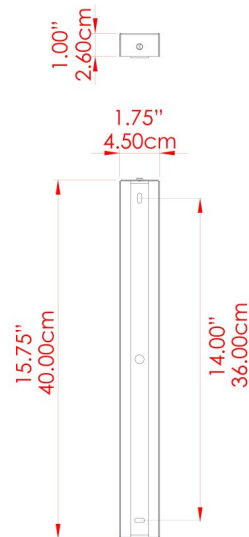
SPENCE Picture Light

MPL018ANTBRS Antique Brass



MATERIAL	Brass
HEIGHT	17cm
WIDTH DIAMETER	60cm
LENGTH PROJECTION	27cm
WEIGHT	1.8 kg
LAMPHOLDER	G9
MAX WATTAGE	6.5W
VOLTAGE	220/240v
IP RATING	IP20
CLASS PROTECTION	Class I
SHADE	-
FLEX BAR CHAIN LENGTH	n/a
CABLE TYPE	-

FIXING BRACKET: MLWB07 | Antique Brass

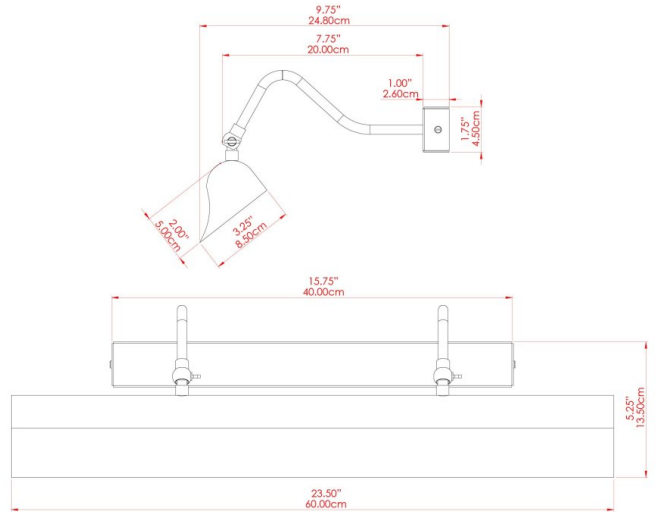


Product Notes:
 1) Bulbs not included. 2) Dimensions do not include bulbs. 3) All products are individually made-to-order and therefore may differ slightly within manufacturing tolerances. 4) Cable / chain can be shortened during installation. Longer cable / chain lengths available on request. 5) Additional colour finishes may be available on request. 6) Refer to our website for a full list of terms and conditions.



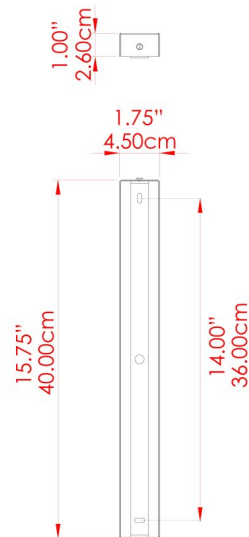
SPENCE Picture Light

MPL018ANTSLV Antique Silver



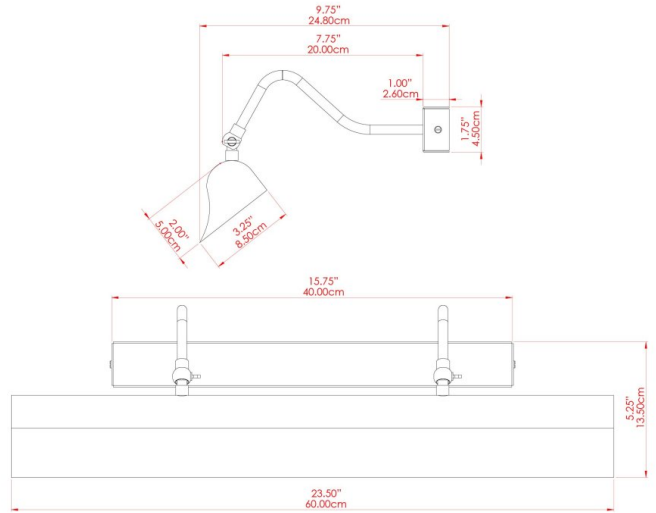
MATERIAL	Brass
HEIGHT	17cm
WIDTH DIAMETER	60cm
LENGTH PROJECTION	27cm
WEIGHT	1.8 kg
LAMPHOLDER	G9
MAX WATTAGE	6.5W
VOLTAGE	220/240v
IP RATING	IP20
CLASS PROTECTION	Class I
SHADE	-
FLEX BAR CHAIN LENGTH	n/a
CABLE TYPE	-

FIXING BRACKET: MLWB07 | Antique Silver



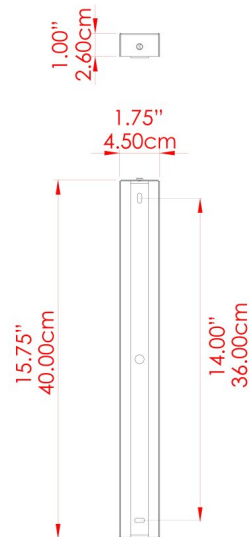
SPENCE Picture Light

MPL018POLBRS Polished Brass



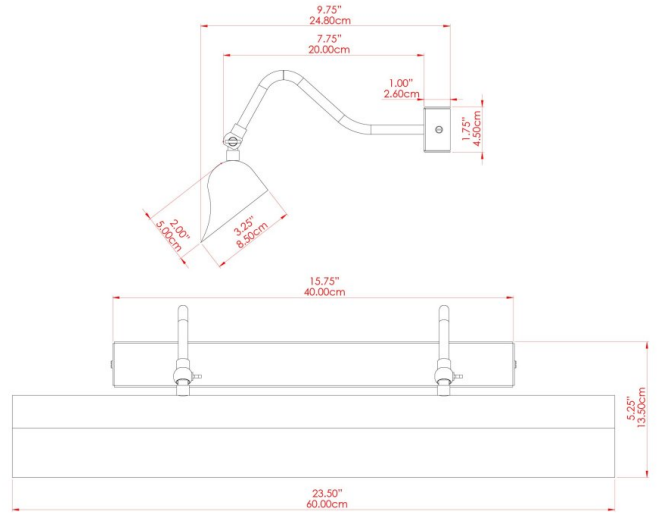
MATERIAL	Brass
HEIGHT	17cm
WIDTH DIAMETER	60cm
LENGTH PROJECTION	27cm
WEIGHT	1.8 kg
LAMPHOLDER	G9
MAX WATTAGE	6.5W
VOLTAGE	220/240v
IP RATING	IP20
CLASS PROTECTION	Class I
SHADE	-
FLEX BAR CHAIN LENGTH	n/a
CABLE TYPE	-

FIXING BRACKET: MLWB07 | Polished Brass



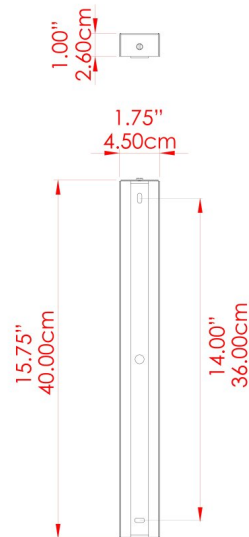
SPENCE Picture Light

MPL018SATBRS Satin Brass



MATERIAL	Brass
HEIGHT	17cm
WIDTH DIAMETER	60cm
LENGTH PROJECTION	27cm
WEIGHT	1.8 kg
LAMPHOLDER	G9
MAX WATTAGE	6.5W
VOLTAGE	220/240v
IP RATING	IP20
CLASS PROTECTION	Class I
SHADE	-
FLEX BAR CHAIN LENGTH	n/a
CABLE TYPE	-

FIXING BRACKET: MLWB07 | Satin Brass



WWW.MULLANLIGHTING.COM

Product Notes:

1) Bulbs not included. 2) Dimensions do not include bulbs. 3) All products are individually made-to-order and therefore may differ slightly within manufacturing tolerances. 4) Cable / chain can be shortened during installation. Longer cable / chain lengths available on request. 5) Additional colour finishes may be available on request. 6) Refer to our website for a full list of terms and conditions.

