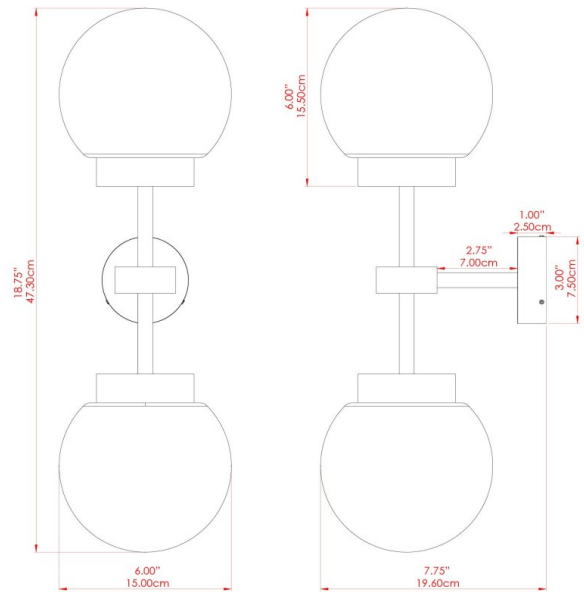


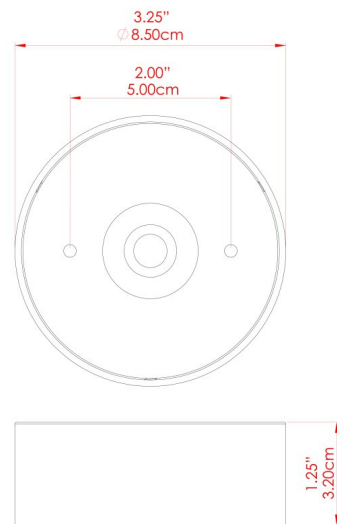
GRANGE Wall Light

MLWL393ANTBRACL Antique Brass



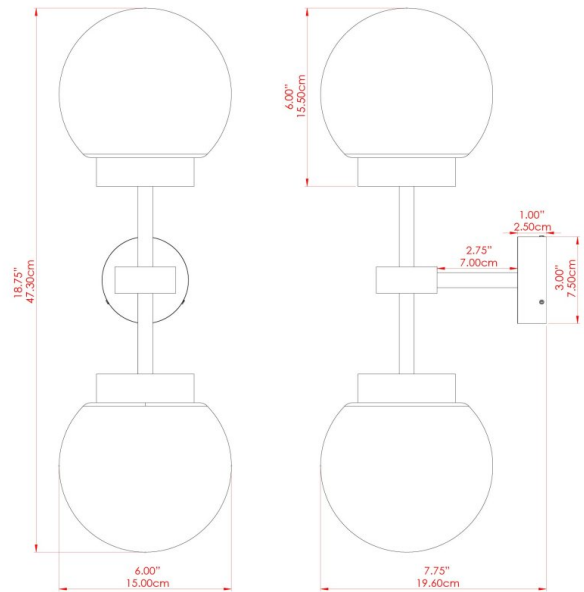
MATERIAL	Brass Glass
HEIGHT	53cm
WIDTH DIAMETER	15cm
LENGTH PROJECTION	21cm
WEIGHT	2.4 kg
LAMPHOLDER	E27
MAX WATTAGE	40W
VOLTAGE	220/240v
IP RATING	IP20
CLASS PROTECTION	Class I
SHADE	GL166 x 2
FLEX BAR CHAIN LENGTH	n/a
CABLE TYPE	-

FIXING BRACKET: MLWB13 | Antique Brass



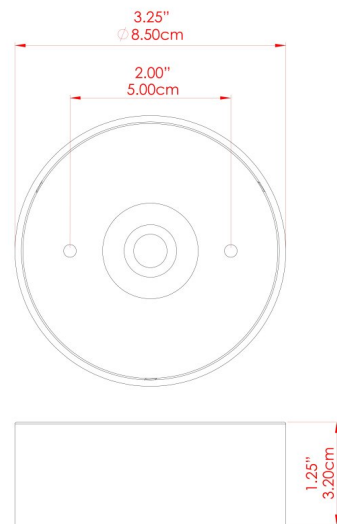
GRANGE Wall Light

MLWL393ANTBRSOP Antique Brass



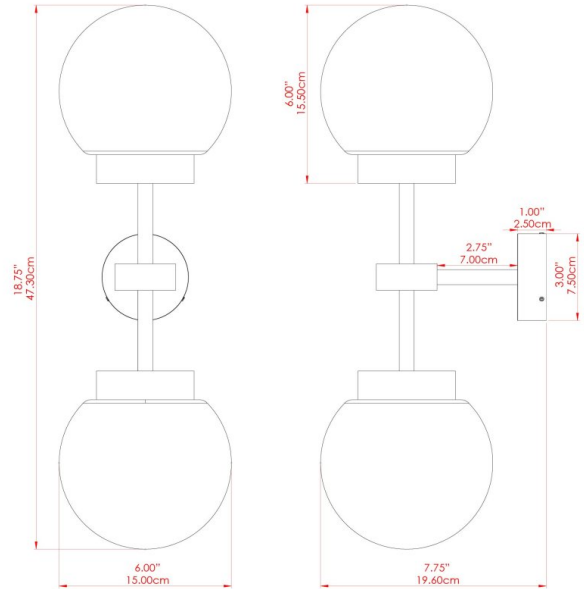
MATERIAL	Brass Glass
HEIGHT	53cm
WIDTH DIAMETER	15cm
LENGTH PROJECTION	21cm
WEIGHT	2.4 kg
LAMPHOLDER	E27
MAX WATTAGE	40W
VOLTAGE	220/240v
IP RATING	IP20
CLASS PROTECTION	Class I
SHADE	GL167 x 2
FLEX BAR CHAIN LENGTH	n/a
CABLE TYPE	-

FIXING BRACKET: MLWB13 | Antique Brass



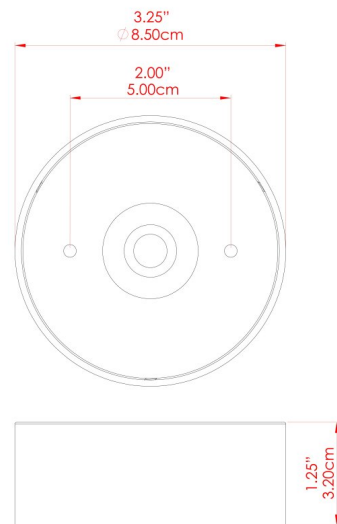
GRANGE Wall Light

MLWL393ANTSLVCL Antique Silver



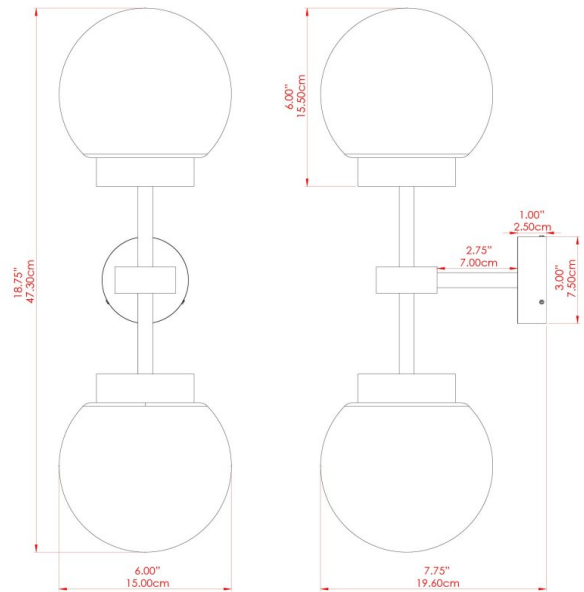
MATERIAL	Brass Glass
HEIGHT	53cm
WIDTH DIAMETER	15cm
LENGTH PROJECTION	21cm
WEIGHT	2.4 kg
LAMPHOLDER	E27
MAX WATTAGE	40W
VOLTAGE	220/240v
IP RATING	IP20
CLASS PROTECTION	Class I
SHADE	GL166 x 2
FLEX BAR CHAIN LENGTH	n/a
CABLE TYPE	-

FIXING BRACKET: MLWB13 | Antique Silver



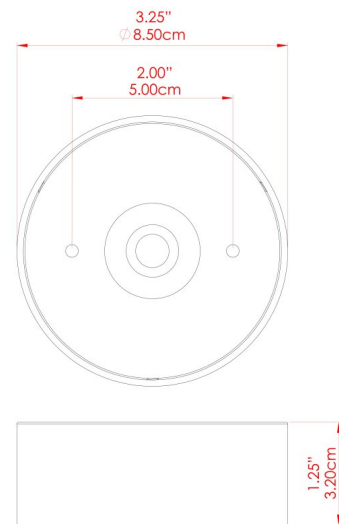
GRANGE Wall Light

MLWL393ANTSLVOP Antique Silver



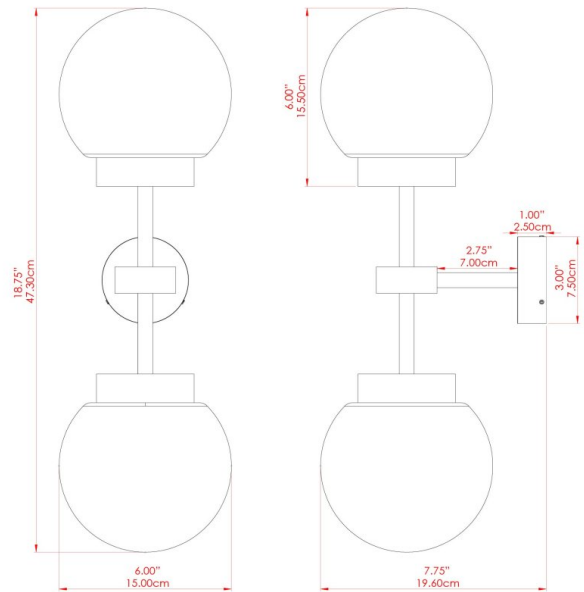
MATERIAL	Brass Glass
HEIGHT	53cm
WIDTH DIAMETER	15cm
LENGTH PROJECTION	21cm
WEIGHT	2.4 kg
LAMPHOLDER	E27
MAX WATTAGE	40W
VOLTAGE	220/240v
IP RATING	IP20
CLASS PROTECTION	Class I
SHADE	GL167 x 2
FLEX BAR CHAIN LENGTH	n/a
CABLE TYPE	-

FIXING BRACKET: MLWB13 | Antique Silver



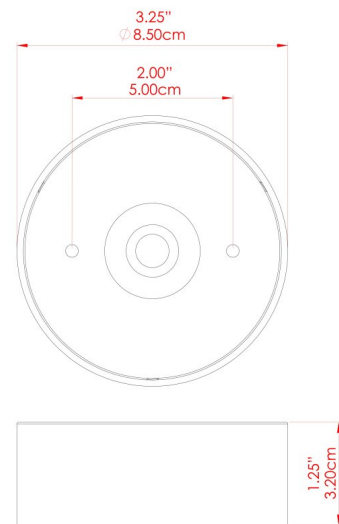
GRANGE Wall Light

MLWL393POLBRSCS Polished Brass



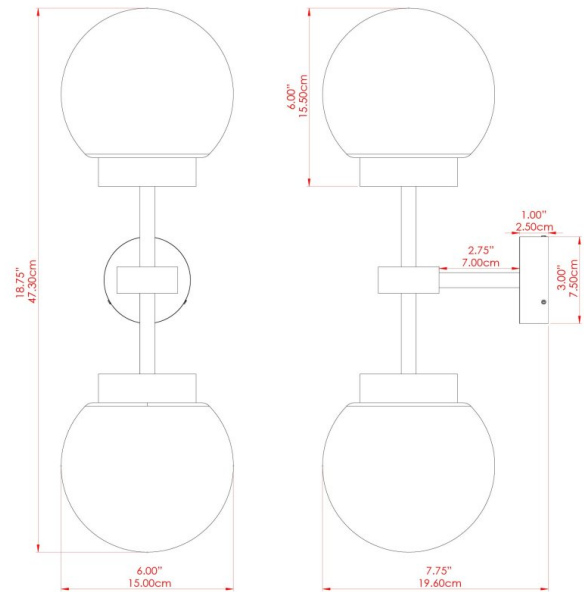
MATERIAL	Brass Glass
HEIGHT	53cm
WIDTH DIAMETER	15cm
LENGTH PROJECTION	21cm
WEIGHT	2.4 kg
LAMPHOLDER	E27
MAX WATTAGE	40W
VOLTAGE	220/240v
IP RATING	IP20
CLASS PROTECTION	Class I
SHADE	GL166 x 2
FLEX BAR CHAIN LENGTH	n/a
CABLE TYPE	-

FIXING BRACKET: MLWB13 | Polished Brass



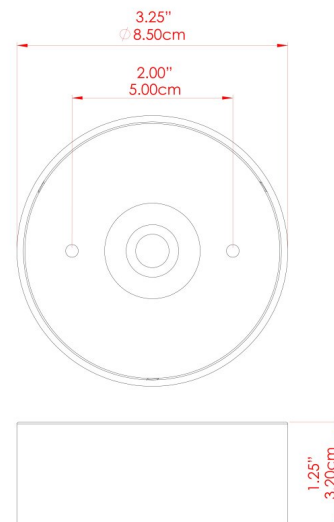
GRANGE Wall Light

MLWL393POLBRSOP Polished Brass



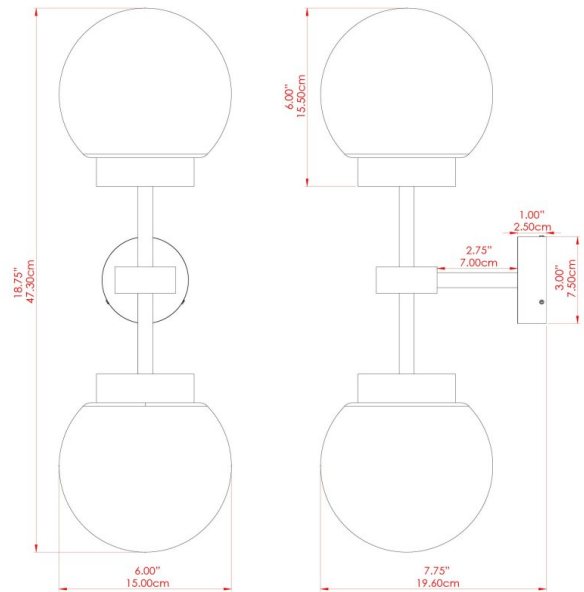
MATERIAL	Brass Glass
HEIGHT	53cm
WIDTH DIAMETER	15cm
LENGTH PROJECTION	21cm
WEIGHT	2.4 kg
LAMPHOLDER	E27
MAX WATTAGE	40W
VOLTAGE	220/240v
IP RATING	IP20
CLASS PROTECTION	Class I
SHADE	GL167 x 2
FLEX BAR CHAIN LENGTH	n/a
CABLE TYPE	-

FIXING BRACKET: MLWB13 | Polished Brass



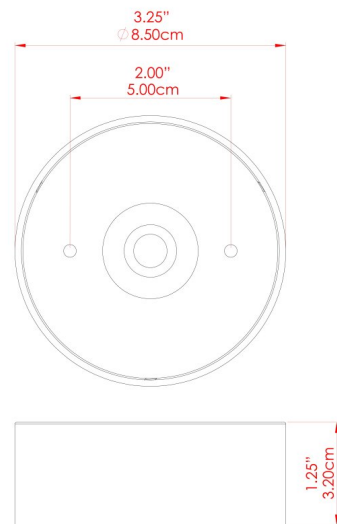
GRANGE Wall Light

MLWL393SATBRSL Satin Brass



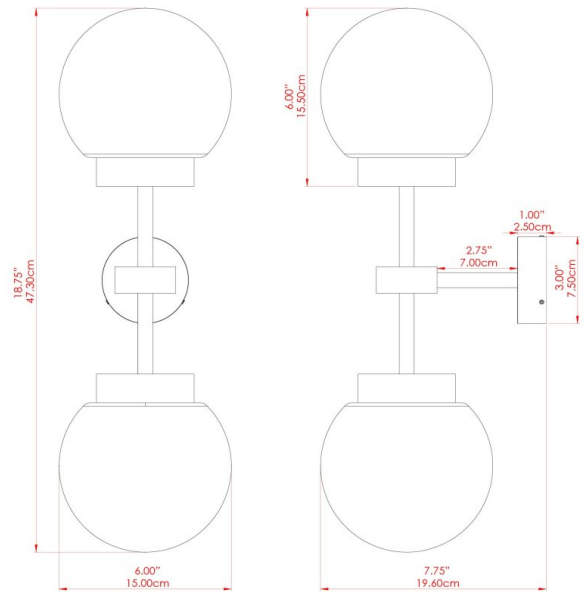
MATERIAL	Brass Glass
HEIGHT	53cm
WIDTH DIAMETER	15cm
LENGTH PROJECTION	21cm
WEIGHT	2.4 kg
LAMPHOLDER	E27
MAX WATTAGE	40W
VOLTAGE	220/240v
IP RATING	IP20
CLASS PROTECTION	Class I
SHADE	GL166 x 2
FLEX BAR CHAIN LENGTH	n/a
CABLE TYPE	-

FIXING BRACKET: MLWB13 | Satin Brass



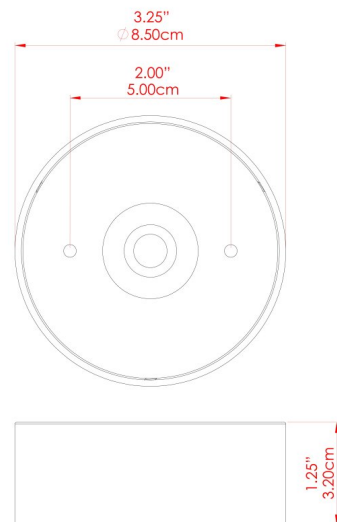
GRANGE Wall Light

MLWL393SATBRSOP Satin Brass



MATERIAL	Brass Glass
HEIGHT	53cm
WIDTH DIAMETER	15cm
LENGTH PROJECTION	21cm
WEIGHT	2.4 kg
LAMPHOLDER	E27
MAX WATTAGE	40W
VOLTAGE	220/240v
IP RATING	IP20
CLASS PROTECTION	Class I
SHADE	GL167 x 2
FLEX BAR CHAIN LENGTH	n/a
CABLE TYPE	-

FIXING BRACKET: MLWB13 | Satin Brass



WWW.MULLANLIGHTING.COM

Product Notes:

1) Bulbs not included. 2) Dimensions do not include bulbs. 3) All products are individually made-to-order and therefore may differ slightly within manufacturing tolerances. 4) Cable / chain can be shortened during installation. Longer cable / chain lengths available on request. 5) Additional colour finishes may be available on request. 6) Refer to our website for a full list of terms and conditions.

