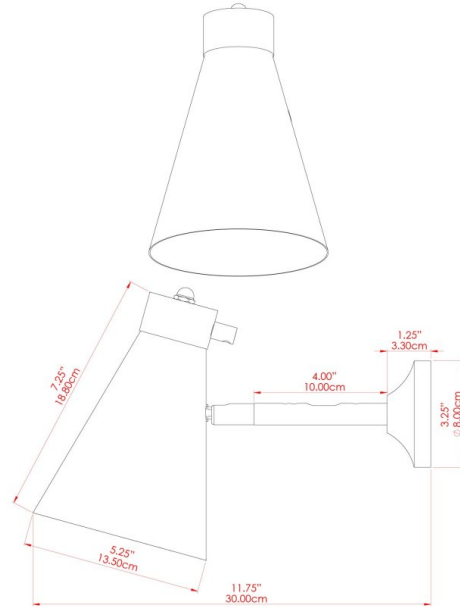


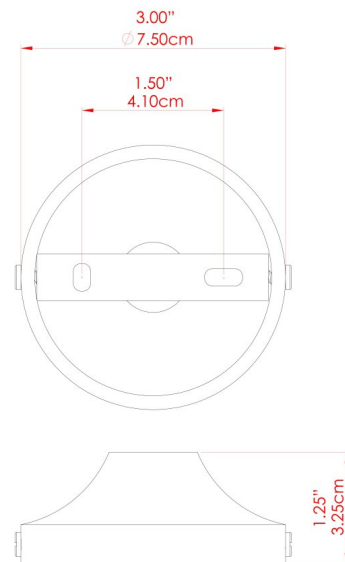
PRESTON Wall Light

MLWL412PCMBK Matt Black



MATERIAL	Brass
HEIGHT	19cm
WIDTH DIAMETER	14cm
LENGTH PROJECTION	25-28cm
WEIGHT	0.8 kg
LAMPHOLDER	E27
MAX WATTAGE	40W
VOLTAGE	220/240v
IP RATING	IP20
CLASS PROTECTION	Class I
SHADE	-
FLEX BAR CHAIN LENGTH	n/a
CABLE TYPE	MLCA028 Black Fabric Braided Cable 2 Core Round

FIXING BRACKET: MLWB03 | Matt Black

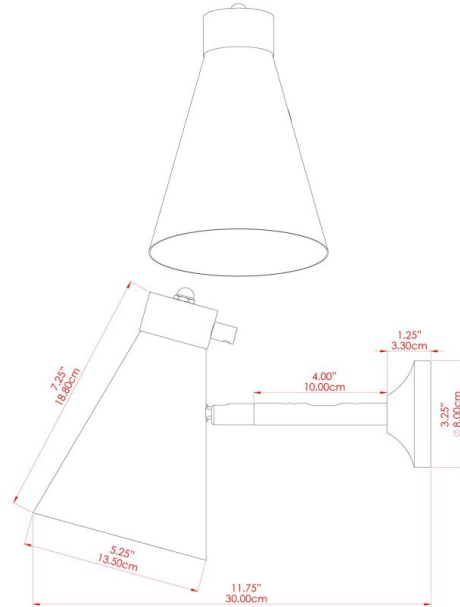


Product Notes:
 1) Bulbs not included. 2) Dimensions do not include bulbs. 3) All products are individually made-to-order and therefore may differ slightly within manufacturing tolerances. 4) Cable / chain can be shortened during installation. Longer cable / chain lengths available on request. 5) Additional colour finishes may be available on request. 6) Refer to our website for a full list of terms and conditions.



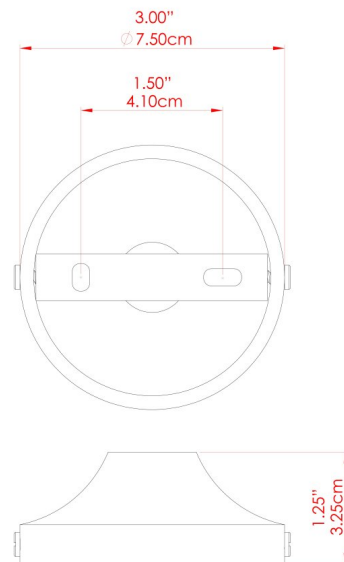
PRESTON Wall Light

MLWL412PCWTE White



MATERIAL	Brass
HEIGHT	19cm
WIDTH DIAMETER	14cm
LENGTH PROJECTION	25-28cm
WEIGHT	0.8 kg
LAMPHOLDER	E27
MAX WATTAGE	40W
VOLTAGE	220/240v
IP RATING	IP20
CLASS PROTECTION	Class I
SHADE	-
FLEX BAR CHAIN LENGTH	n/a
CABLE TYPE	MLCA029 Black Fabric Braided Cable 3 Core Round

FIXING BRACKET: MLWB03 | White



Product Notes:

1) Bulbs not included. 2) Dimensions do not include bulbs. 3) All products are individually made-to-order and therefore may differ slightly within manufacturing tolerances. 4) Cable / chain can be shortened during installation. Longer cable / chain lengths available on request. 5) Additional colour finishes may be available on request. 6) Refer to our website for a full list of terms and conditions.



WWW.MULLANLIGHTING.COM

