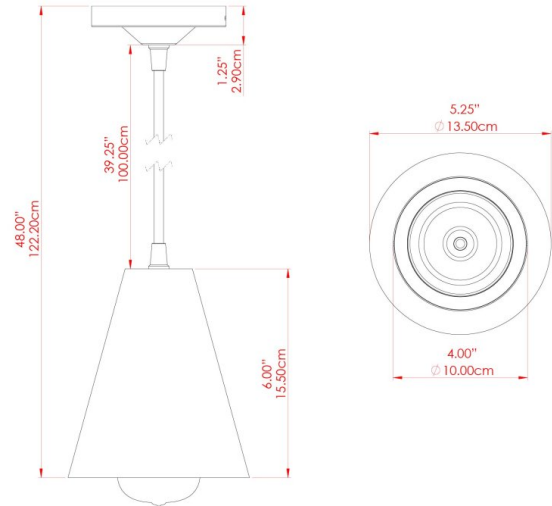


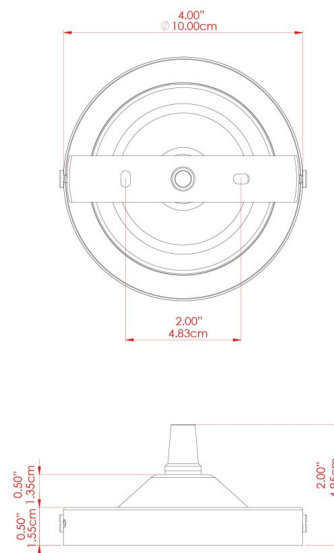
# MOYA Pendant

# MLP418ANTBRS Antique Brass



|                           |   |
|---------------------------|---|
| MATERIAL                  | Brass   |
| HEIGHT                    | 18.5cm  |
| WIDTH   DIAMETER          | 14cm  |
| LENGTH   PROJECTION       | n/a   |
| WEIGHT                    | 0.57 kg   |
| LAMPHOLDER                | E27   |
| MAX WATTAGE               | 40W   |
| VOLTAGE                   | 220/240v  |
| IP RATING                 | IP20  |
| CLASS PROTECTION          | Class I   |
| SHADE                     | -   |
| FLEX   BAR   CHAIN LENGTH | 100cm   |
| CABLE TYPE                | MLCA047   Brown Fabric Braided Cable   2 Core Round |

### FIXING BRACKET: MLROSE05GRIP | Antique Brass

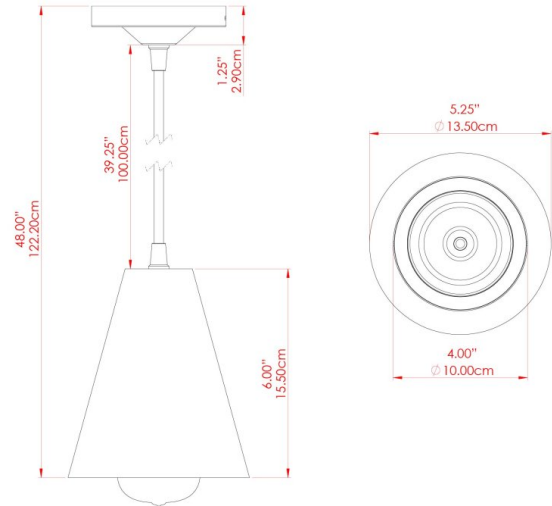


Product Notes:  
 1) Bulbs not included. 2) Dimensions do not include bulbs. 3) All products are individually made-to-order and therefore may differ slightly within manufacturing tolerances. 4) Cable / chain can be shortened during installation. Longer cable / chain lengths available on request. 5) Additional colour finishes may be available on request. 6) Refer to our website for a full list of terms and conditions.



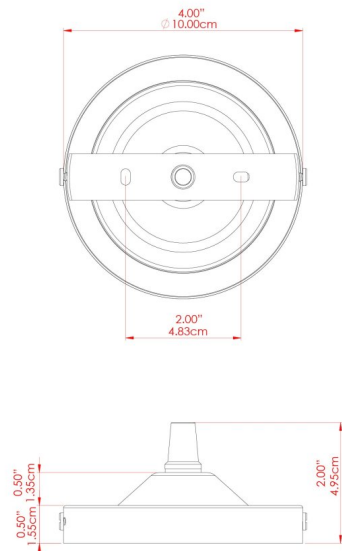
# MOYA Pendant

# MLP418ANTSLV Antique Silver



|                           |   |
|---------------------------|---|
| MATERIAL                  | Brass   |
| HEIGHT                    | 18.5cm  |
| WIDTH   DIAMETER          | 14cm  |
| LENGTH   PROJECTION       | n/a   |
| WEIGHT                    | 0.57 kg   |
| LAMPHOLDER                | E27   |
| MAX WATTAGE               | 40W   |
| VOLTAGE                   | 220/240v  |
| IP RATING                 | IP20  |
| CLASS PROTECTION          | Class I   |
| SHADE                     | -   |
| FLEX   BAR   CHAIN LENGTH | 100cm   |
| CABLE TYPE                | MLCA028   Black Fabric Braided Cable   2 Core Round |

FIXING BRACKET: MLROSE05GRIP | Antique Silver

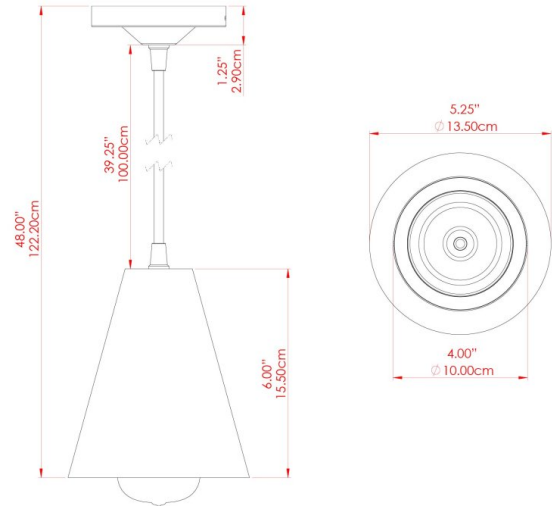


Product Notes:  
 1) Bulbs not included. 2) Dimensions do not include bulbs. 3) All products are individually made-to-order and therefore may differ slightly within manufacturing tolerances. 4) Cable / chain can be shortened during installation. Longer cable / chain lengths available on request. 5) Additional colour finishes may be available on request. 6) Refer to our website for a full list of terms and conditions.



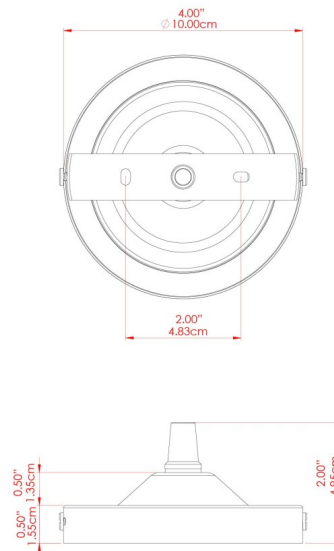
# MOYA Pendant

MLP418POLBRS Polished Brass



|                           |   |
|---------------------------|---|
| MATERIAL                  | Brass   |
| HEIGHT                    | 18.5cm  |
| WIDTH   DIAMETER          | 14cm  |
| LENGTH   PROJECTION       | n/a   |
| WEIGHT                    | 0.57 kg   |
| LAMPHOLDER                | E27   |
| MAX WATTAGE               | 40W   |
| VOLTAGE                   | 220/240v  |
| IP RATING                 | IP20  |
| CLASS PROTECTION          | Class I   |
| SHADE                     | -   |
| FLEX   BAR   CHAIN LENGTH | 100cm   |
| CABLE TYPE                | MLCA028   Black Fabric Braided Cable   2 Core Round |

FIXING BRACKET: MLROSE05GRIP | Polished Brass

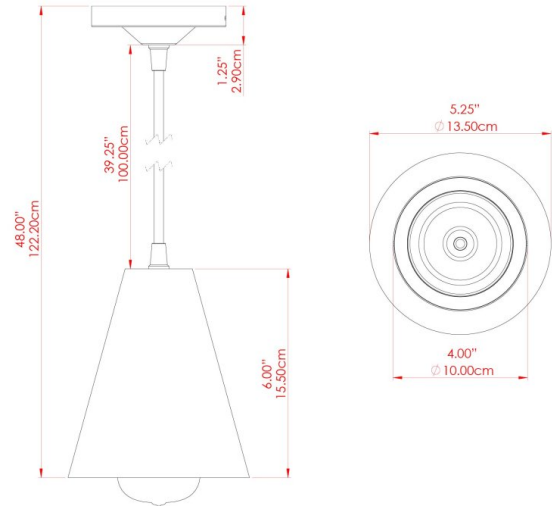


Product Notes:  
 1) Bulbs not included. 2) Dimensions do not include bulbs. 3) All products are individually made-to-order and therefore may differ slightly within manufacturing tolerances. 4) Cable / chain can be shortened during installation. Longer cable / chain lengths available on request. 5) Additional colour finishes may be available on request. 6) Refer to our website for a full list of terms and conditions.



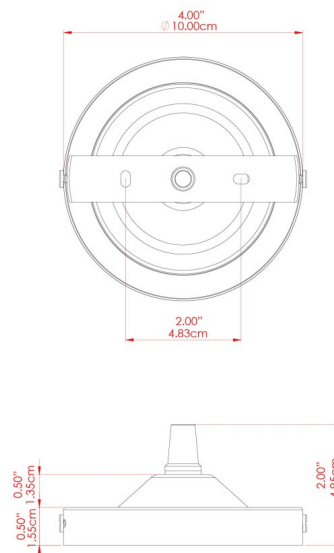
# MOYA Pendant

MLP418SATBRS Satin Brass



|                           |   |
|---------------------------|---|
| MATERIAL                  | Brass   |
| HEIGHT                    | 18.5cm  |
| WIDTH   DIAMETER          | 14cm  |
| LENGTH   PROJECTION       | n/a   |
| WEIGHT                    | 0.57 kg   |
| LAMPHOLDER                | E27   |
| MAX WATTAGE               | 40W   |
| VOLTAGE                   | 220/240v  |
| IP RATING                 | IP20  |
| CLASS PROTECTION          | Class I   |
| SHADE                     | -   |
| FLEX   BAR   CHAIN LENGTH | 100cm   |
| CABLE TYPE                | MLCA028   Black Fabric Braided Cable   2 Core Round |

FIXING BRACKET: MLROSE05GRIP | Satin Brass



Product Notes:  
 1) Bulbs not included. 2) Dimensions do not include bulbs. 3) All products are individually made-to-order and therefore may differ slightly within manufacturing tolerances. 4) Cable / chain can be shortened during installation. Longer cable / chain lengths available on request. 5) Additional colour finishes may be available on request. 6) Refer to our website for a full list of terms and conditions.

