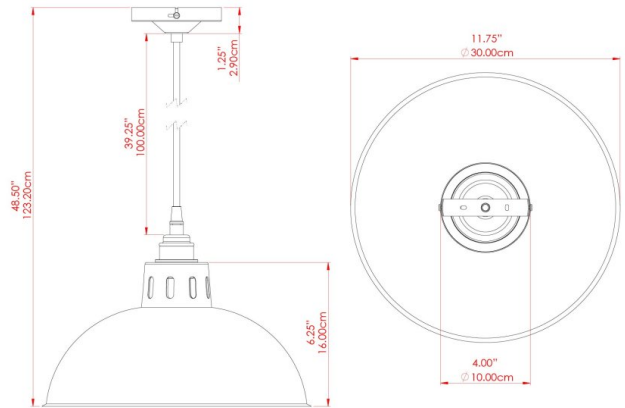


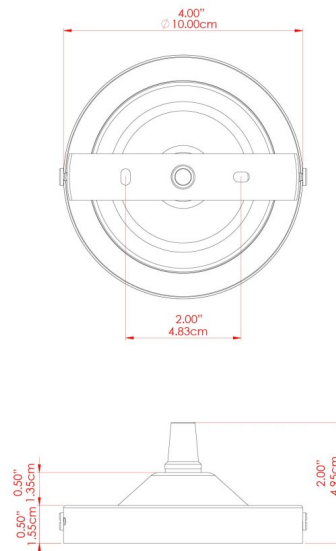
# OSSON Pendant

MLP262PCBLK Black



MATERIAL	Brass   Aluminium
HEIGHT	22cm
WIDTH   DIAMETER	30cm
LENGTH   PROJECTION	n/a
WEIGHT	0.46 kg
LAMPHOLDER	E27
MAX WATTAGE	60W
VOLTAGE	220/240v
IP RATING	IP20
CLASS PROTECTION	Class I
SHADE	-
FLEX   BAR   CHAIN LENGTH	100cm
CABLE TYPE	MLCA020   Black Fabric Braided Cable   3 Core Twisted

FIXING BRACKET: MLROSE05GRIP | Polished Chrome

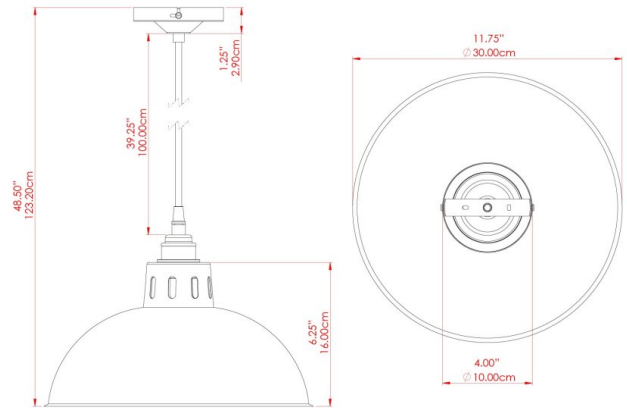


Product Notes:  
 1) Bulbs not included. 2) Dimensions do not include bulbs. 3) All products are individually made-to-order and therefore may differ slightly within manufacturing tolerances. 4) Cable / chain can be shortened during installation. Longer cable / chain lengths available on request. 5) Additional colour finishes may be available on request. 6) Refer to our website for a full list of terms and conditions.



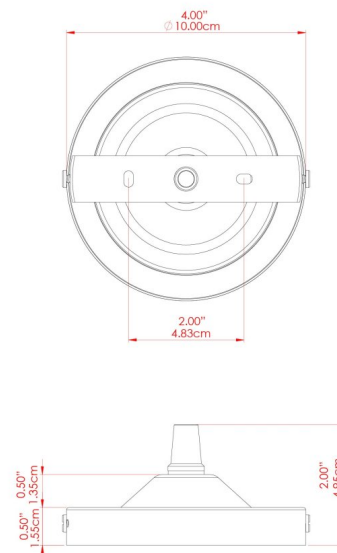
# OSSON Pendant

MLP262PCBRZ Bronze



MATERIAL	Brass   Aluminium
HEIGHT	22cm
WIDTH   DIAMETER	30cm
LENGTH   PROJECTION	n/a
WEIGHT	0.46 kg
LAMPHOLDER	E27
MAX WATTAGE	60W
VOLTAGE	220/240v
IP RATING	IP20
CLASS PROTECTION	Class I
SHADE	-
FLEX   BAR   CHAIN LENGTH	100cm
CABLE TYPE	MLCA007   Brown Fabric Braided Cable   3 Core Twisted

FIXING BRACKET: MLROSE05GRIP | Antique Brass

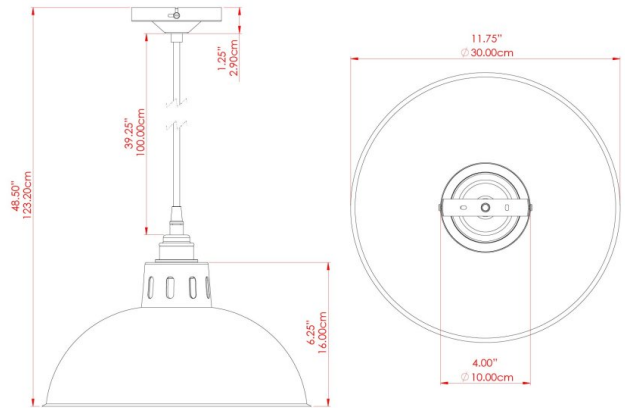


Product Notes:  
 1) Bulbs not included. 2) Dimensions do not include bulbs. 3) All products are individually made-to-order and therefore may differ slightly within manufacturing tolerances. 4) Cable / chain can be shortened during installation. Longer cable / chain lengths available on request. 5) Additional colour finishes may be available on request. 6) Refer to our website for a full list of terms and conditions.



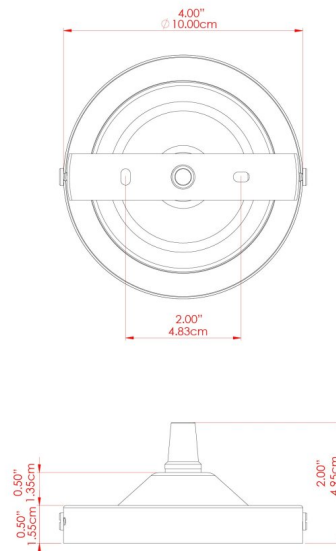


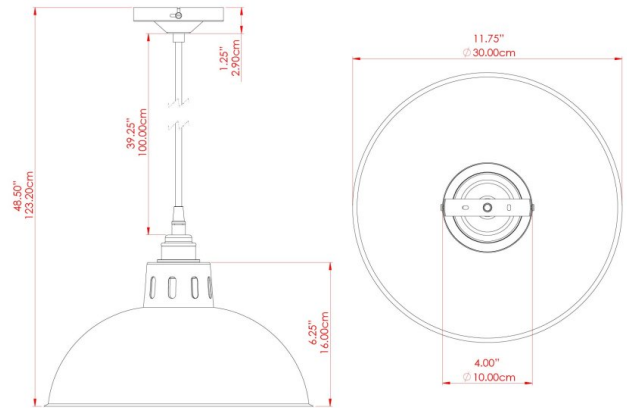
POWDER-COATED  
CHROME



MATERIAL	Brass   Aluminium
HEIGHT	22cm
WIDTH   DIAMETER	30cm
LENGTH   PROJECTION	n/a
WEIGHT	0.46 kg
LAMPHOLDER	E27
MAX WATTAGE	60W
VOLTAGE	220/240v
IP RATING	IP20
CLASS PROTECTION	Class I
SHADE	-
FLEX   BAR   CHAIN LENGTH	100cm
CABLE TYPE	MLCA020   Black Fabric Braided Cable   3 Core Twisted

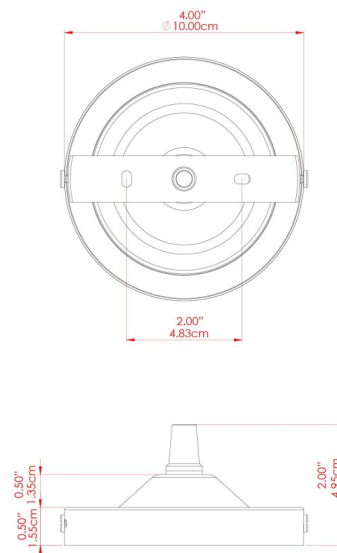
FIXING BRACKET: MLROSE05GRIP | Polished Chrome





MATERIAL	Brass   Aluminium
HEIGHT	22cm
WIDTH   DIAMETER	30cm
LENGTH   PROJECTION	n/a
WEIGHT	0.46 kg
LAMPHOLDER	E27
MAX WATTAGE	60W
VOLTAGE	220/240v
IP RATING	IP20
CLASS PROTECTION	Class I
SHADE	-
FLEX   BAR   CHAIN LENGTH	100cm
CABLE TYPE	MLCA020   Black Fabric Braided Cable   3 Core Twisted

FIXING BRACKET: MLROSE05GRIP | Polished Chrome

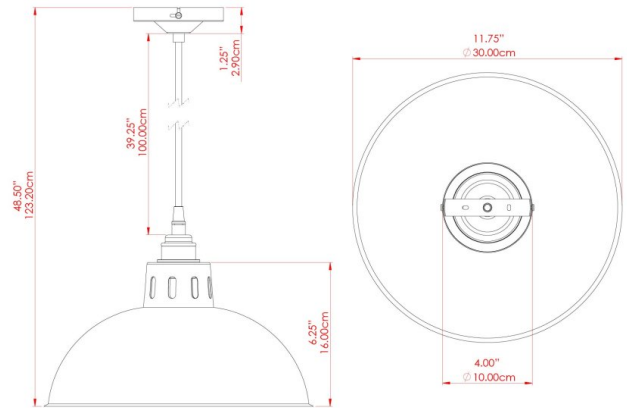


Product Notes:  
 1) Bulbs not included. 2) Dimensions do not include bulbs. 3) All products are individually made-to-order and therefore may differ slightly within manufacturing tolerances. 4) Cable / chain can be shortened during installation. Longer cable / chain lengths available on request. 5) Additional colour finishes may be available on request. 6) Refer to our website for a full list of terms and conditions.



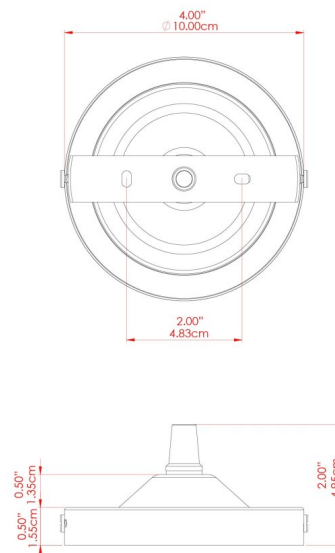
# OSSON Pendant

MLP262PCGRN Sage Green



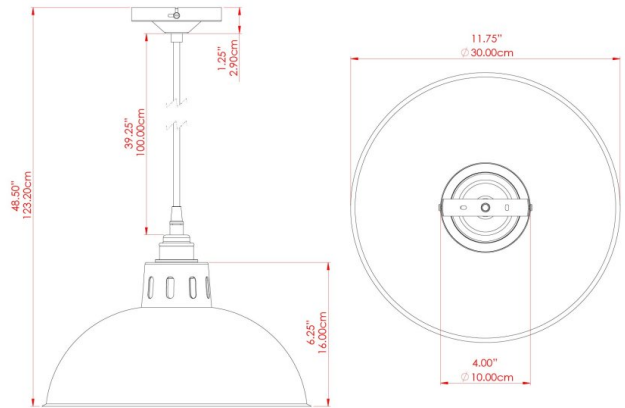
MATERIAL	Brass   Aluminium
HEIGHT	22cm
WIDTH   DIAMETER	30cm
LENGTH   PROJECTION	n/a
WEIGHT	0.46 kg
LAMPHOLDER	E27
MAX WATTAGE	60W
VOLTAGE	220/240v
IP RATING	IP20
CLASS PROTECTION	Class I
SHADE	-
FLEX   BAR   CHAIN LENGTH	100cm
CABLE TYPE	MLCA020   Black Fabric Braided Cable   3 Core Twisted

FIXING BRACKET: MLROSE05GRIP | Polished Chrome



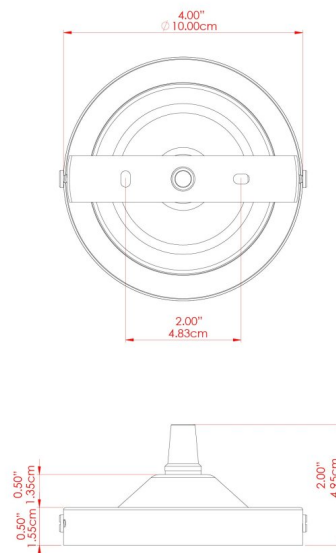
Product Notes:  
 1) Bulbs not included. 2) Dimensions do not include bulbs. 3) All products are individually made-to-order and therefore may differ slightly within manufacturing tolerances. 4) Cable / chain can be shortened during installation. Longer cable / chain lengths available on request. 5) Additional colour finishes may be available on request. 6) Refer to our website for a full list of terms and conditions.





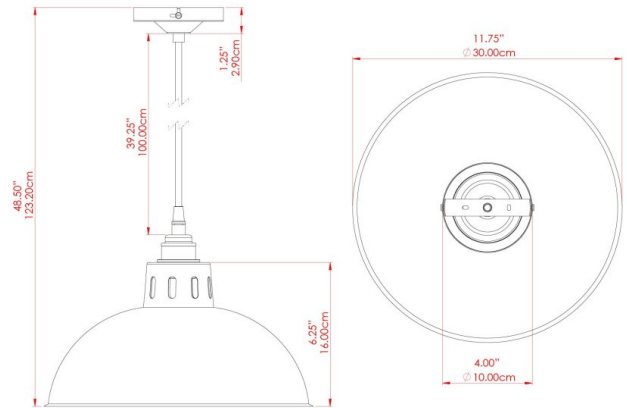
MATERIAL	Brass   Aluminium
HEIGHT	22cm
WIDTH   DIAMETER	30cm
LENGTH   PROJECTION	n/a
WEIGHT	0.46 kg
LAMPHOLDER	E27
MAX WATTAGE	60W
VOLTAGE	220/240v
IP RATING	IP20
CLASS PROTECTION	Class I
SHADE	-
FLEX   BAR   CHAIN LENGTH	100cm
CABLE TYPE	MLCA020   Black Fabric Braided Cable   3 Core Twisted

FIXING BRACKET: MLROSE05GRIP | Polished Chrome



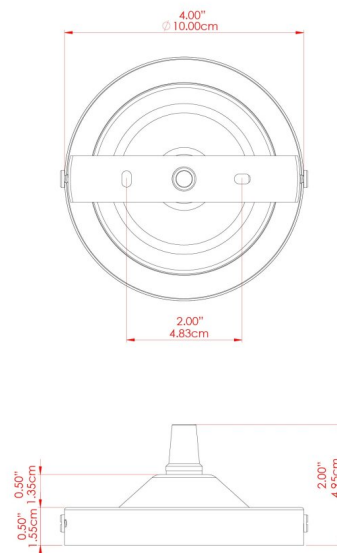
Product Notes:  
 1) Bulbs not included. 2) Dimensions do not include bulbs. 3) All products are individually made-to-order and therefore may differ slightly within manufacturing tolerances. 4) Cable / chain can be shortened during installation. Longer cable / chain lengths available on request. 5) Additional colour finishes may be available on request. 6) Refer to our website for a full list of terms and conditions.





MATERIAL	Brass   Aluminium
HEIGHT	22cm
WIDTH   DIAMETER	30cm
LENGTH   PROJECTION	n/a
WEIGHT	0.46 kg
LAMPHOLDER	E27
MAX WATTAGE	60W
VOLTAGE	220/240v
IP RATING	IP20
CLASS PROTECTION	Class I
SHADE	-
FLEX   BAR   CHAIN LENGTH	100cm
CABLE TYPE	MLCA020   Black Fabric Braided Cable   3 Core Twisted

FIXING BRACKET: MLROSE05GRIP | Polished Chrome

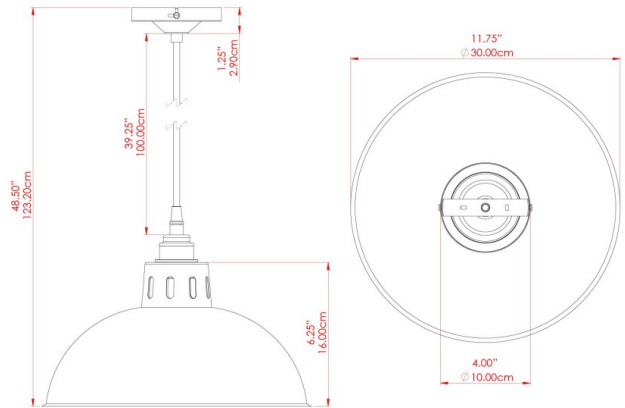


Product Notes:  
 1) Bulbs not included. 2) Dimensions do not include bulbs. 3) All products are individually made-to-order and therefore may differ slightly within manufacturing tolerances. 4) Cable / chain can be shortened during installation. Longer cable / chain lengths available on request. 5) Additional colour finishes may be available on request. 6) Refer to our website for a full list of terms and conditions.



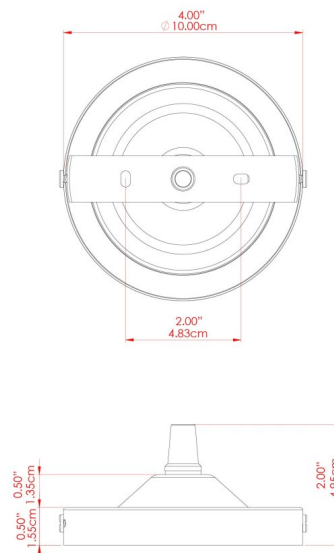
# OSSON Pendant

MLP262PCMBK Matt Black



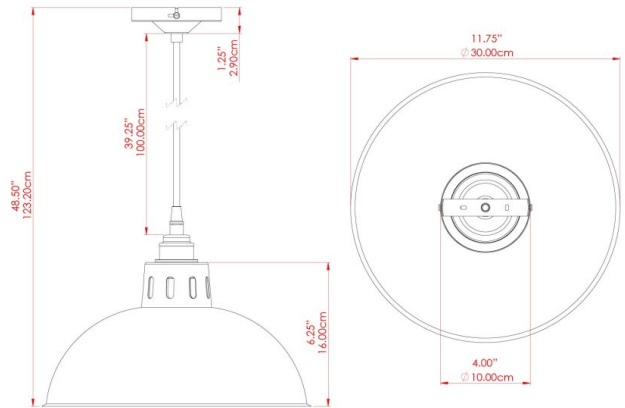
MATERIAL	Brass   Aluminium
HEIGHT	22cm
WIDTH   DIAMETER	30cm
LENGTH   PROJECTION	n/a
WEIGHT	0.46 kg
LAMPHOLDER	E27
MAX WATTAGE	60W
VOLTAGE	220/240v
IP RATING	IP20
CLASS PROTECTION	Class I
SHADE	-
FLEX   BAR   CHAIN LENGTH	100cm
CABLE TYPE	MLCA020   Black Fabric Braided Cable   3 Core Twisted

FIXING BRACKET: MLROSE05GRIP | Polished Chrome



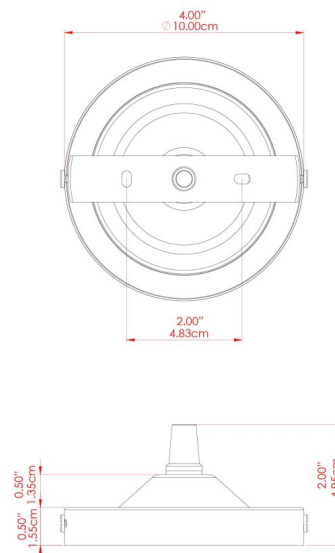
Product Notes:  
 1) Bulbs not included. 2) Dimensions do not include bulbs. 3) All products are individually made-to-order and therefore may differ slightly within manufacturing tolerances. 4) Cable / chain can be shortened during installation. Longer cable / chain lengths available on request. 5) Additional colour finishes may be available on request. 6) Refer to our website for a full list of terms and conditions.





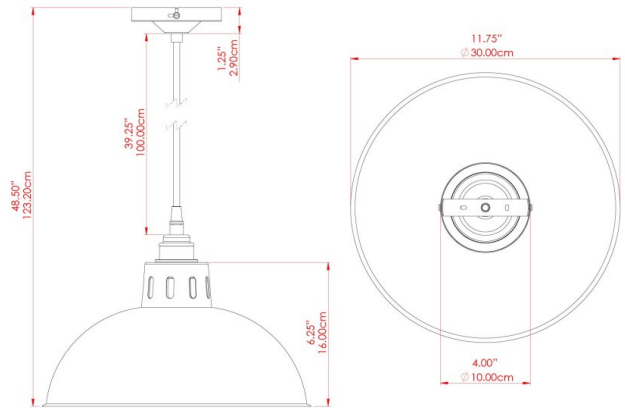
MATERIAL	Brass   Aluminium
HEIGHT	22cm
WIDTH   DIAMETER	30cm
LENGTH   PROJECTION	n/a
WEIGHT	0.46 kg
LAMPHOLDER	E27
MAX WATTAGE	60W
VOLTAGE	220/240v
IP RATING	IP20
CLASS PROTECTION	Class I
SHADE	-
FLEX   BAR   CHAIN LENGTH	100cm
CABLE TYPE	MLCA020   Black Fabric Braided Cable   3 Core Twisted

FIXING BRACKET: MLROSE05GRIP | Polished Chrome



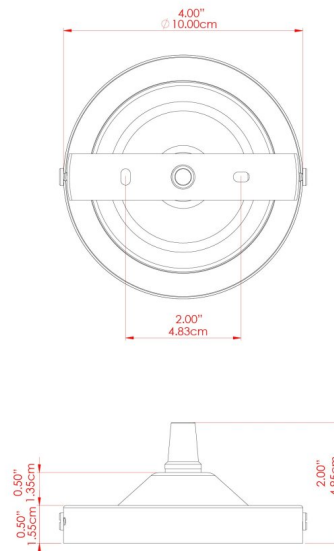
Product Notes:  
 1) Bulbs not included. 2) Dimensions do not include bulbs. 3) All products are individually made-to-order and therefore may differ slightly within manufacturing tolerances. 4) Cable / chain can be shortened during installation. Longer cable / chain lengths available on request. 5) Additional colour finishes may be available on request. 6) Refer to our website for a full list of terms and conditions.





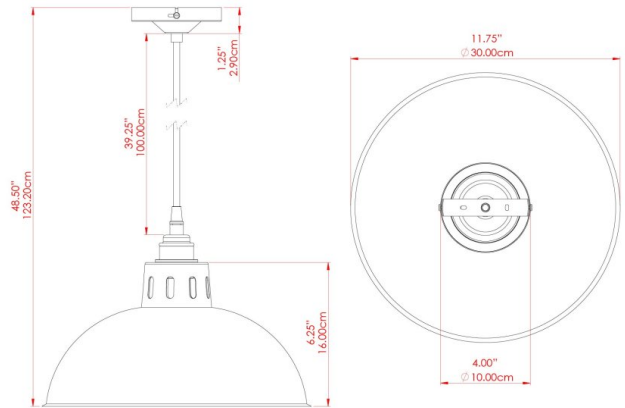
MATERIAL	Brass   Aluminium
HEIGHT	22cm
WIDTH   DIAMETER	30cm
LENGTH   PROJECTION	n/a
WEIGHT	0.46 kg
LAMPHOLDER	E27
MAX WATTAGE	60W
VOLTAGE	220/240v
IP RATING	IP20
CLASS PROTECTION	Class I
SHADE	-
FLEX   BAR   CHAIN LENGTH	100cm
CABLE TYPE	MLCA020   Black Fabric Braided Cable   3 Core Twisted

FIXING BRACKET: MLROSE05GRIP | Polished Chrome



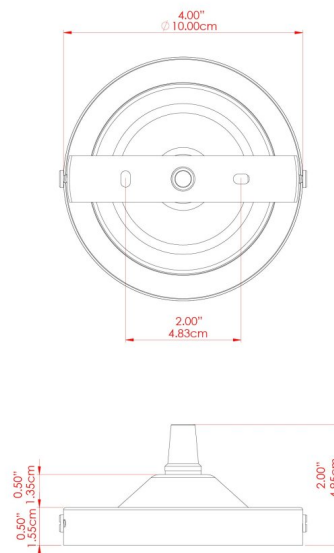
Product Notes:  
 1) Bulbs not included. 2) Dimensions do not include bulbs. 3) All products are individually made-to-order and therefore may differ slightly within manufacturing tolerances. 4) Cable / chain can be shortened during installation. Longer cable / chain lengths available on request. 5) Additional colour finishes may be available on request. 6) Refer to our website for a full list of terms and conditions.





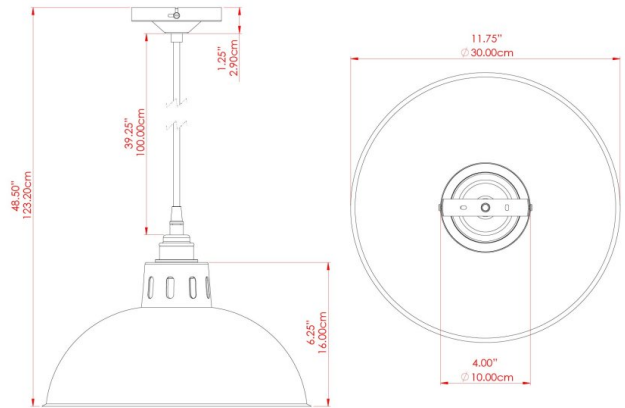
MATERIAL	Brass   Aluminium
HEIGHT	22cm
WIDTH   DIAMETER	30cm
LENGTH   PROJECTION	n/a
WEIGHT	0.46 kg
LAMPHOLDER	E27
MAX WATTAGE	60W
VOLTAGE	220/240v
IP RATING	IP20
CLASS PROTECTION	Class I
SHADE	-
FLEX   BAR   CHAIN LENGTH	100cm
CABLE TYPE	MLCA020   Black Fabric Braided Cable   3 Core Twisted

FIXING BRACKET: MLROSE05GRIP | Polished Chrome



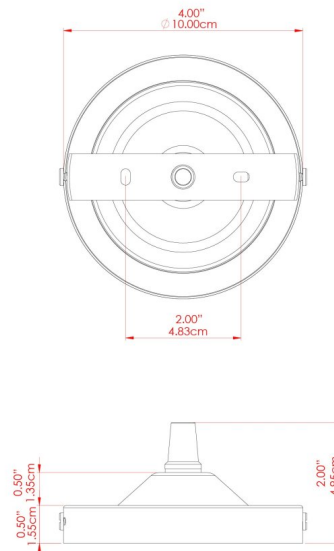
Product Notes:  
 1) Bulbs not included. 2) Dimensions do not include bulbs. 3) All products are individually made-to-order and therefore may differ slightly within manufacturing tolerances. 4) Cable / chain can be shortened during installation. Longer cable / chain lengths available on request. 5) Additional colour finishes may be available on request. 6) Refer to our website for a full list of terms and conditions.





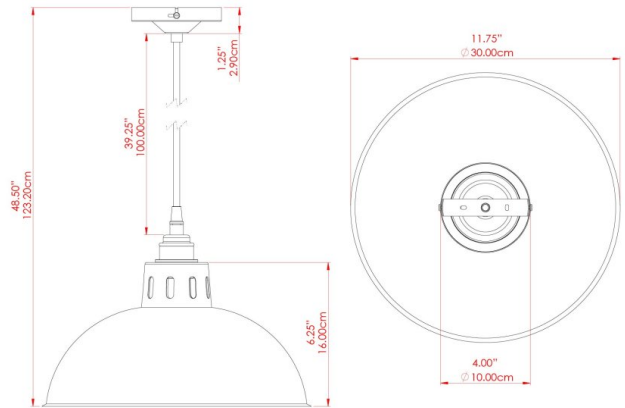
MATERIAL	Brass   Aluminium
HEIGHT	22cm
WIDTH   DIAMETER	30cm
LENGTH   PROJECTION	n/a
WEIGHT	0.46 kg
LAMPHOLDER	E27
MAX WATTAGE	60W
VOLTAGE	220/240v
IP RATING	IP20
CLASS PROTECTION	Class I
SHADE	-
FLEX   BAR   CHAIN LENGTH	100cm
CABLE TYPE	MLCA020   Black Fabric Braided Cable   3 Core Twisted

FIXING BRACKET: MLROSE05GRIP | Polished Chrome



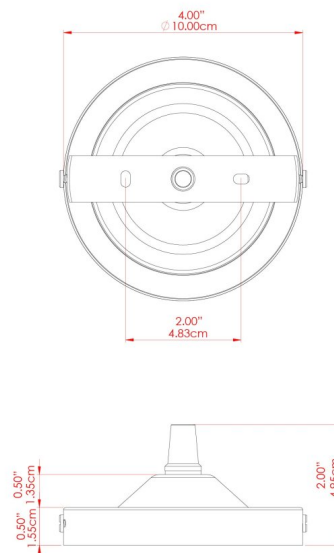
Product Notes:  
 1) Bulbs not included. 2) Dimensions do not include bulbs. 3) All products are individually made-to-order and therefore may differ slightly within manufacturing tolerances. 4) Cable / chain can be shortened during installation. Longer cable / chain lengths available on request. 5) Additional colour finishes may be available on request. 6) Refer to our website for a full list of terms and conditions.





MATERIAL	Brass   Aluminium
HEIGHT	22cm
WIDTH   DIAMETER	30cm
LENGTH   PROJECTION	n/a
WEIGHT	0.46 kg
LAMPHOLDER	E27
MAX WATTAGE	60W
VOLTAGE	220/240v
IP RATING	IP20
CLASS PROTECTION	Class I
SHADE	-
FLEX   BAR   CHAIN LENGTH	100cm
CABLE TYPE	MLCA020   Black Fabric Braided Cable   3 Core Twisted

FIXING BRACKET: MLROSE05GRIP | Polished Chrome

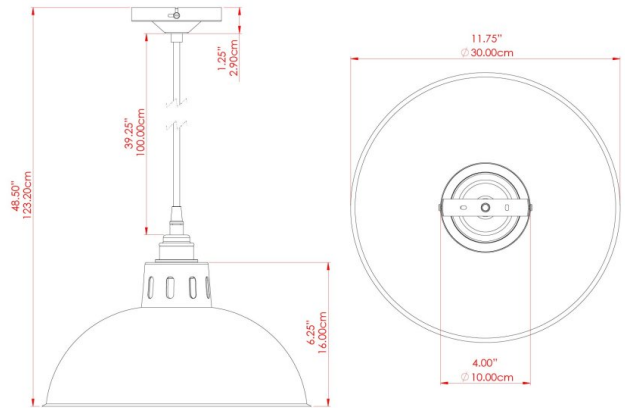


Product Notes:  
 1) Bulbs not included. 2) Dimensions do not include bulbs. 3) All products are individually made-to-order and therefore may differ slightly within manufacturing tolerances. 4) Cable / chain can be shortened during installation. Longer cable / chain lengths available on request. 5) Additional colour finishes may be available on request. 6) Refer to our website for a full list of terms and conditions.



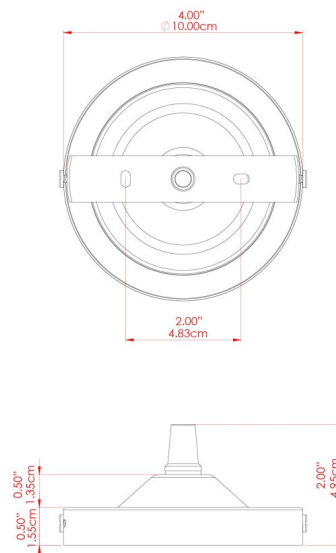
# OSSON Pendant

MLP262PCORG Orange



MATERIAL	Brass   Aluminium
HEIGHT	22cm
WIDTH   DIAMETER	30cm
LENGTH   PROJECTION	n/a
WEIGHT	0.46 kg
LAMPHOLDER	E27
MAX WATTAGE	60W
VOLTAGE	220/240v
IP RATING	IP20
CLASS PROTECTION	Class I
SHADE	-
FLEX   BAR   CHAIN LENGTH	100cm
CABLE TYPE	MLCA020   Black Fabric Braided Cable   3 Core Twisted

FIXING BRACKET: MLROSE05GRIP | Polished Chrome

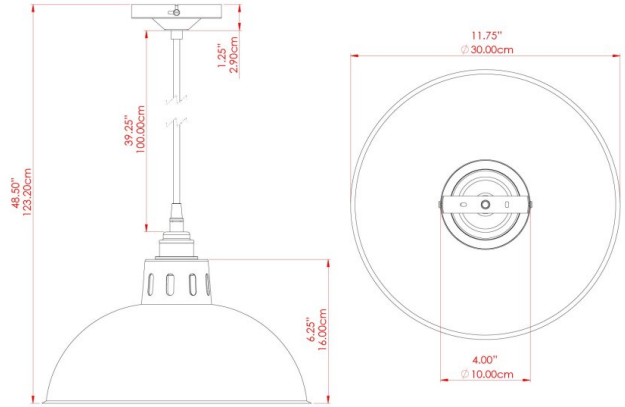


Product Notes:  
 1) Bulbs not included. 2) Dimensions do not include bulbs. 3) All products are individually made-to-order and therefore may differ slightly within manufacturing tolerances. 4) Cable / chain can be shortened during installation. Longer cable / chain lengths available on request. 5) Additional colour finishes may be available on request. 6) Refer to our website for a full list of terms and conditions.



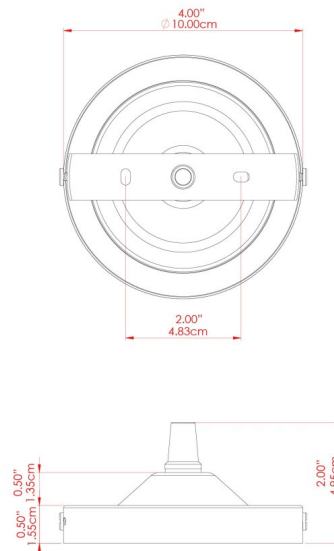
# OSSON Pendant

MLP262PCRED Red



MATERIAL	Brass   Aluminium
HEIGHT	22cm
WIDTH   DIAMETER	30cm
LENGTH   PROJECTION	n/a
WEIGHT	0.46 kg
LAMPHOLDER	E27
MAX WATTAGE	60W
VOLTAGE	220/240v
IP RATING	IP20
CLASS PROTECTION	Class I
SHADE	-
FLEX   BAR   CHAIN LENGTH	100cm
CABLE TYPE	MLCA020   Black Fabric Braided Cable   3 Core Twisted

FIXING BRACKET: MLROSE05GRIP | Polished Chrome

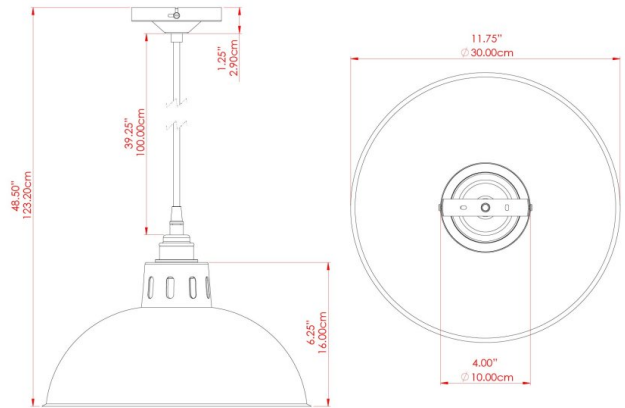


Product Notes:  
 1) Bulbs not included. 2) Dimensions do not include bulbs. 3) All products are individually made-to-order and therefore may differ slightly within manufacturing tolerances. 4) Cable / chain can be shortened during installation. Longer cable / chain lengths available on request. 5) Additional colour finishes may be available on request. 6) Refer to our website for a full list of terms and conditions.



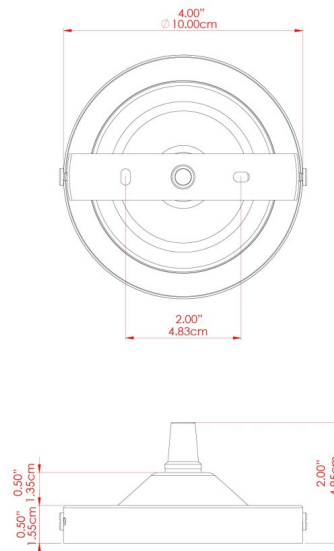
# OSSON Pendant

# MLP262PCRGR Racing Green



MATERIAL	Brass   Aluminium
HEIGHT	22cm
WIDTH   DIAMETER	30cm
LENGTH   PROJECTION	n/a
WEIGHT	0.46 kg
LAMPHOLDER	E27
MAX WATTAGE	60W
VOLTAGE	220/240v
IP RATING	IP20
CLASS PROTECTION	Class I
SHADE	-
FLEX   BAR   CHAIN LENGTH	100cm
CABLE TYPE	MLCA020   Black Fabric Braided Cable   3 Core Twisted

FIXING BRACKET: MLROSE05GRIP | Polished Chrome

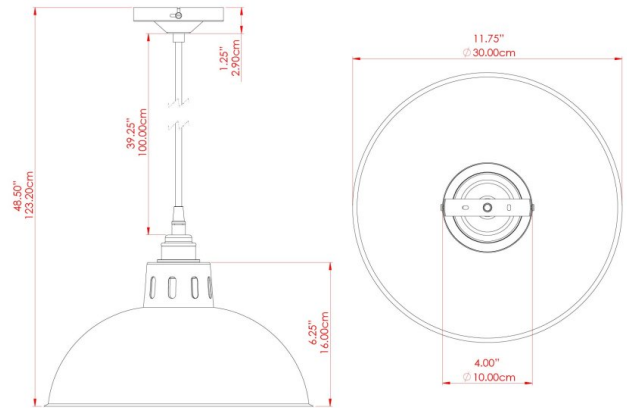


Product Notes:  
 1) Bulbs not included. 2) Dimensions do not include bulbs. 3) All products are individually made-to-order and therefore may differ slightly within manufacturing tolerances. 4) Cable / chain can be shortened during installation. Longer cable / chain lengths available on request. 5) Additional colour finishes may be available on request. 6) Refer to our website for a full list of terms and conditions.



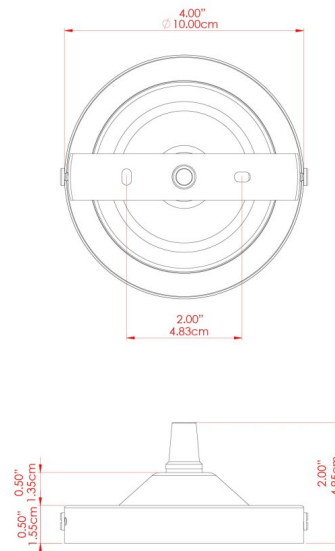
# OSSON Pendant

MLP262PCWTE White



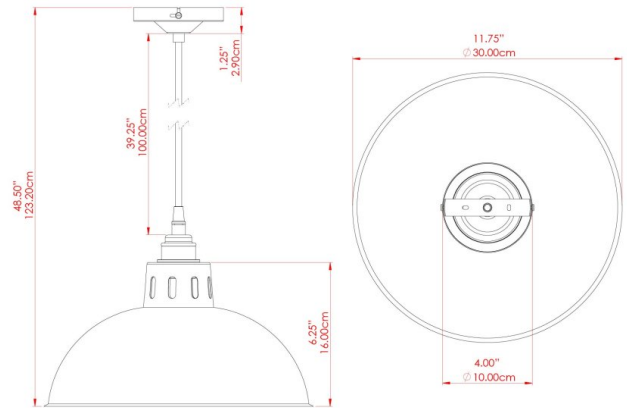
MATERIAL	Brass   Aluminium
HEIGHT	22cm
WIDTH   DIAMETER	30cm
LENGTH   PROJECTION	n/a
WEIGHT	0.46 kg
LAMPHOLDER	E27
MAX WATTAGE	60W
VOLTAGE	220/240v
IP RATING	IP20
CLASS PROTECTION	Class I
SHADE	-
FLEX   BAR   CHAIN LENGTH	100cm
CABLE TYPE	MLCA020   Black Fabric Braided Cable   3 Core Twisted

FIXING BRACKET: MLROSE05GRIP | Polished Chrome



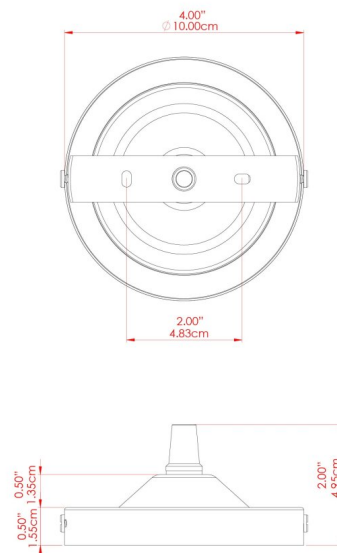
Product Notes:  
 1) Bulbs not included. 2) Dimensions do not include bulbs. 3) All products are individually made-to-order and therefore may differ slightly within manufacturing tolerances. 4) Cable / chain can be shortened during installation. Longer cable / chain lengths available on request. 5) Additional colour finishes may be available on request. 6) Refer to our website for a full list of terms and conditions.





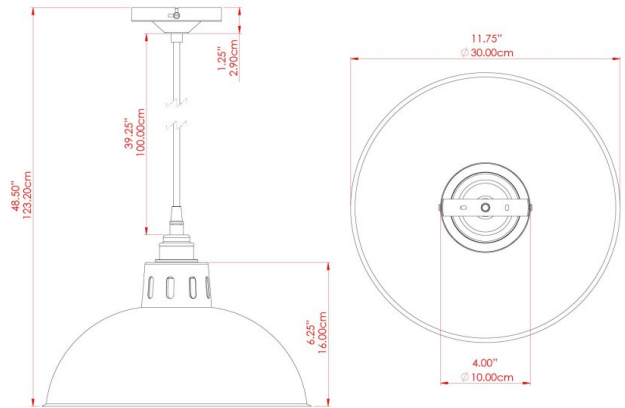
MATERIAL	Brass   Aluminium
HEIGHT	22cm
WIDTH   DIAMETER	30cm
LENGTH   PROJECTION	n/a
WEIGHT	0.46 kg
LAMPHOLDER	E27
MAX WATTAGE	60W
VOLTAGE	220/240v
IP RATING	IP20
CLASS PROTECTION	Class I
SHADE	-
FLEX   BAR   CHAIN LENGTH	100cm
CABLE TYPE	MLCA020   Black Fabric Braided Cable   3 Core Twisted

FIXING BRACKET: MLROSE05GRIP | Polished Chrome



Product Notes:  
 1) Bulbs not included. 2) Dimensions do not include bulbs. 3) All products are individually made-to-order and therefore may differ slightly within manufacturing tolerances. 4) Cable / chain can be shortened during installation. Longer cable / chain lengths available on request. 5) Additional colour finishes may be available on request. 6) Refer to our website for a full list of terms and conditions.





MATERIAL	Brass   Aluminium
HEIGHT	23cm
WIDTH   DIAMETER	30cm
LENGTH   PROJECTION	n/a
WEIGHT	0.46 kg
LAMPHOLDER	E27
MAX WATTAGE	6.5W
VOLTAGE	220/240v
IP RATING	IP65
CLASS PROTECTION	Class I
SHADE	-
FLEX   BAR   CHAIN LENGTH	100cm
CABLE TYPE	MLCA020

FIXING BRACKET: MLROSE05GRIP | Polished Aluminum

