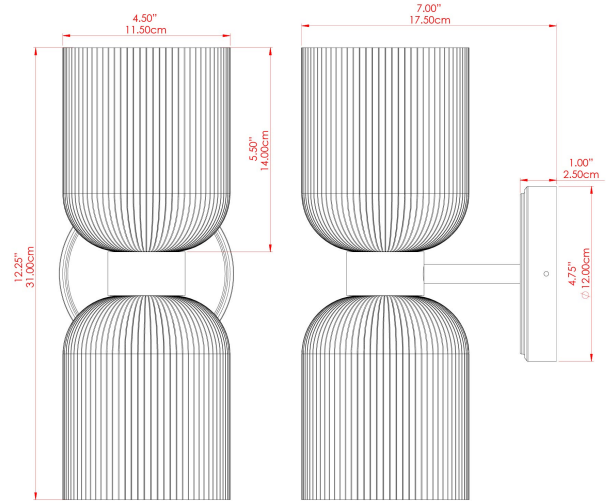


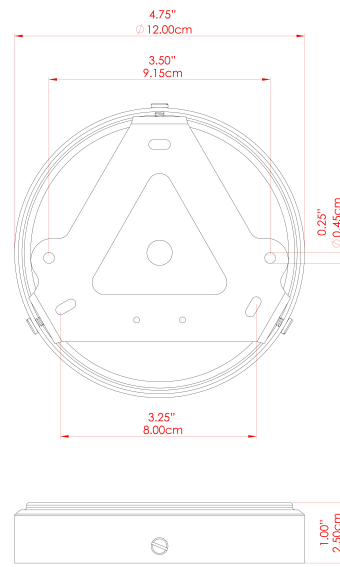
SAKURA Ceramic Wall Light

MLCMWL044ANTBRS Antique Brass



MATERIAL	Brass Ceramic
HEIGHT	31cm
WIDTH DIAMETER	11cm
LENGTH PROJECTION	18cm
WEIGHT	2 kg
LAMPHOLDER	E27
MAX WATTAGE	40W
VOLTAGE	220/240v
IP RATING	IP20
CLASS PROTECTION	Class I
SHADE	MLCS076 x2
FLEX BAR CHAIN LENGTH	n/a
CABLE TYPE	-

FIXING BRACKET: MLWB17 | Antique Brass



WWW.MULLANLIGHTING.COM

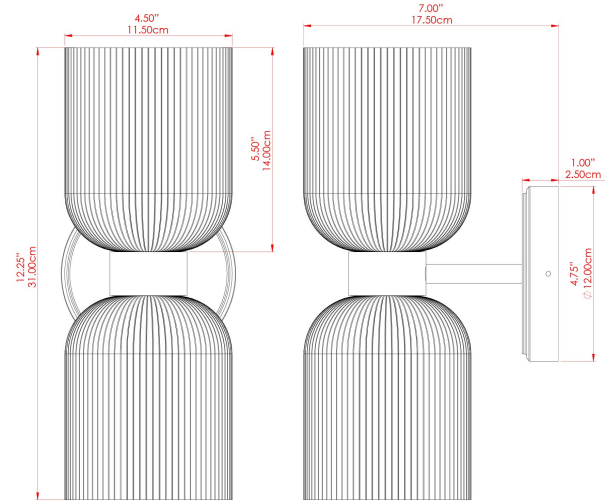
Product Notes:

1) Bulbs not included. 2) Dimensions do not include bulbs. 3) All products are individually made-to-order and therefore may differ slightly within manufacturing tolerances. 4) Cable / chain can be shortened during installation. Longer cable / chain lengths available on request. 5) Additional colour finishes may be available on request. 6) Refer to our website for a full list of terms and conditions.



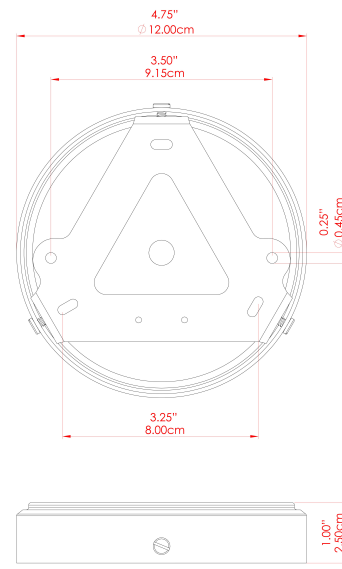
SAKURA Ceramic Wall Light

MLCMWL044ANTSLV Antique Silver



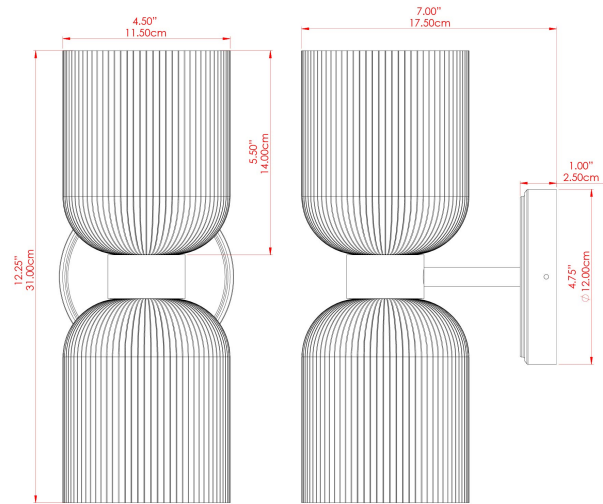
MATERIAL	Brass Ceramic
HEIGHT	31cm
WIDTH DIAMETER	11cm
LENGTH PROJECTION	18cm
WEIGHT	2 kg
LAMPHOLDER	E27
MAX WATTAGE	40W
VOLTAGE	220/240v
IP RATING	IP20
CLASS PROTECTION	Class I
SHADE	MLCS076 x2
FLEX BAR CHAIN LENGTH	n/a
CABLE TYPE	-

FIXING BRACKET: MLWB17| Antique Silver



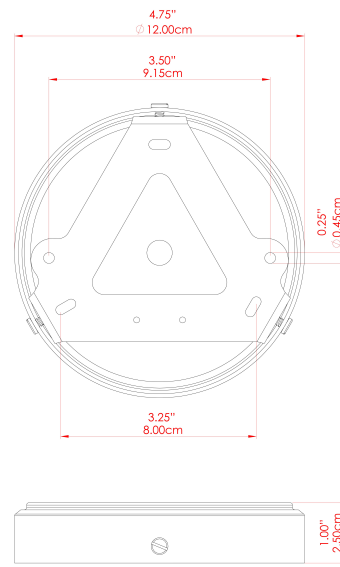
SAKURA Ceramic Wall Light

MLCMWL044PCMBK Matt Black



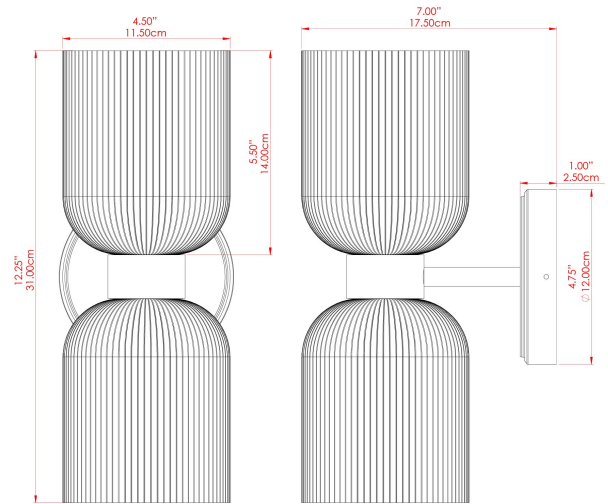
MATERIAL	Brass Ceramic
HEIGHT	31cm
WIDTH DIAMETER	11cm
LENGTH PROJECTION	18cm
WEIGHT	2 kg
LAMPHOLDER	E27
MAX WATTAGE	40W
VOLTAGE	220/240v
IP RATING	IP20
CLASS PROTECTION	Class I
SHADE	MLCS076 x2
FLEX BAR CHAIN LENGTH	n/a
CABLE TYPE	-

FIXING BRACKET: MLWB17



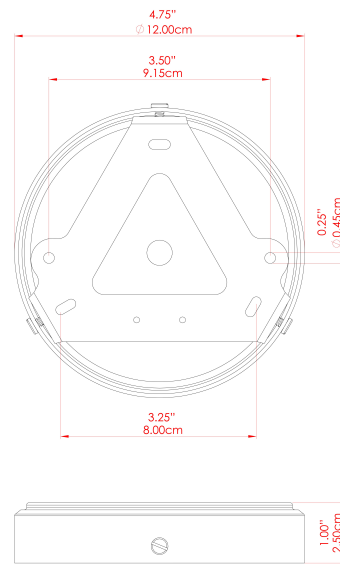
SAKURA Ceramic Wall Light

MLCMWL044POLBRS Polished Brass



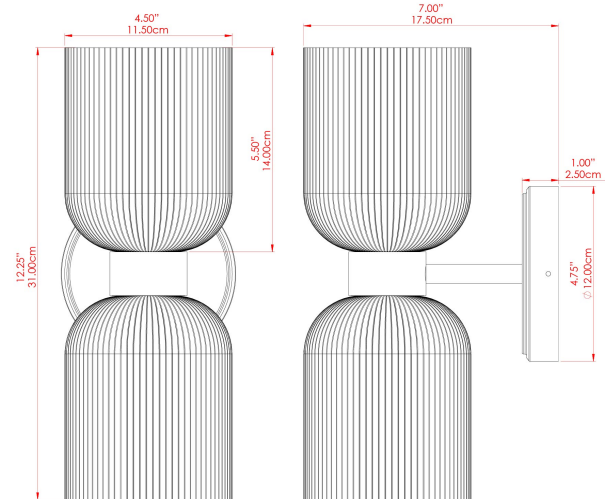
MATERIAL	Brass Ceramic
HEIGHT	31cm
WIDTH DIAMETER	11cm
LENGTH PROJECTION	18cm
WEIGHT	2 kg
LAMPHOLDER	E27
MAX WATTAGE	40W
VOLTAGE	220/240v
IP RATING	IP20
CLASS PROTECTION	Class I
SHADE	MLCS076 x2
FLEX BAR CHAIN LENGTH	n/a
CABLE TYPE	-

FIXING BRACKET: MLWB17 | Polished Brass



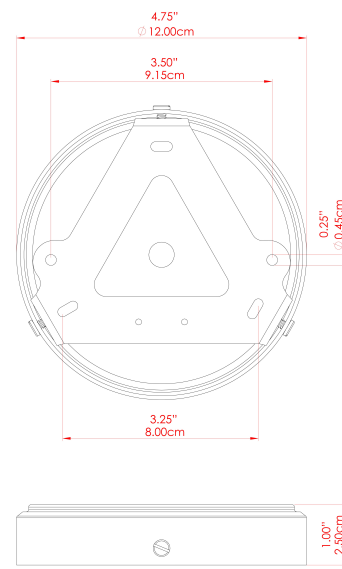
SAKURA Ceramic Wall Light

MLCMWL044SATBRS Satin Brass



MATERIAL	Brass Ceramic
HEIGHT	31cm
WIDTH DIAMETER	11cm
LENGTH PROJECTION	18cm
WEIGHT	2 kg
LAMPHOLDER	E27
MAX WATTAGE	40W
VOLTAGE	220/240v
IP RATING	IP20
CLASS PROTECTION	Class I
SHADE	MLCS076 x2
FLEX BAR CHAIN LENGTH	n/a
CABLE TYPE	-

FIXING BRACKET: MLWB17 | Satin Brass



WWW.MULLANLIGHTING.COM

Product Notes:

1) Bulbs not included. 2) Dimensions do not include bulbs. 3) All products are individually made-to-order and therefore may differ slightly within manufacturing tolerances. 4) Cable / chain can be shortened during installation. Longer cable / chain lengths available on request. 5) Additional colour finishes may be available on request. 6) Refer to our website for a full list of terms and conditions.

